



US00D688199S

(12) **United States Design Patent**
Behar et al.

(10) **Patent No.:** **US D688,199 S**

(45) **Date of Patent:** **** Aug. 20, 2013**

(54) **VEHICLE CHARGER**

(75) Inventors: **Yves Albert Behar**, San Francisco, CA (US); **Joshua Tree Morenstein**, San Francisco, CA (US); **Matthew John Malone**, Astoria, NY (US); **Jennifer Yoko Olson**, Brooklyn, NY (US); **Pichaya Puttorngul**, New York, NY (US); **Matthew David Swinton**, Brooklyn, NY (US)

(73) Assignee: **General Electric Company**, Schenectady, NY (US)

(**) Term: **14 Years**

(21) Appl. No.: **29/383,179**

(22) Filed: **Jan. 13, 2011**

(51) **LOC (9) Cl.** **13-02**

(52) **U.S. Cl.**
USPC **D13/107**

(58) **Field of Classification Search**
USPC D13/107–110, 118–119, 184, 199;
D14/251, 253, 432, 434; 320/103–115
See application file for complete search history.

(56) **References Cited**

U.S. PATENT DOCUMENTS

D237,718 S *	11/1975	Bozich	D13/139.5
D270,831 S *	10/1983	Jensen	D13/139.5
5,461,299 A *	10/1995	Bruni	320/108
D434,001 S *	11/2000	Sayger	D13/139.5
6,362,594 B2 *	3/2002	Kajiura	320/104
D597,937 S *	8/2009	Haw et al.	D13/107
D608,731 S *	1/2010	Amit	D13/107
D608,733 S *	1/2010	Smith	D13/107
D613,683 S *	4/2010	Baxter et al.	D13/107
D618,168 S *	6/2010	Baxter et al.	D13/107
D628,960 S *	12/2010	Shimizu et al.	D13/107

D629,747 S *	12/2010	Rajakaruna	D13/107
D639,733 S *	6/2011	Liu et al.	D13/107
D641,316 S *	7/2011	Schneiderat	D13/107
2010/0320966 A1 *	12/2010	Baxter et al.	320/109
2011/0140656 A1 *	6/2011	Starr et al.	320/109
2011/0145141 A1 *	6/2011	Blain	705/39
2011/0174875 A1 *	7/2011	Wurzer	235/380

* cited by examiner

Primary Examiner — Rosemary K Tarcza

(74) *Attorney, Agent, or Firm* — Cantor Colburn LLP

(57) **CLAIM**

We claim, the ornamental design for a vehicle charger, as shown and described.

DESCRIPTION

FIG. 1 is a perspective view of a first embodiment the invention;
FIG. 2 is a front view of the embodiment of FIG. 1;
FIG. 3 is a rear view of the embodiment of FIG. 1;
FIG. 4 is a side view of the embodiment of FIG. 1, the opposite side being a mirror image thereof;
FIG. 5 is a top view of the embodiment of FIG. 1; and,
FIG. 6 is a bottom view of the embodiment of FIG. 1.

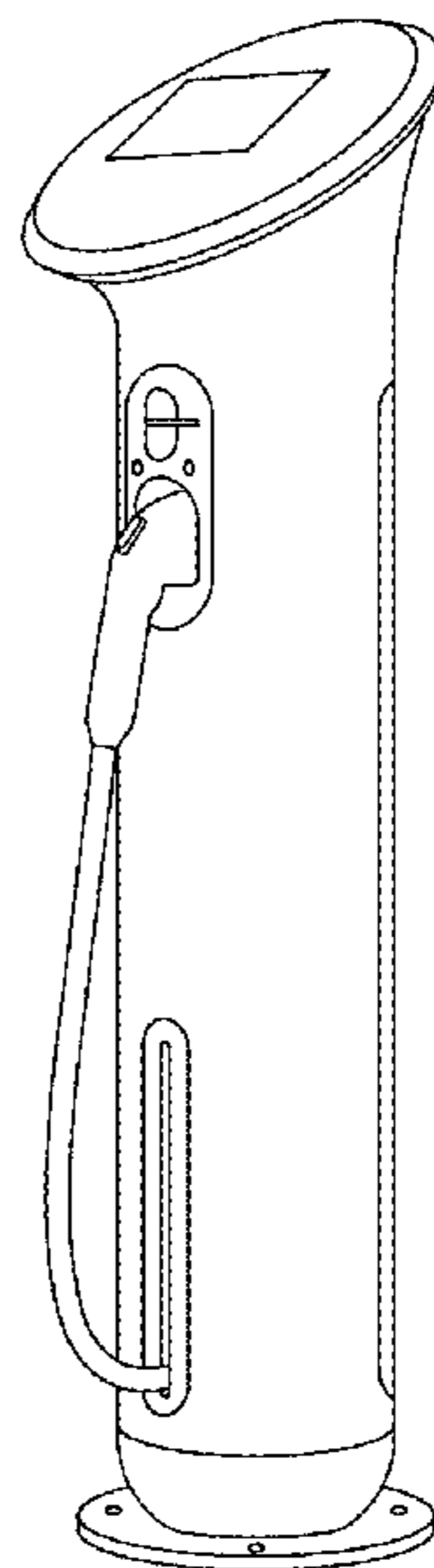
The phantom lines shown in FIG. 1-FIG. 6 are environmental and not part of the claimed design.

The color and shading of the vehicle charger forms no part of the claimed design, the vehicle charger according to the claimed design may be any color or combination of colors.

The surface treatment of the vehicle charger forms no part of the claimed design, the vehicle charger of the claimed design may have any surface treatment.

References to “side”, “top”, “front”, “rear” and “bottom” in the figure descriptions are not meant to require certain in-use orientation; a vehicle charger according to the claimed design may be used in any orientation.

1 Claim, 6 Drawing Sheets



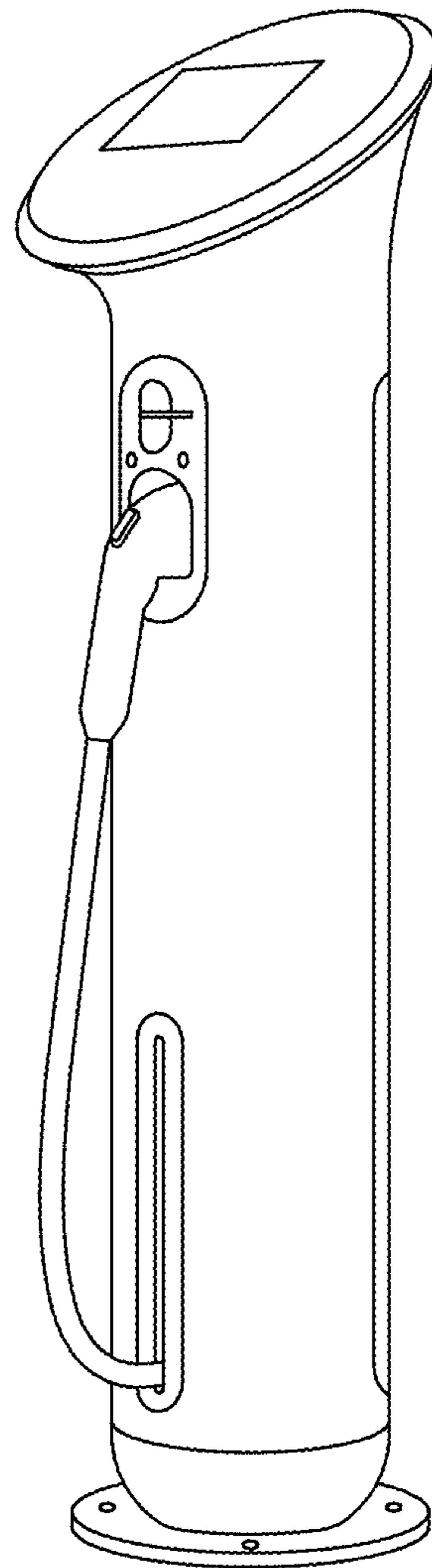


FIG. 1

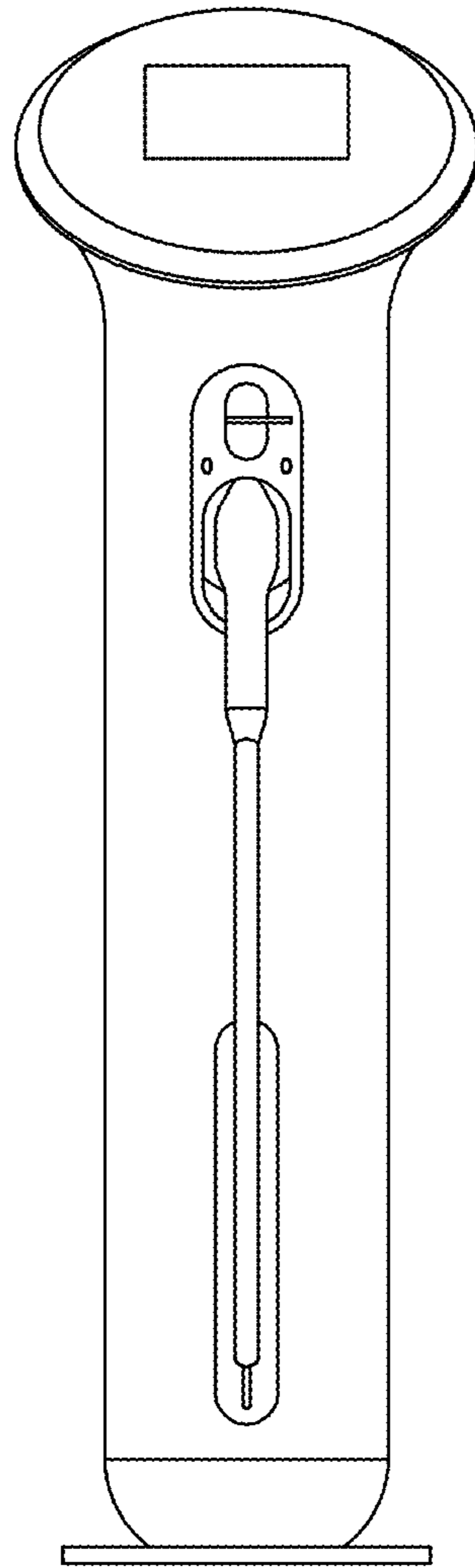


FIG. 2

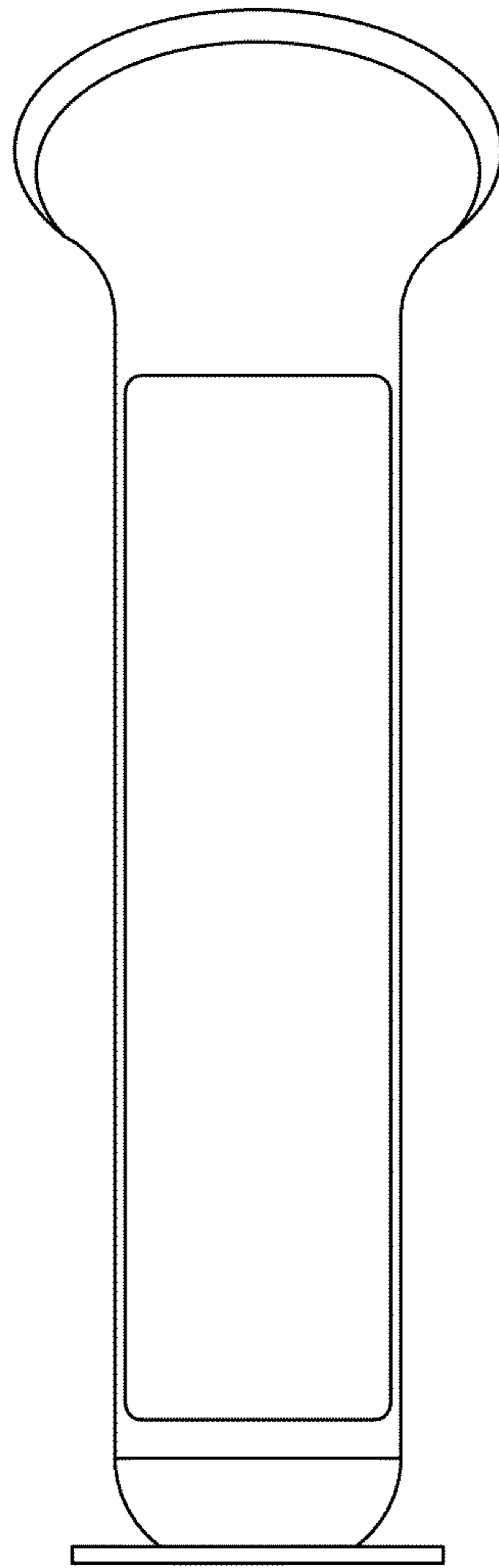


FIG. 3

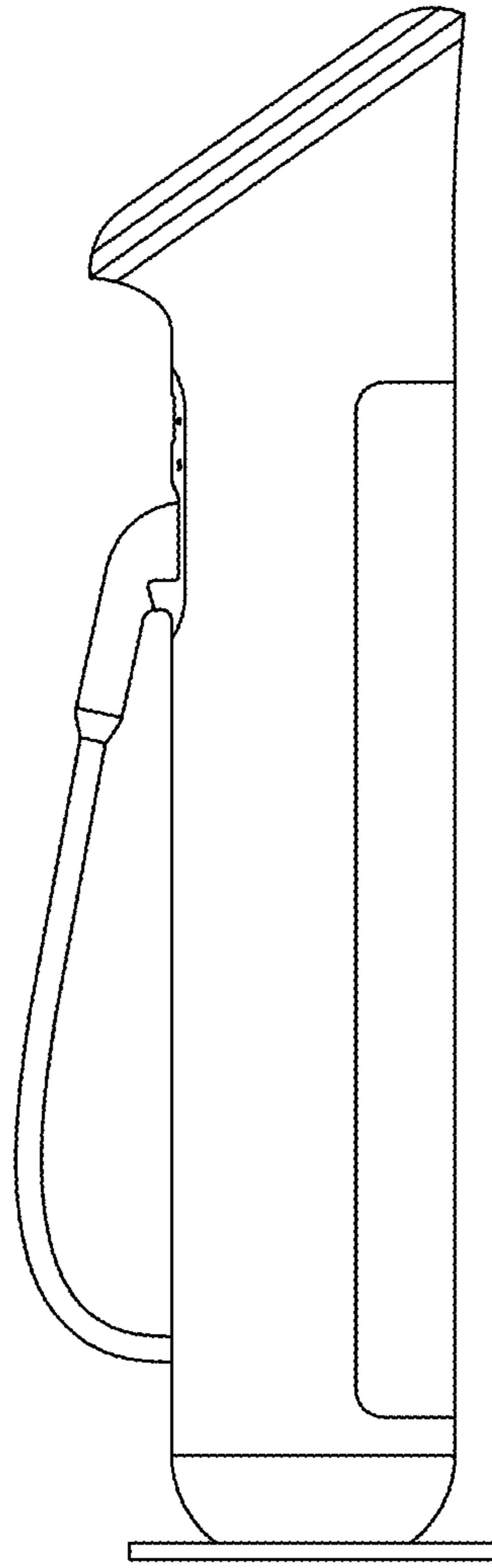


FIG. 4

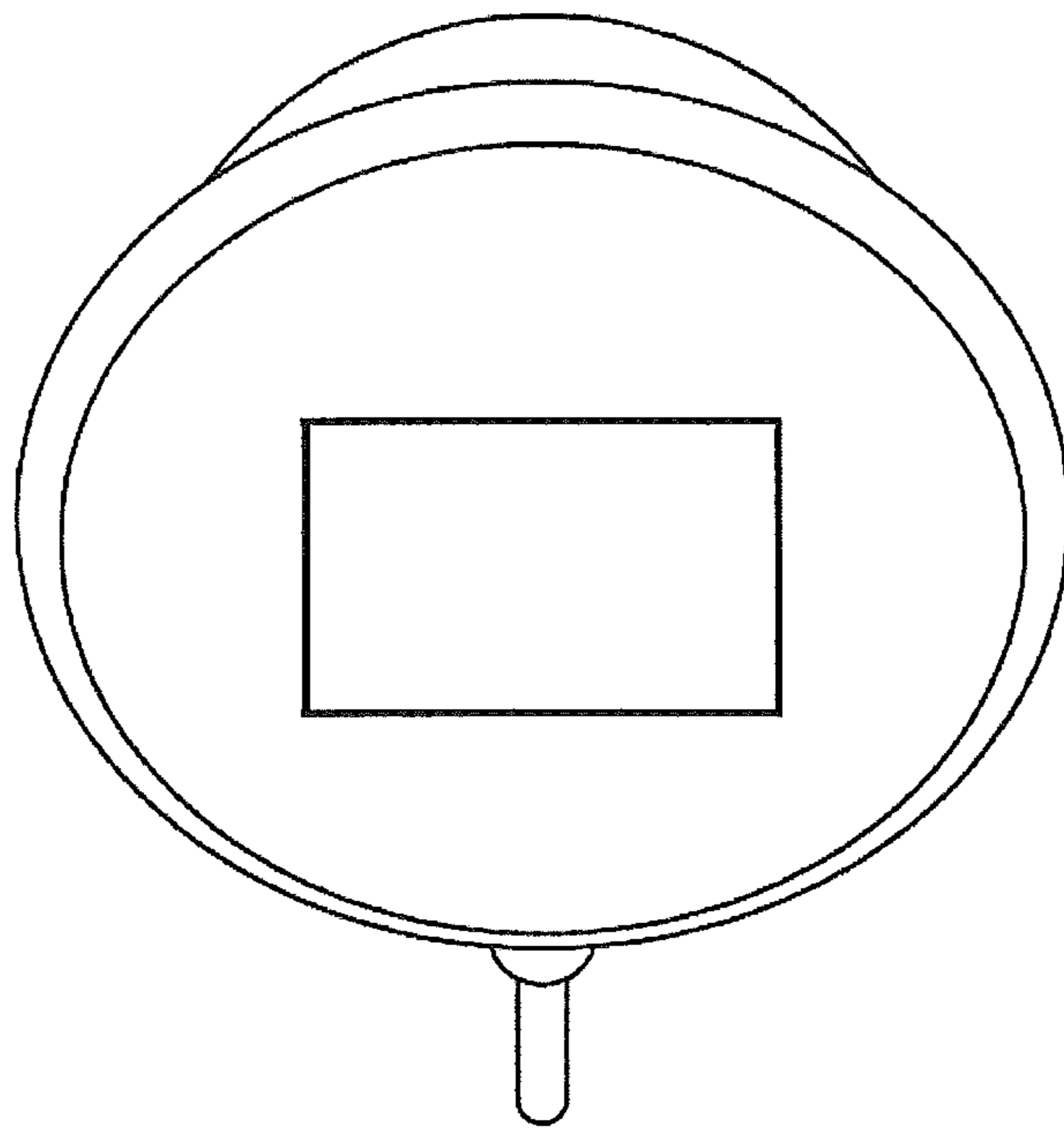


FIG. 5

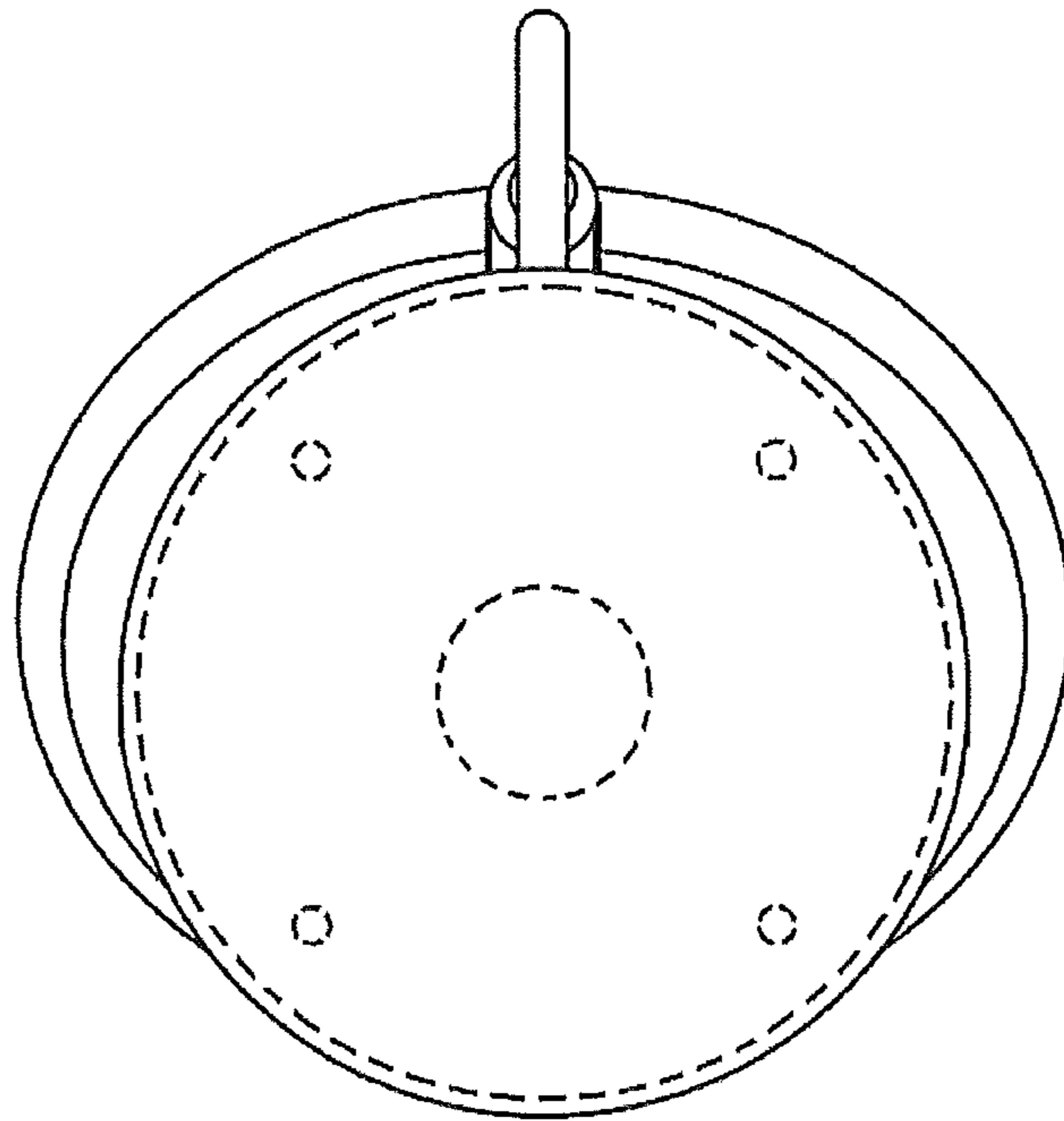


FIG. 6