



US00D688198S

(12) **United States Design Patent**  
**Takeshita et al.**

(10) **Patent No.:** **US D688,198 S**

(45) **Date of Patent:** **\*\* Aug. 20, 2013**

(54) **BATTERY**

(75) Inventors: **Toshio Takeshita**, Tokyo (JP); **Yoichi Miyajima**, Tokyo (JP); **Atsushi Takahashi**, Tokyo (JP); **Hiroaki Sato**, Tokyo (JP)

(73) Assignee: **Sony Corporation**, Tokyo (JP)

(\*\*) Term: **14 Years**

(21) Appl. No.: **29/365,962**

(22) Filed: **Jul. 16, 2010**

**Related U.S. Application Data**

(60) Continuation of application No. 29/340,569, filed on Jul. 21, 2009, now Pat. No. Des. 619,959, which is a division of application No. 29/254,895, filed on Mar. 2, 2006, now Pat. No. Des. 208,276.

(30) **Foreign Application Priority Data**

Sep. 2, 2005	(JP)	2005-025527
Sep. 2, 2005	(JP)	2005-025528
Sep. 30, 2005	(CN)	2005 3 0129131
Sep. 30, 2005	(CN)	2005 3 0129138

(51) **LOC (9) Cl.** ..... **13-02**

(52) **U.S. Cl.**  
USPC ..... **D13/103**

(58) **Field of Classification Search**  
USPC ..... D13/102-106, 110, 118-121, 184,  
D13/199; 429/96-100, 163, 176, 187  
See application file for complete search history.

(56) **References Cited**

U.S. PATENT DOCUMENTS

D243,618	S	*	3/1977	Kaye	.....	D13/103
D250,528	S	*	12/1978	Kaye	.....	D13/103
D250,529	S	*	12/1978	Kaye	.....	D13/103
D250,530	S	*	12/1978	Kaye	.....	D13/103
D303,524	S		9/1989	Siegner et al.		
D362,424	S	*	9/1995	Sumita et al.	.....	D13/103

(Continued)

FOREIGN PATENT DOCUMENTS

JP D1163314 11/2002

OTHER PUBLICATIONS

U.S. Appl. No. 29/254,889, filed Mar. 2, 2006, Takeshita, et al.

*Primary Examiner* — Rosemary K Tarcza

(74) *Attorney, Agent, or Firm* — Oblon, Spivak, McClelland, Maier & Neustadt, L.L.P.

(57) **CLAIM**

The ornamental design for a battery, as shown and described.

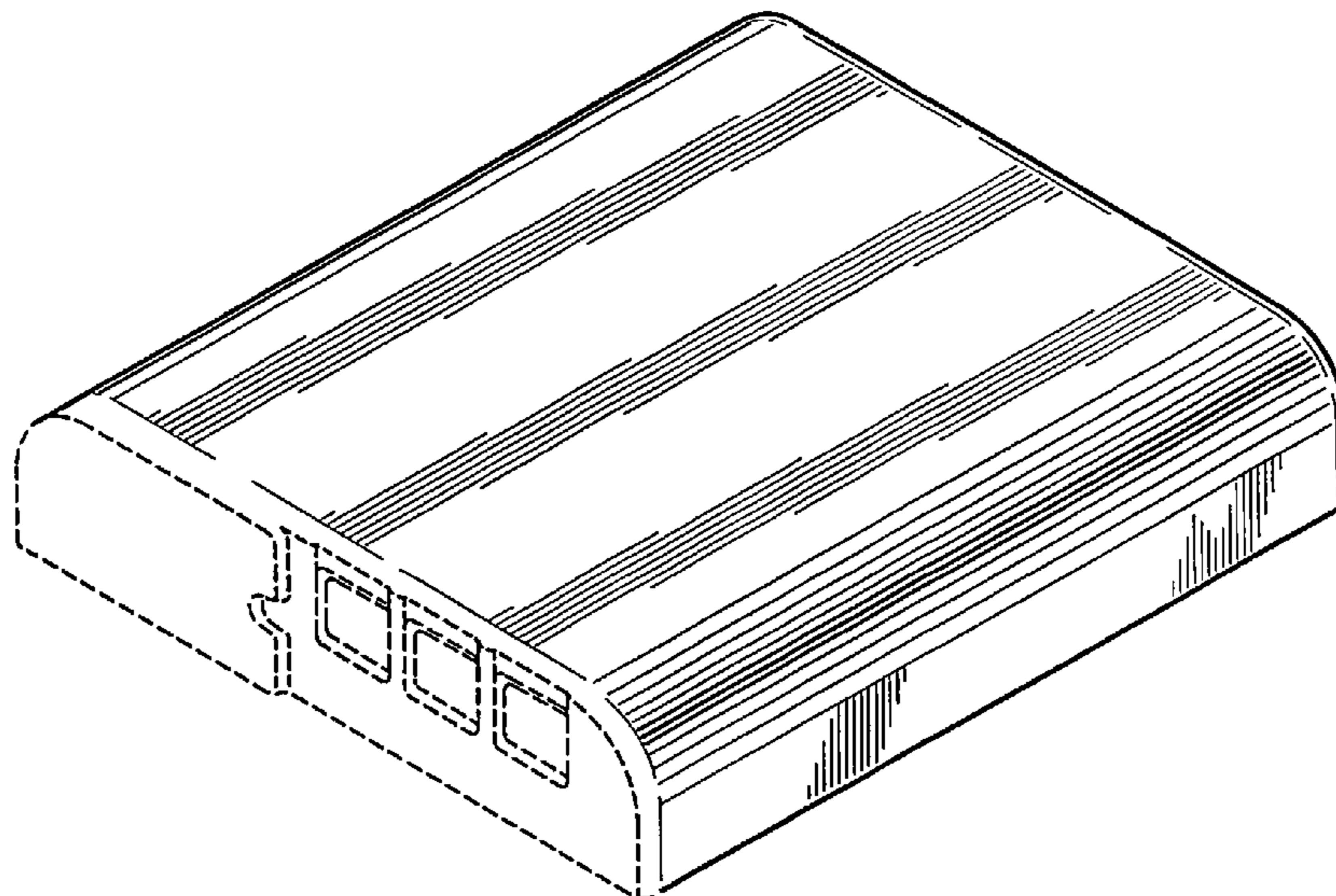
**DESCRIPTION**

FIG. 1 is a top and right front perspective view of a first embodiment of a battery, showing our design; FIG. 2 is a front elevational view of the first embodiment; FIG. 3 is a rear elevational view of the first embodiment; FIG. 4 is a left side elevational view of the first embodiment; FIG. 5 is a right side elevational view of the first embodiment; FIG. 6 is a top plan view of the first embodiment, rotated ninety degrees clockwise; and, FIG. 7 is a bottom plan view of the first embodiment, rotated ninety degrees counterclockwise.

The phantom lines shown in the figures of the first and third embodiments are shown for illustrative purposes only and form no part of the claimed design of their respective embodiment.

The design of the present application is directed to a battery that can be used, for example, in a camera or camcorder.

**1 Claim, 3 Drawing Sheets**



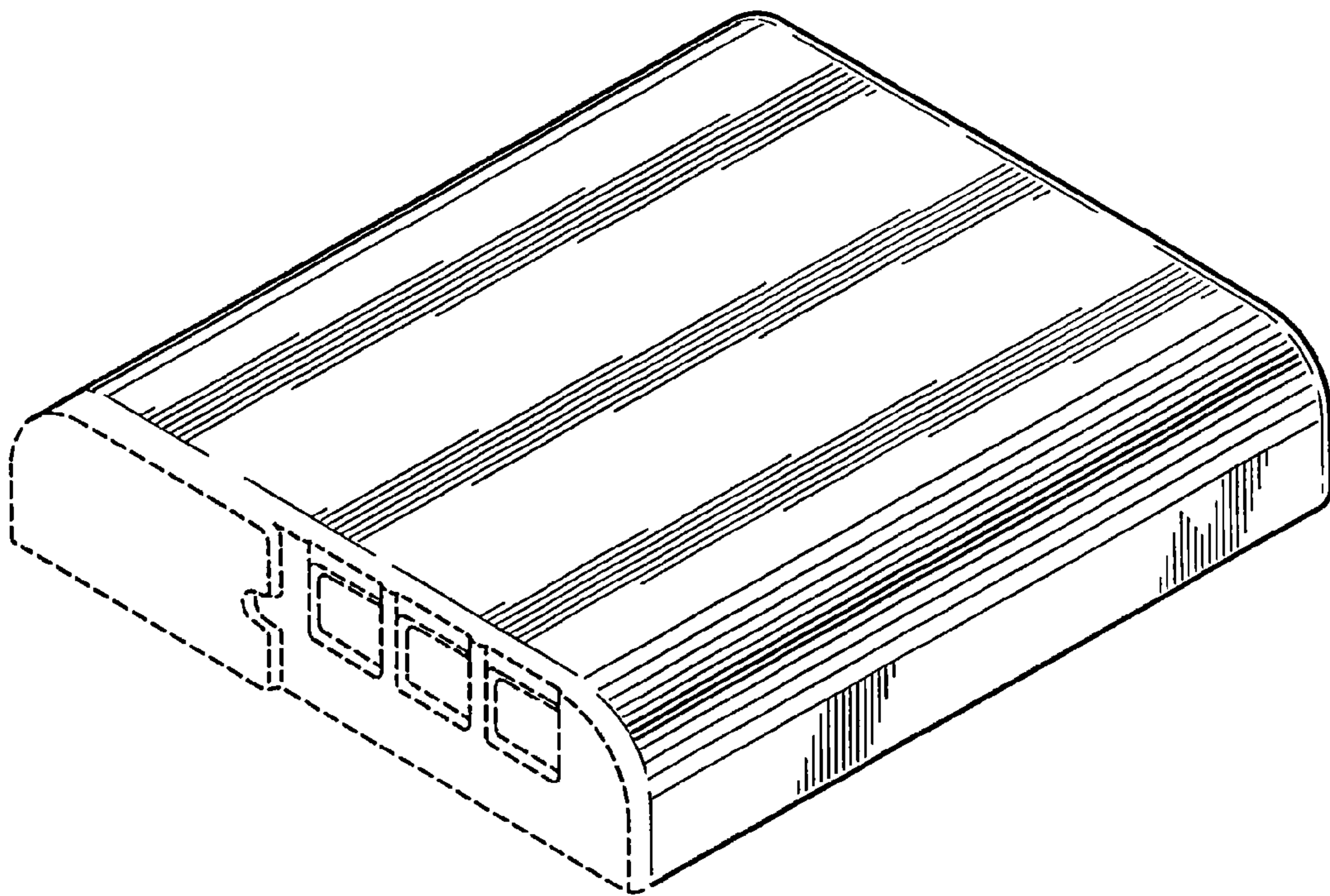
(56)

References Cited

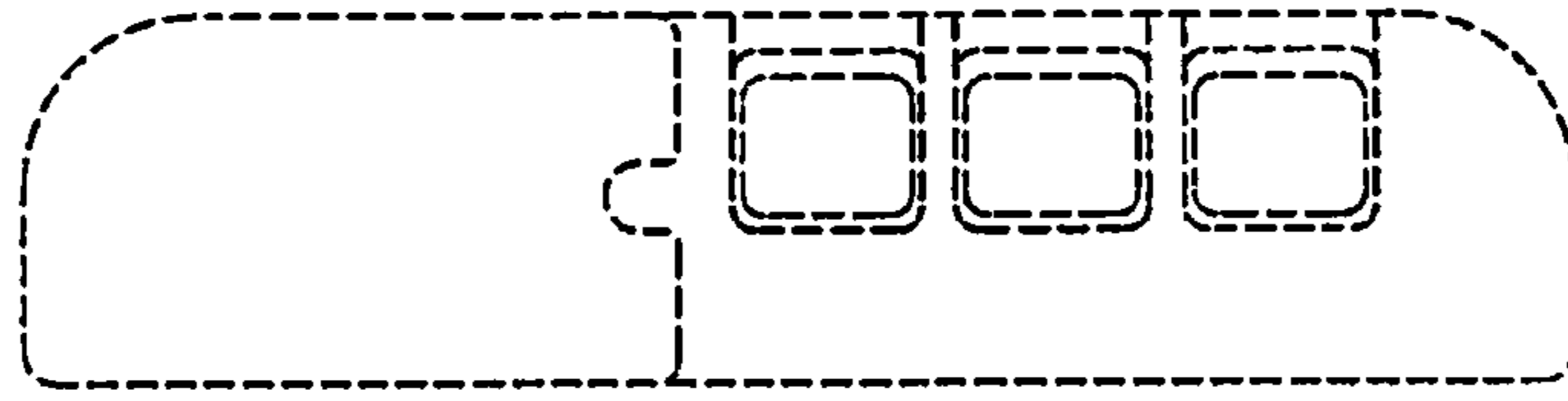
U.S. PATENT DOCUMENTS

D383,725 S *	9/1997	Settsu .....	D13/103	D521,447 S	5/2006	Ono et al.	
D387,727 S *	12/1997	Settsu et al. ....	D13/103	D522,451 S *	6/2006	Hayes et al.	
D403,656 S *	1/1999	Ichikawa .....	D13/103	D529,437 S	10/2006	Miyashita	
D417,188 S *	11/1999	Maeyama .....	D13/103	D556,680 S	12/2007	Matsumoto	
D428,384 S *	7/2000	Maeyama .....	D13/103	D580,852 S *	11/2008	Heinzen et al. ....	D13/103
D432,982 S *	10/2000	Miyashita .....	D13/103	D586,742 S *	2/2009	Song .....	D13/103
D439,877 S	4/2001	Vacheron et al.		D588,058 S *	3/2009	Obata .....	D13/103
D473,186 S *	4/2003	Grosfeld et al. ....	D13/103	D590,334 S *	4/2009	Tatehata et al. ....	D13/103
D503,673 S	4/2005	Rosengrant		D590,337 S *	4/2009	Tatehata et al. ....	D13/103
D503,922 S *	4/2005	Shimizu .....	D13/103	D590,769 S	4/2009	Tatehata et al.	
D506,065 S *	6/2005	Sugino et al. ....	D3/294	D592,130 S *	5/2009	Tatehata et al. ....	D13/103
D509,182 S *	9/2005	Takeshita et al. ....	D13/103	D594,402 S *	6/2009	Inoue et al. ....	D13/103
D512,018 S *	11/2005	Matsuda et al. ....	D13/103	D597,483 S	8/2009	Wahl et al.	
D515,499 S *	2/2006	Matsuda et al. ....	D13/103	D601,494 S *	10/2009	Otani et al. ....	D13/103
D516,018 S *	2/2006	Ohsako et al. ....	D13/103	D608,276 S *	1/2010	Takeshita et al. ....	D13/103
D516,019 S *	2/2006	Ohsako et al. ....	D13/103	D616,397 S *	5/2010	Tai .....	D13/184
D516,503 S *	3/2006	Takeshita et al. ....	D13/103	D618,171 S *	6/2010	Tatehata et al. ....	D13/119
				D619,959 S *	7/2010	Takeshita et al. ....	D13/103

\* cited by examiner



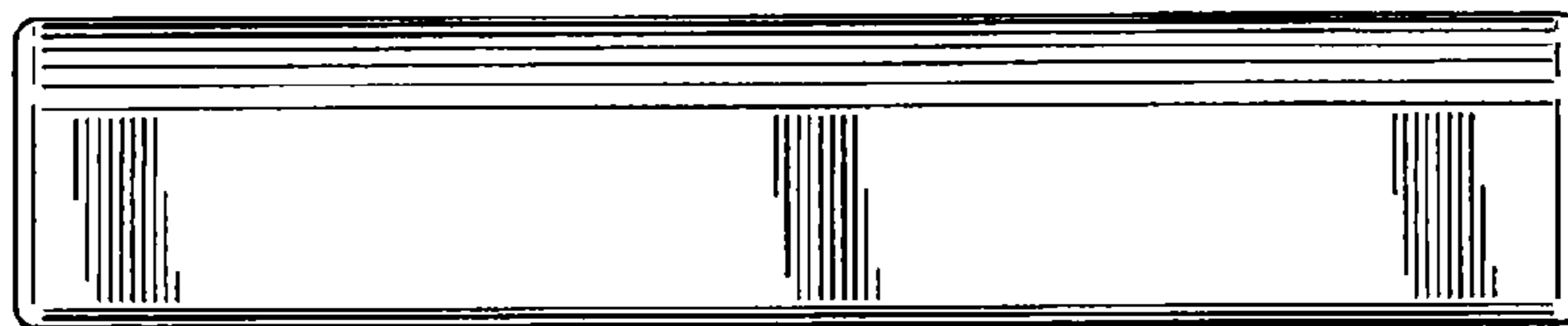
*Fig. 1*



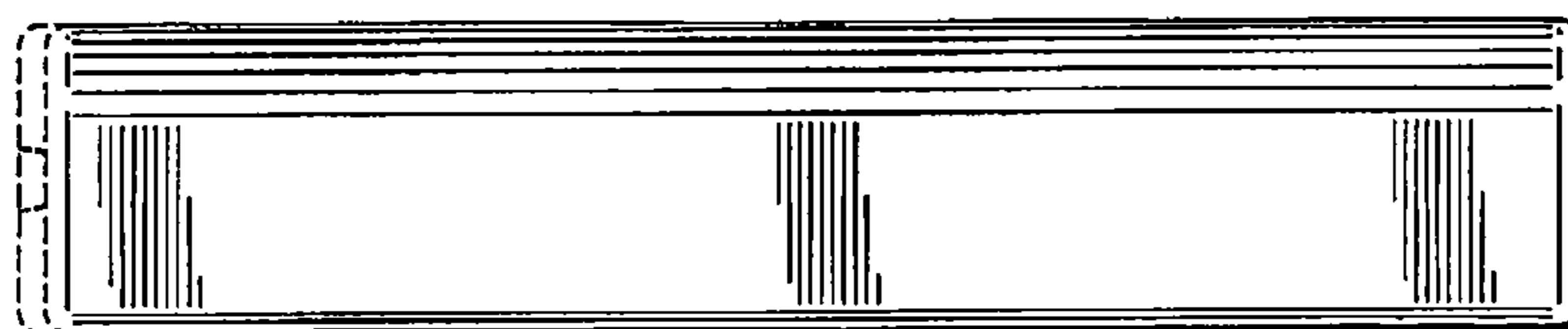
*Fig. 2*



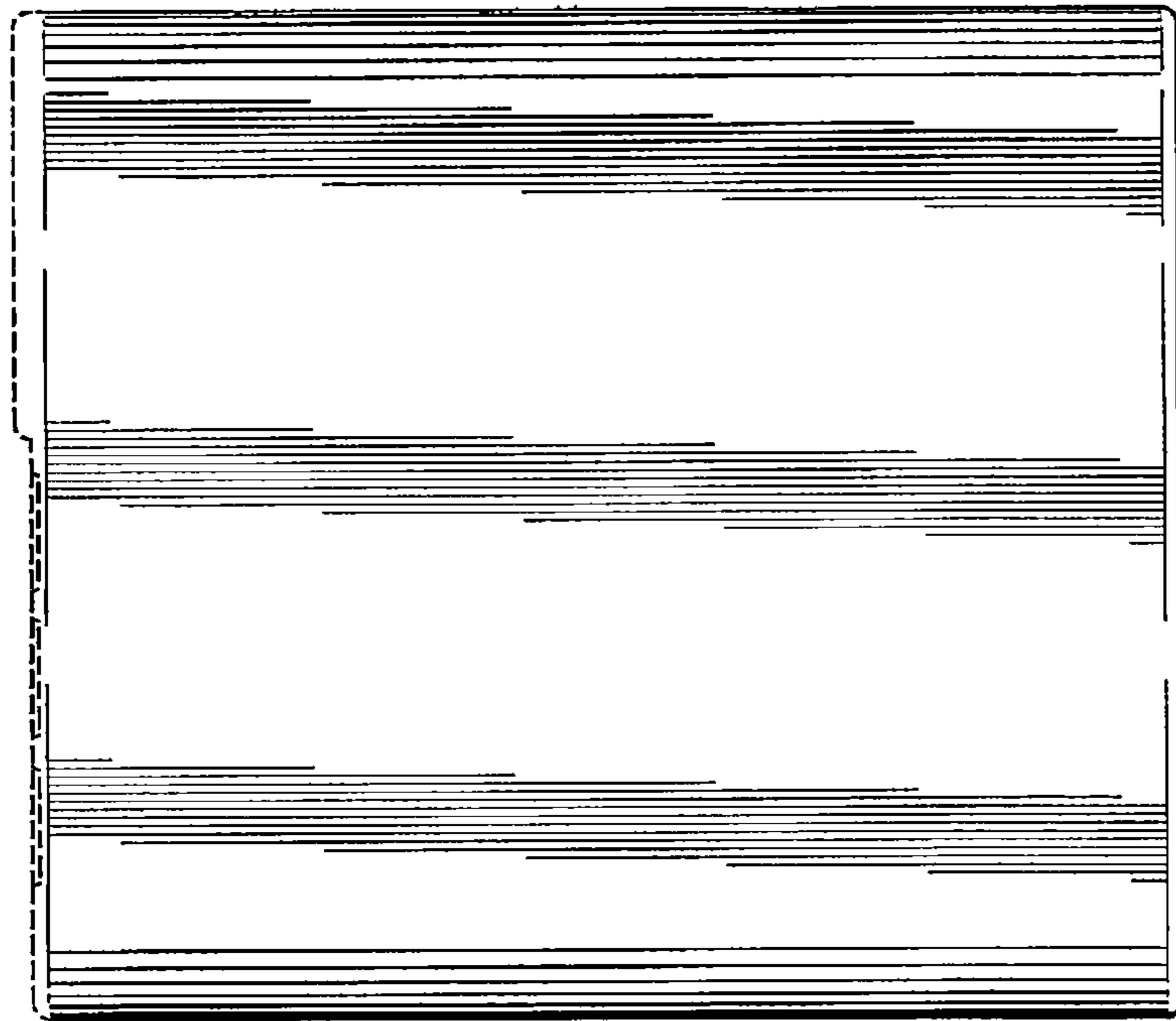
*Fig. 3*



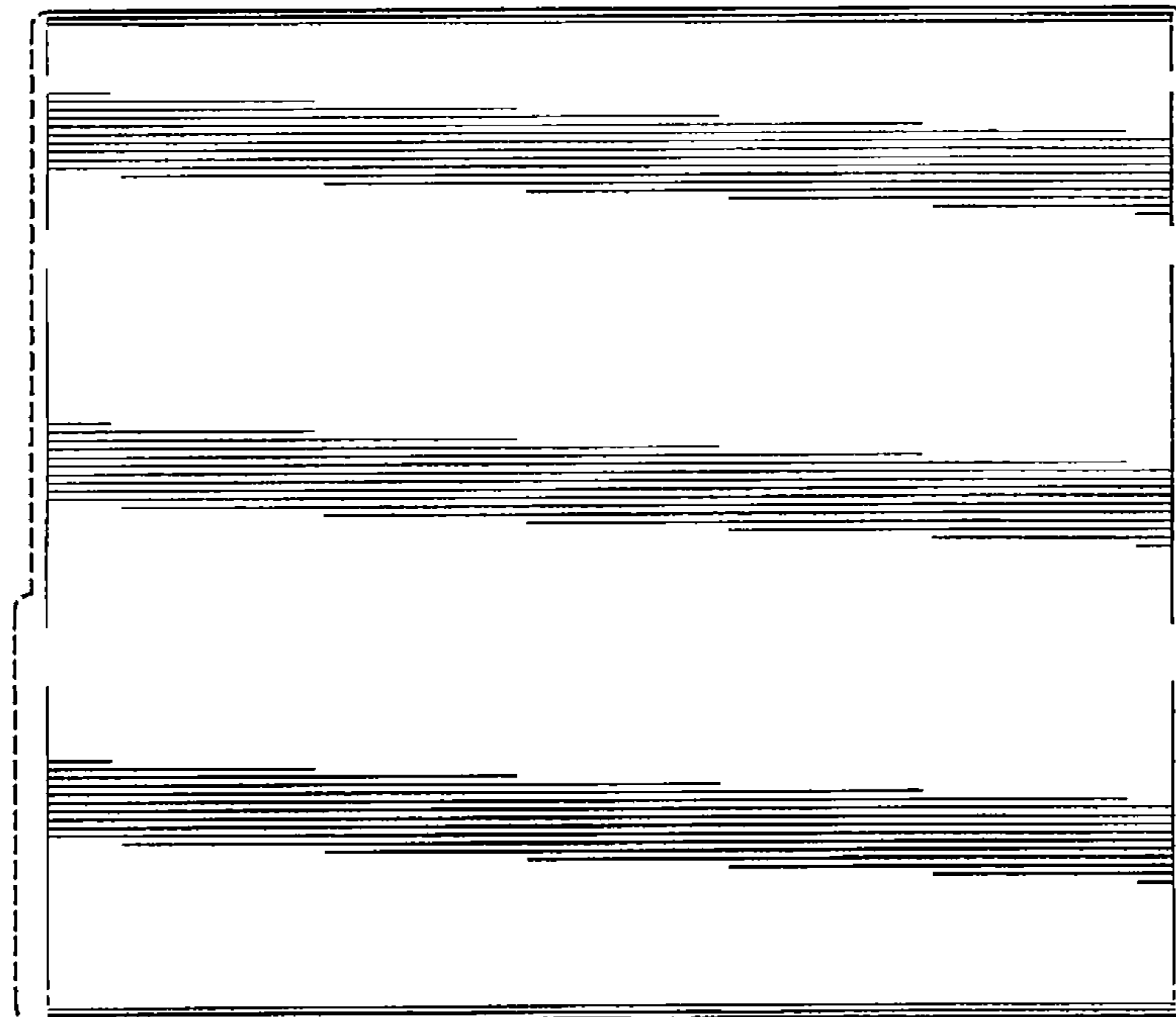
*Fig. 4*



*Fig. 5*



*Fig. 6*



*Fig. 7*