



US00D688195S

(12) **United States Design Patent**  
**Robinson et al.**

(10) **Patent No.:** **US D688,195 S**  
(45) **Date of Patent:** **\*\* Aug. 20, 2013**

(54) **PAIR OF MOTORCYCLE SIDE BAGS**

FOREIGN PATENT DOCUMENTS

(75) Inventors: **Adam J. Robinson**, Spencerville, IN (US); **Derk J. Hinsey**, Fort Wayne, IN (US)

WO 2010082914 A1 7/2010

(73) Assignee: **Bad Dad Custom Motorcycle Finishes, Inc.**, Fort Wayne, IN (US)

OTHER PUBLICATIONS

J & P Cycles 2009 Metric Cruiser catalog, National Cycle® CruiseLiner™ Hard Saddlebags on p. 310.\*  
J & P Cycles® 2010 Parts & Accessories catalog for your 1936-2010 Harley-Davidson® Motorcycle, T-Bags® at top of p. 913.\*

(\*\*) Term: **14 Years**

\* cited by examiner

(21) Appl. No.: **29/412,171**

*Primary Examiner* — Susan M Lee

(22) Filed: **Jan. 31, 2012**

*Assistant Examiner* — Linda G Brooks

(51) **LOC (9) Cl.** ..... **12-11**

(74) *Attorney, Agent, or Firm* — Brooks Kushman P.C.

(52) **U.S. Cl.**  
USPC ..... **D12/409**

(57) **CLAIM**

The ornamental design for a pair of motorcycle side bags, as shown and described.

(58) **Field of Classification Search**  
USPC ..... D12/406-410, 110, 114; 180/219, 180/220; 296/37.1; 224/42.11, 412-435; D3/231; 280/288.4

**DESCRIPTION**

See application file for complete search history.

FIG. 1 is a rear view of a pair of motorcycle side bags showing our design;

FIG. 2 is a front view thereof;

FIG. 3 is a left side view thereof;

FIG. 4 is a right side view thereof;

FIG. 5 is a top view thereof; and,

FIG. 6 is a perspective view thereof.

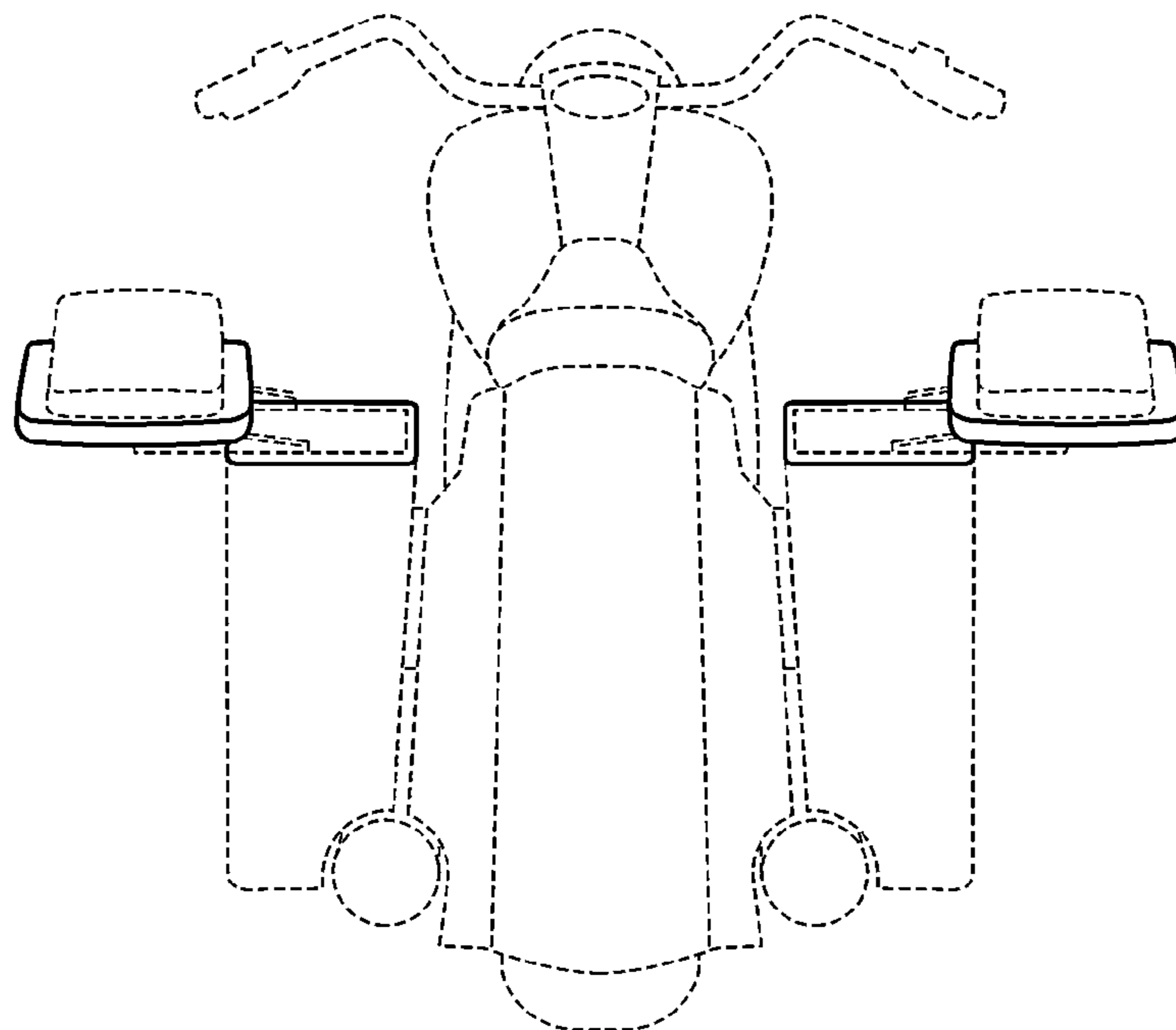
The structure shown in broken lines does not form part of the claimed design.

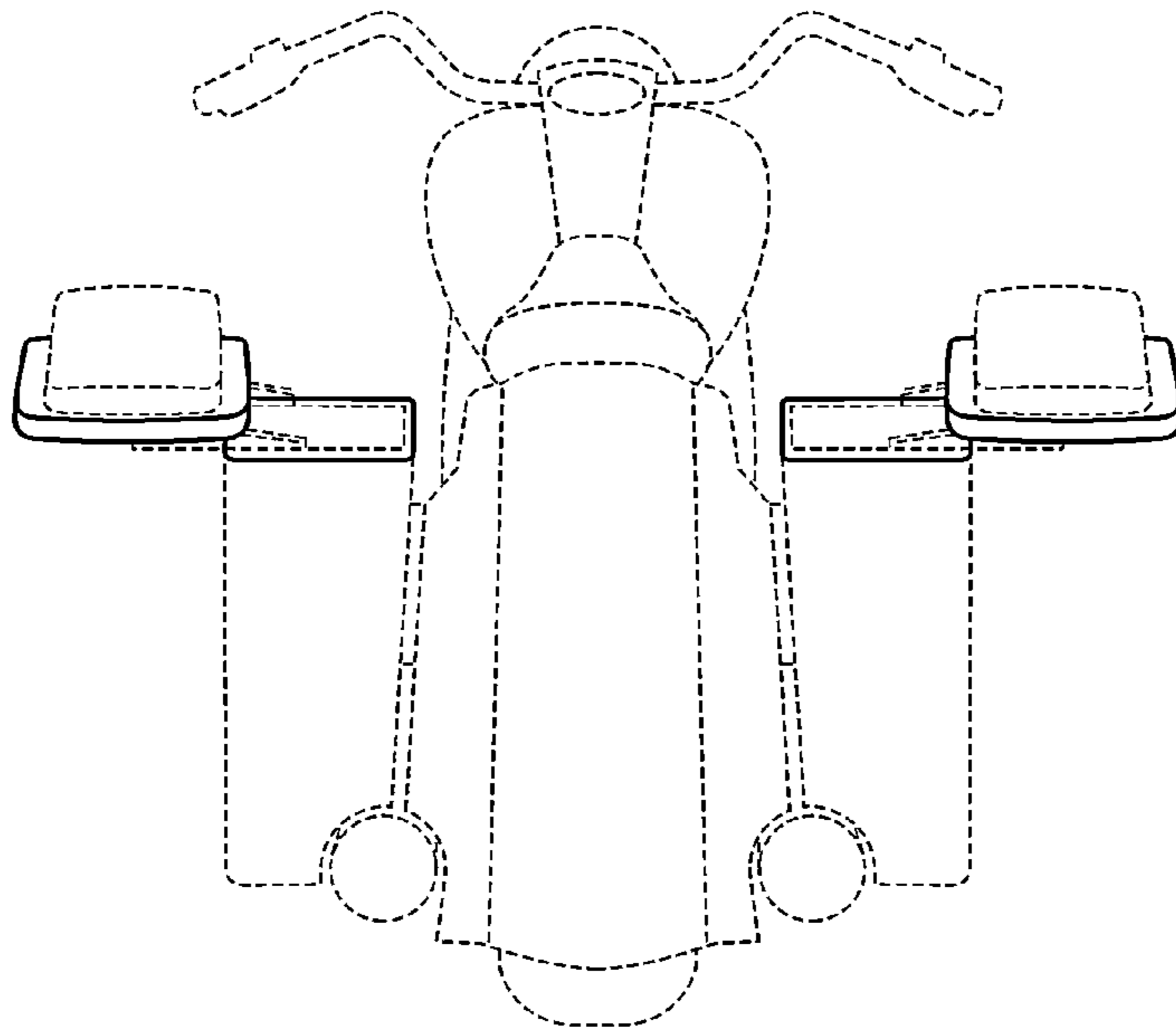
(56) **References Cited**

U.S. PATENT DOCUMENTS

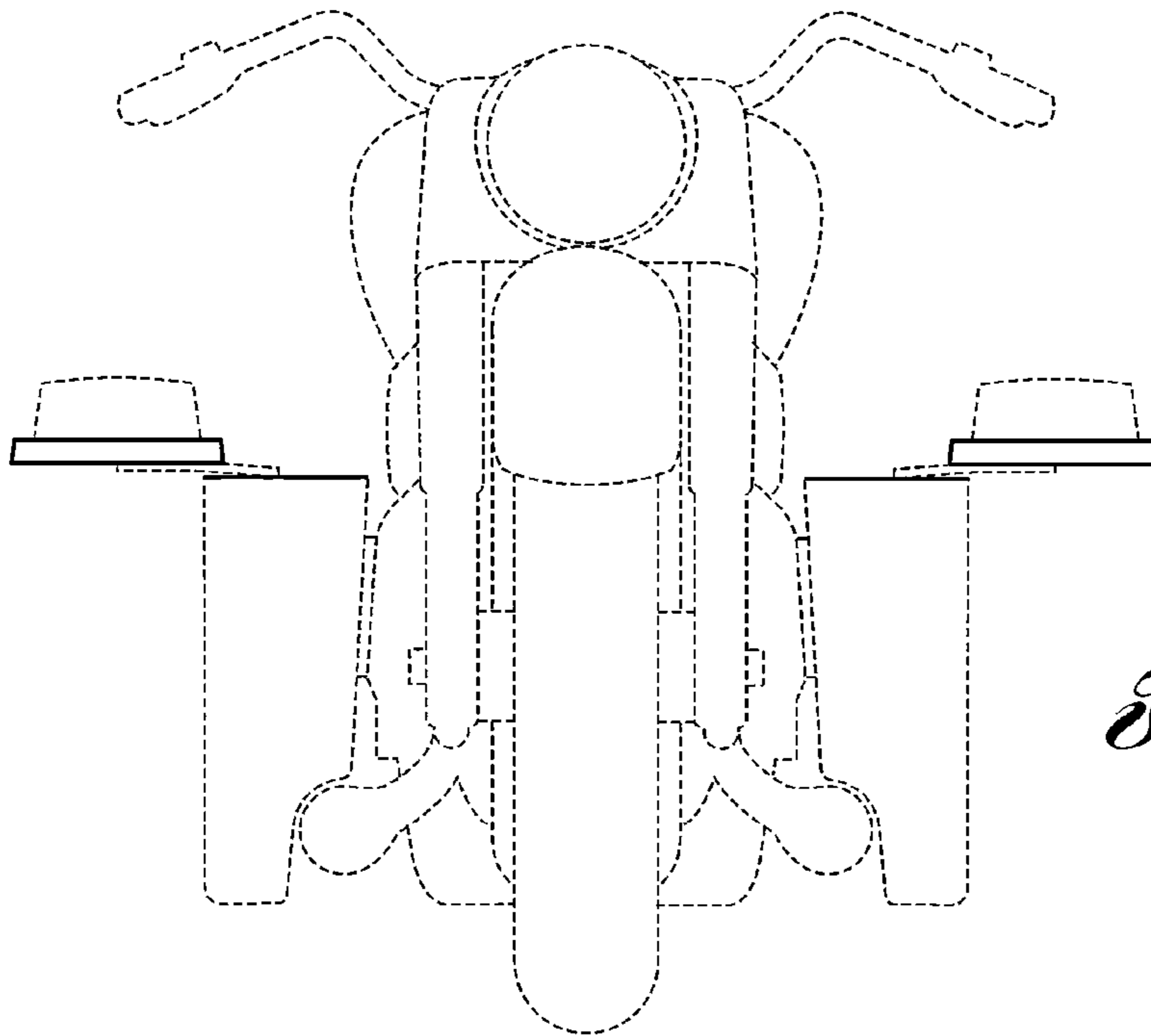
D200,144 S *	1/1965	Marchello	.....	D12/401
D450,632 S *	11/2001	Morgan	.....	D12/114
D461,748 S *	8/2002	Morgan	.....	D12/114
6,505,765 B1 *	1/2003	Proctor et al.	.....	224/413
2004/0118889 A1	6/2004	Hamilton		

**1 Claim, 3 Drawing Sheets**

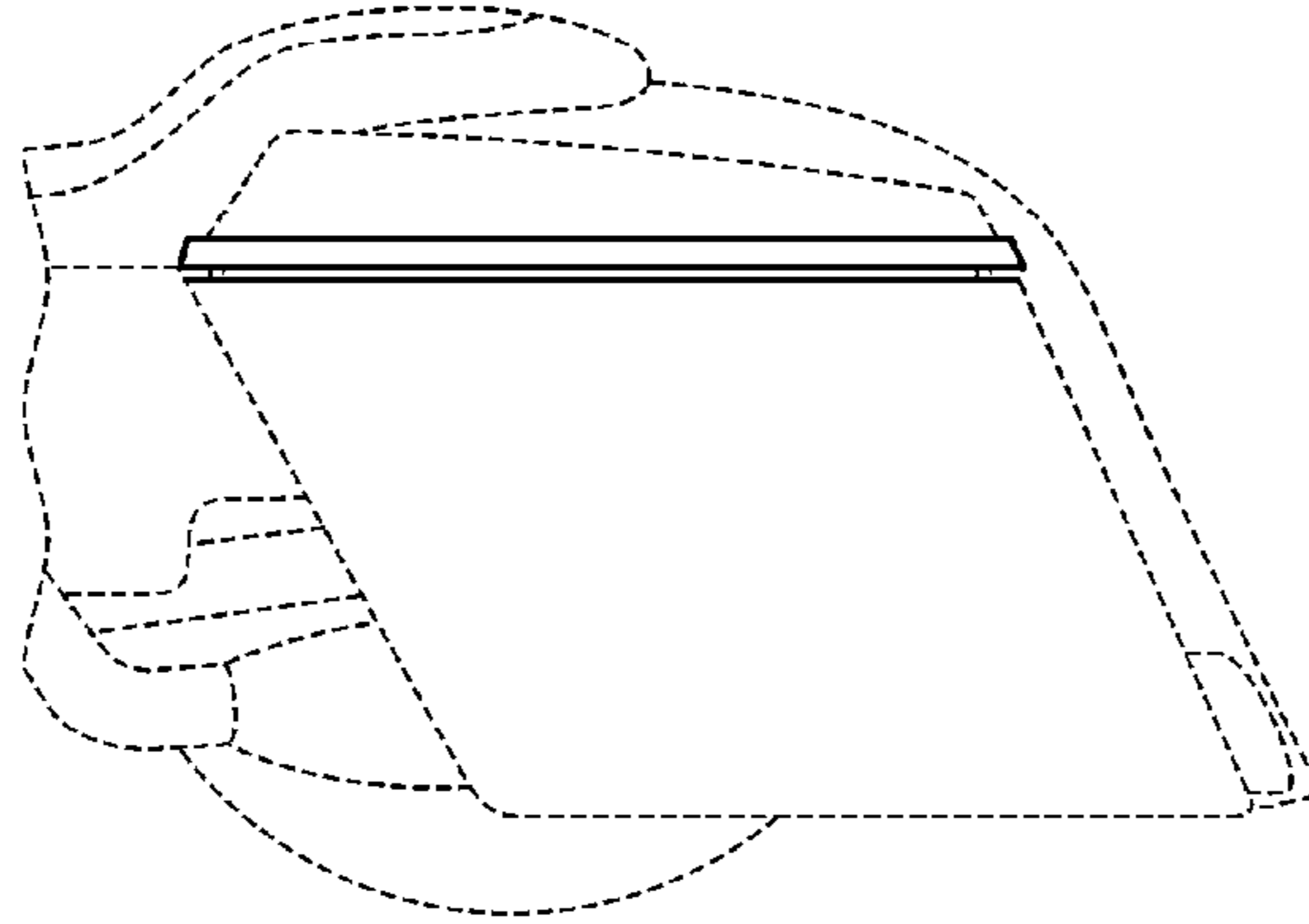




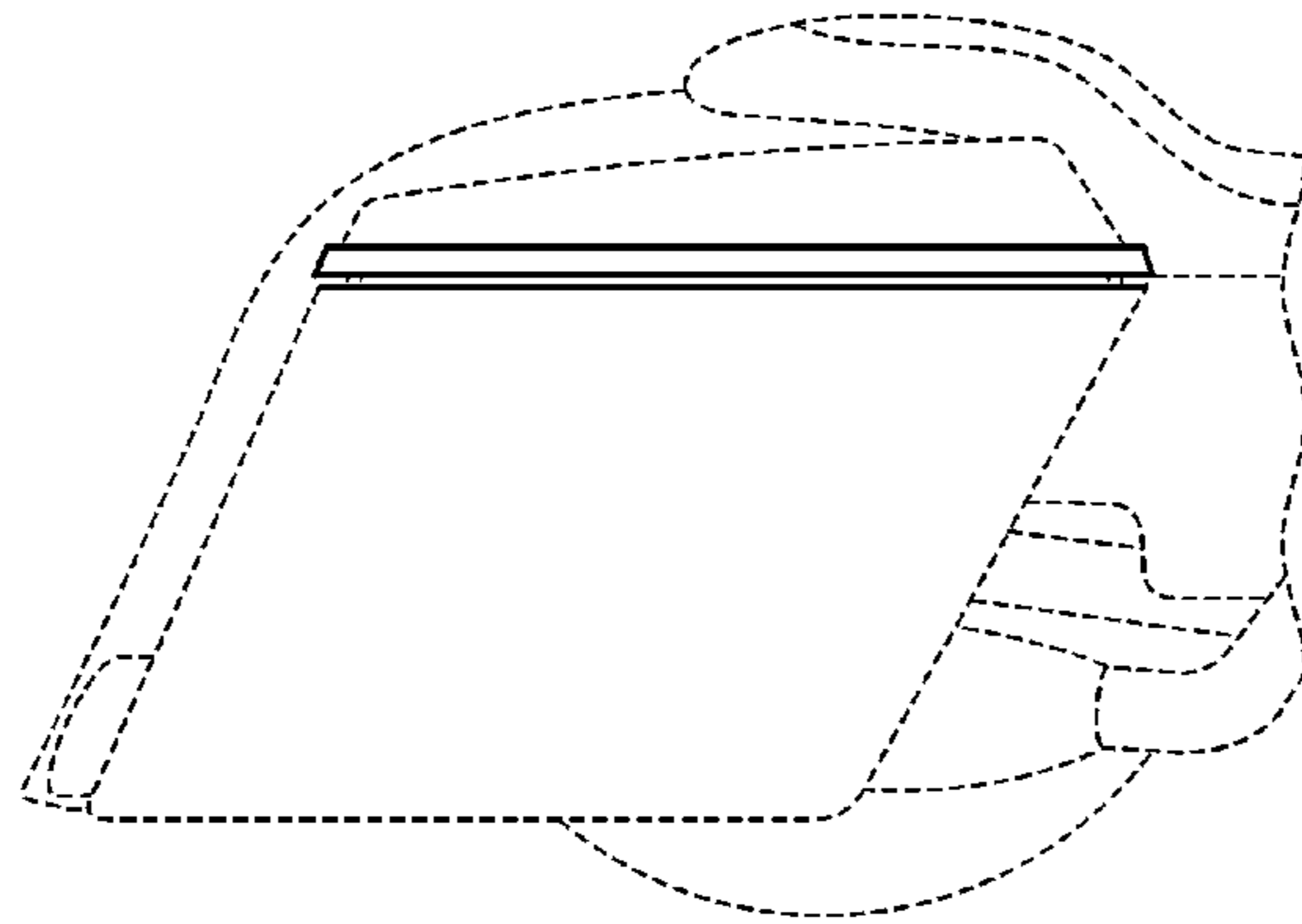
*Fig. 1*



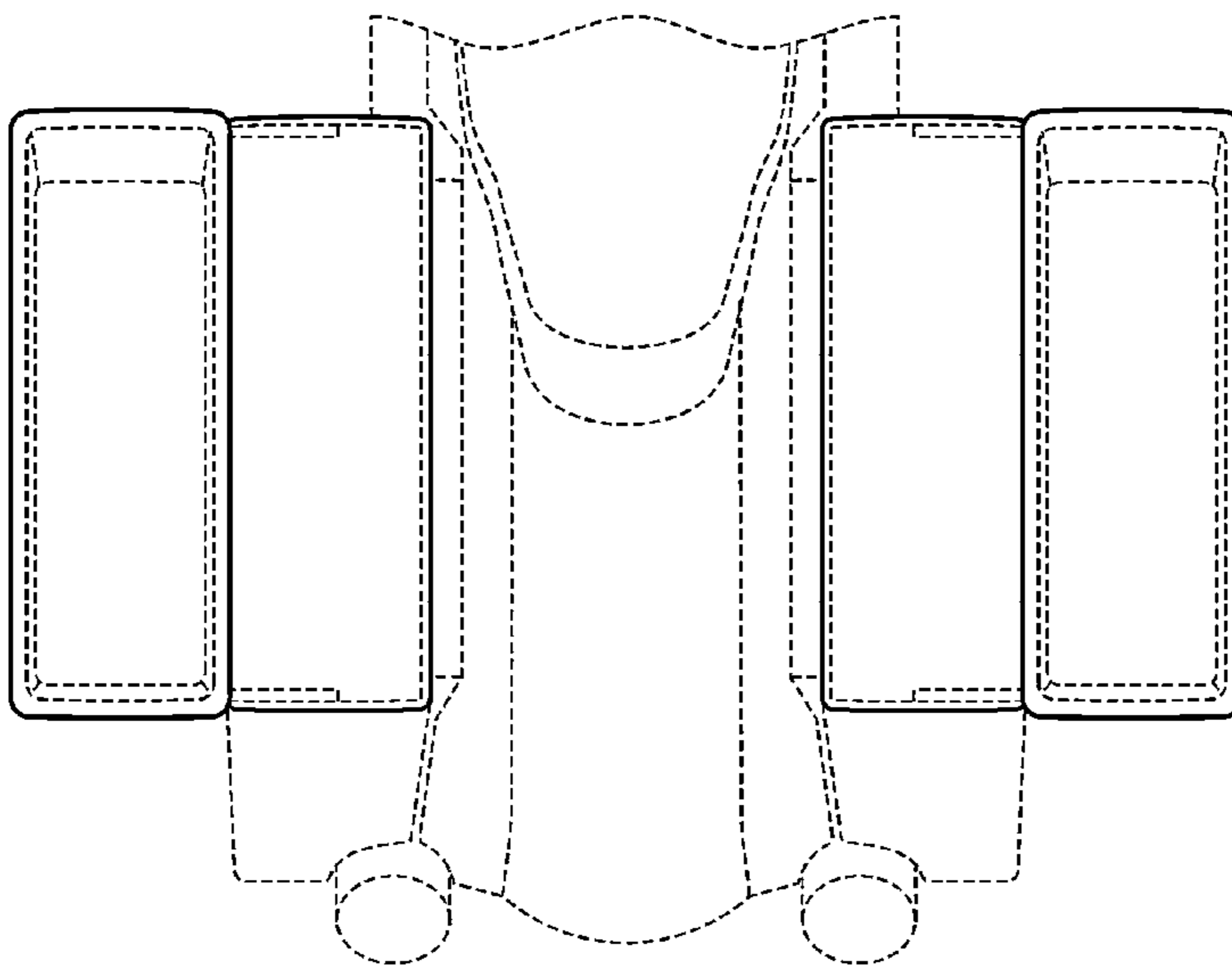
*Fig. 2*



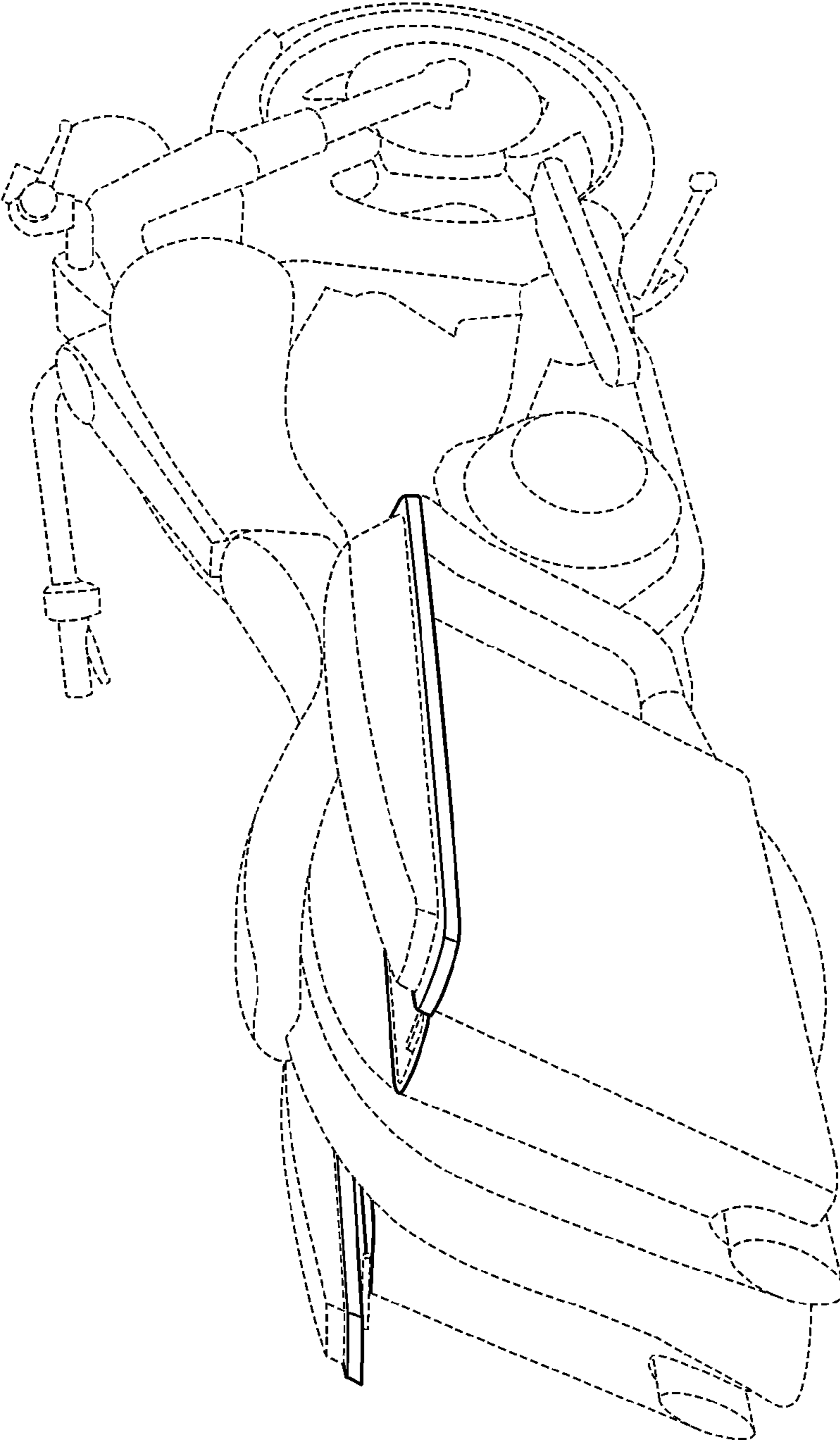
*Fig. 3*



*Fig. 4*



*Fig. 5*



*Fig. 6*