



US00D688193S

(12) **United States Design Patent**
Beshears

(10) **Patent No.:** **US D688,193 S**

(45) **Date of Patent:** **** Aug. 20, 2013**

(54) **SELF-LAUNCH BOAT CORD**

(76) **Inventor:** **Aaron Kyle Beshears**, Van Buren, AR
(US)

(**) **Term:** **14 Years**

(21) **Appl. No.:** **29/427,385**

(22) **Filed:** **Jul. 17, 2012**

(51) **LOC (9) Cl.** **12-06**

(52) **U.S. Cl.**

USPC **D12/317**; D8/355; D8/367

(58) **Field of Classification Search**

USPC D8/349, 354, 356, 355, 363, 367,
D8/372, 383, 395, 499; D12/317, 318;
D21/662; 294/82.17, 82.19; 24/16 PB,
24/68 CD, 68 R, 129 D, 376, 300, 301, 302;
248/74.3, 220.41, 220.43, 222.12, 304, 289;
114/230.2, 259, 366

See application file for complete search history.

(56) **References Cited**

U.S. PATENT DOCUMENTS

D264,934 S * 6/1982 Brooks D8/367
5,052,602 A * 10/1991 Duchi et al. 224/218
5,193,479 A * 3/1993 Bielefeld 114/366
7,347,157 B2 * 3/2008 Seiple 114/230.2
D580,257 S * 11/2008 Squyres D8/349

7,454,818 B1 * 11/2008 Backman, III 24/300
7,819,787 B2 * 10/2010 Kassel 482/122
D643,886 S * 8/2011 Kassel D21/662
D644,700 S * 9/2011 Kassel D21/662
D657,235 S * 4/2012 Wang D8/499
D659,515 S * 5/2012 Schoen et al. D8/355
D659,516 S * 5/2012 Schoen et al. D8/355

* cited by examiner

Primary Examiner — Cynthia M Chin

(74) *Attorney, Agent, or Firm* — Mark Murphey Henry

(57) **CLAIM**

The ornamental design for a self-launch boat cord, as shown and described.

DESCRIPTION

FIG. 1 is a perspective view of the boat cord in use attached to boat and boat trailer.

FIG. 2 is a perspective view of the boat cord.

FIG. 3 is a right side view of the boat cord.

FIG. 4 is a top view of the boat cord.

FIG. 5 is a left side view of the boat cord.

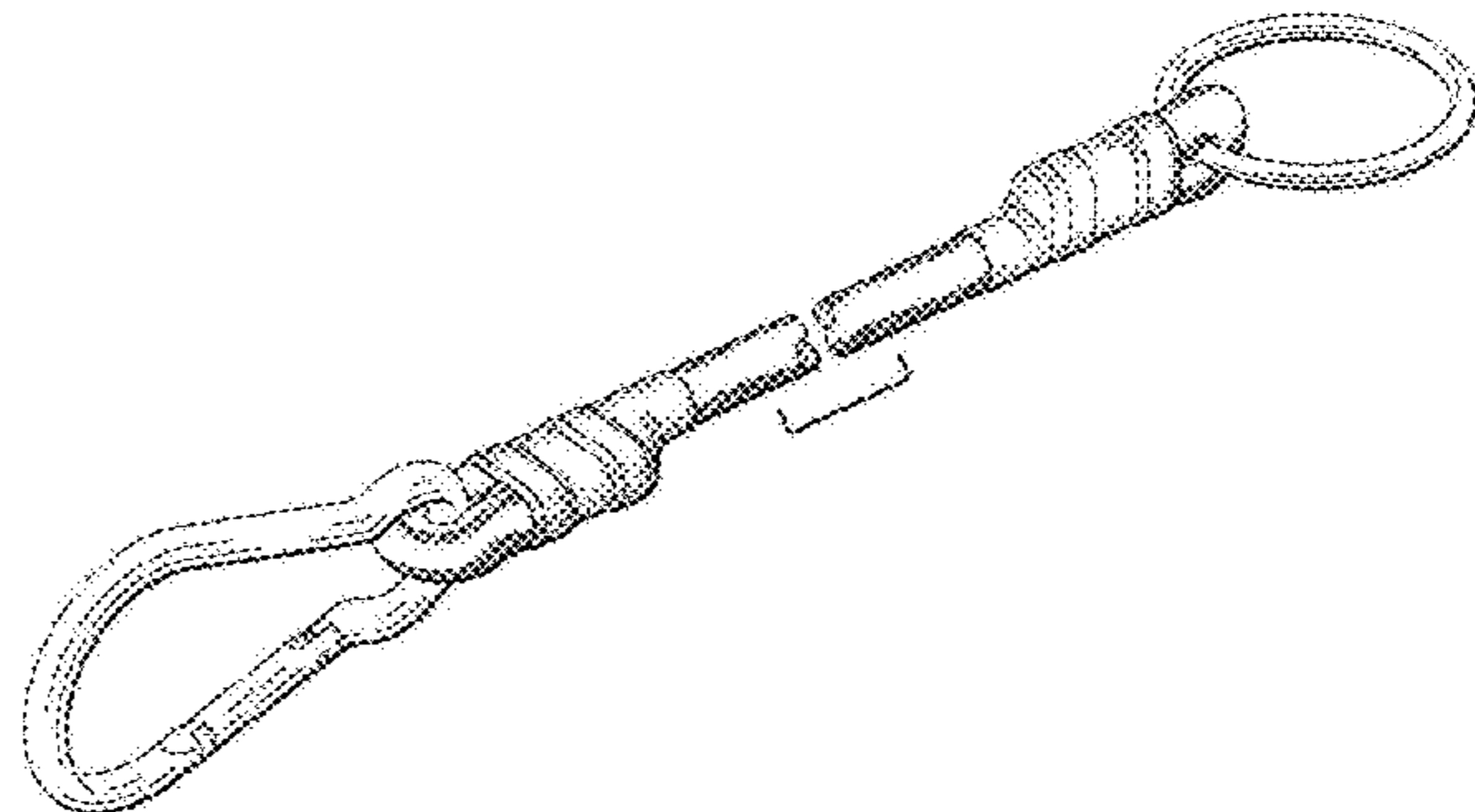
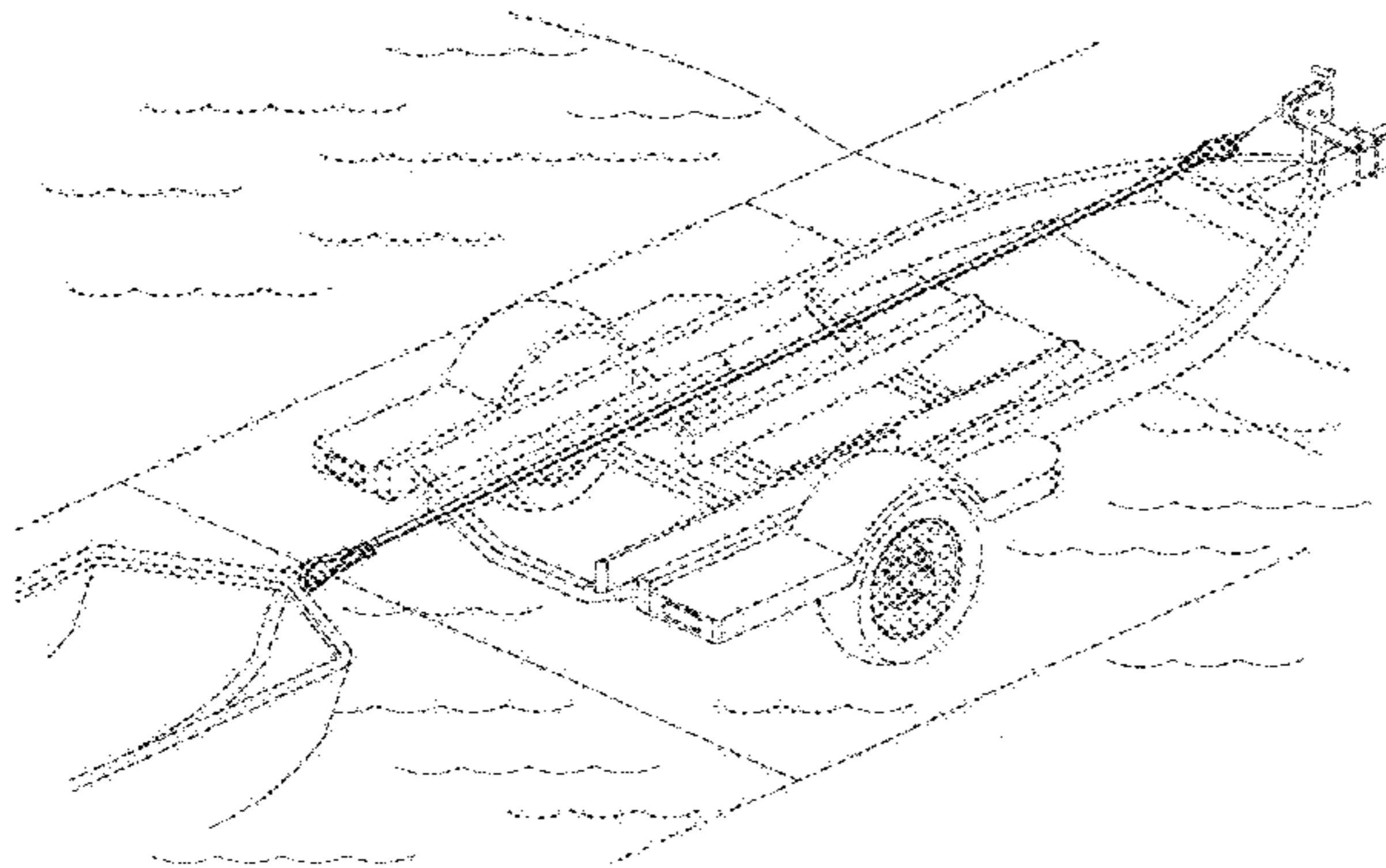
FIG. 6 is a bottom view of the boat cord.

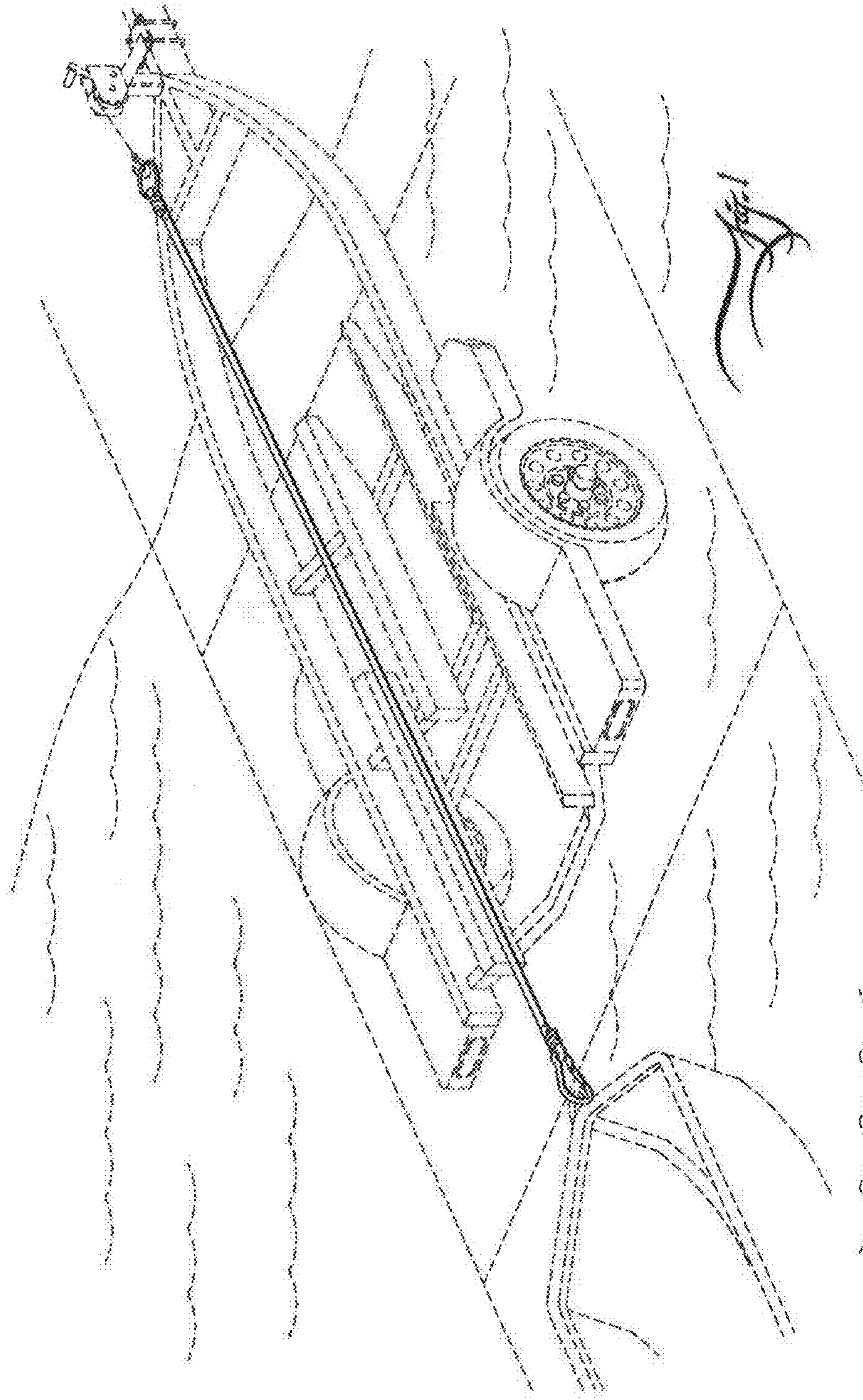
FIG. 7 is a front view of the boat cord; and,

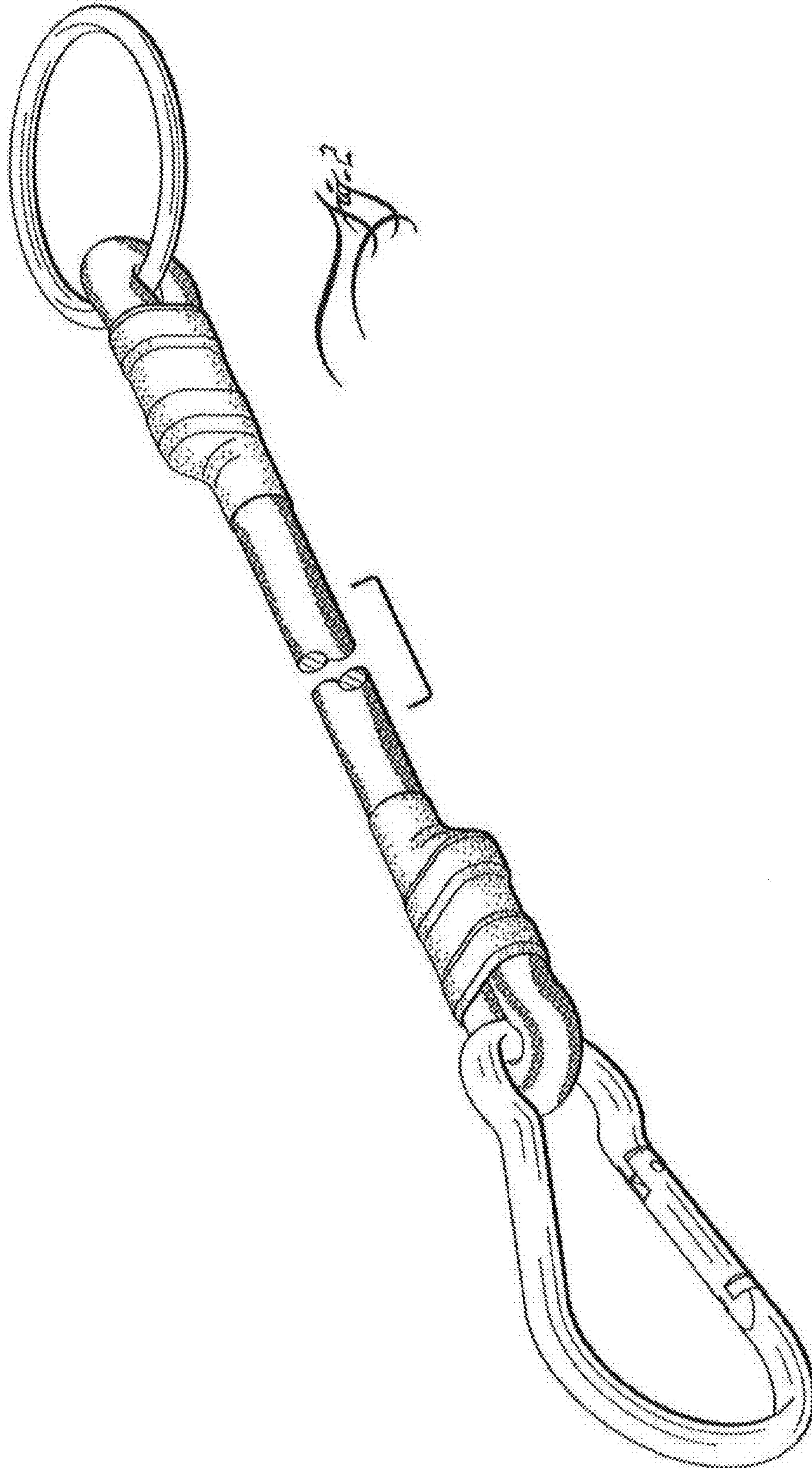
FIG. 8 is a rear view of the boat cord.

FIGS. 2-6 have been shown broken away for ease and clarity of illustration.

1 Claim, 5 Drawing Sheets







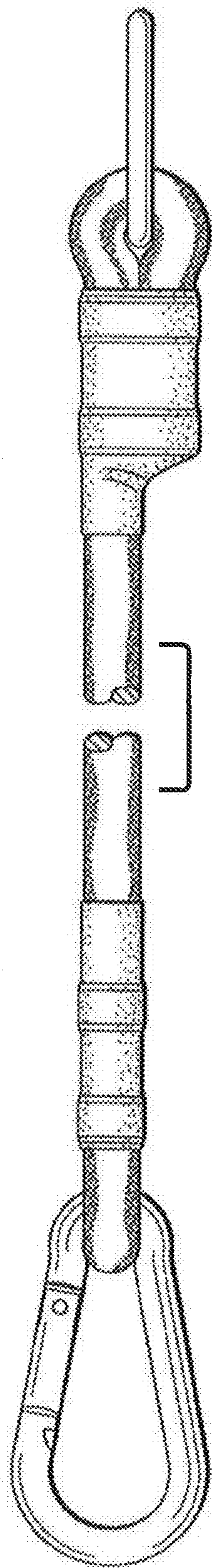


Fig. 3

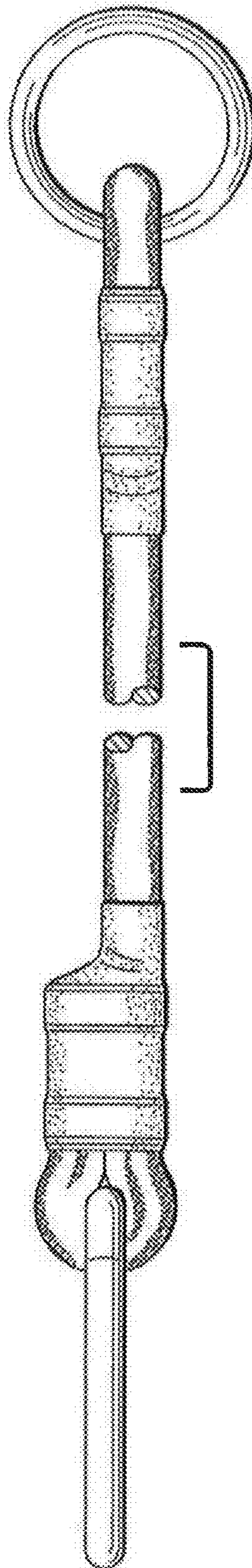


Fig. 4

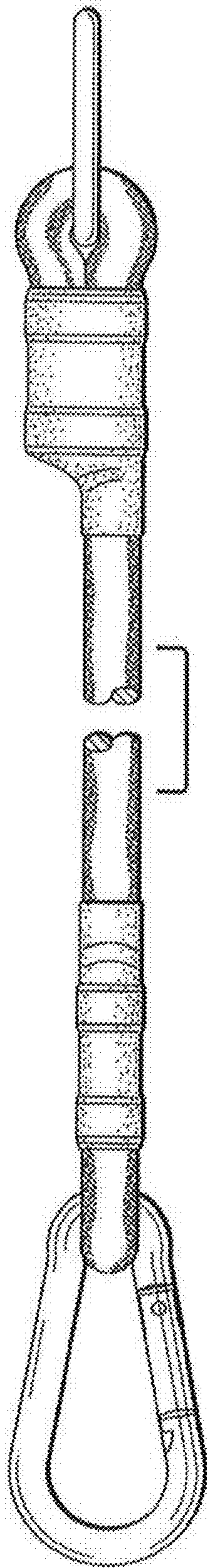


Fig. 5

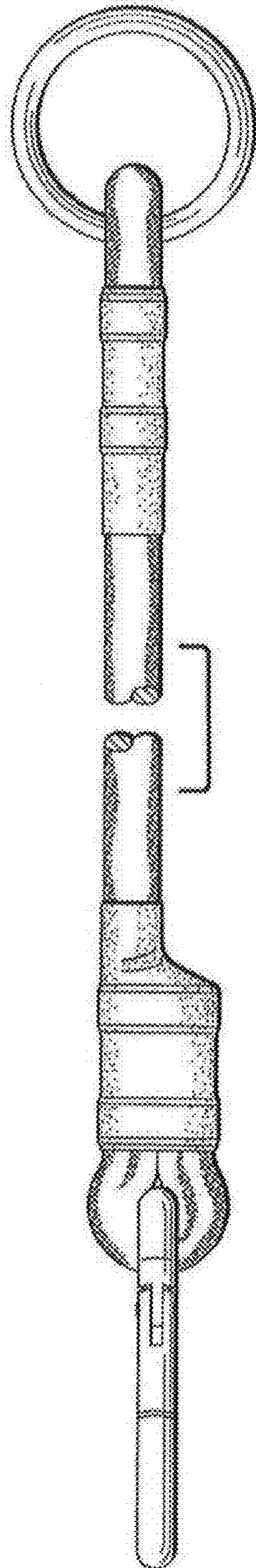


Fig. 6

