



US00D688191S

(12) **United States Design Patent**
Fowler

(10) **Patent No.:** **US D688,191 S**

(45) **Date of Patent:** **** Aug. 20, 2013**

(54) **BOAT ANCHOR**

(76) Inventor: **Jason G. Fowler**, Tuscumbia, AL (US)

(**) Term: **14 Years**

(21) Appl. No.: **29/397,744**

(22) Filed: **Jul. 20, 2011**

(51) **LOC (9) Cl.** **12-06**

(52) **U.S. Cl.**
USPC **D12/215**

(58) **Field of Classification Search**
USPC D12/215, 300, 317; 114/294, 297,
114/299, 300, 311

See application file for complete search history.

(56) **References Cited**

U.S. PATENT DOCUMENTS

D118,869 S *	2/1940	Tower	D12/215
2,239,889 A *	4/1941	Hobbs	114/294
D235,986 S *	7/1975	Neilsen	D12/168
D316,244 S *	4/1991	Kruckenber	D12/168
5,353,731 A *	10/1994	Richter	114/299

5,819,681 A *	10/1998	Barnes et al.	114/294
6,098,565 A *	8/2000	O'Neil et al.	114/294
7,121,223 B1 *	10/2006	Whitener	114/294

FOREIGN PATENT DOCUMENTS

GB 2227988 A * 8/1990

* cited by examiner

Primary Examiner — Caron D Veynar

Assistant Examiner — Martie K Holtje

(74) *Attorney, Agent, or Firm* — George P. Kobler; Lanier Ford Shaver & Payne P.C.

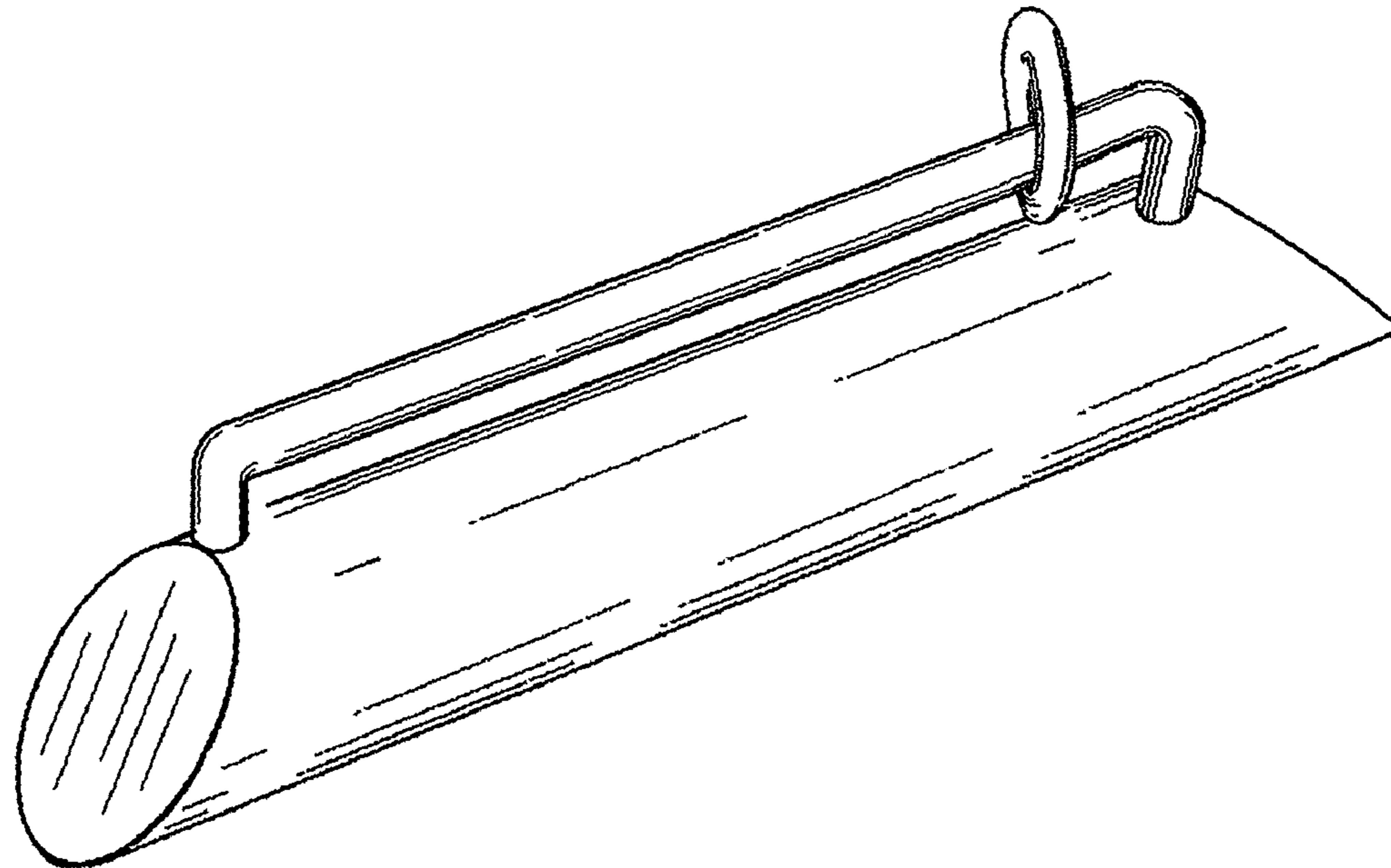
(57) **CLAIM**

The ornamental design for a boat anchor, as shown and described.

DESCRIPTION

FIG. 1 is a front perspective view of a boat anchor.
FIG. 2 is a front elevational view of the boat anchor of FIG. 1.
FIG. 3 is a top plan view of the boat anchor of FIG. 1.
FIG. 4 is a side elevational view of the boat anchor of FIG. 1;
and,
FIG. 5 is a bottom plan view of the boat anchor of FIG. 1.

1 Claim, 2 Drawing Sheets



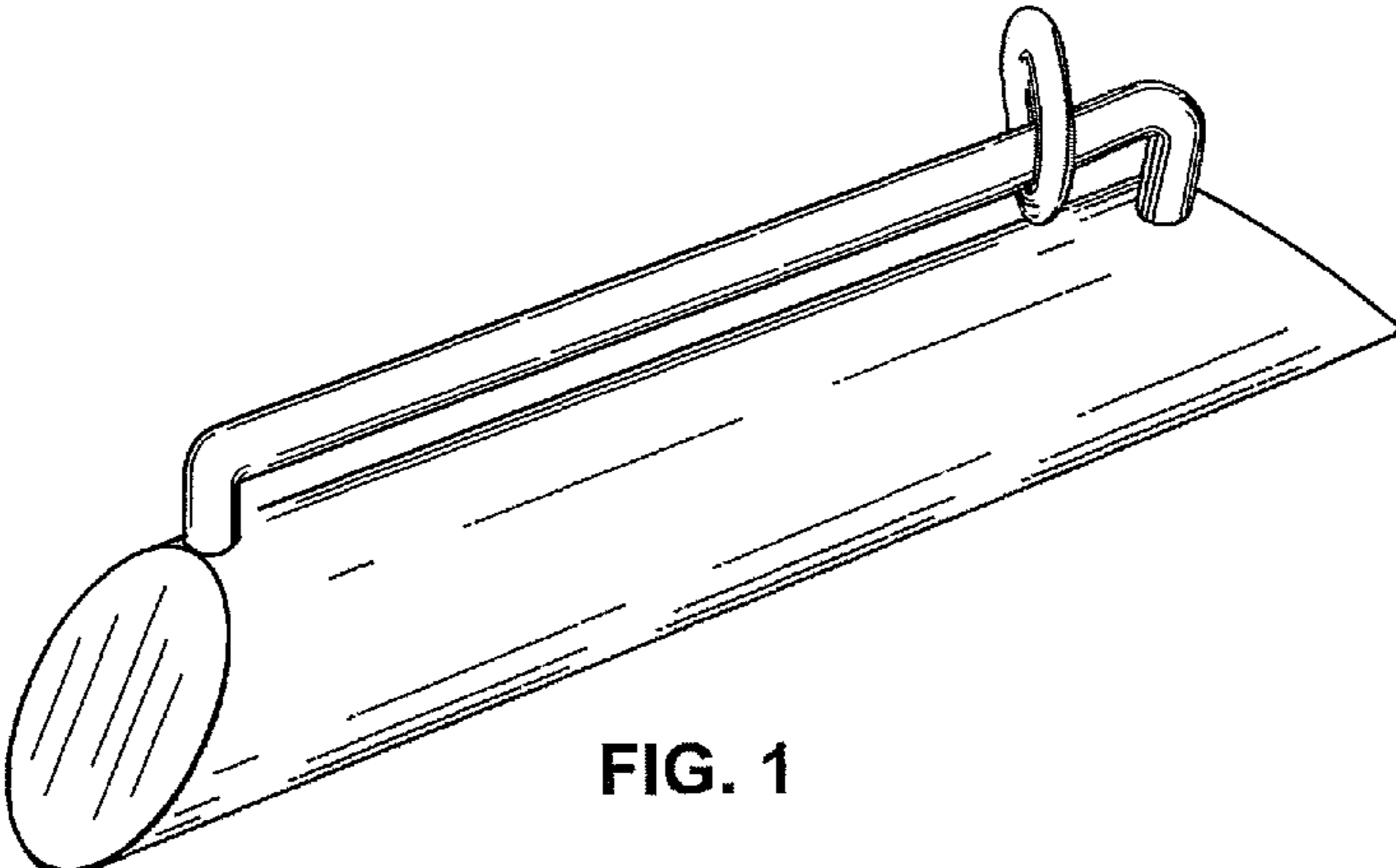


FIG. 1

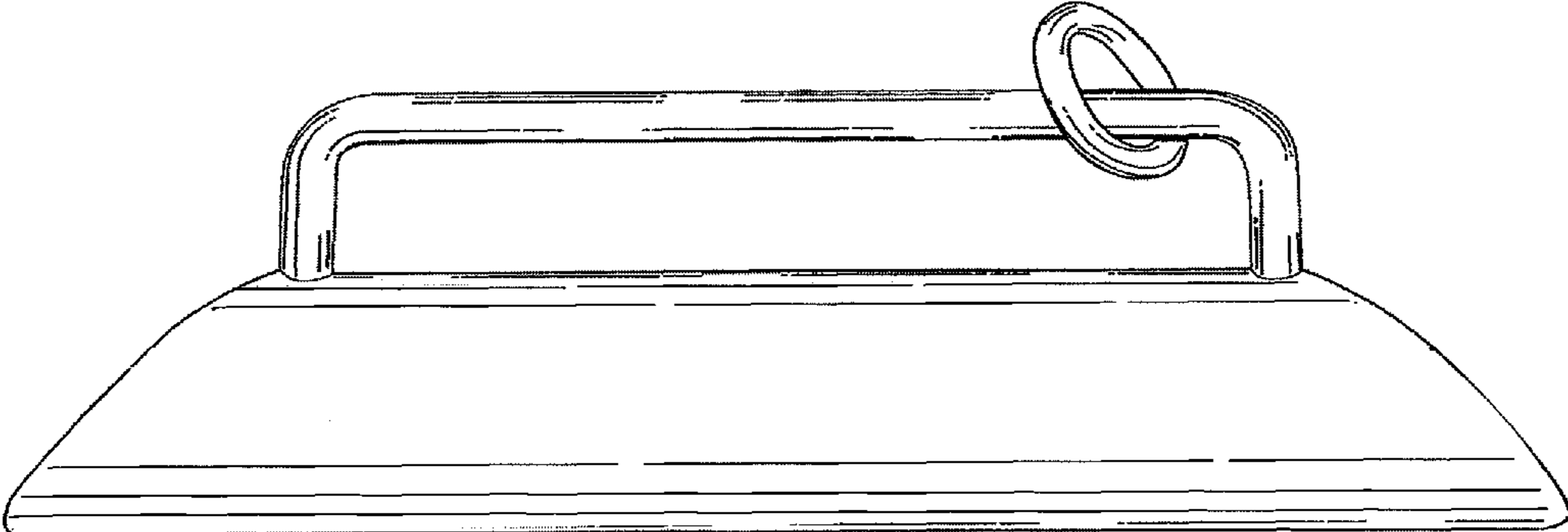


FIG. 2

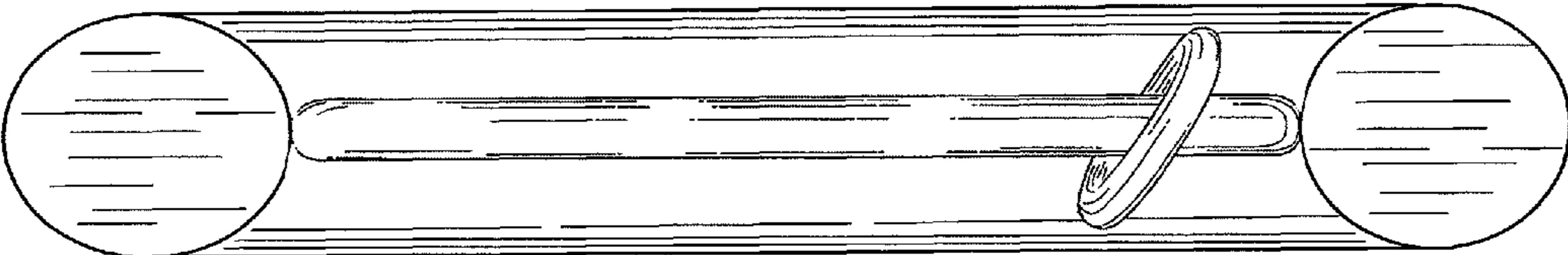


FIG. 3

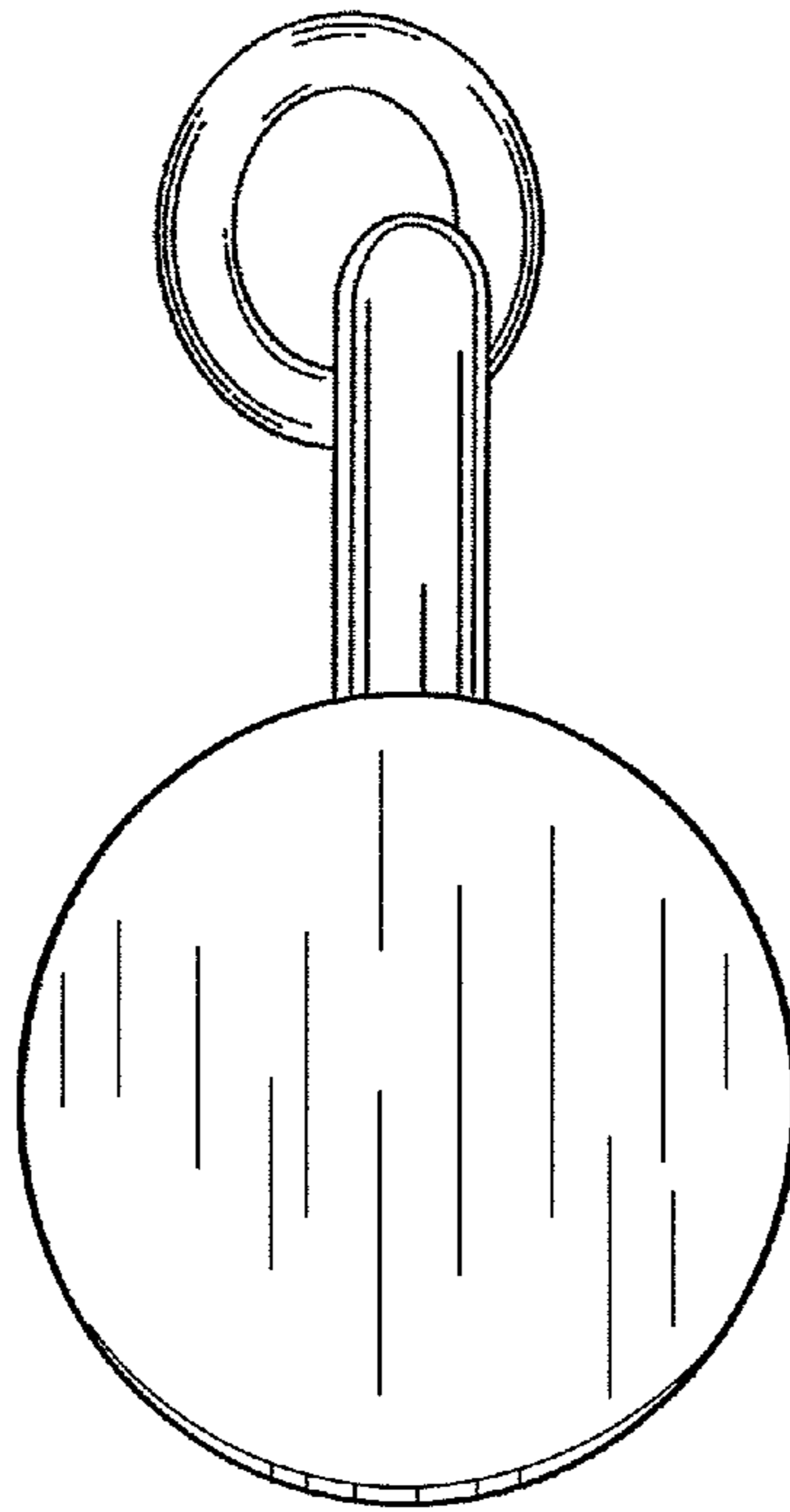


FIG. 4

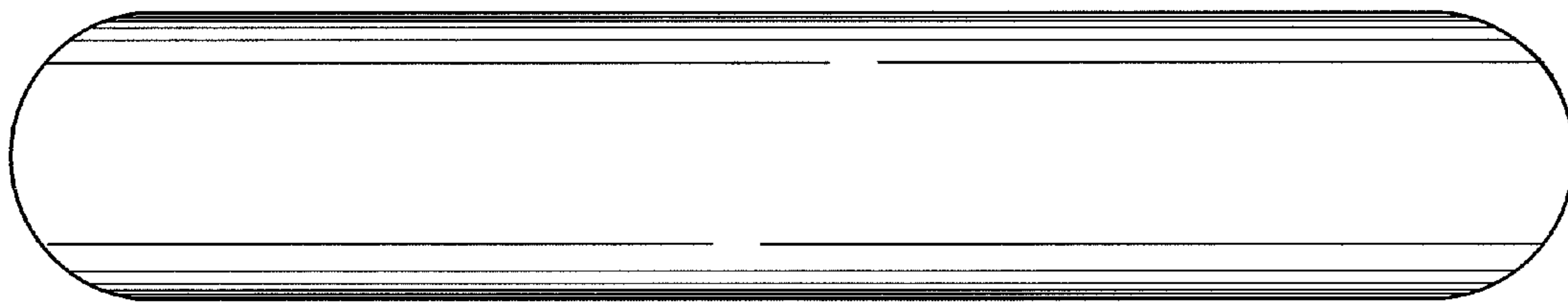


FIG. 5