



US00D688190S

(12) **United States Design Patent**
Hodges

(10) **Patent No.:** **US D688,190 S**

(45) **Date of Patent:** **** Aug. 20, 2013**

(54) **WHEEL CENTER**

(71) Applicant: **Frank J. Hodges**, Yorba Linda, CA (US)

(72) Inventor: **Frank J. Hodges**, Yorba Linda, CA (US)

(**) Term: **14 Years**

(21) Appl. No.: **29/451,384**

(22) Filed: **Apr. 1, 2013**

(51) **LOC (9) Cl.** **12-16**

(52) **U.S. Cl.**
USPC **D12/211**

(58) **Field of Classification Search**
USPC D12/204–213; 301/37.101, 64.101,
301/65, 64.201

See application file for complete search history.

(56) **References Cited**

U.S. PATENT DOCUMENTS

D477,556 S * 7/2003 Koch D12/211
D508,007 S * 8/2005 Koch D12/211
D516,493 S * 3/2006 Frizzi D12/211

D596,548 S * 7/2009 Gallert D12/211
D609,624 S * 2/2010 Matsubara D12/211
D623,111 S * 9/2010 Spoerle D12/211
D628,948 S * 12/2010 Chung D12/211
D655,663 S * 3/2012 Zhao D12/211
D658,105 S * 4/2012 Hans et al. D12/211
D671,881 S * 12/2012 Roura D12/211

* cited by examiner

Primary Examiner — Stacia Cadmus

(74) *Attorney, Agent, or Firm* — Eric B. Alspaugh

(57) **CLAIM**

The ornamental design for a wheel center, as shown and described.

DESCRIPTION

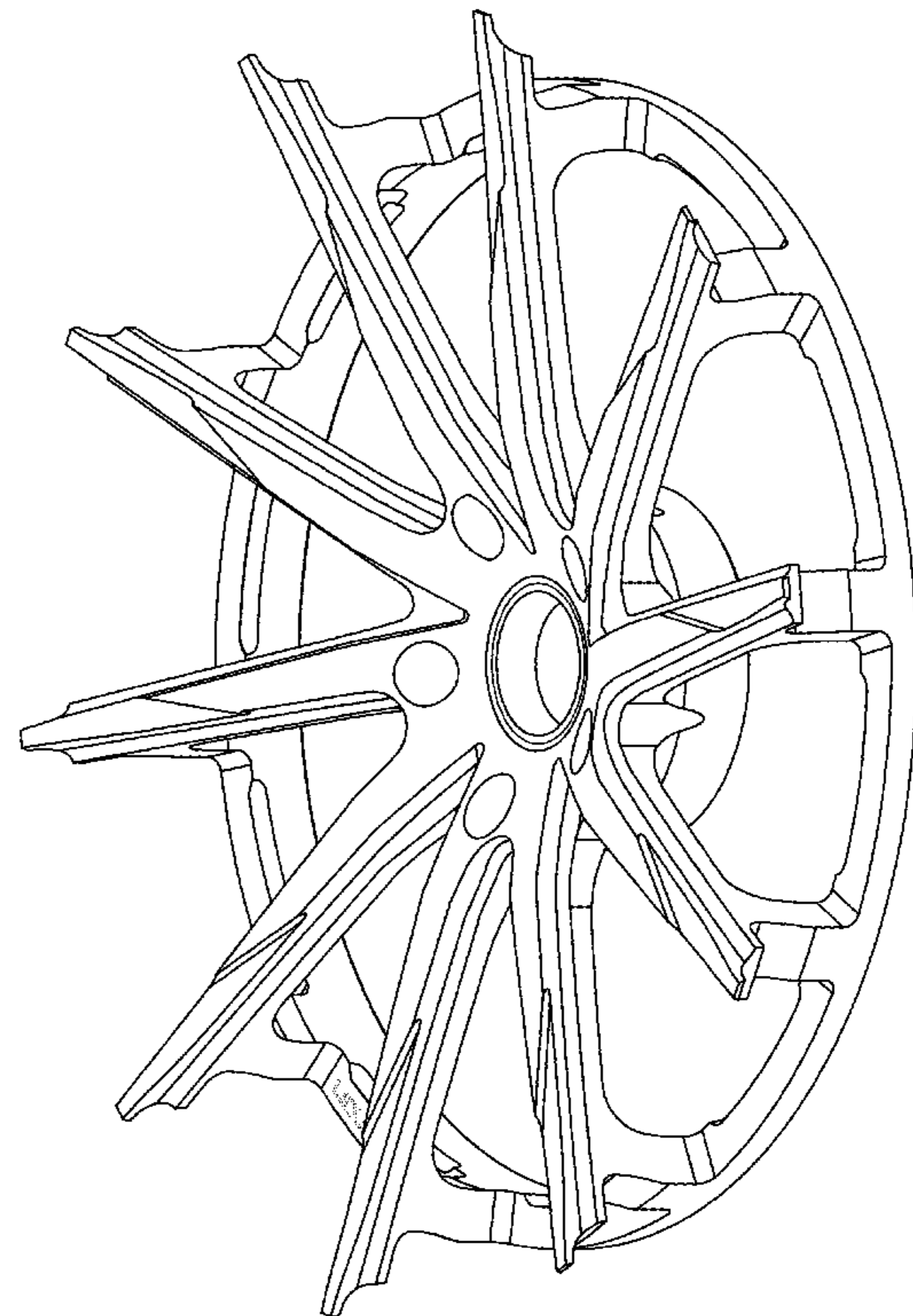
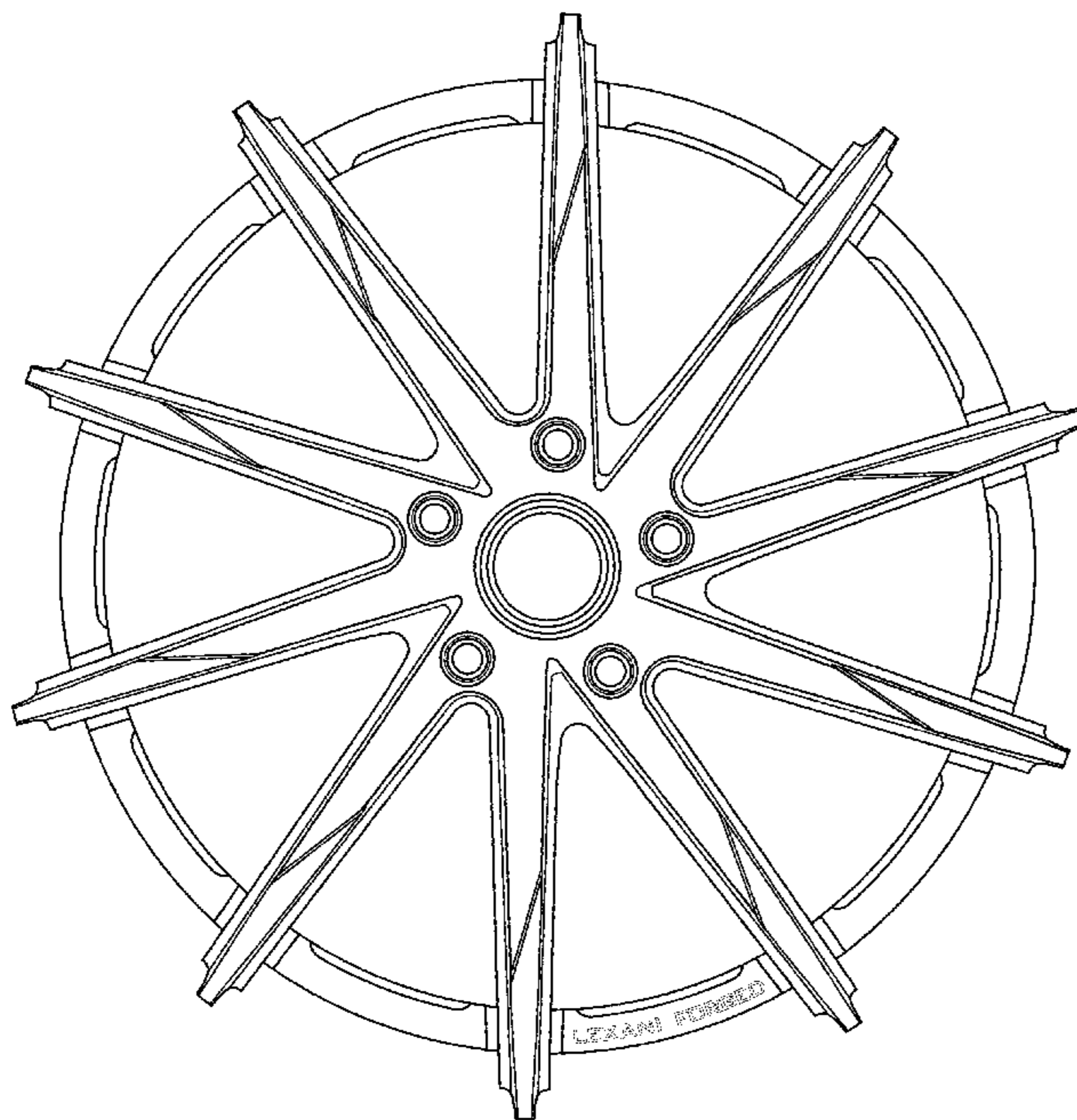
FIG. 1 is a front side view of a wheel center showing my new design;

FIG. 2 is a side view thereof;

FIG. 3 is a back side view thereof with seating in the upright position; and,

FIG. 4 is an oblique view thereof.

1 Claim, 4 Drawing Sheets



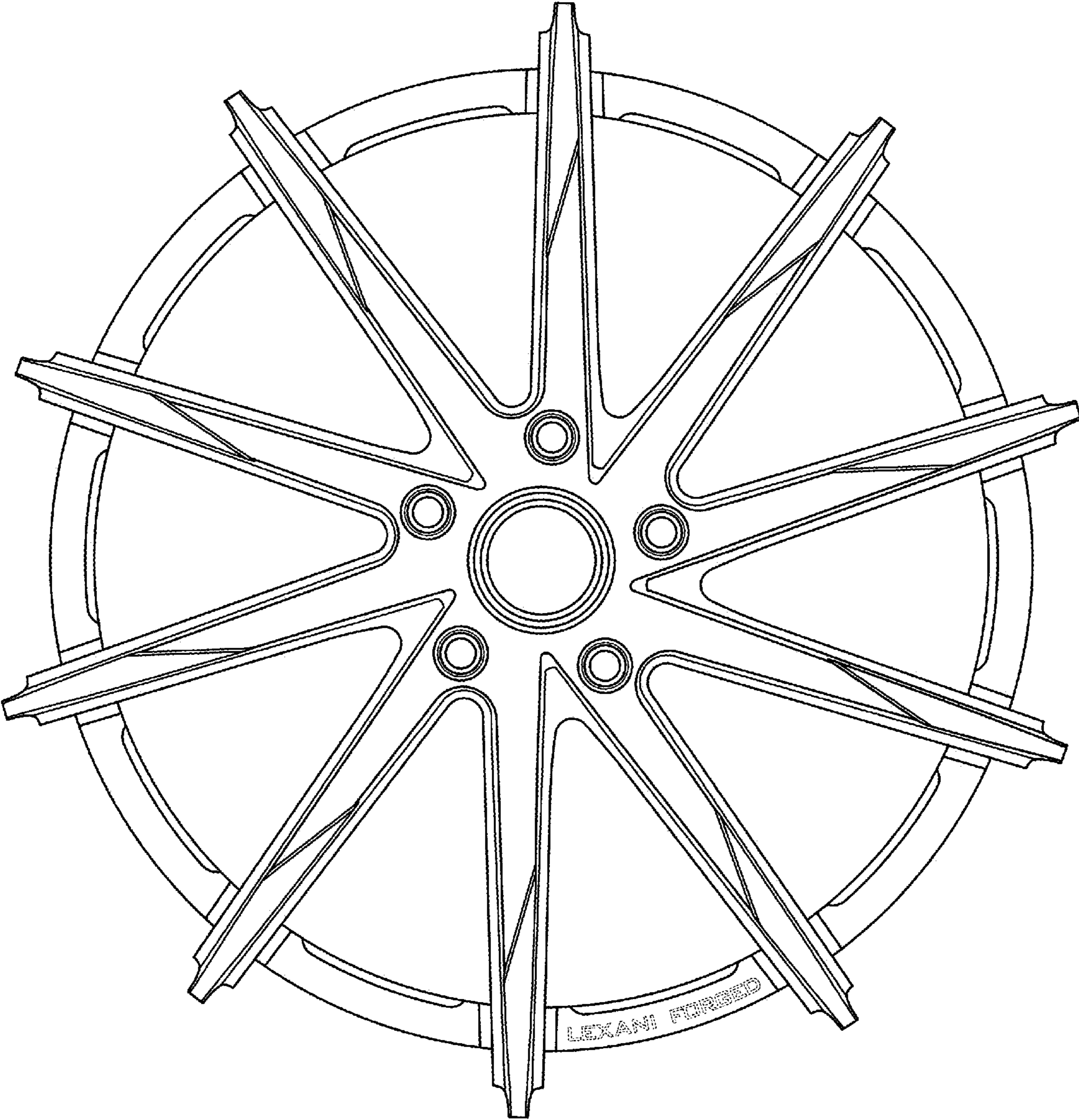


Fig. 01

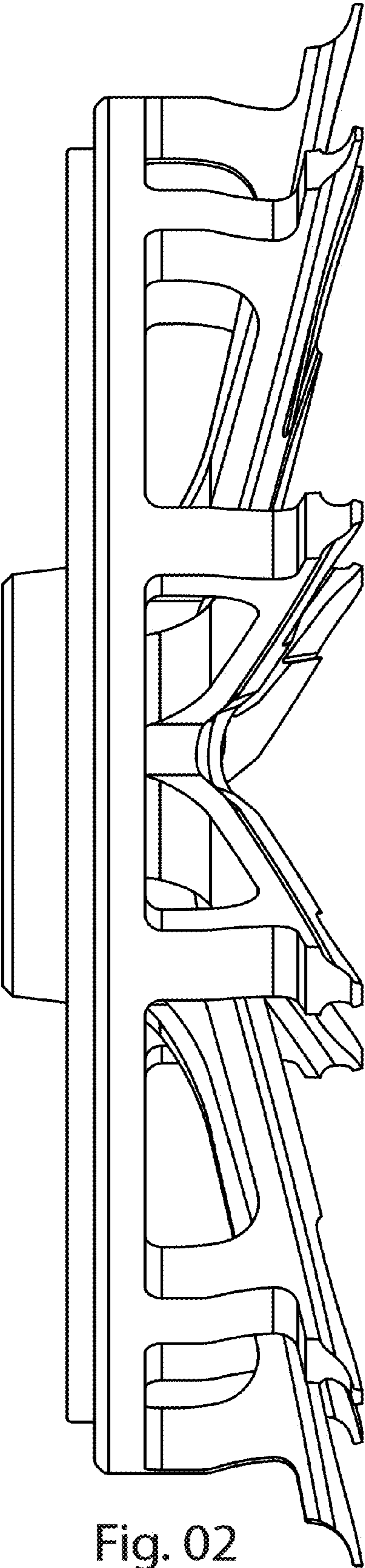


Fig. 02

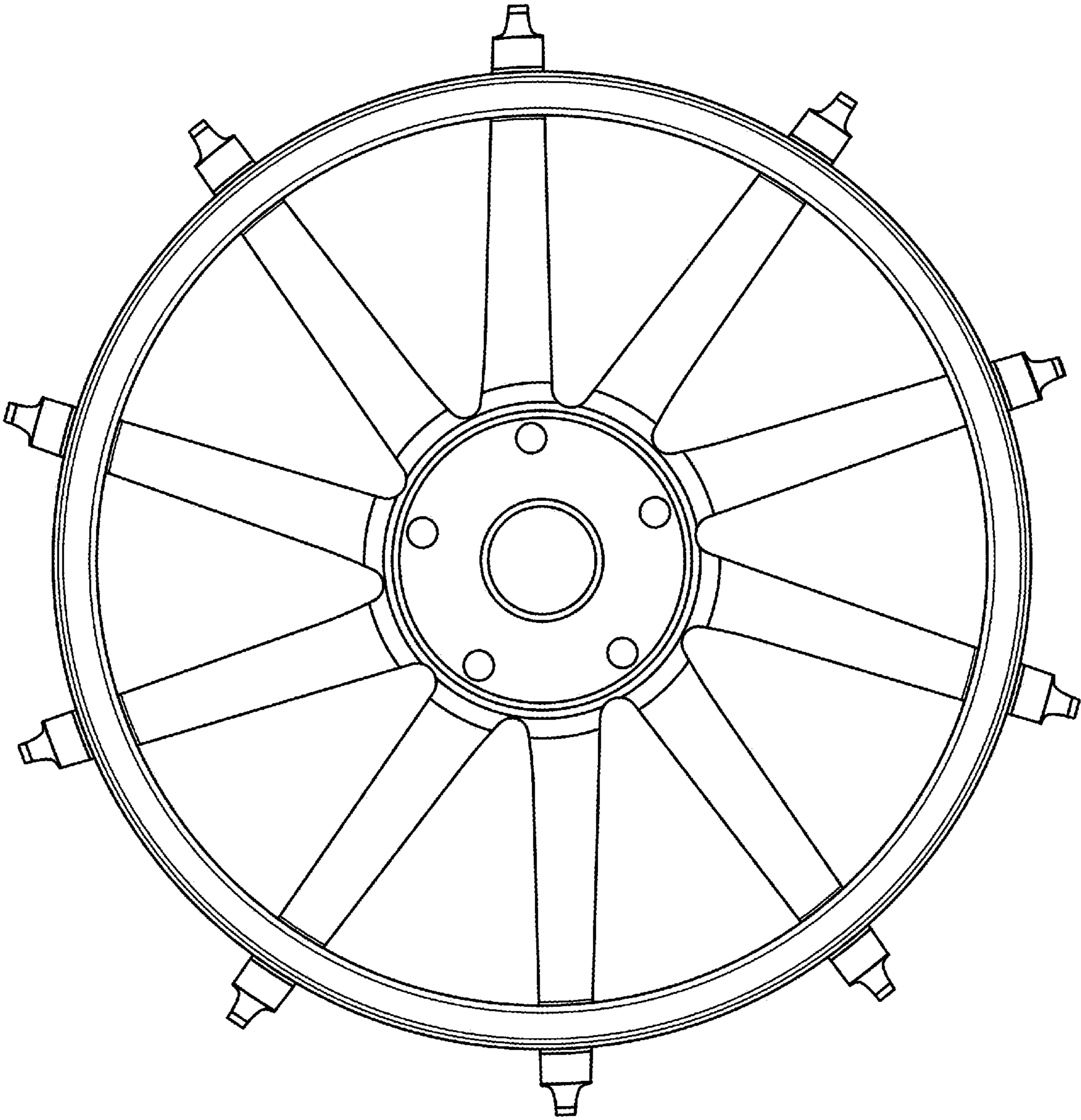


Fig. 03

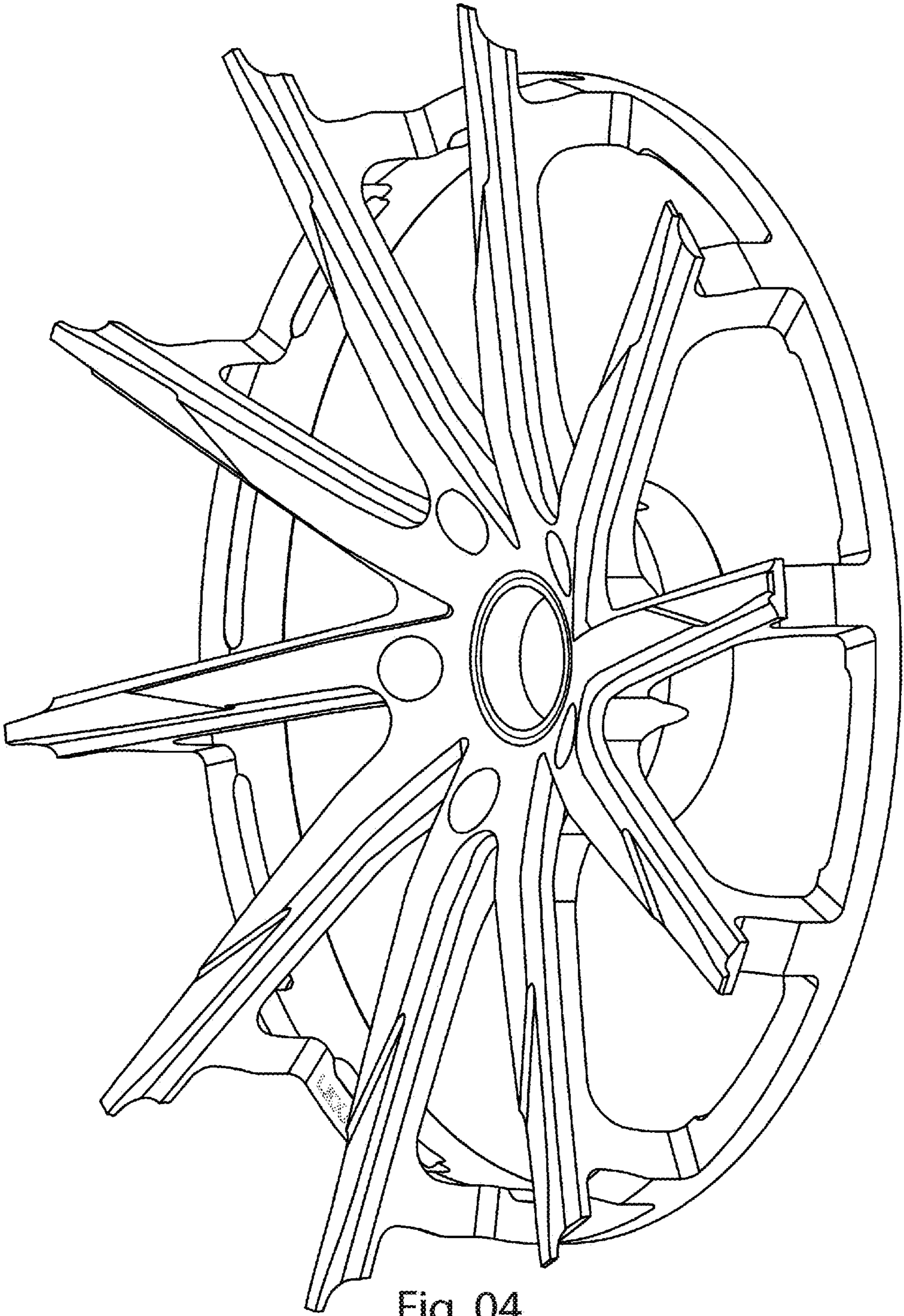


Fig. 04