

US00D688188S

(12) **United States Design Patent**
Baum

(10) **Patent No.:** **US D688,188 S**

(45) **Date of Patent:** **** Aug. 20, 2013**

(54) **WHEEL OR WHEEL COVER**

(75) Inventor: **Stephan Baum**, Olching (DE)

(73) Assignee: **Bayerische Motoren Werke Aktiengesellschaft**, Munich (DE)

(**) Term: **14 Years**

(21) Appl. No.: **29/417,637**

(22) Filed: **Apr. 6, 2012**

(30) **Foreign Application Priority Data**

Oct. 7, 2011 (DE) 40 2011 005 029

(51) **LOC (9) Cl.** **12-16**

(52) **U.S. Cl.**
USPC **D12/211**

(58) **Field of Classification Search**
USPC D12/204–213; 301/37.101, 64.101,
301/65, 64.201
See application file for complete search history.

(56) **References Cited**

U.S. PATENT DOCUMENTS

D494,524 S	8/2004	Rice	
D503,668 S	4/2005	Boyer	
D503,918 S	4/2005	Fahr-Becker	
D516,002 S *	2/2006	Fahr-Becker	D12/211
D521,438 S	5/2006	Nordmann	
D567,167 S	4/2008	Forster	
D585,354 S *	1/2009	Powell et al.	D12/211
D586,284 S *	2/2009	Fridie	D12/211
D594,396 S *	6/2009	Juergens et al.	D12/209
D615,018 S *	5/2010	Truebsbach	D12/211

D641,679 S *	7/2011	Vardis	D12/211
D645,389 S	9/2011	Nissl	
D649,500 S *	11/2011	Baum	D12/209
D654,007 S *	2/2012	Nissl	D12/211
D666,952 S *	9/2012	Pollmann	D12/209
D669,008 S *	10/2012	von Holzhausen et al.	D12/211
D671,473 S *	11/2012	Zurian	D12/209
D672,702 S *	12/2012	Pollmann	D12/211

FOREIGN PATENT DOCUMENTS

EM	000010442-0007	7/2003
EM	000032438-0005	10/2003
EM	000090204-0006	2/2004
EM	000141791-0005	6/2004
EM	000735758-0006	7/2007
EM	001636978-0020	11/2010

* cited by examiner

Primary Examiner — Stacia Cadmus

(74) *Attorney, Agent, or Firm* — Crowell & Moring LLP

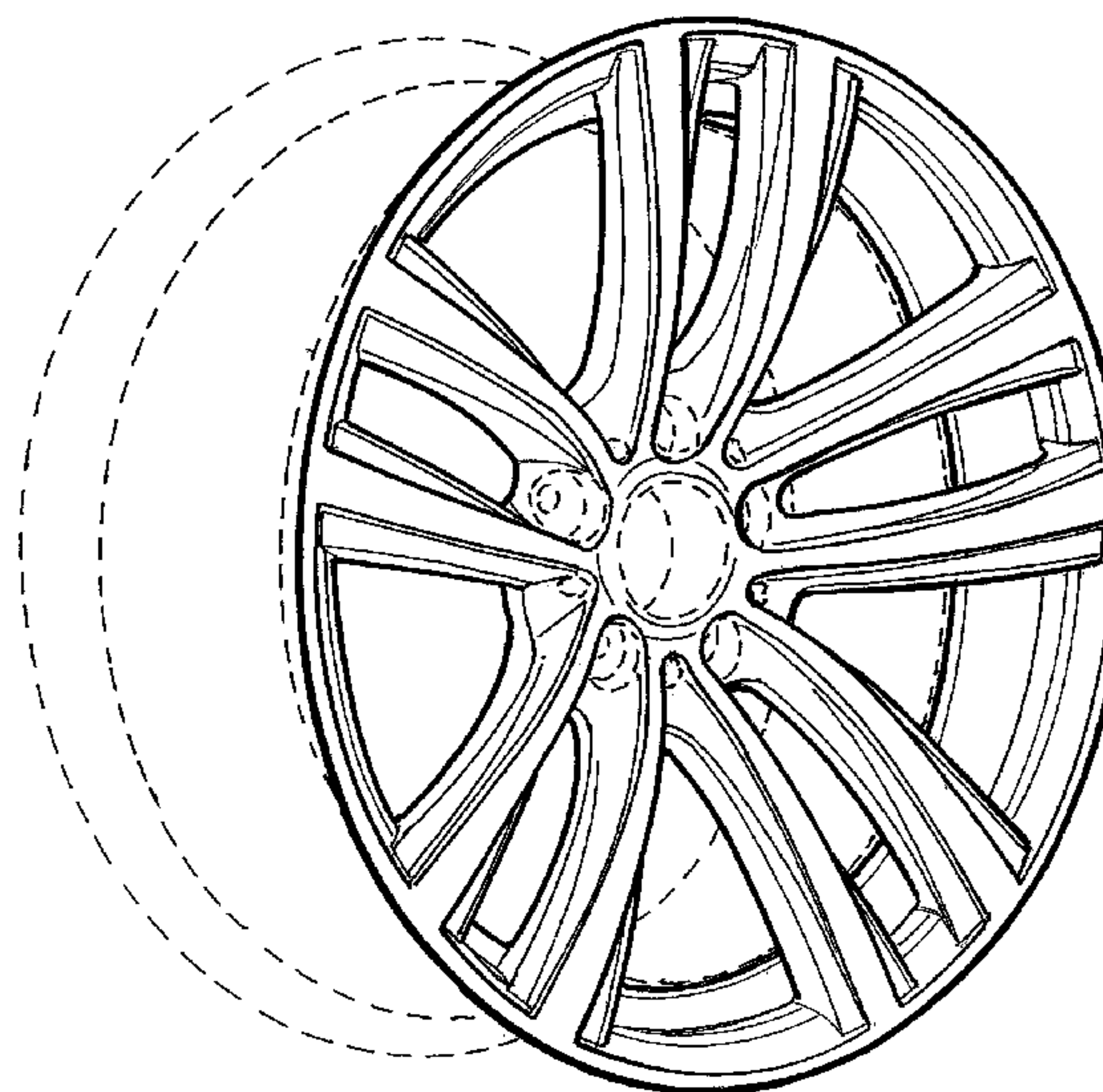
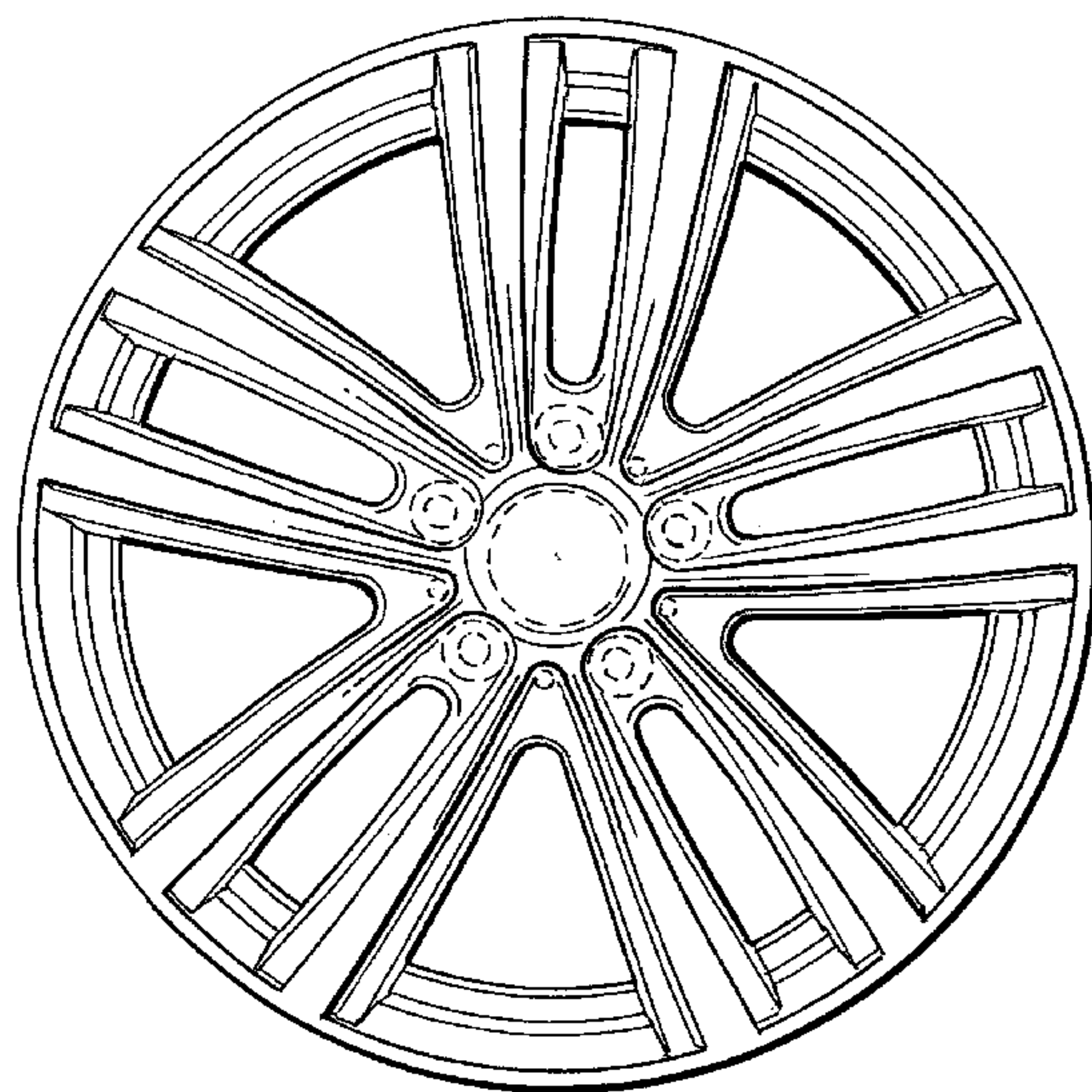
(57) **CLAIM**

The ornamental design for a wheel or wheel cover, as shown and described.

DESCRIPTION

FIG. 1 is a front view of a wheel or wheel cover according to my design; and,
FIG. 2 is a perspective view thereof.
The broken line showing of the rear of the wheel and the bolt holes and center opening in the central hub area is included for the purpose of illustrating environment and forms no part of the claimed design.

1 Claim, 1 Drawing Sheet



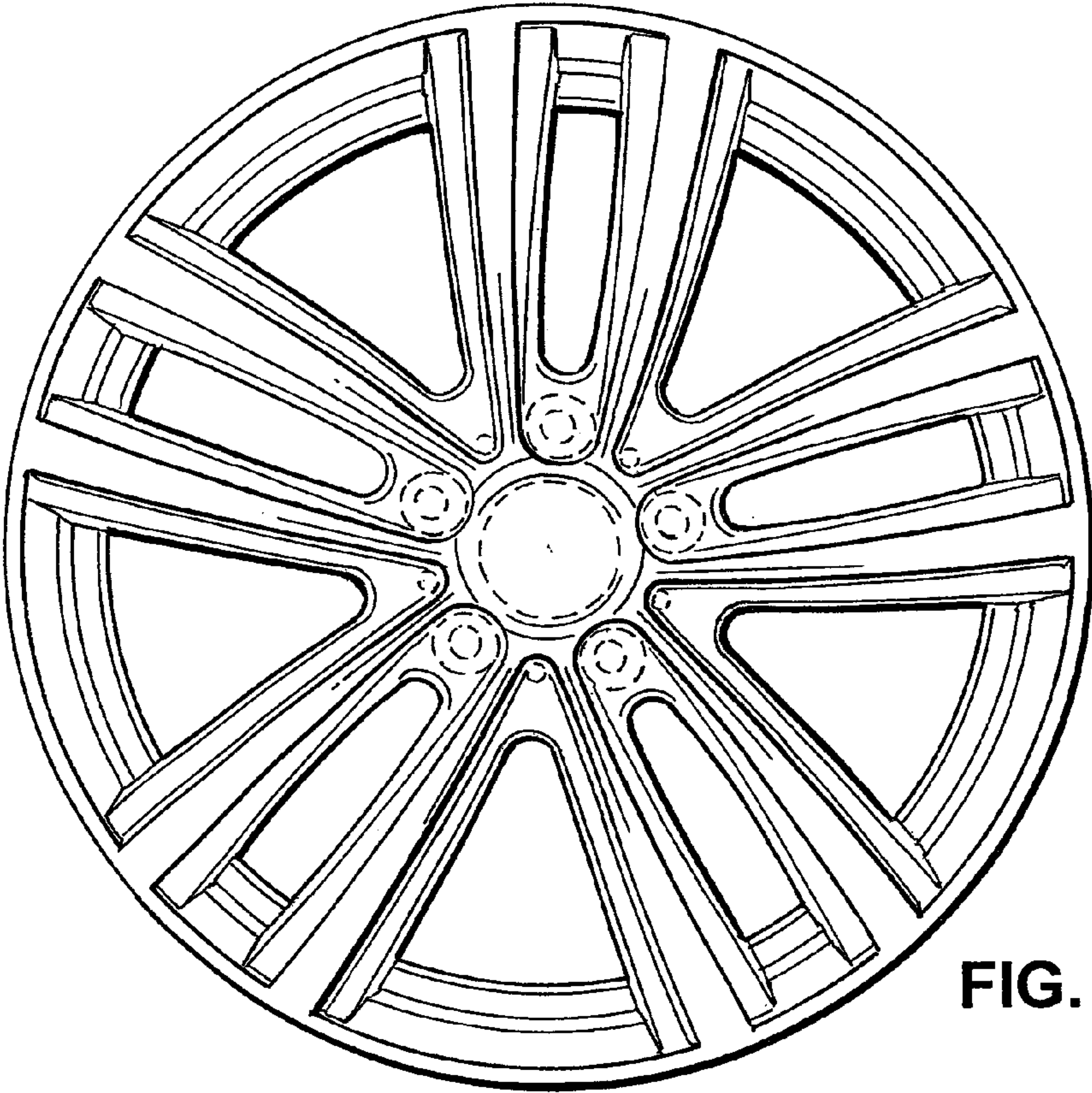


FIG. 1

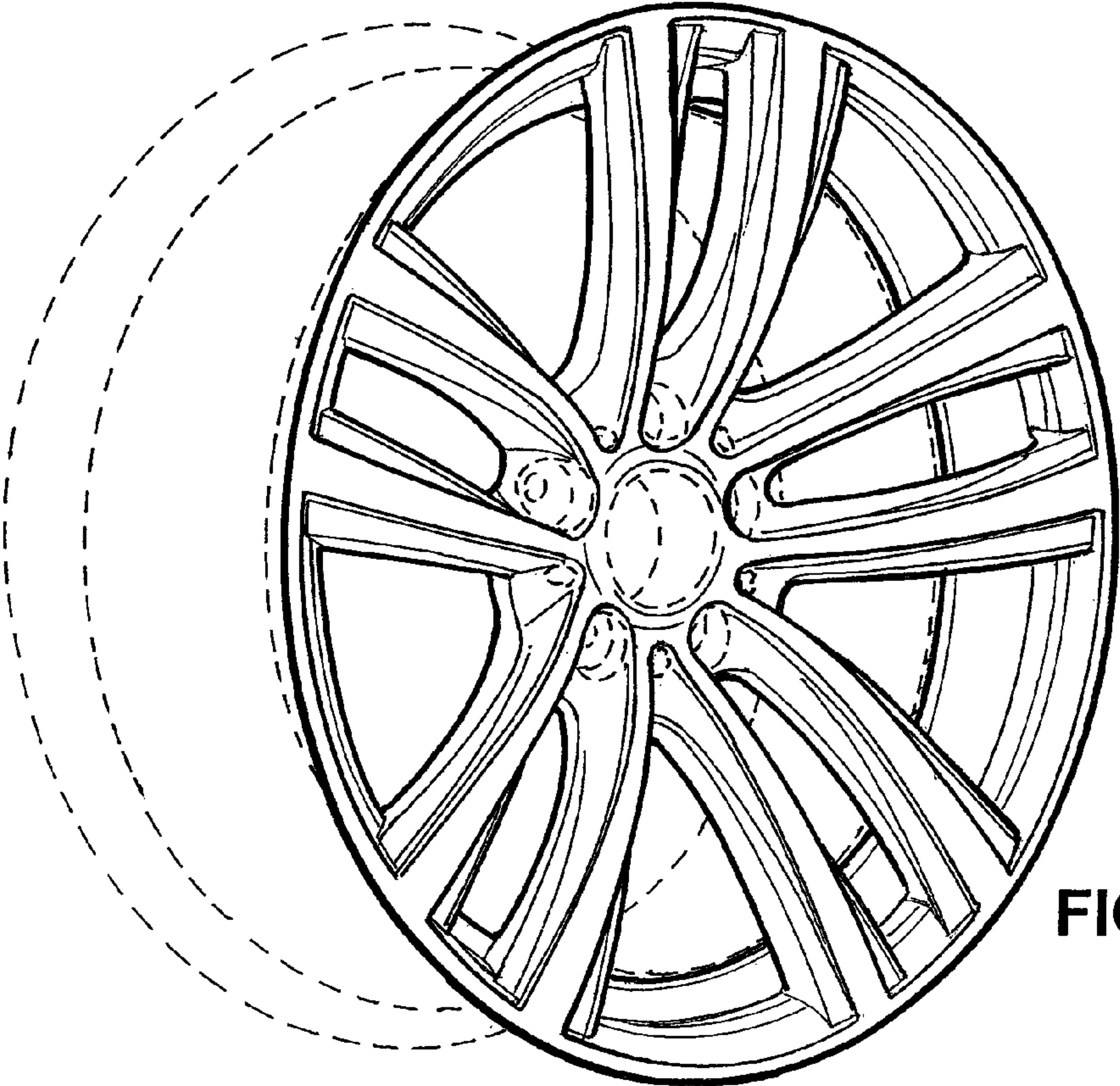


FIG. 2