

US00D688187S

(12) **United States Design Patent**
McMath

(10) **Patent No.:** **US D688,187 S**

(45) **Date of Patent:** **** Aug. 20, 2013**

(54) **WHEEL**

(71) Applicant: **Robert Roy McMath**, Riverside, CA
(US)

(72) Inventor: **Robert Roy McMath**, Riverside, CA
(US)

(**) Term: **14 Years**

(21) Appl. No.: **29/447,339**

(22) Filed: **Mar. 1, 2013**

(51) **LOC (9) Cl.** **12-16**

(52) **U.S. Cl.**
USPC **D12/209**

(58) **Field of Classification Search**
USPC D12/204-213; 301/37.101, 64.101,
301/65, 64.201

See application file for complete search history.

(56) **References Cited**

U.S. PATENT DOCUMENTS

D465,186 S * 11/2002 Chung D12/211
D470,812 S * 2/2003 Chu D12/211

D499,062 S * 11/2004 Cheng D12/209
D578,458 S * 10/2008 Cortes D12/211
D586,715 S * 2/2009 Cortes D12/211
D590,315 S * 4/2009 Chung D12/209
D597,012 S * 7/2009 Chung D12/211
D624,863 S * 10/2010 Zhao D12/211
D625,238 S * 10/2010 Zhao D12/209
D654,005 S * 2/2012 Mueller-Stolz et al. D12/209
D656,451 S * 3/2012 Zhao D12/211
D670,227 S * 11/2012 Chung D12/211
D678,159 S * 3/2013 Hale, Jr. D12/209

* cited by examiner

Primary Examiner — Stacia Cadmus

(74) *Attorney, Agent, or Firm* — Curtis L. Harrington;
Harrington & Harrington

(57) **CLAIM**

The ornamental design for a wheel, as shown and described.

DESCRIPTION

FIG. 1 is a front perspective view of the wheel; and,
FIG. 2 is a front view thereof.

The broken line showing the rear of the rim is included for the
purpose of illustrating environment and forms no part of the
claimed design.

1 Claim, 1 Drawing Sheet

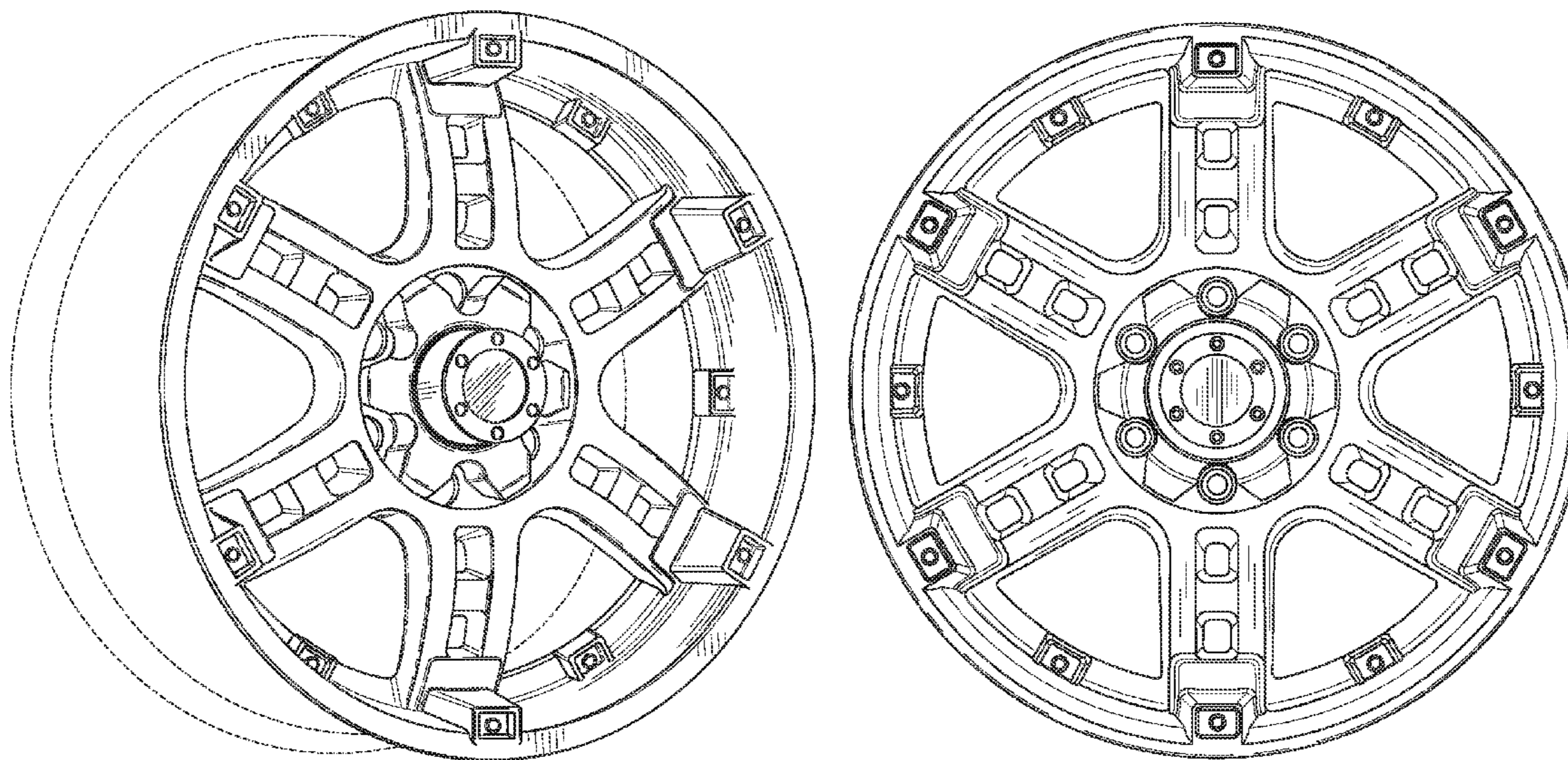


Fig. 1

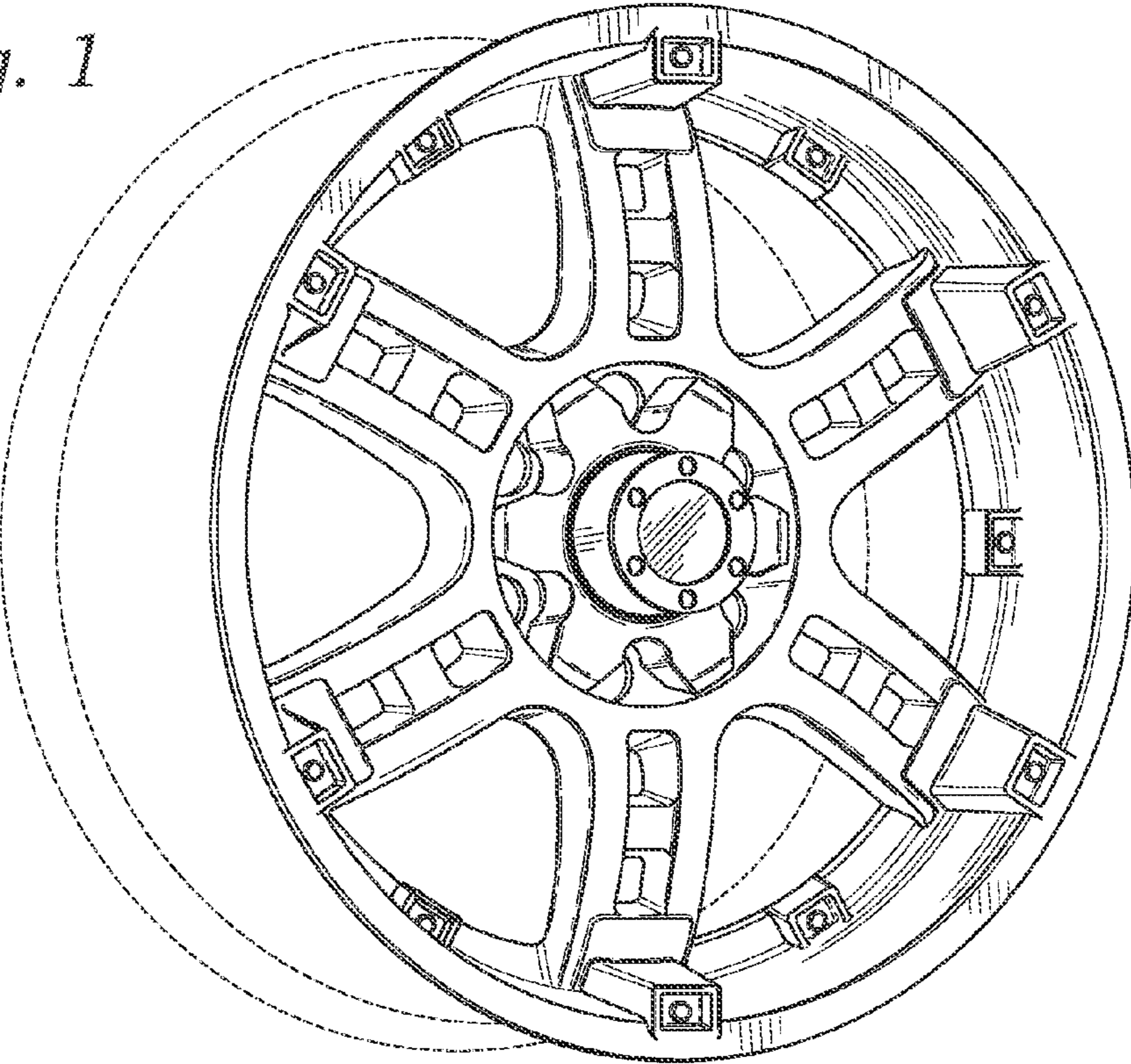


Fig. 2

