



US00D688186S

(12) **United States Design Patent**
McMath

(10) **Patent No.:** **US D688,186 S**

(45) **Date of Patent:** **** Aug. 20, 2013**

(54) **WHEEL**

(71) Applicant: **Robert Roy McMath**, Riverside, CA
(US)

(72) Inventor: **Robert Roy McMath**, Riverside, CA
(US)

(**) Term: **14 Years**

(21) Appl. No.: **29/447,307**

(22) Filed: **Mar. 1, 2013**

(51) **LOC (9) Cl.** **12-16**

(52) **U.S. Cl.**
USPC **D12/209**

(58) **Field of Classification Search**
USPC D12/204–213; 301/37.101, 64.101,
301/65, 64.201

See application file for complete search history.

(56) **References Cited**

U.S. PATENT DOCUMENTS

D451,461 S * 12/2001 Arellano D12/209
D460,396 S * 7/2002 Kember et al. D12/209
D516,981 S * 3/2006 Sulahian D12/209

D522,435 S * 6/2006 Long D12/209
D534,852 S * 1/2007 Kim D12/209
D554,036 S * 10/2007 Chung D12/209
D618,152 S * 6/2010 Juergens et al. D12/209
D620,865 S * 8/2010 Park D12/209
D633,845 S * 3/2011 Scolari et al. D12/209
D642,105 S * 7/2011 Chung D12/209
D649,921 S * 12/2011 Lucaora D12/209
D652,362 S * 1/2012 Lucaora D12/209

* cited by examiner

Primary Examiner — Stacia Cadmus

(74) *Attorney, Agent, or Firm* — Curtis L. Harrington;
Harrington & Harrington

(57) **CLAIM**

The ornamental design for a wheel, as shown and described.

DESCRIPTION

FIG. 1 is a front perspective view of the wheel; and,
FIG. 2 is a front view thereof.

The broken line showing the rear of the rim is included for the
purpose of illustrating environment and forms no part of the
claimed design.

1 Claim, 1 Drawing Sheet

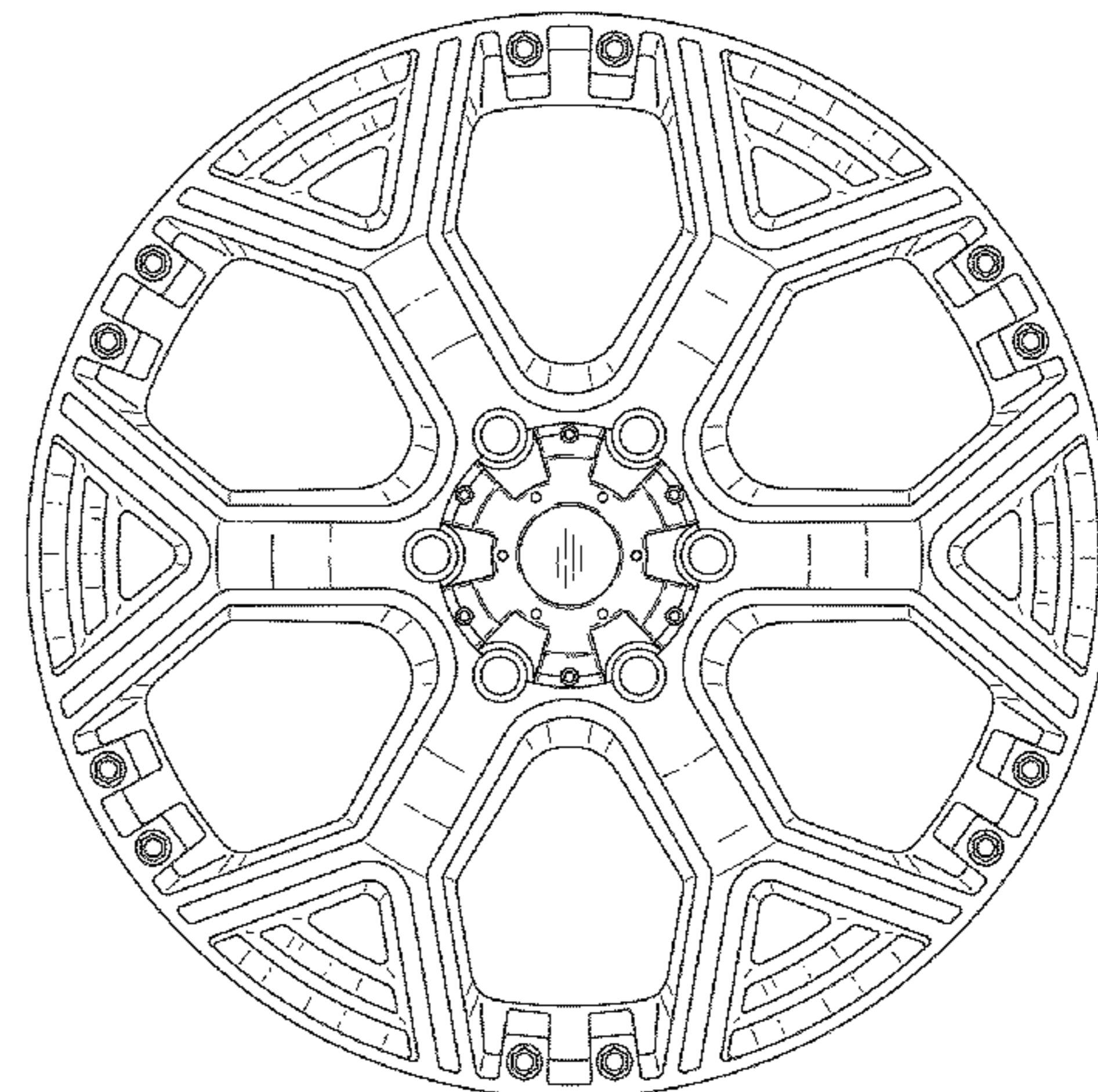
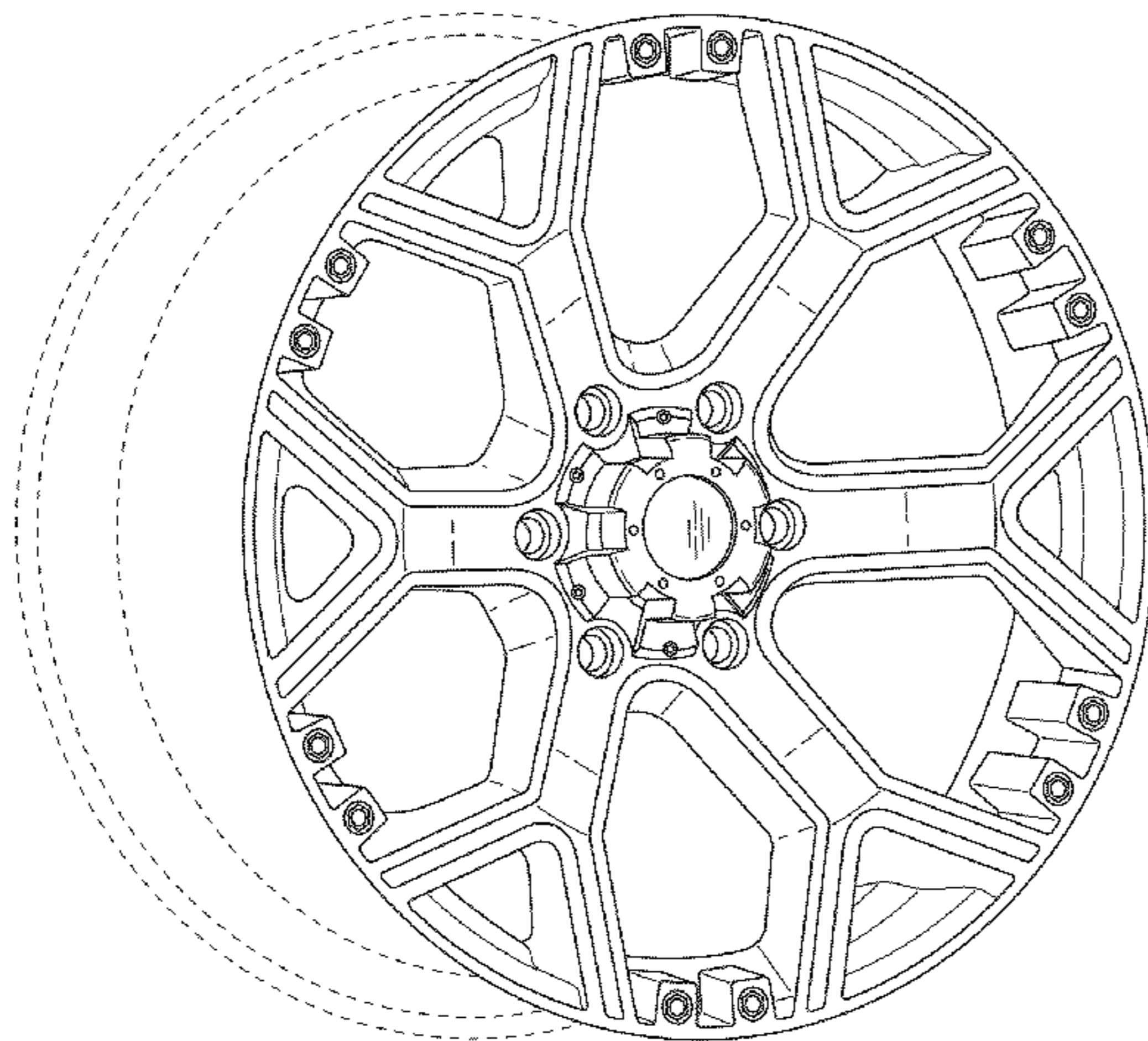


Fig. 1

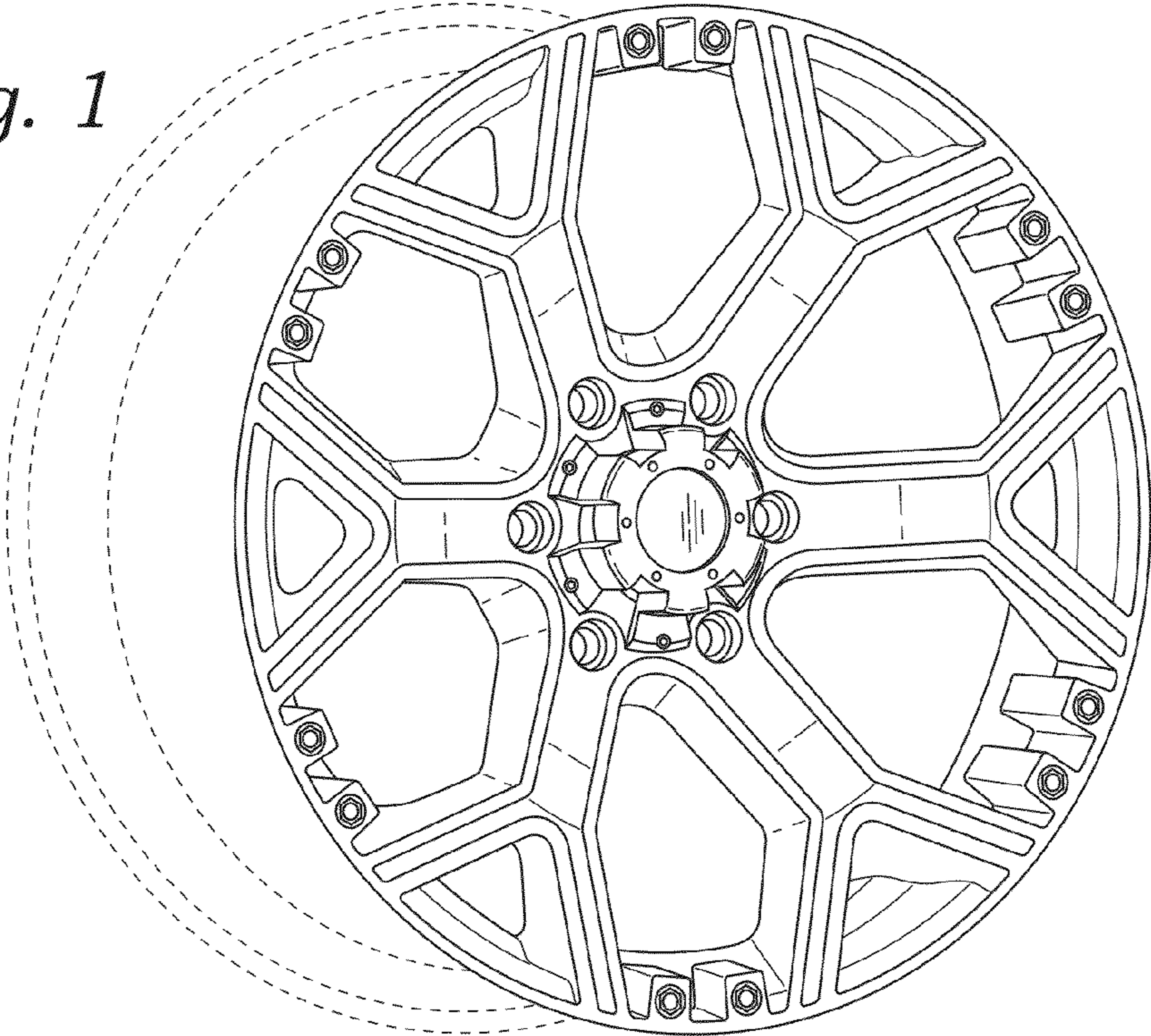


Fig. 2

