



US00D688185S

(12) **United States Design Patent**
Baum

(10) **Patent No.:** **US D688,185 S**

(45) **Date of Patent:** **** Aug. 20, 2013**

(54) **WHEEL OR WHEEL COVER**

(71) Applicant: **Bayerische Motoren Werke
Aktiengesellschaft, Munich (DE)**

(72) Inventor: **Stephan Baum, Olching (DE)**

(73) Assignee: **Bayerische Motoren Werke
Aktiengesellschaft, Munich (DE)**

(**) Term: **14 Years**

(21) Appl. No.: **29/446,032**

(22) Filed: **Feb. 20, 2013**

(30) **Foreign Application Priority Data**

Aug. 21, 2012 (DE) 40 2012 100 666

(51) **LOC (9) Cl.** **12-16**

(52) **U.S. Cl.**
USPC **D12/209**

(58) **Field of Classification Search**
USPC D12/204–213; 301/37.101, 64.101,
301/65, 64.201
See application file for complete search history.

(56) **References Cited**

U.S. PATENT DOCUMENTS

D408,346 S	4/1999	Goplen	
D421,953 S *	3/2000	Sims et al.	D12/211
D477,557 S *	7/2003	Iacovelli et al.	D12/211
D512,675 S	12/2005	Nagashima	
D515,493 S *	2/2006	Schaefers	D12/211
D524,218 S *	7/2006	Madden	D12/211
D527,330 S *	8/2006	Madden	D12/211
D527,333 S *	8/2006	Blasi	D12/211

D585,010 S *	1/2009	Pollmann	D12/211
D593,922 S *	6/2009	Blasi	D12/211
D594,800 S	6/2009	Blasi	
D596,552 S *	7/2009	Beermann	D12/211
D617,715 S *	6/2010	Gallert	D12/211
D617,719 S *	6/2010	Zhao	D12/211
D619,952 S *	7/2010	Juergens et al.	D12/211
D639,226 S *	6/2011	Juergens et al.	D12/211
D645,389 S	9/2011	Nissl	
D647,450 S *	10/2011	Platto et al.	D12/209
D656,446 S *	3/2012	Lee	D12/209
D658,560 S *	5/2012	Thurner	D12/209
D671,060 S *	11/2012	Baum	D12/209

FOREIGN PATENT DOCUMENTS

DE	M9710021	6/1998
EM	000213335-006	11/2004
EM	001036552-000	11/2009
EM	001636978-002	11/2010

* cited by examiner

Primary Examiner — Stacia Cadmus

(74) *Attorney, Agent, or Firm* — Crowell & Moring LLP

(57) **CLAIM**

The ornamental design for a wheel or wheel cover, as shown and described.

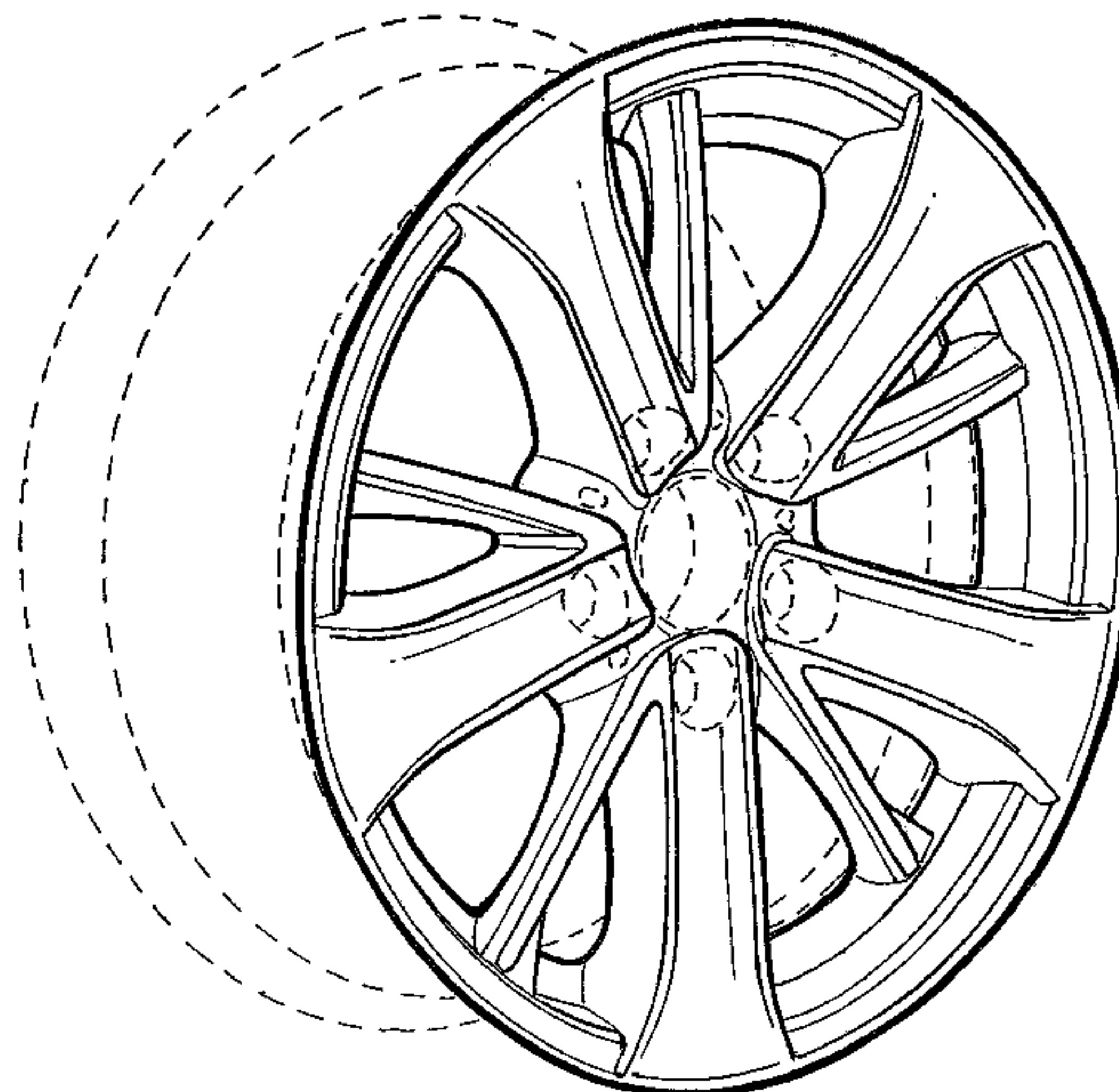
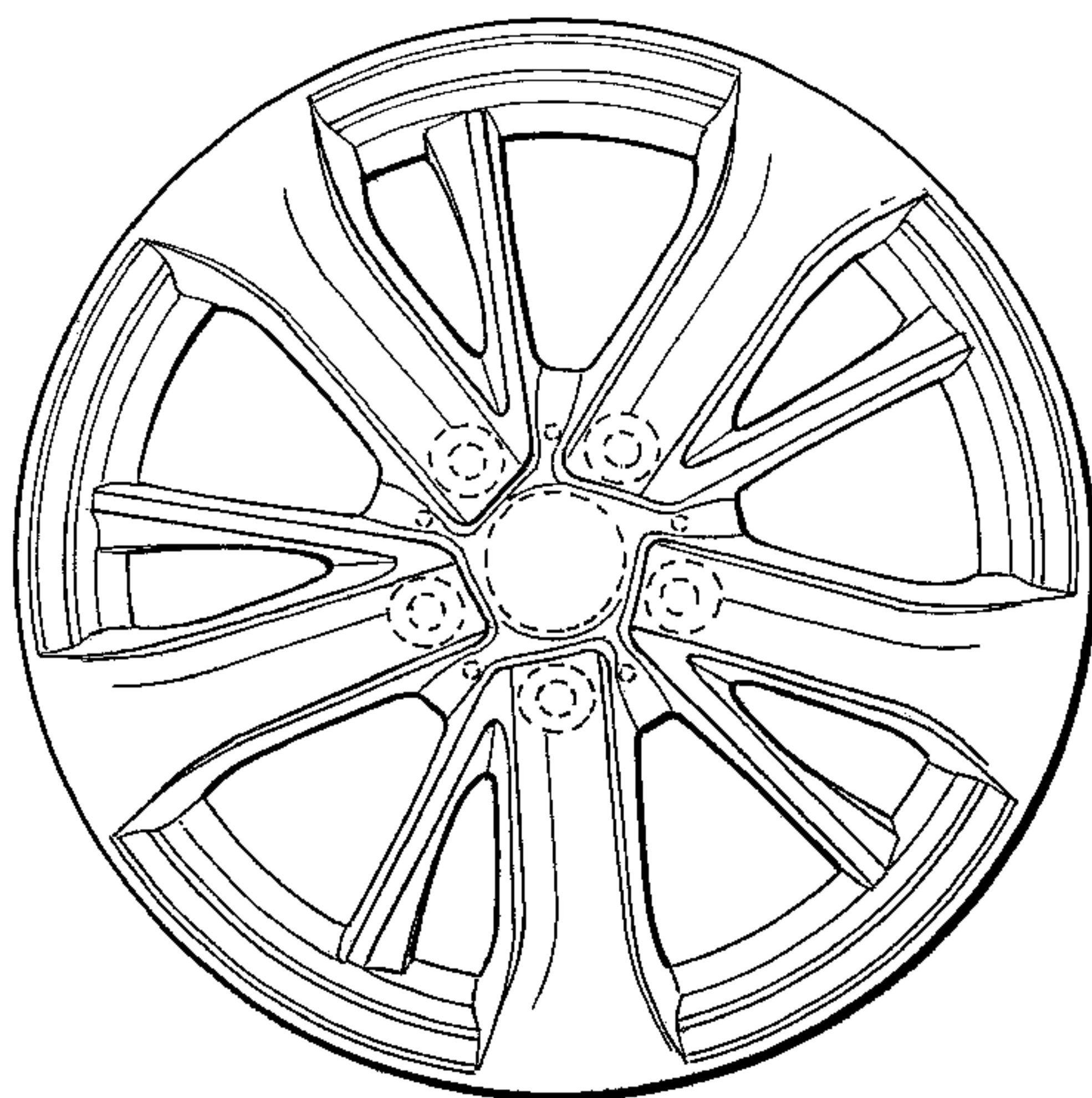
DESCRIPTION

FIG. 1 is a front view of a wheel or wheel cover according to the design; and,

FIG. 2 is a perspective view thereof.

The broken line showing of the rear of the wheel and the bolt holes and center opening in the central hub area is included for the purpose of illustrating environment and forms no part of the claimed design.

1 Claim, 1 Drawing Sheet



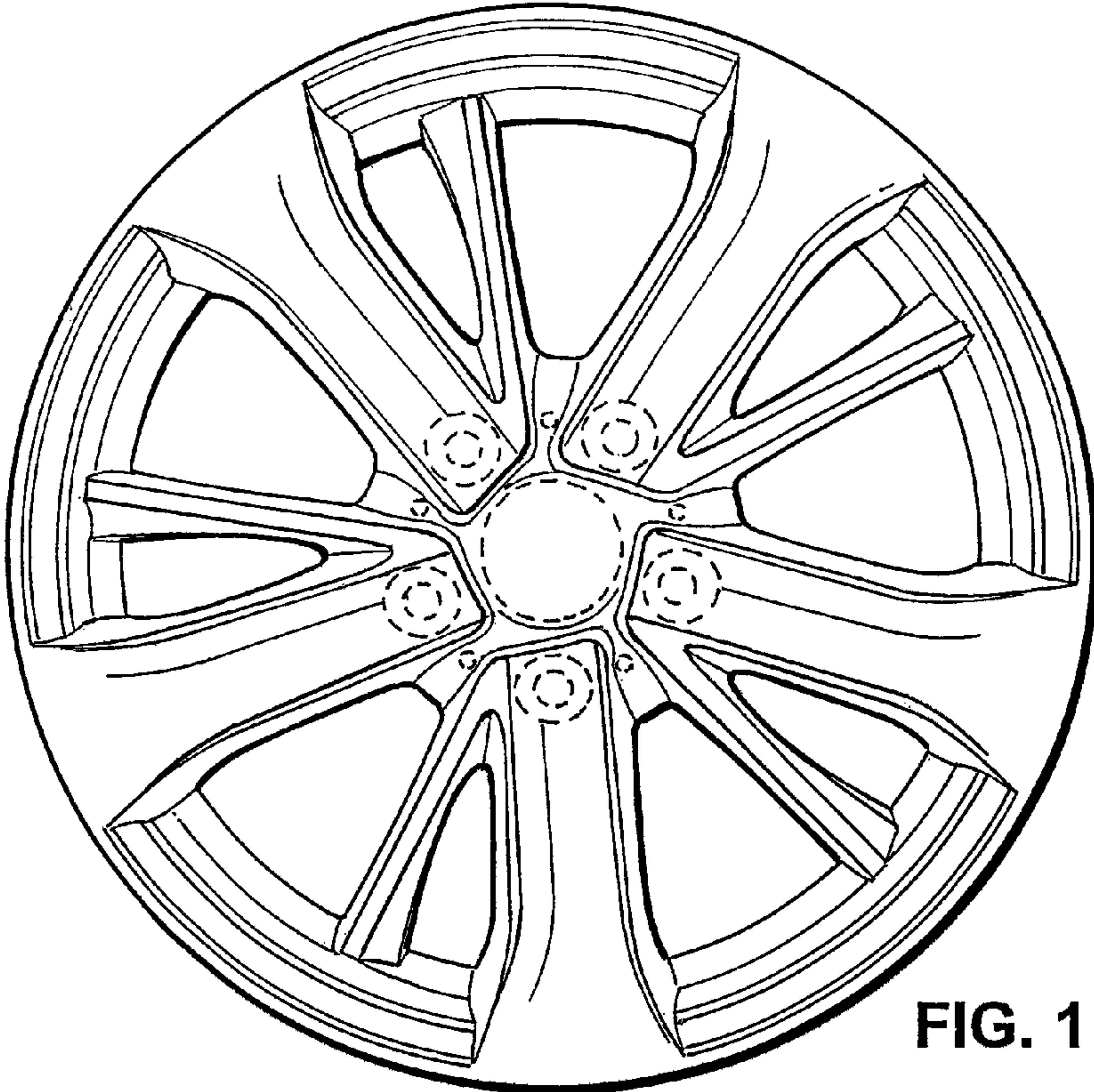


FIG. 1

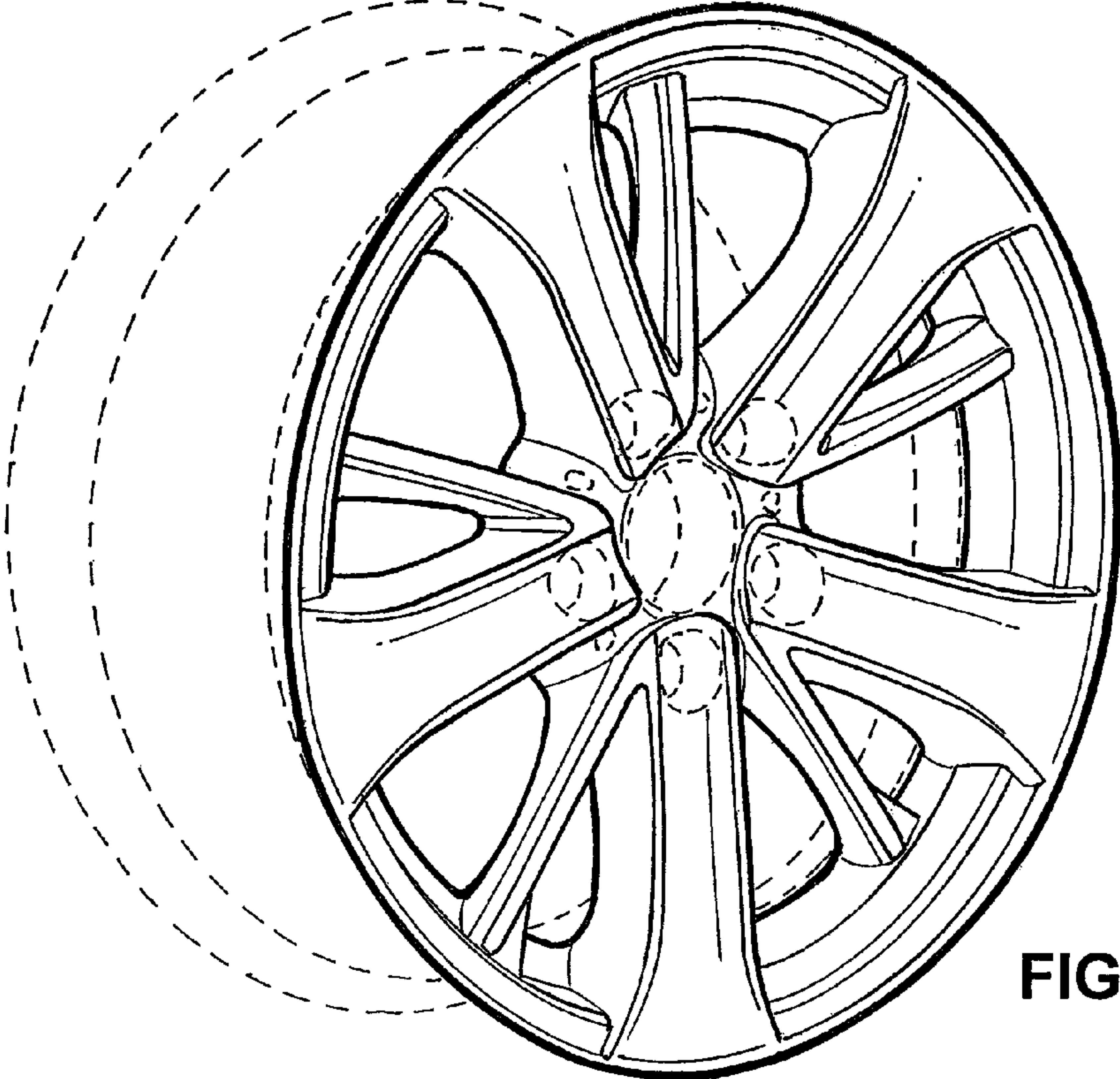


FIG. 2