



US00D688183S

(12) **United States Design Patent**
Gotschke et al.

(10) **Patent No.:** **US D688,183 S**

(45) **Date of Patent:** **** Aug. 20, 2013**

(54) **VEHICLE WHEEL**

(75) Inventors: **Wolfgang Gotschke**, Cologne (DE);
Ulrike Kolb, Cologne (DE)

(73) Assignee: **Ford Motor Company**, Dearborn, MI
(US)

(**) Term: **14 Years**

(21) Appl. No.: **29/405,448**

(22) Filed: **Nov. 2, 2011**

(51) **LOC (9) Cl.** **12-16**

(52) **U.S. Cl.**
USPC **D12/209**

(58) **Field of Classification Search**
USPC D12/204–213; 301/37.101, 64.101,
301/65, 64.201
See application file for complete search history.

(56) **References Cited**

U.S. PATENT DOCUMENTS

D419,941 S * 2/2000 Chung D12/209
D526,609 S * 8/2006 Hosoi D12/209
D535,933 S * 1/2007 Markefka D12/209

D573,079 S * 7/2008 Huet D12/209
D581,850 S * 12/2008 Leclercq D12/209
D615,916 S * 5/2010 Leone D12/211
D620,872 S * 8/2010 Juergens et al. D12/211
D627,698 S * 11/2010 Zhang D12/209
D658,561 S * 5/2012 Foose D12/209
D677,208 S * 3/2013 Gotschke D12/209

OTHER PUBLICATIONS

Aston Martin Brochure.
Car Advice, Oct. 5, 2011, 2013 Ford Mondeo Mule Spy Photot.
Ford EVOS Concept Brochure.

* cited by examiner

Primary Examiner — Stacia Cadmus

(74) *Attorney, Agent, or Firm* — Damian Porcari

(57) **CLAIM**

The ornamental design for a vehicle wheel, as shown and described.

DESCRIPTION

FIG. 1 is a front view of a vehicle wheel; and,
FIG. 2 is a perspective view of the vehicle wheel.

1 Claim, 2 Drawing Sheets

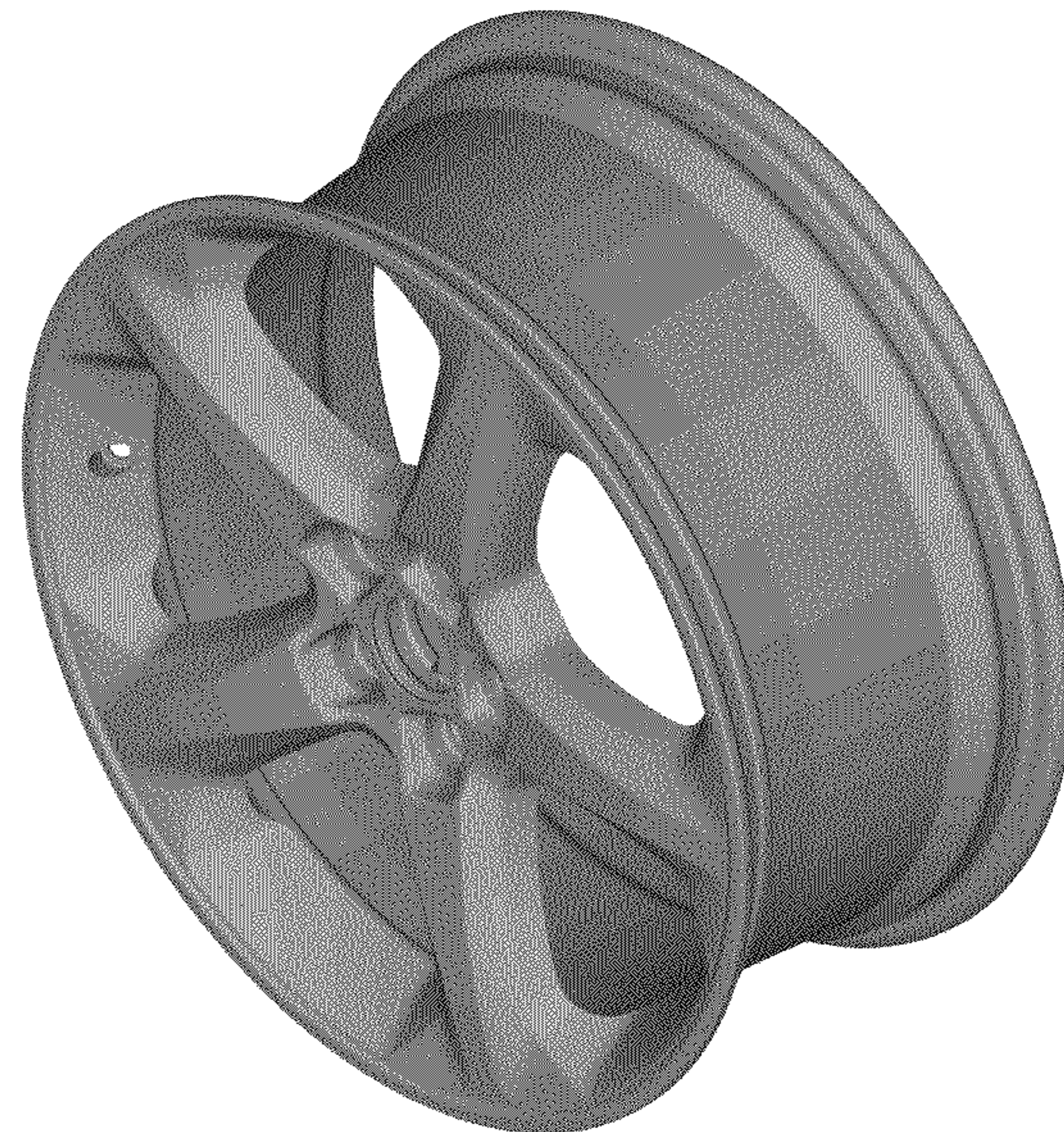
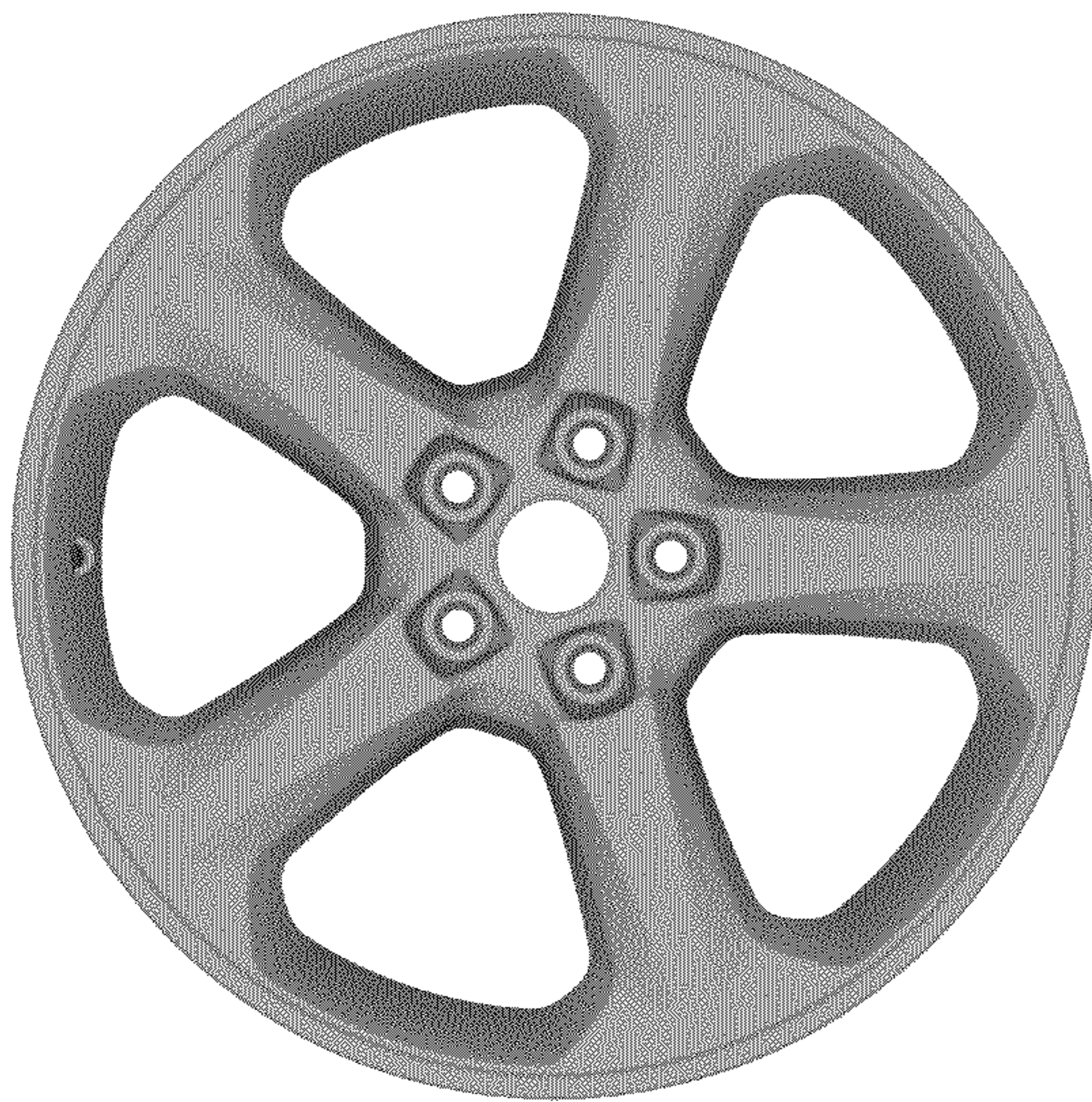




Figure 1

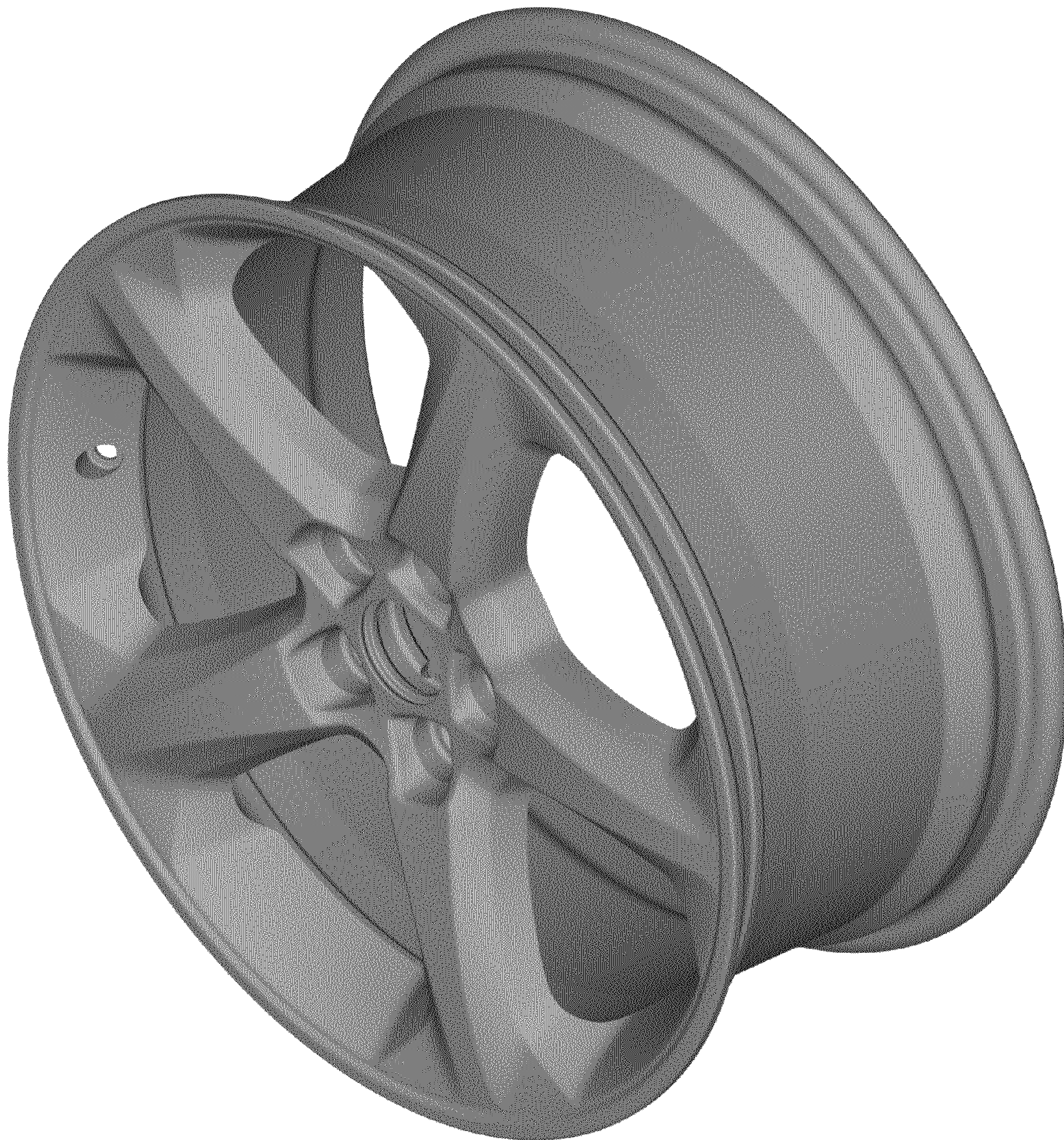


Figure 2