



US00D688182S

(12) **United States Design Patent**
Gotschke et al.

(10) **Patent No.:** **US D688,182 S**

(45) **Date of Patent:** **** Aug. 20, 2013**

(54) **VEHICLE WHEEL**

(75) Inventors: **Wolfgang Gotschke**, Cologne (DE);
Ulrike Kolb, Cologne (DE)

(73) Assignee: **Ford Motor Company**, Dearborn, MI
(US)

(**) Term: **14 Years**

(21) Appl. No.: **29/405,439**

(22) Filed: **Nov. 2, 2011**

(51) **LOC (9) Cl.** **12-16**

(52) **U.S. Cl.**
USPC **D12/209**

(58) **Field of Classification Search**
USPC D12/204–213; 301/37.101, 64.101,
301/65, 64.201
See application file for complete search history.

(56) **References Cited**

U.S. PATENT DOCUMENTS

D391,543 S *	3/1998	Renkert	D12/209
D433,659 S *	11/2000	Frizzi	D12/211
D450,647 S *	11/2001	Pfeiffer	D12/211
D484,839 S *	1/2004	Scheu	D12/209
D486,437 S *	2/2004	Hieke	D12/211
D487,046 S *	2/2004	Yamagishi	D12/209
D487,418 S *	3/2004	Hieke	D12/211

D491,872 S *	6/2004	Lai	D12/211
D509,782 S *	9/2005	Pollmann	D12/209
D510,554 S *	10/2005	Markefka	D12/211
D519,435 S *	4/2006	Nodera	D12/211
D520,431 S *	5/2006	Truebsbach	D12/209
D530,252 S *	10/2006	Gabath	D12/209
D542,211 S *	5/2007	Hieke	D12/211
D544,823 S *	6/2007	Hieke	D12/211
D558,114 S *	12/2007	Pollmann	D12/209
D567,735 S *	4/2008	Young	D12/209
D569,776 S *	5/2008	Hieke	D12/211
D582,330 S *	12/2008	Hieke	D12/209
D625,236 S *	10/2010	Hildebrand et al.	D12/209
D648,254 S *	11/2011	Barry	D12/209
D677,207 S *	3/2013	Gotschke	D12/209

OTHER PUBLICATIONS

Car Advice, Oct. 5, 2011, 2013 Ford Mondeo Mule Spy Photot.

* cited by examiner

Primary Examiner — Stacia Cadmus

(74) *Attorney, Agent, or Firm* — Damian Porcari

(57) **CLAIM**

The ornamental design for a vehicle wheel, as shown and described.

DESCRIPTION

FIG. 1 is a front view of a vehicle wheel; and,
FIG. 2 is a perspective view of the vehicle wheel.

1 Claim, 2 Drawing Sheets

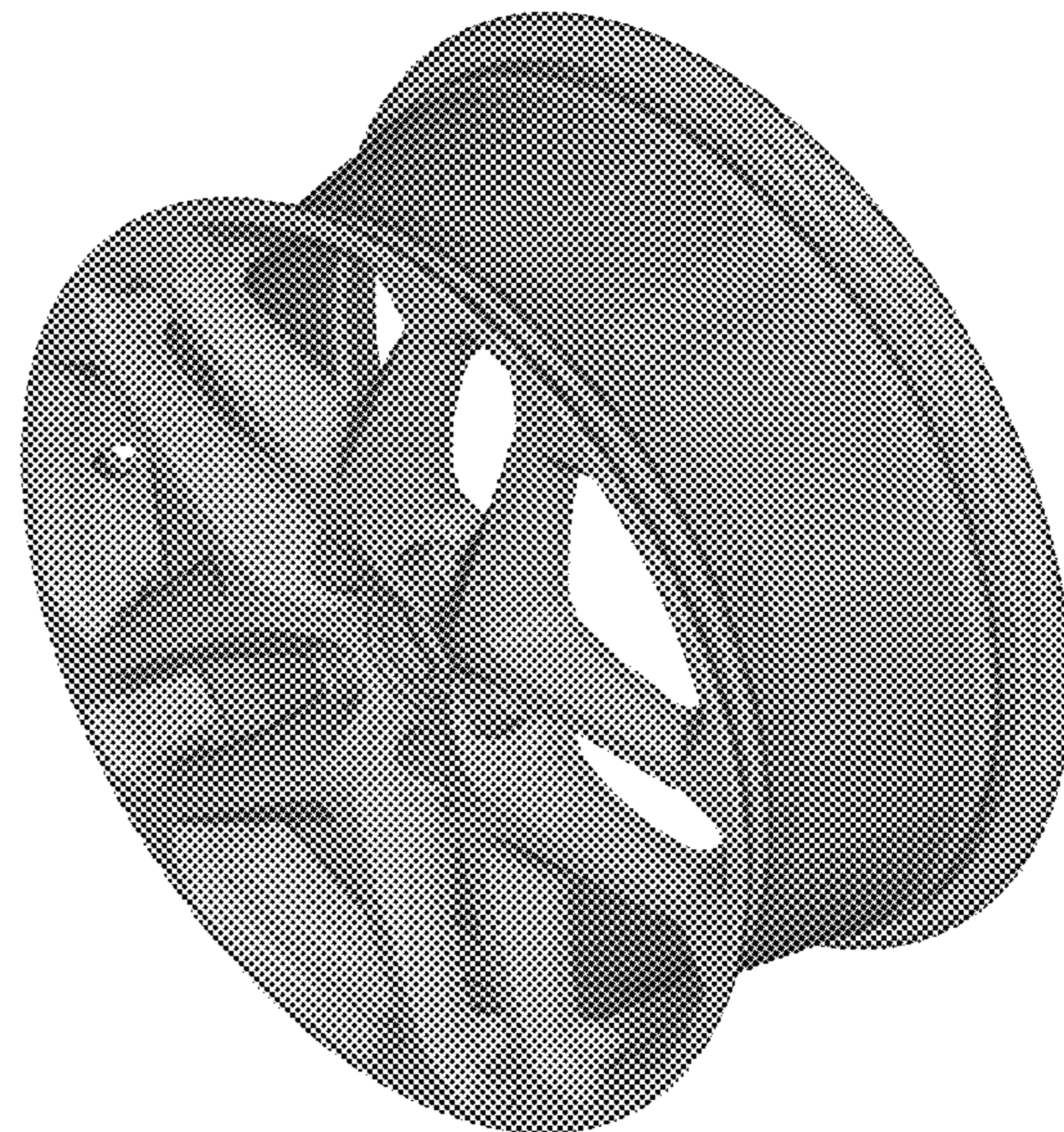
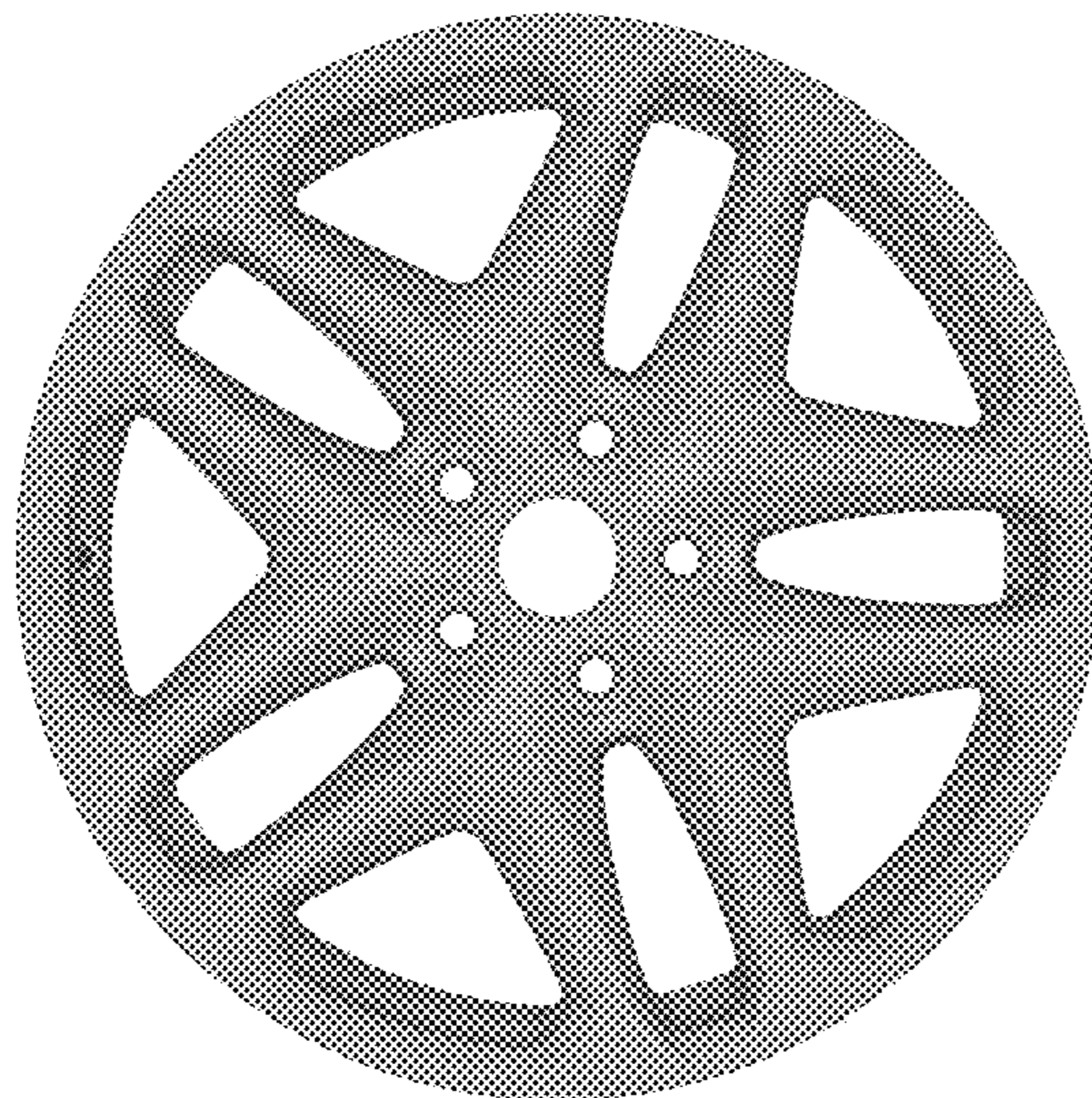




Figure 1

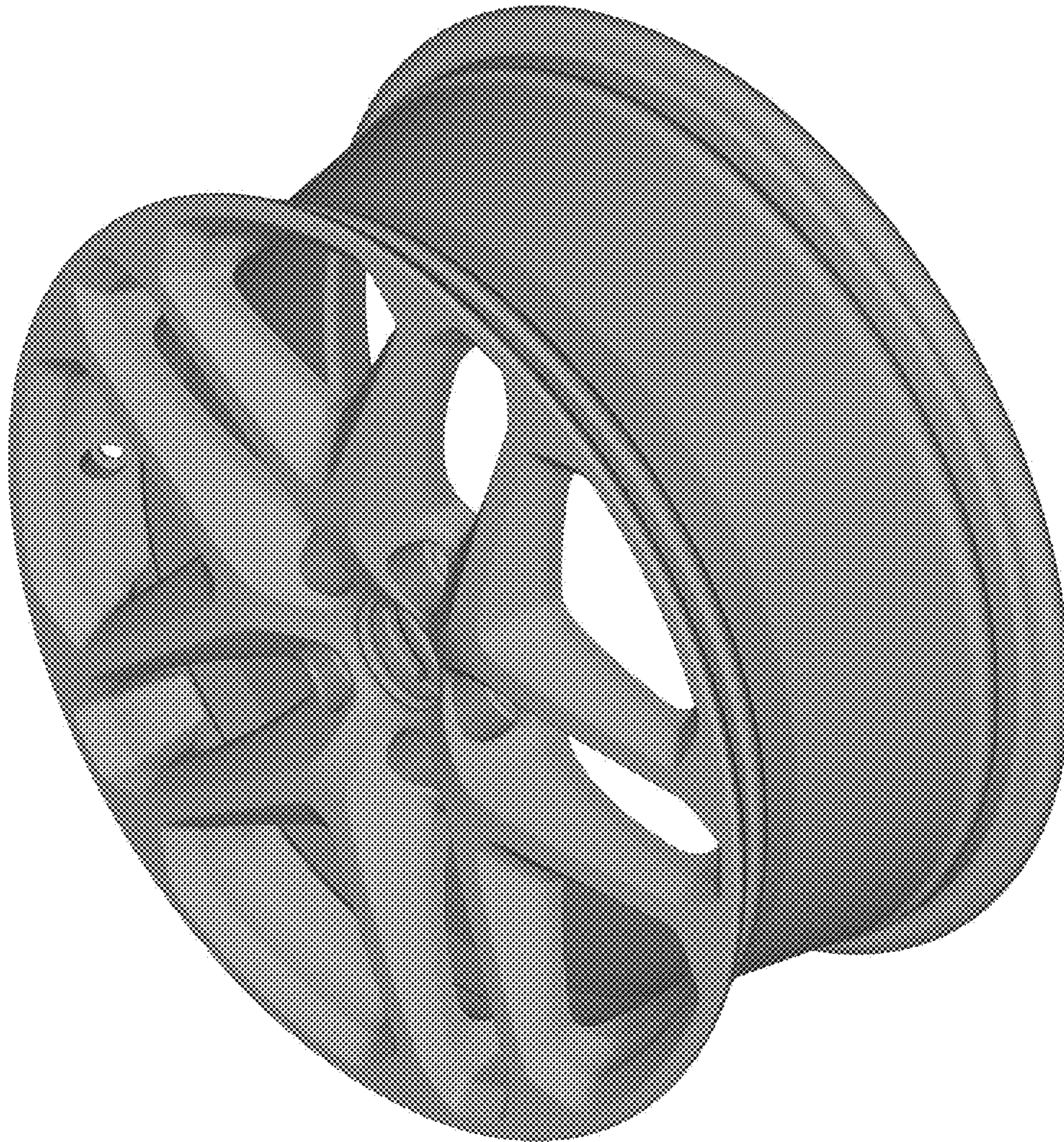


Figure 2