



US00D688181S

(12) **United States Design Patent**  
**Gotschke et al.**

(10) **Patent No.:** **US D688,181 S**

(45) **Date of Patent:** **\*\* Aug. 20, 2013**

(54) **VEHICLE WHEEL**

(75) Inventors: **Wolfgang Gotschke**, Cologne (DE);  
**Ulrike Kolb**, Cologne (DE)

(73) Assignee: **Ford Motor Company**, Dearborn, MI  
(US)

(\*\*) Term: **14 Years**

(21) Appl. No.: **29/405,435**

(22) Filed: **Nov. 2, 2011**

(51) **LOC (9) Cl.** ..... **12-16**

(52) **U.S. Cl.**  
USPC ..... **D12/209**

(58) **Field of Classification Search**  
USPC ..... D12/204–213; 301/37.101, 64.101,  
301/65, 64.201  
See application file for complete search history.

(56) **References Cited**

**U.S. PATENT DOCUMENTS**

D428,846 S \* 8/2000 Yoshida et al. .... D12/211  
D623,115 S \* 9/2010 Juergens et al. .... D12/211

D651,956 S \* 1/2012 Ectors et al. .... D12/209  
D666,952 S \* 9/2012 Pollmann ..... D12/209  
D666,957 S \* 9/2012 Antoniadis et al. .... D12/211  
D669,008 S \* 10/2012 von Holzhausen et al. . D12/211  
D670,632 S \* 11/2012 Schweizer ..... D12/211  
D673,093 S \* 12/2012 Platto et al. .... D12/209  
D673,102 S \* 12/2012 Behmer et al. .... D12/211

**OTHER PUBLICATIONS**

Car Advice, Oct. 5, 2011, 2013 Ford Mondeo Mule Spy Photot.

\* cited by examiner

*Primary Examiner* — Stacia Cadmus

(74) *Attorney, Agent, or Firm* — Damian Porcari

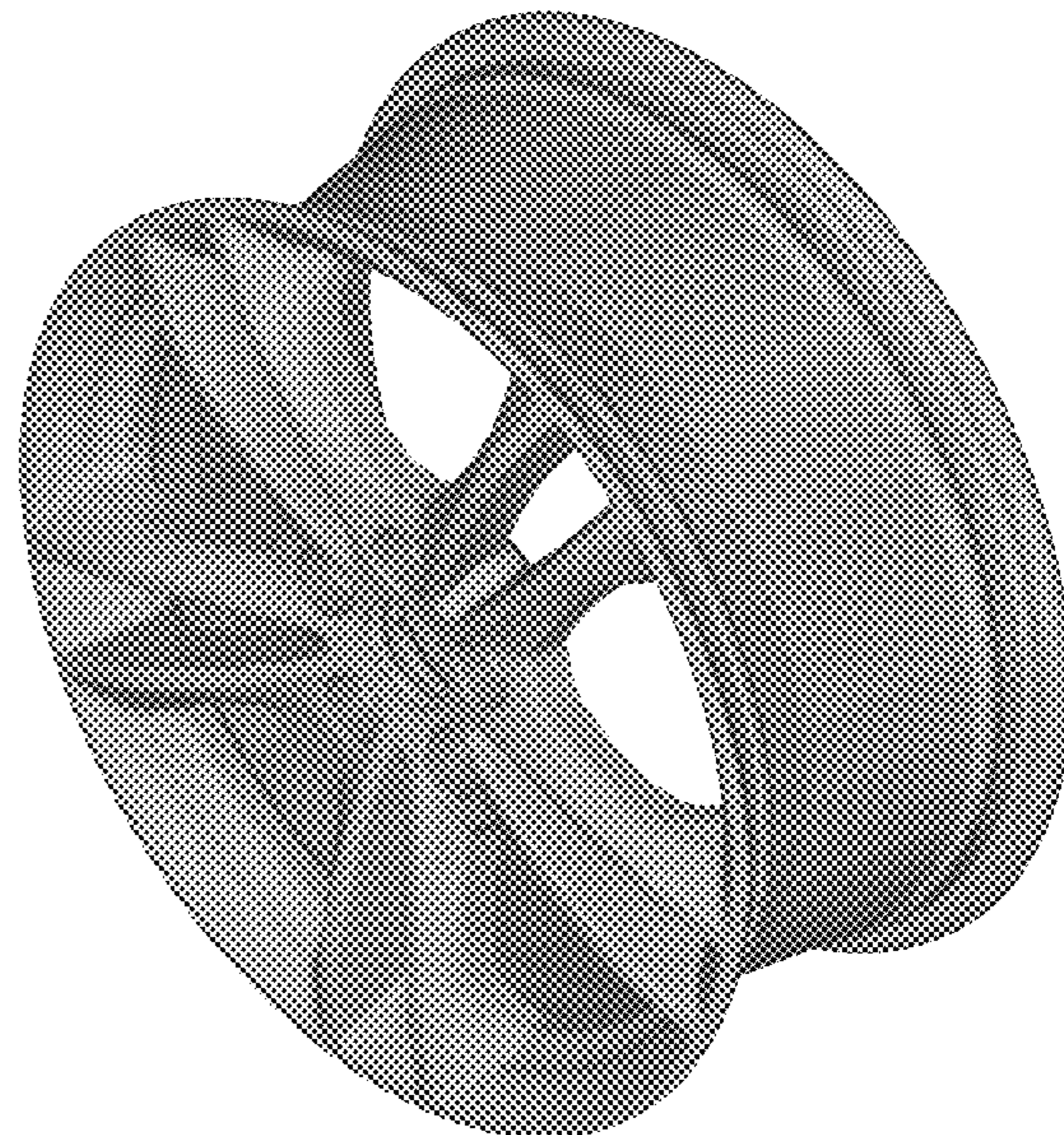
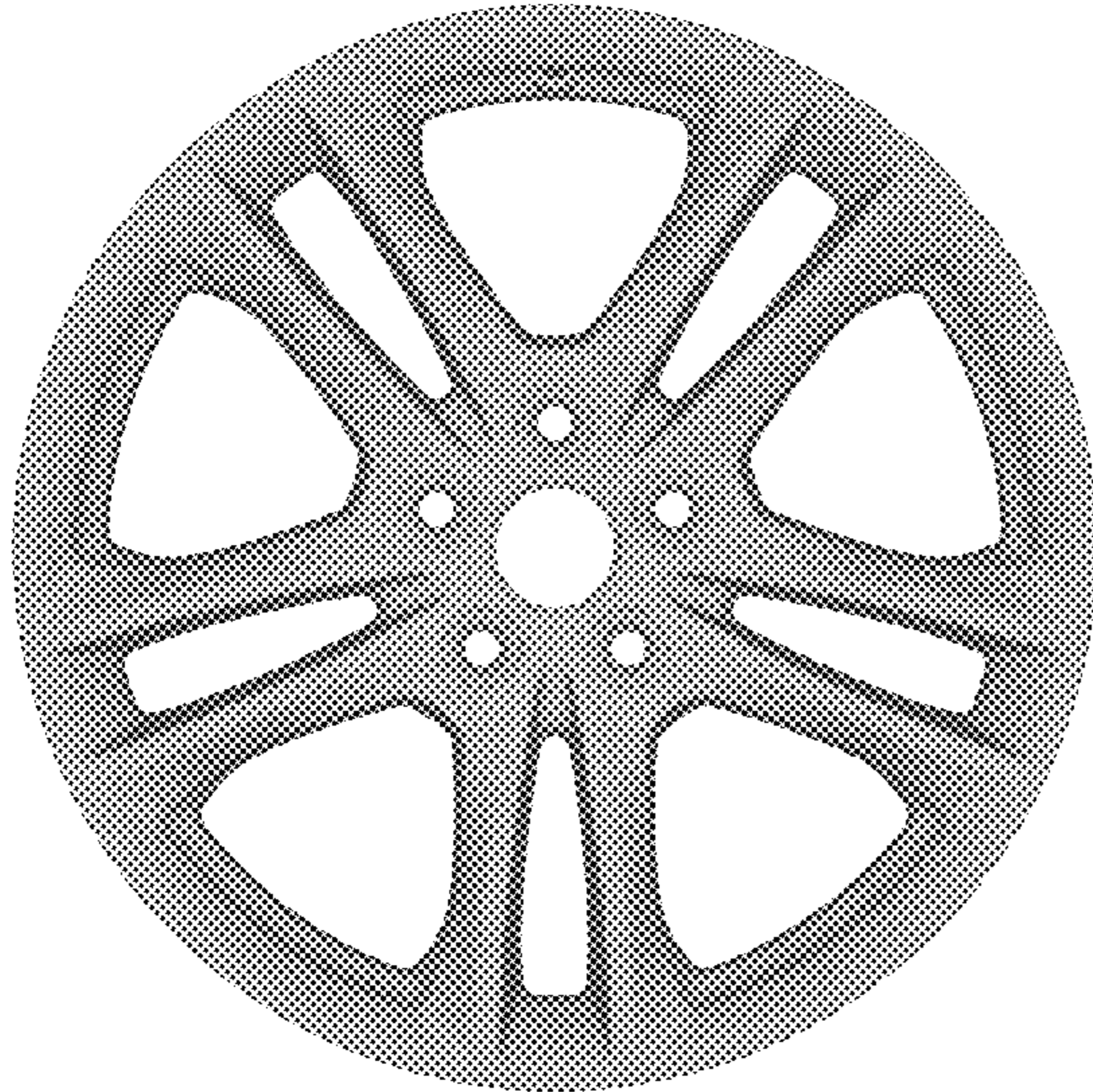
(57) **CLAIM**

The ornamental design for a vehicle wheel, as shown and described.

**DESCRIPTION**

FIG. 1 is a front view of a vehicle wheel; and,  
FIG. 2 is a perspective view of the vehicle wheel.

**1 Claim, 2 Drawing Sheets**

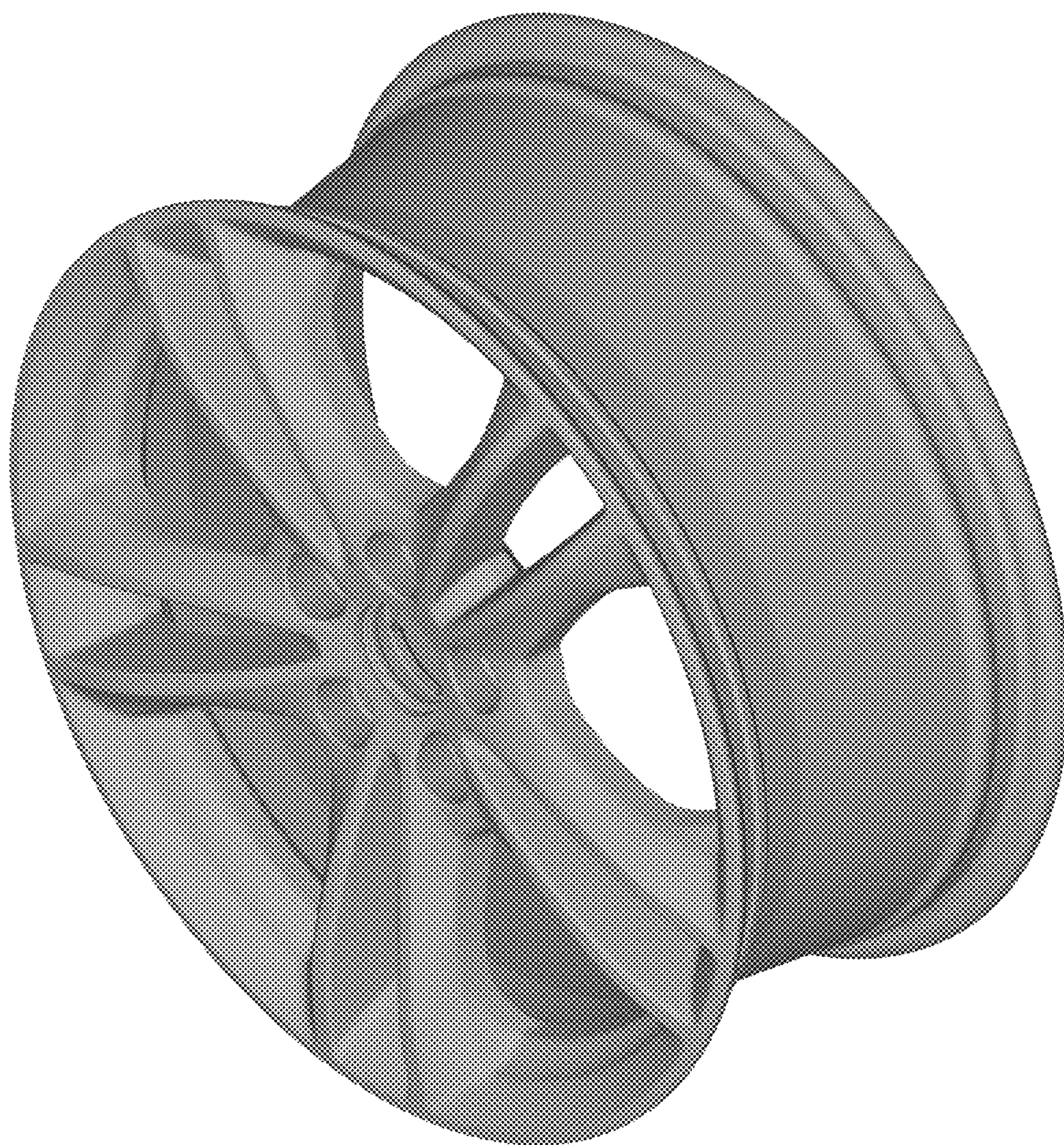






*Figure 1*





*Figure 2*