



US00D688176S

(12) **United States Design Patent**
Campbell et al.

(10) **Patent No.:** **US D688,176 S**

(45) **Date of Patent:** **** Aug. 20, 2013**

(54) **VEHICLE MIRROR**

(56) **References Cited**

(71) Applicant: **Ford Global Technologies, LLC**,
Dearborn, MI (US)

(72) Inventors: **Paul Campbell**, Essex (GB); **Jordan Bennett**, London (GB); **Mark Pearson**,
Northampton (GB)

U.S. PATENT DOCUMENTS

D575,708 S * 8/2008 Courbon et al. D12/187
D578,942 S * 10/2008 Courbon et al. D12/187
D610,060 S * 2/2010 Meier et al. D12/187
D610,513 S * 2/2010 Meier et al. D12/187
7,856,693 B1 * 12/2010 Johnson 15/250.003
D636,308 S * 4/2011 Reimchen et al. D12/187

(73) Assignee: **Ford Motor Company**, Dearborn, MI
(US)

* cited by examiner

Primary Examiner — Katrina A Betton

(**) Term: **14 Years**

(74) *Attorney, Agent, or Firm* — Damian Porcari

(21) Appl. No.: **29/435,956**

(57) **CLAIM**

The ornamental design for a vehicle mirror, shown and described.

(22) Filed: **Oct. 31, 2012**

DESCRIPTION

(30) **Foreign Application Priority Data**

May 4, 2012 (DE) 40 2012 100 339

(51) **LOC (9) Cl.** **12-16**

(52) **U.S. Cl.**
USPC **D12/187**

(58) **Field of Classification Search**
USPC D12/187, 188–189; D6/300, 309;
359/838, 841, 842, 843, 844, 868, 871, 604,
359/881, 514, 866; 248/479–483, 475.1
See application file for complete search history.

FIG. 1 is a left side elevational view of a left vehicle mirror (the right vehicle mirror being a mirror image and is not shown);

FIG. 2 is right side elevational view of the vehicle mirror;

FIG. 3 is a front elevational view of the vehicle mirror;

FIG. 4 is a rear elevational view of the vehicle mirror;

FIG. 5 is a top plan view of the vehicle mirror;

FIG. 6 is a bottom plan view of the vehicle mirror;

FIG. 7 is a perspective view of the vehicle mirror; and,

FIG. 8 is another perspective view of the vehicle mirror.

1 Claim, 8 Drawing Sheets



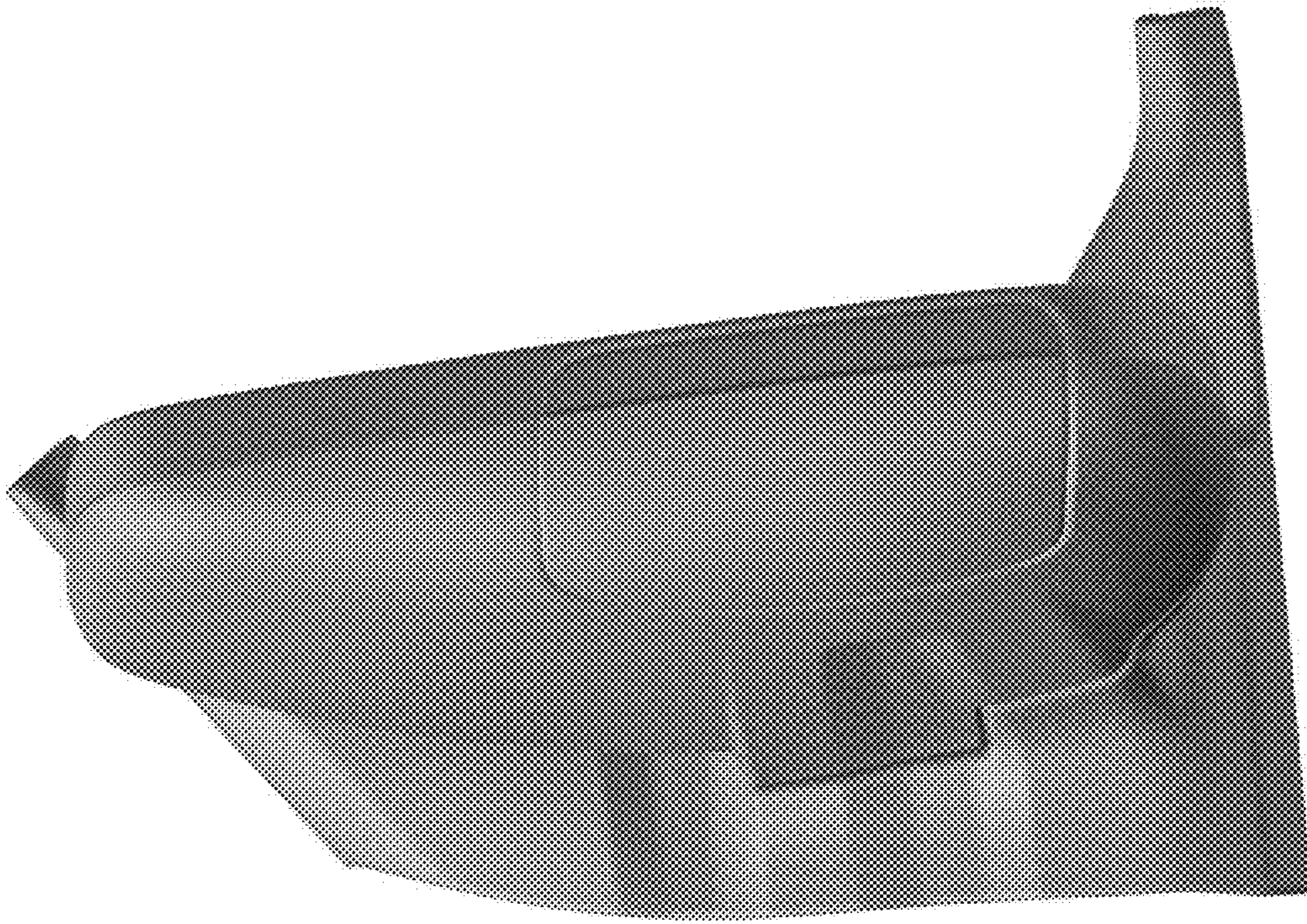


Figure 1

Figure 2

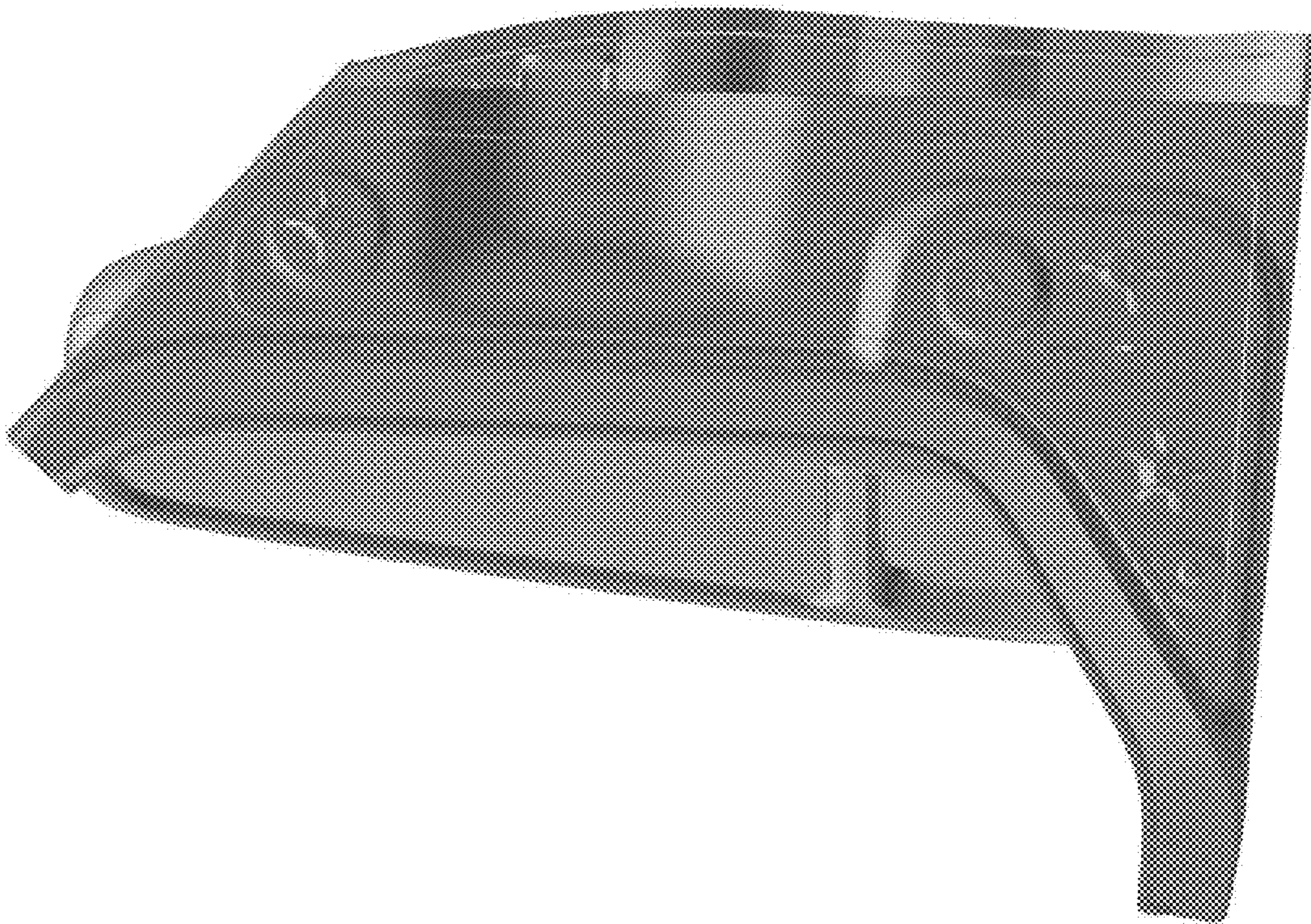


Figure 3



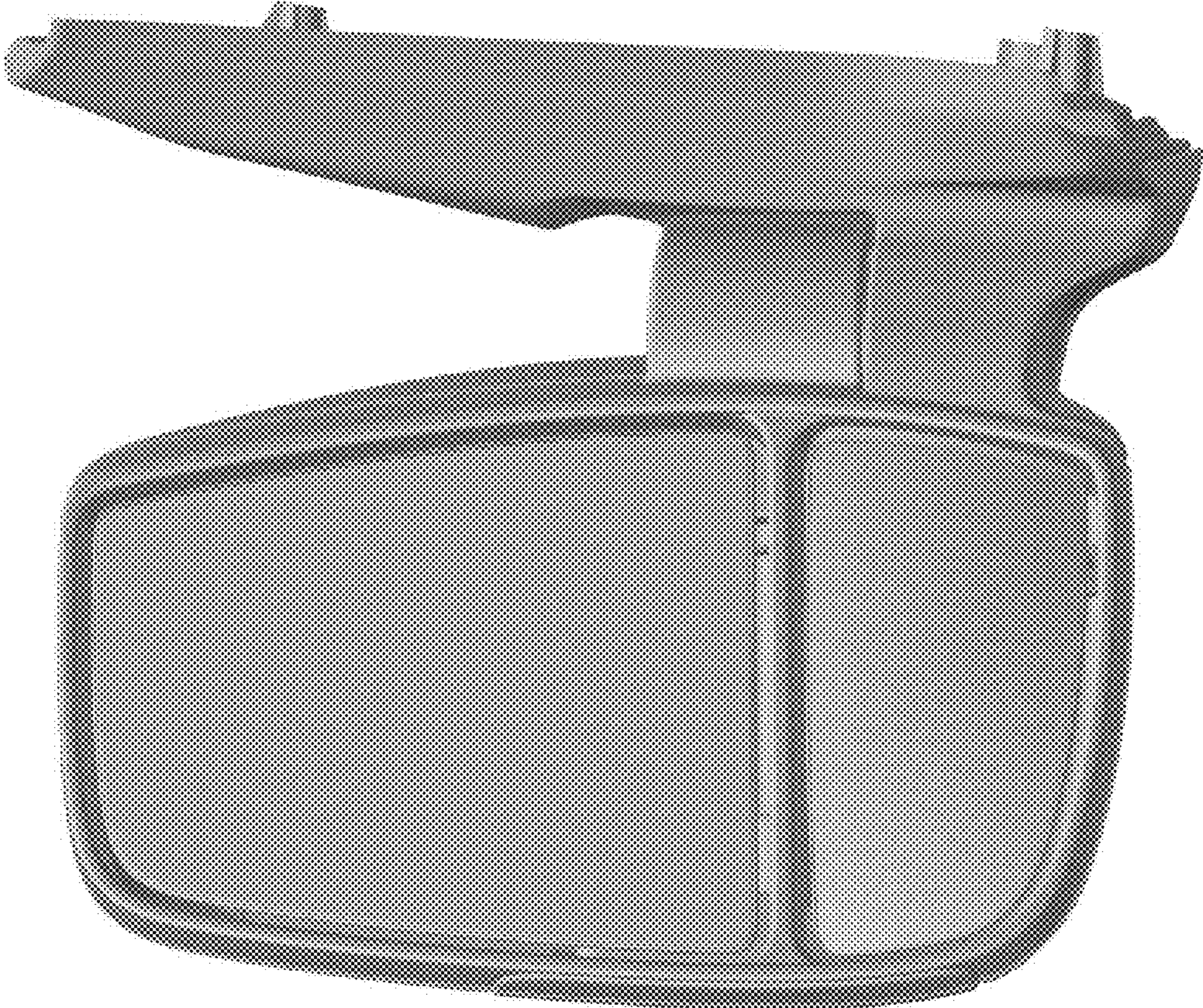


Figure 4

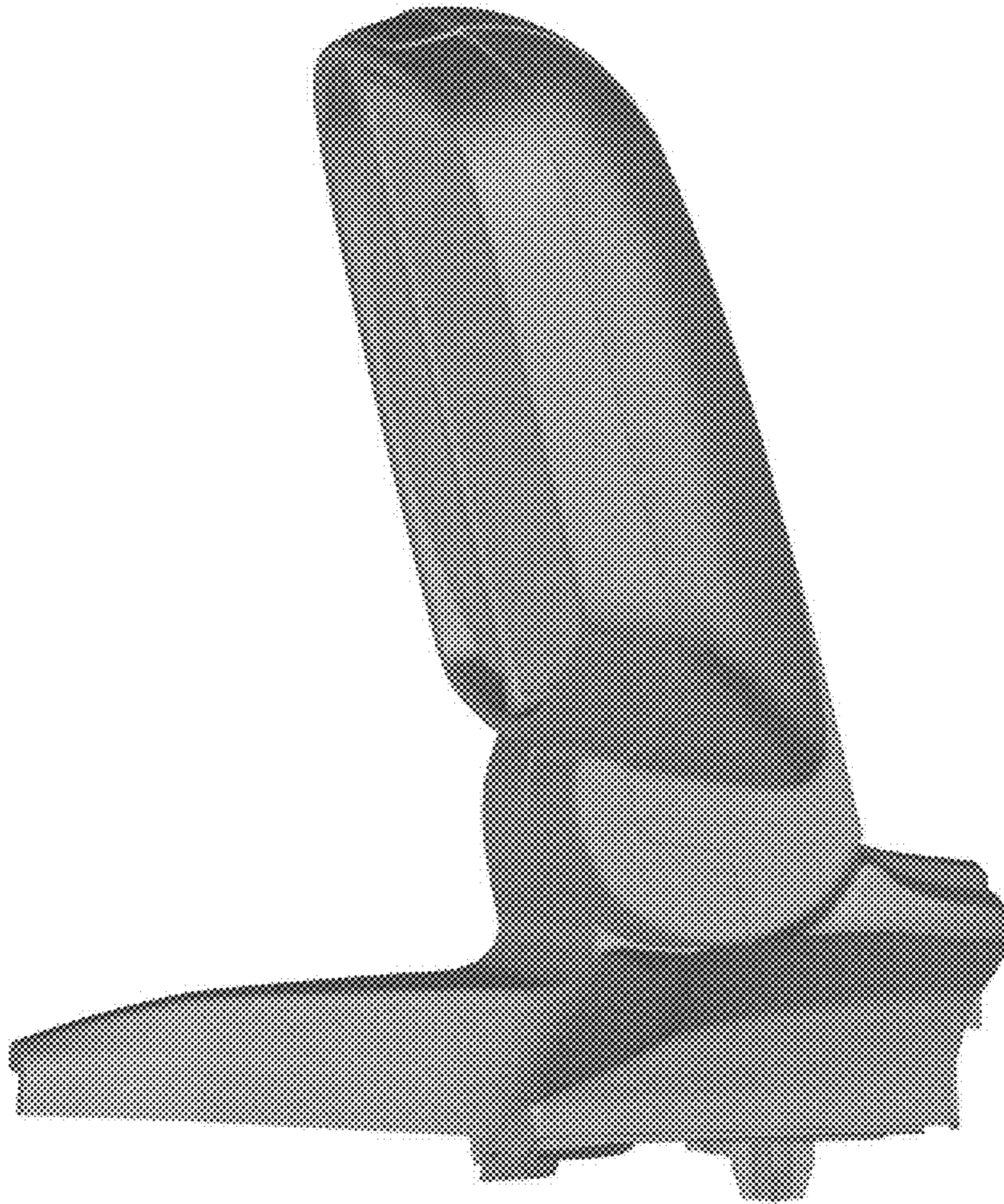


Figure 5

Figure 6



Figure 7



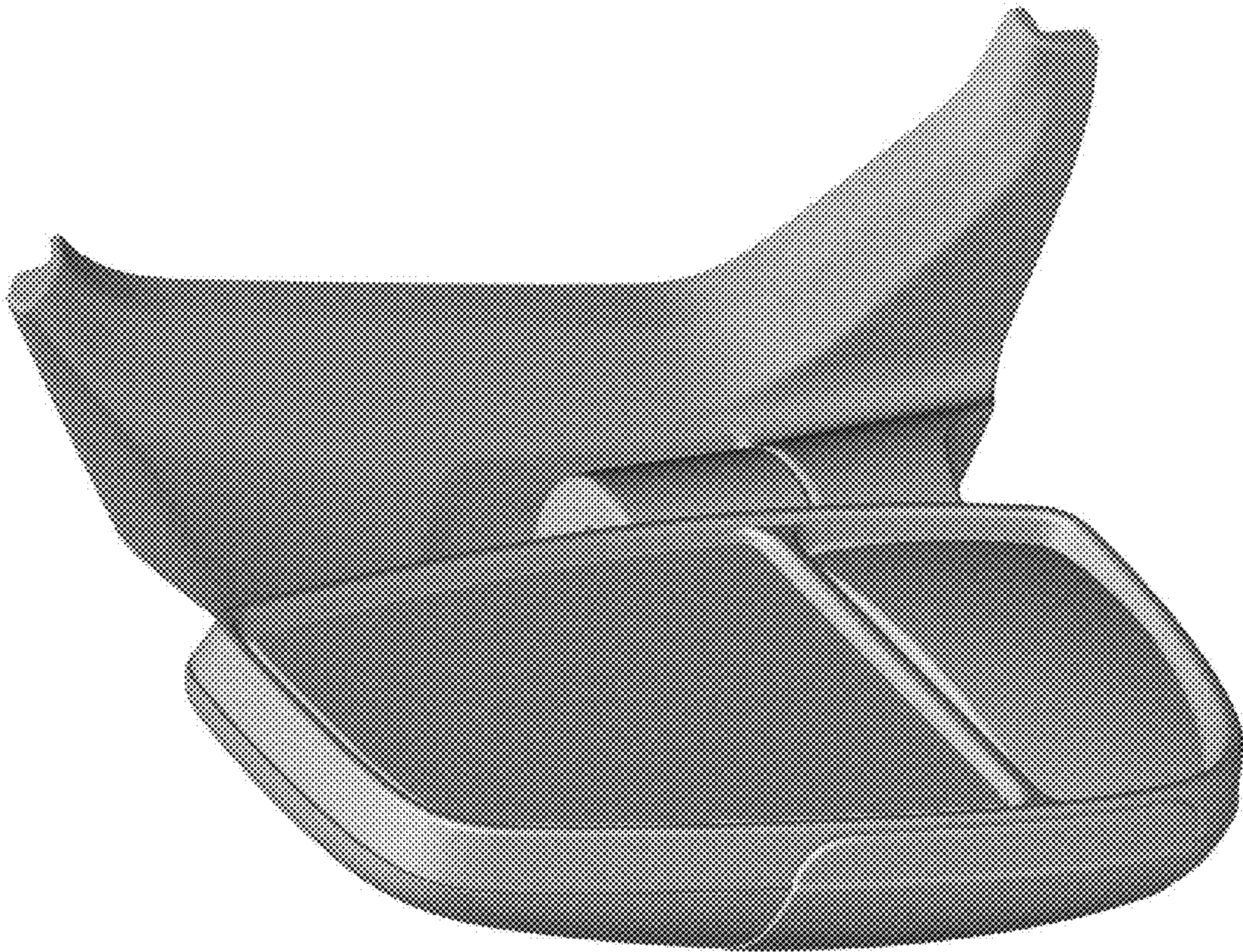


Figure 8