



US00D688174S

(12) **United States Design Patent**  
**Fetherston et al.**

(10) **Patent No.:** **US D688,174 S**

(45) **Date of Patent:** **\*\* Aug. 20, 2013**

(54) **REAR PORTION OF A VEHICLE, TOY,  
AND/OR REPLICAS THEREOF**

D664,482 S \* 7/2012 Futschik et al. .... D12/164

\* cited by examiner

(75) Inventors: **Mark Fetherston**, Stuttgart (DE);  
**Robert Lesnik**, Stuttgart (DE); **Gorden  
Wagener**, Stuttgart (DE)

*Primary Examiner* — Melody Brown

(74) *Attorney, Agent, or Firm* — Crowell & Moring LLP

(73) Assignee: **Daimler AG**, Stuttgart (DE)

(57) **CLAIM**

The ornamental design for a rear portion of a vehicle, toy,  
and/or replicas thereof, as shown and described.

(\*\*) Term: **14 Years**

(21) Appl. No.: **29/423,327**

**DESCRIPTION**

(22) Filed: **May 31, 2012**

(30) **Foreign Application Priority Data**

Feb. 29, 2012 (EM) ..... 002000281-0003

(51) **LOC (9) Cl.** ..... **12-16**

(52) **U.S. Cl.**  
USPC ..... **D12/164**

(58) **Field of Classification Search**  
USPC ..... D12/86, 90-92, 162; D21/424, 433,  
D21/434; 296/181.1, 181.5

See application file for complete search history.

(56) **References Cited**

**U.S. PATENT DOCUMENTS**

D560,556 S \* 1/2008 Pfeiffer ..... D12/92  
D634,677 S \* 3/2011 Futschik et al. .... D12/164

This application contains subject matter related to the follow-  
ing co-pending U.S. design patent applications:

Application Ser. No. 29/423,325, filed herewith and entitled  
“Vehicle, Toy, and/or Replicas Thereof”;

Application Ser. No. 29/423,329, filed herewith and entitled  
“Vehicle, Toy, and/or Replicas Thereof”; and

Application Ser. No. 29/423,331, filed herewith and entitled  
“Rear Portion of a Vehicle, Toy, and/or Replicas Thereof”.

FIG. 1 is a left, front perspective view of a rear portion of a  
vehicle, toy, and/or replicas thereof according to our design,  
the right, front perspective being mirror symmetrical;

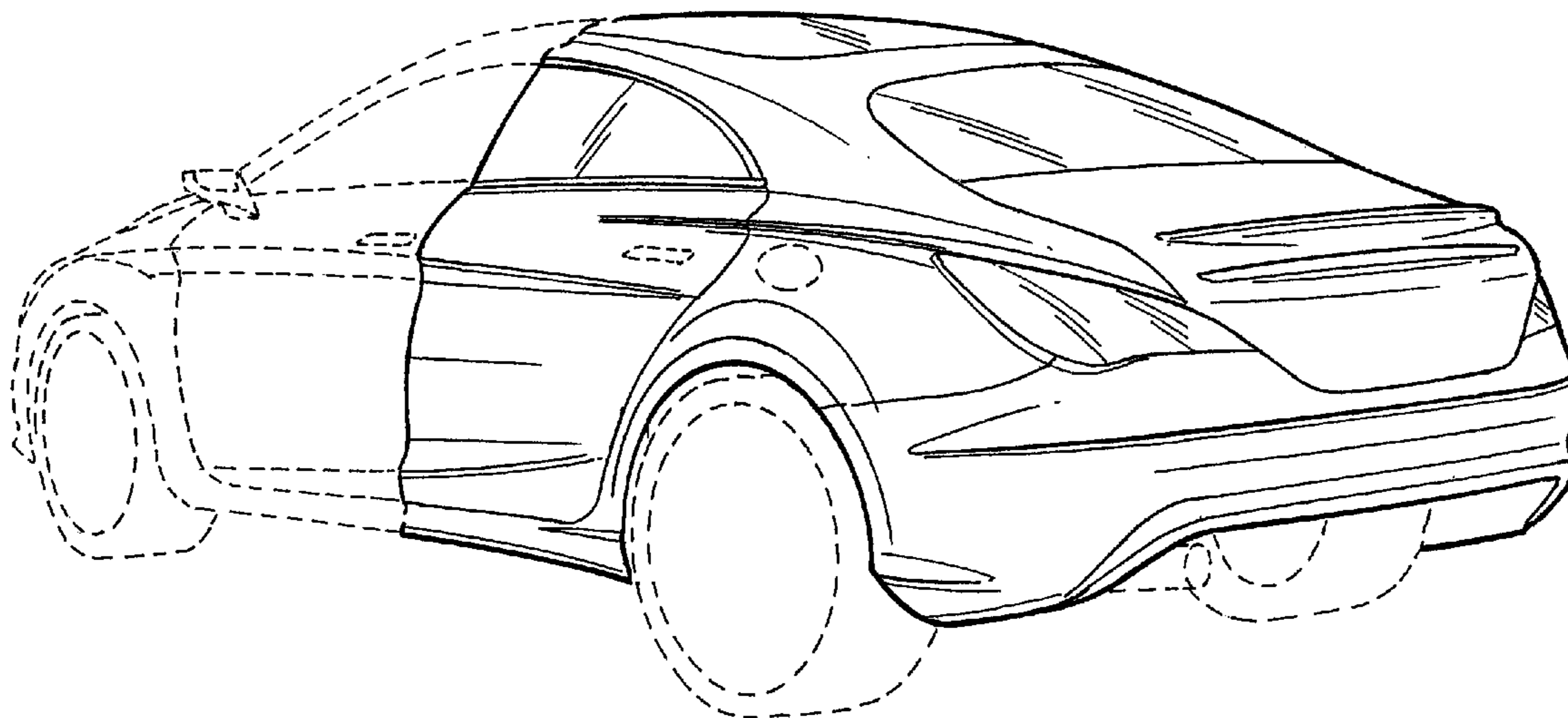
FIG. 2 is a front view thereof;

FIG. 3 is a left side view thereof; and,

FIG. 4 is a top view thereof.

The broken lines are for illustrative purposes only and form  
no part of the claimed design.

**1 Claim, 3 Drawing Sheets**



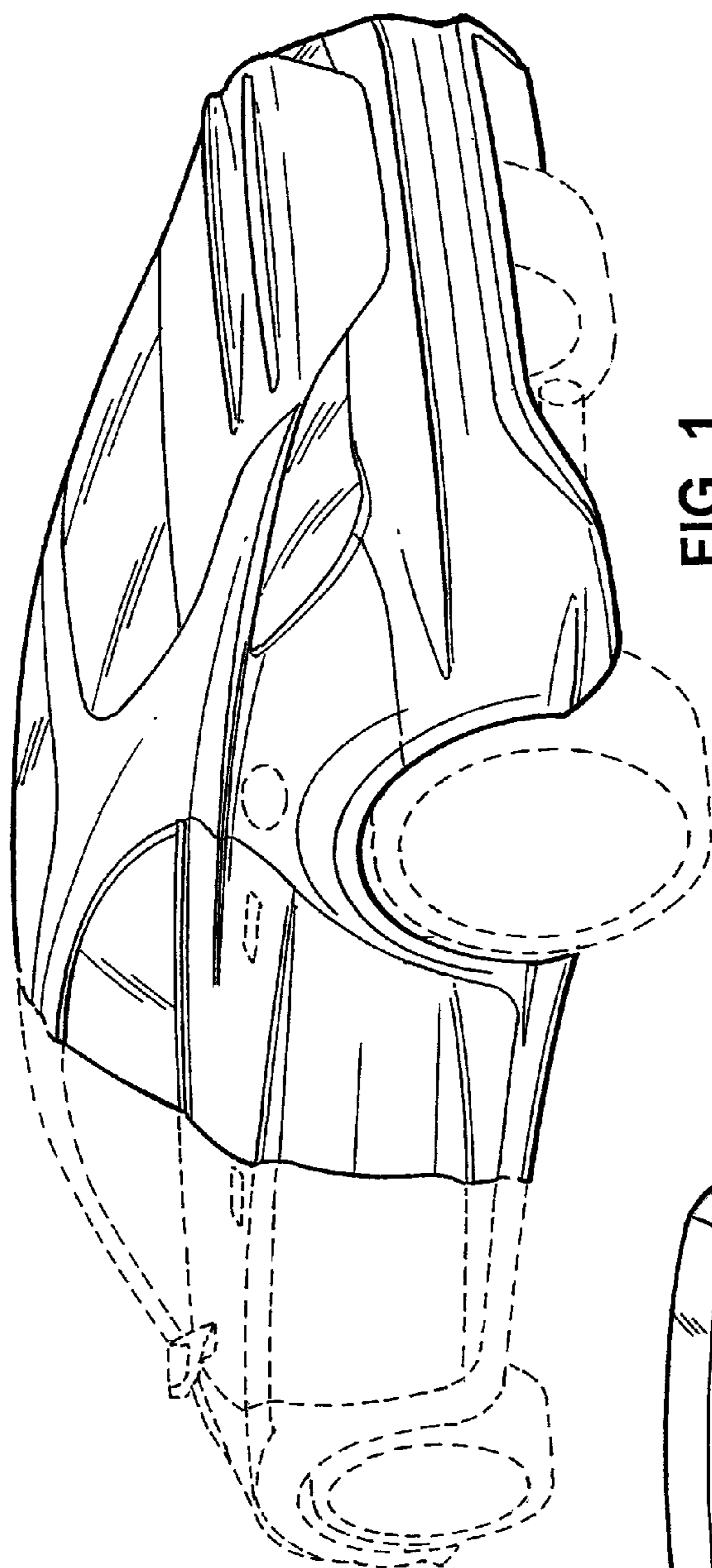


FIG. 1

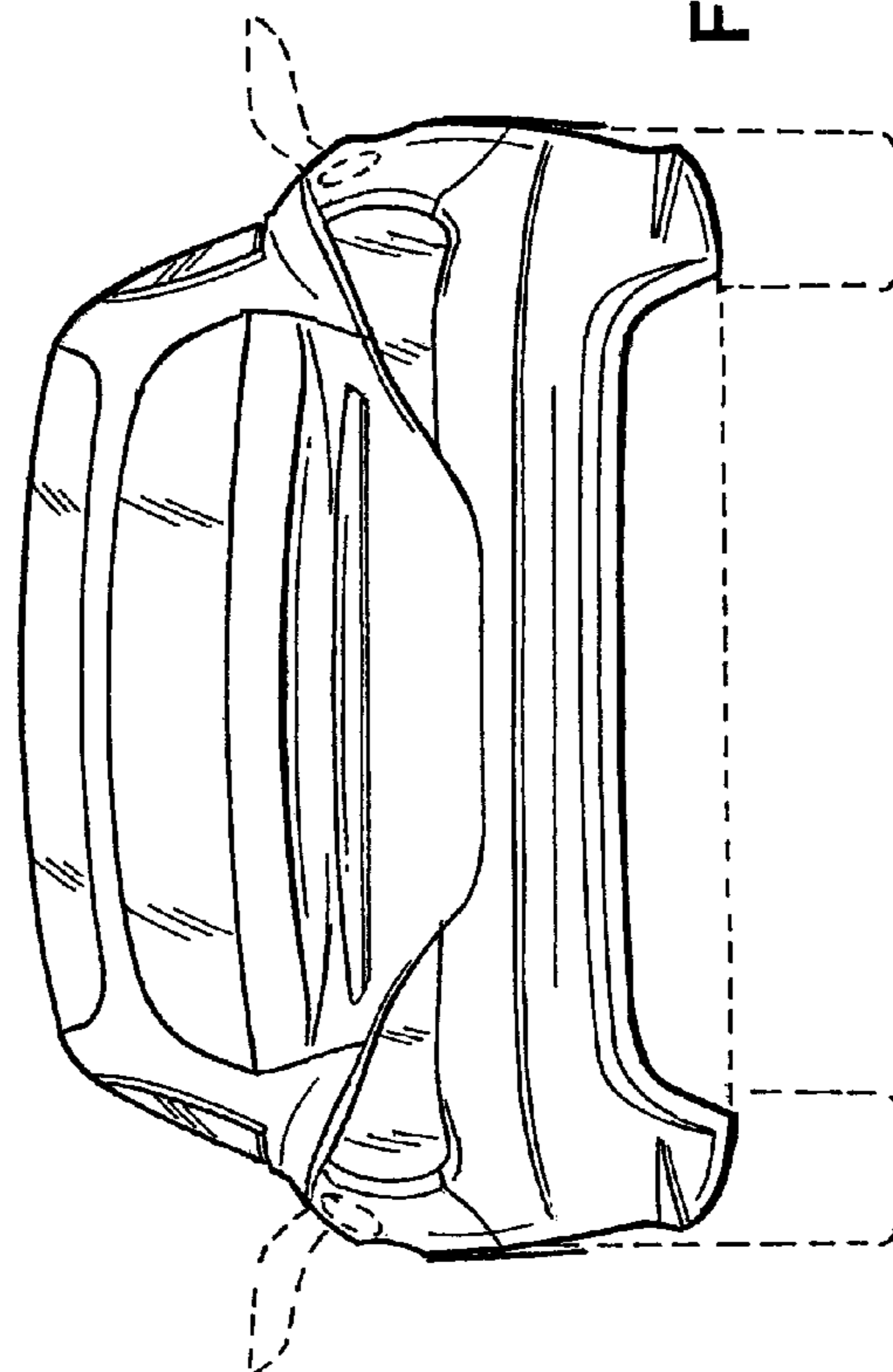


FIG. 2

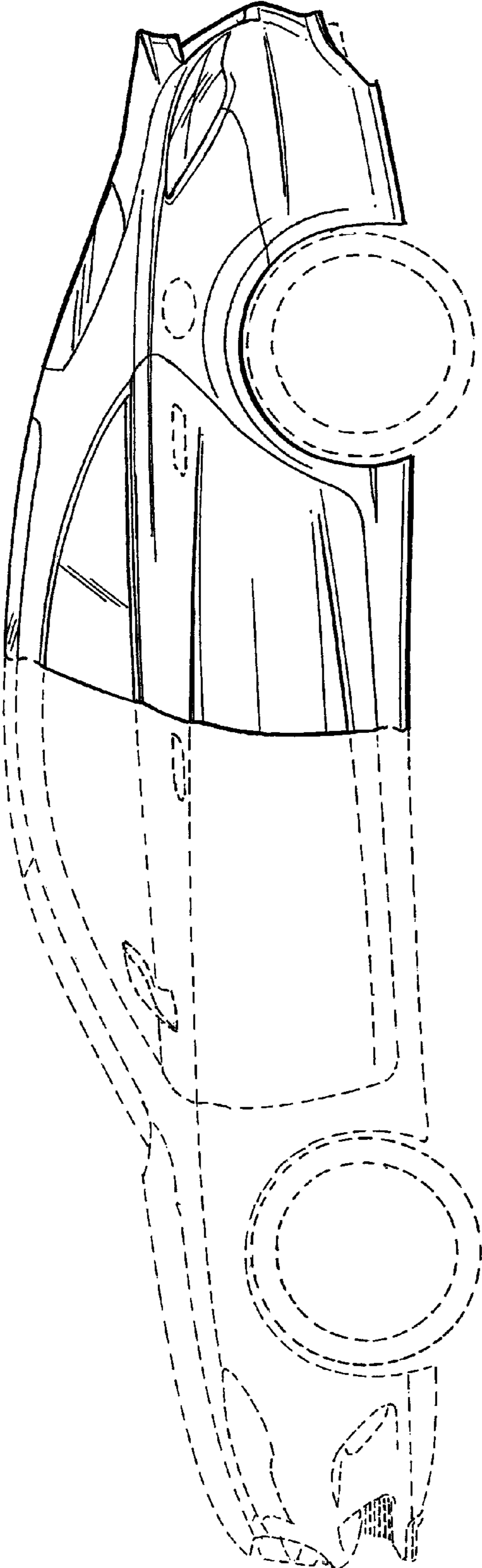


FIG. 3

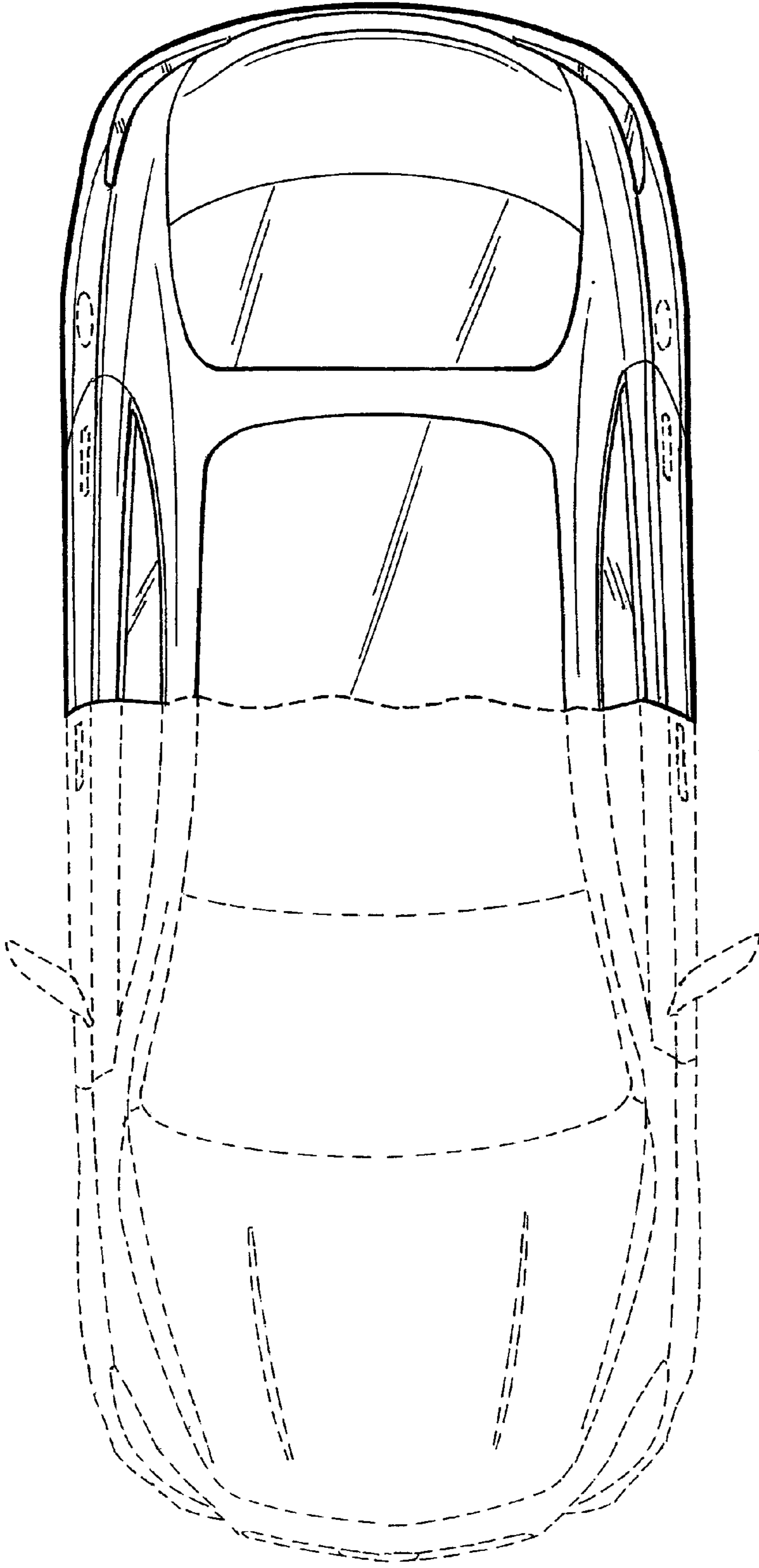


FIG. 4