



US00D688172S

(12) **United States Design Patent**
Terpsma et al.

(10) **Patent No.:** **US D688,172 S**

(45) **Date of Patent:** **** Aug. 20, 2013**

(54) **PINTLE HOOK**

(71) Applicant: **SAF-Holland, Inc.**, Holland, MI (US)

(72) Inventors: **Eric Terpsma**, Holland, MI (US);
Richard Polanic, Hudsonville, MI (US)

(73) Assignee: **SAF-Holland, Inc.**, Holland, MI (US)

(**) Term: **14 Years**

(21) Appl. No.: **29/443,152**

(22) Filed: **Jan. 14, 2013**

(51) **LOC (9) Cl.** **12-16**

(52) **U.S. Cl.**
USPC **D12/162**

(58) **Field of Classification Search**
USPC D12/162, 159, 160, 161; 56/DIG. 14;
37/399; 280/406.2, 407, 407.1, 408, 411.1,
280/416.1, 416.2, 416.3, 418, 418.1, 433,
280/434, 435, 441.1, 441.2, 455.1, 456.1,
280/480, 493, 504, 507, 508; 224/42.11,
224/42.12, 401, 412, 413, 488, 494, 500-501,
224/519, 537; 135/88.05; 150/166

See application file for complete search history.

(56) **References Cited**

U.S. PATENT DOCUMENTS

D583,720	S	*	12/2008	Nankervis	D12/162
D605,700	S	*	12/2009	Ma	D19/49
D662,012	S	*	6/2012	Gugino	D12/162
D666,538	S	*	9/2012	Duffy	D12/162

* cited by examiner

Primary Examiner — Katrina A Betton

(74) *Attorney, Agent, or Firm* — Price Heneveld LLP

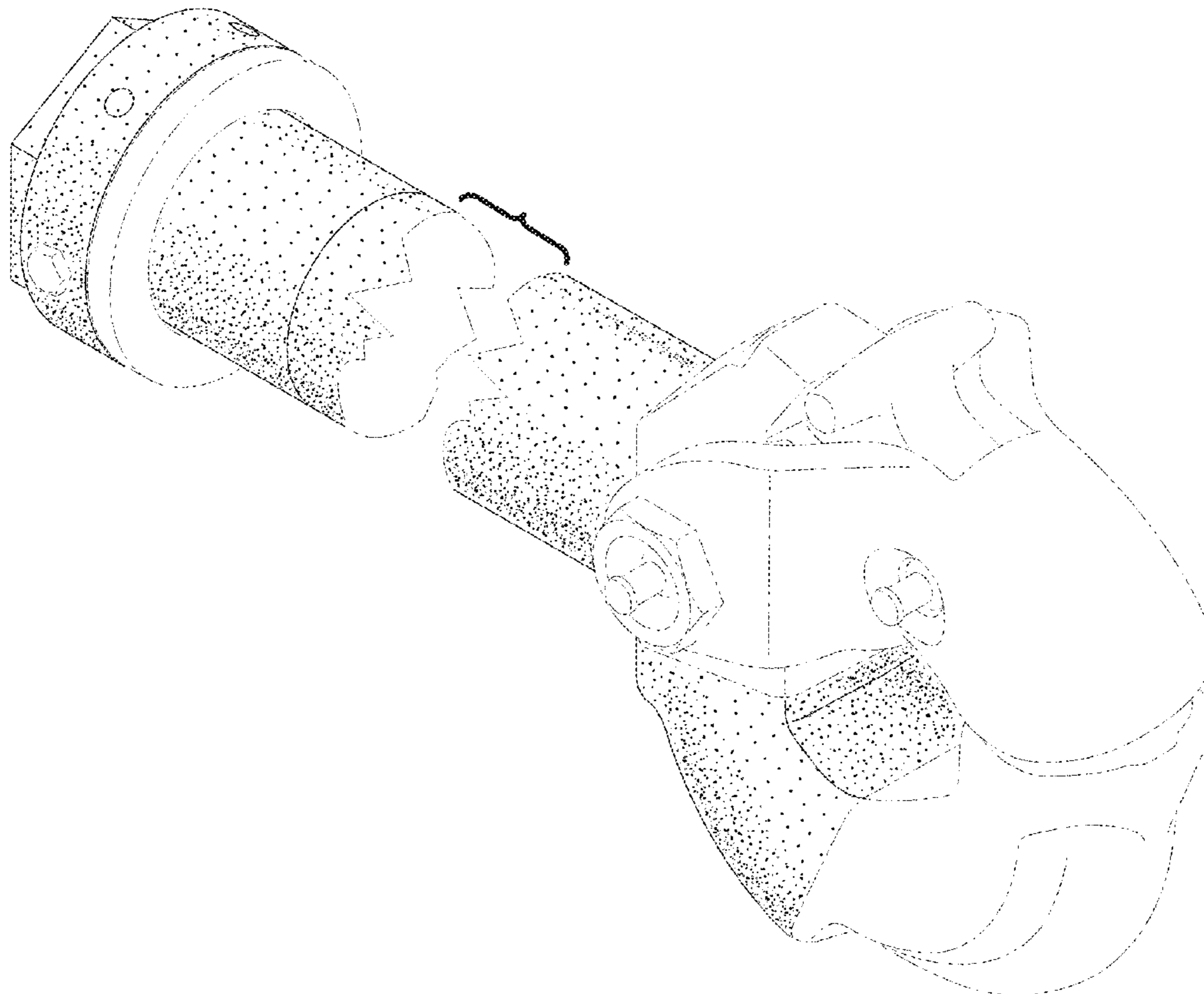
(57) **CLAIM**

We claim the ornamental design for pintle hook, as shown and described.

DESCRIPTION

FIG. 1 is a perspective view of the pintle hook;
FIG. 2 is a first side elevational view of the pintle hook;
FIG. 3 is a second side elevational view of the pintle hook;
FIG. 4 is a top plan view of the pintle hook;
FIG. 5 is a bottom plan view of the pintle hook;
FIG. 6 is a rear elevational view of the pintle hook; and,
FIG. 7 is a front elevational view of the pintle hook.
The dashed lines within the figures are shown for illustrative purposes only and form no part of the invention.

1 Claim, 4 Drawing Sheets



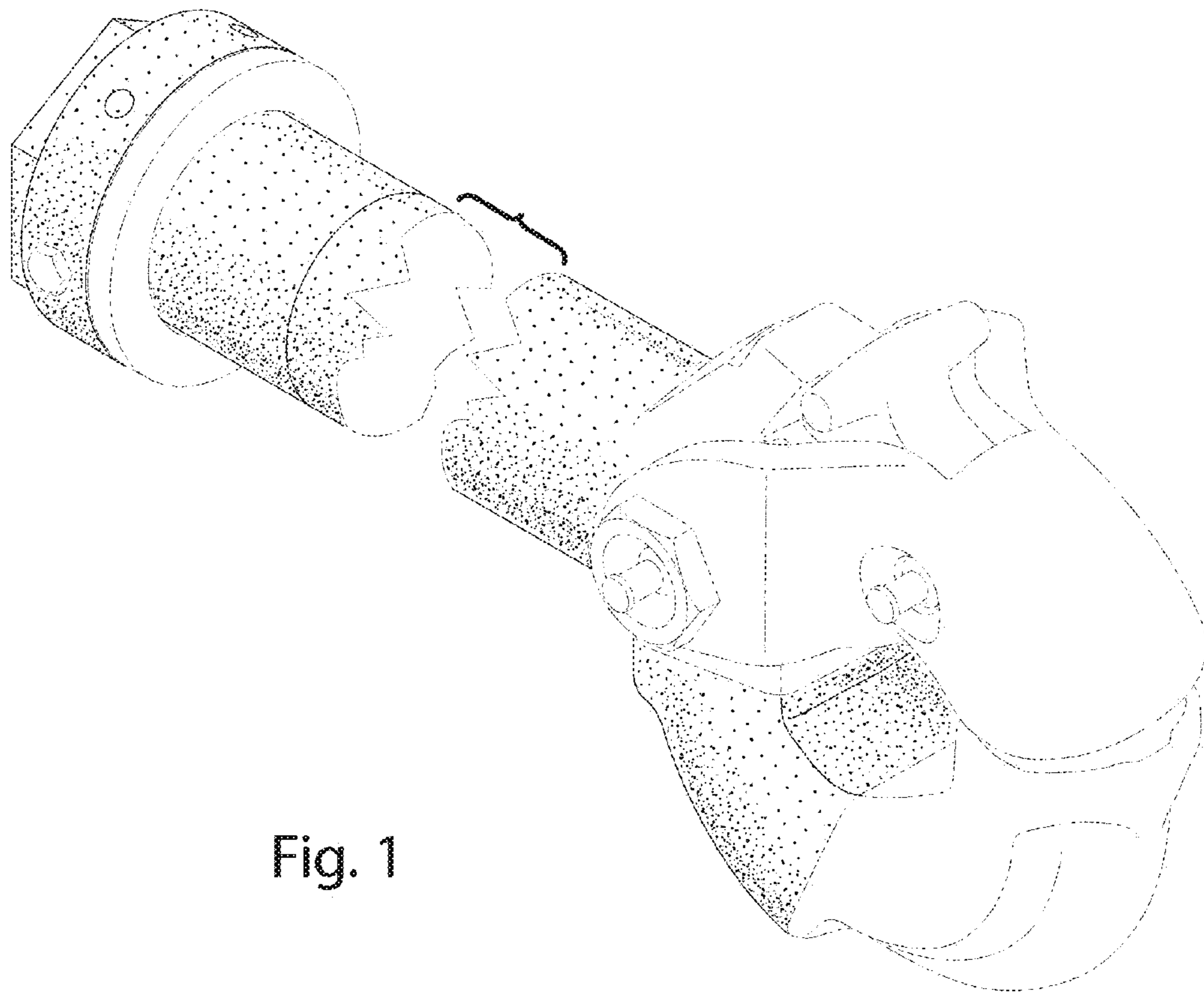


Fig. 1

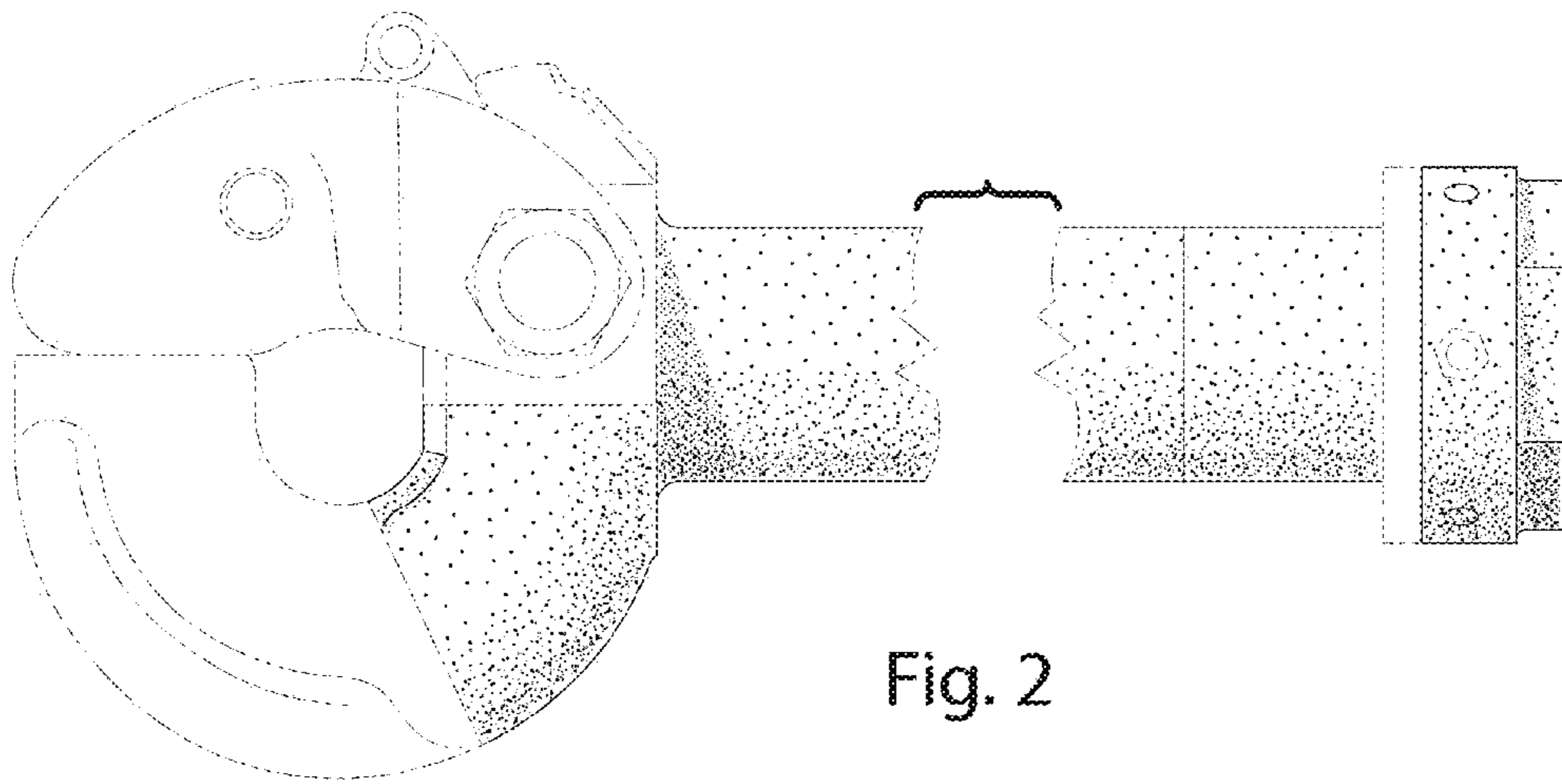


Fig. 2

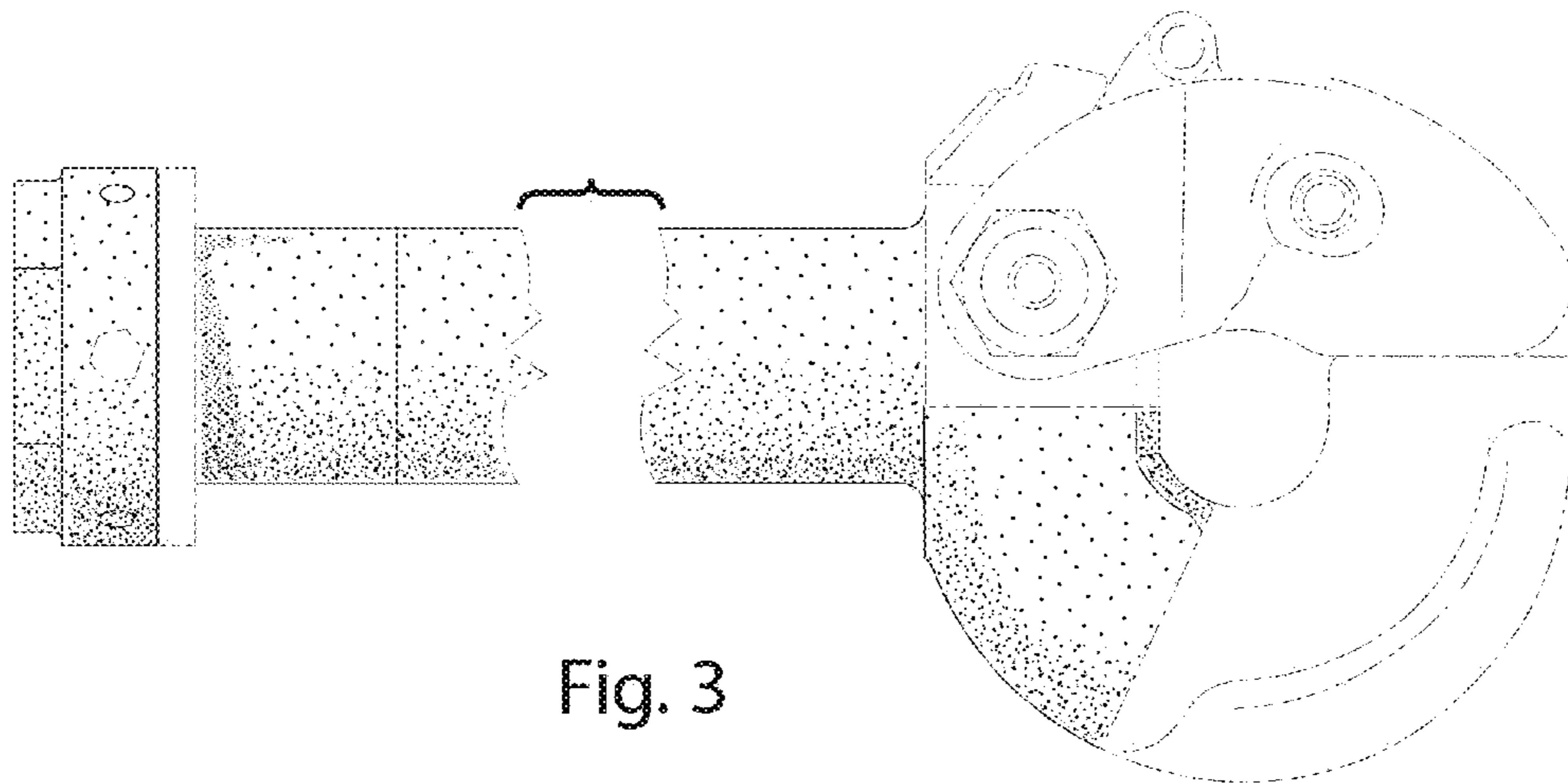


Fig. 3

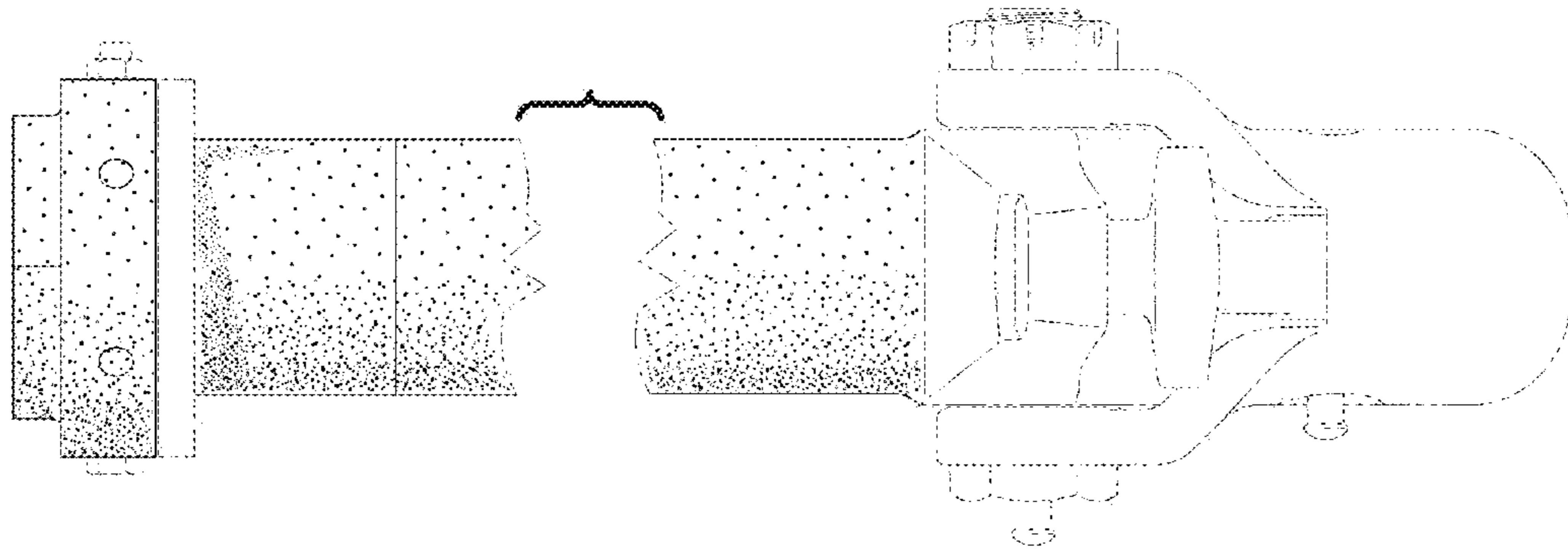


Fig. 4

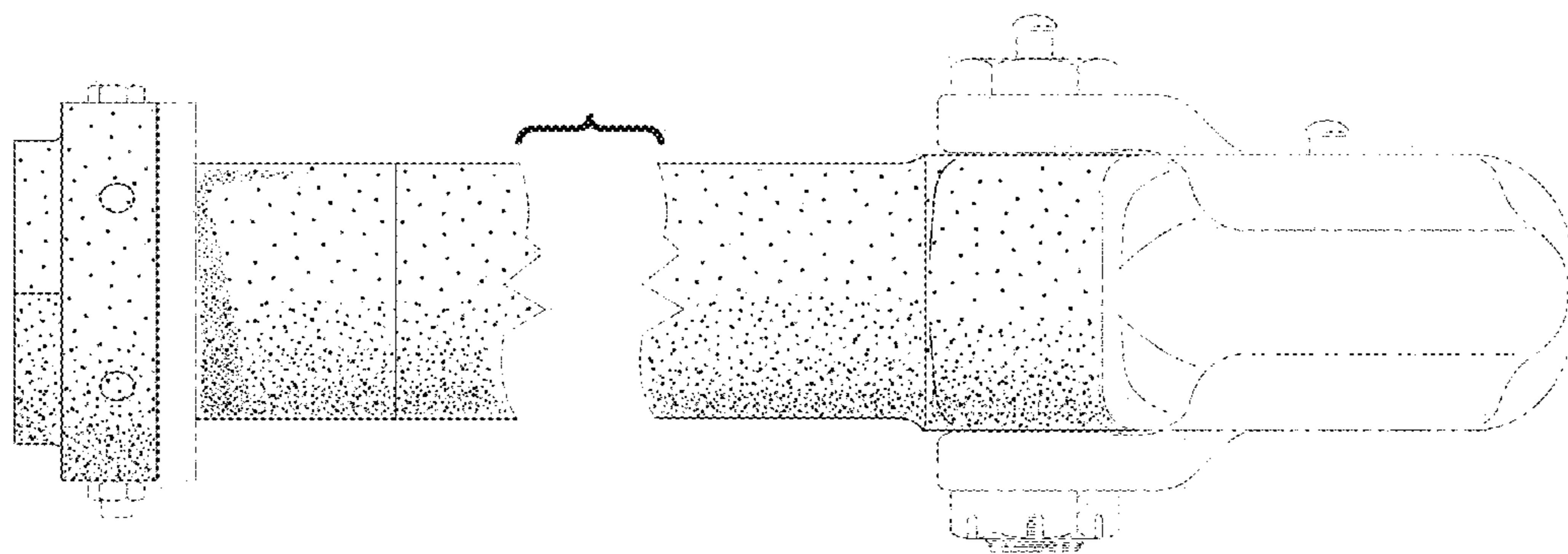


Fig. 5

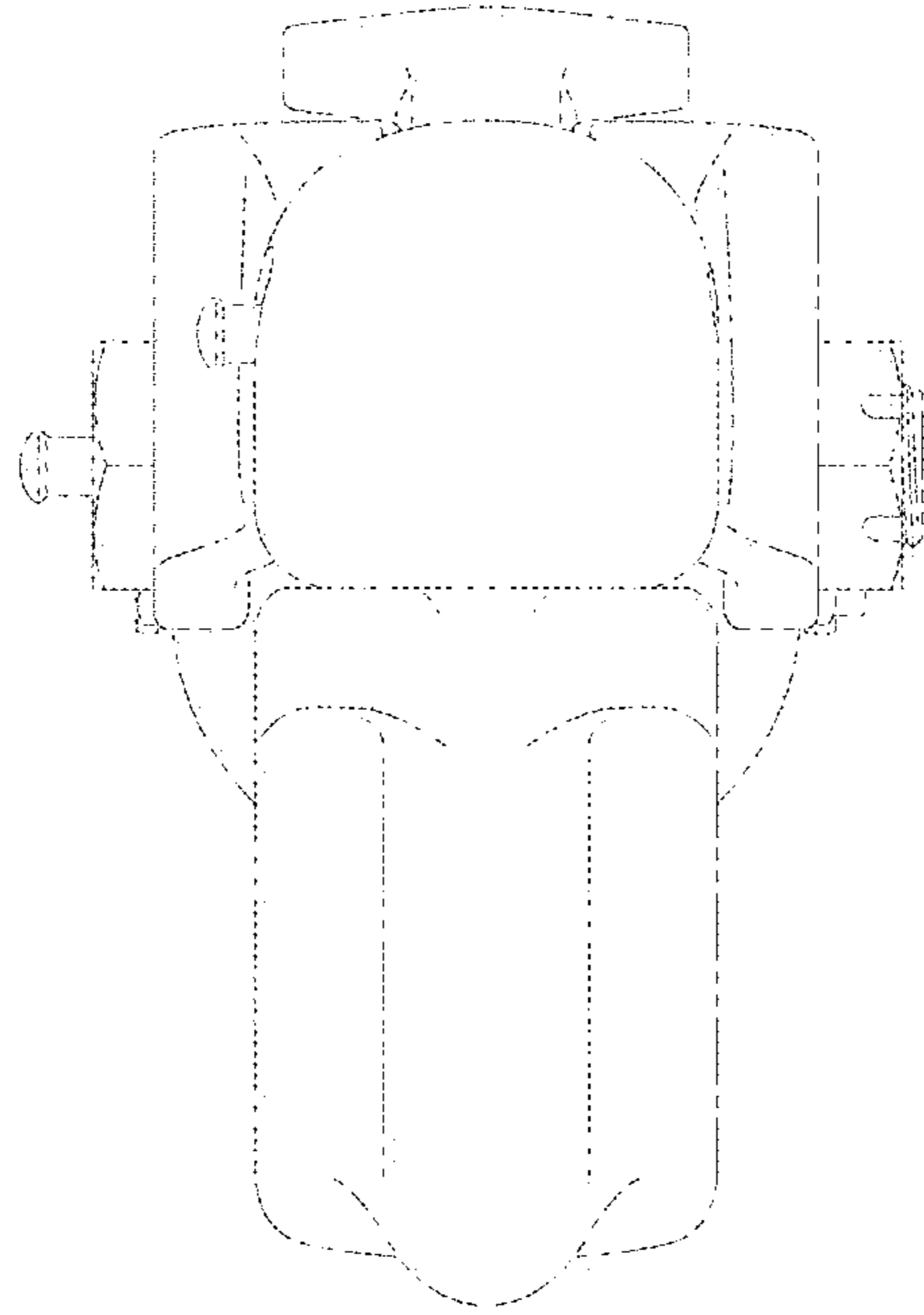


Fig. 6

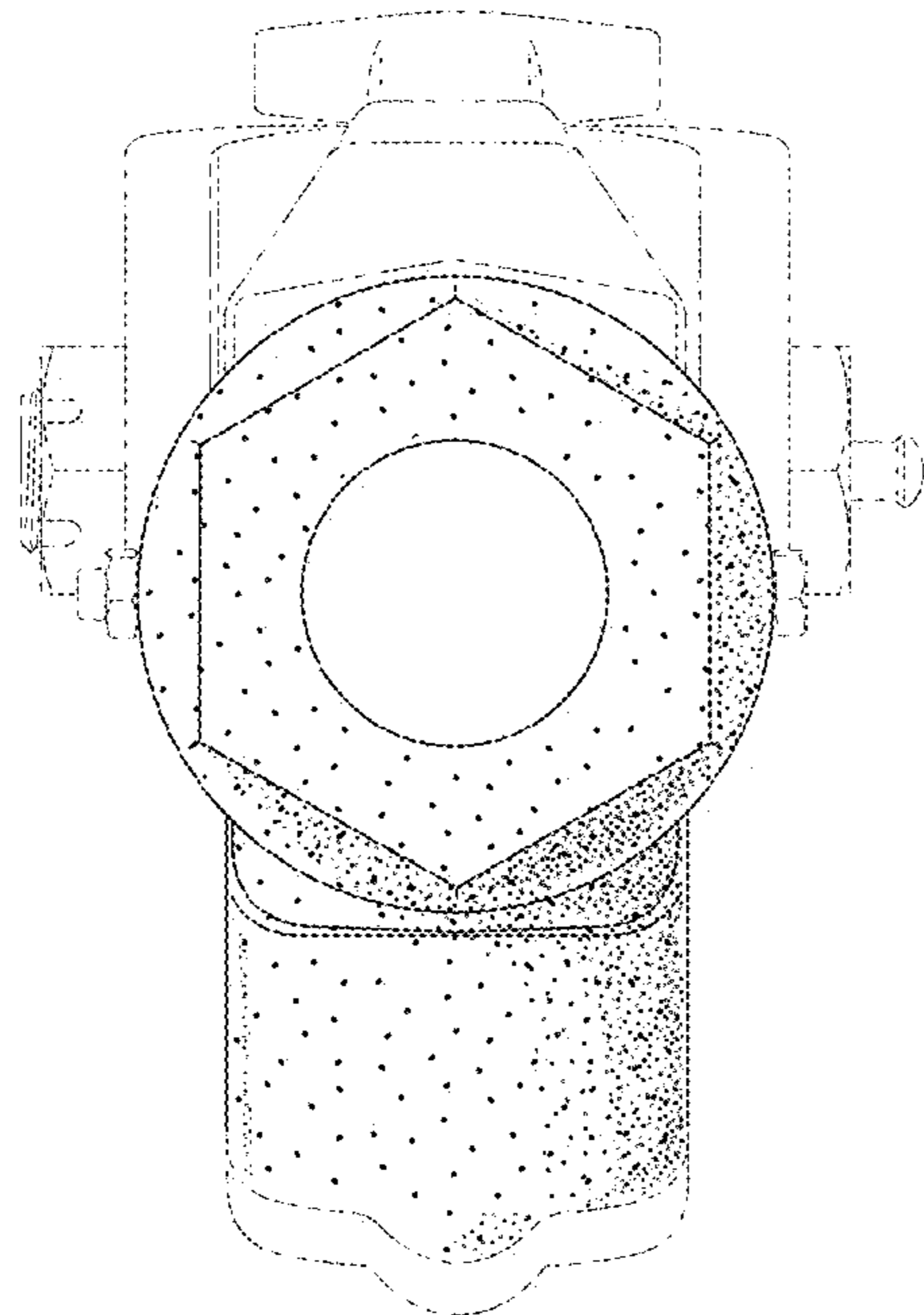


Fig. 7