



US00D688171S

(12) **United States Design Patent**
Cirino

(10) **Patent No.:** **US D688,171 S**

(45) **Date of Patent:** **** Aug. 20, 2013**

(54) **HITCH COVER**

(71) Applicant: **Joseph Thomas Cirino**, Melbourne, FL
(US)

(72) Inventor: **Joseph Thomas Cirino**, Melbourne, FL
(US)

(**) Term: **14 Years**

(21) Appl. No.: **29/436,388**

(22) Filed: **Nov. 5, 2012**

(51) **LOC (9) Cl.** **12-16**

(52) **U.S. Cl.**
USPC **D12/162**

(58) **Field of Classification Search**
USPC D12/162, 159, 160, 161; 56/DIG. 14;
37/399; 280/406.2, 407, 407.1, 408, 411.1,
280/416.1, 416.2, 416.3, 418, 418.1, 433,
280/434, 435, 441.1, 441.2, 455.1, 456.1,
280/480, 493, 504, 507, 508; 224/42.11,
224/42.12, 401, 412, 413, 488, 494, 500-501,
224/519, 537; 135/88.05; 150/166

See application file for complete search history.

(56) **References Cited**

U.S. PATENT DOCUMENTS

| | | | | | | |
|-----------|----|---|---------|------------|-------|---------|
| D425,460 | S | * | 5/2000 | Peroni | | D12/162 |
| D458,195 | S | * | 6/2002 | Beauvais | | D12/162 |
| 6,463,686 | B1 | * | 10/2002 | Eisenbraun | | 40/591 |
| D528,999 | S | * | 9/2006 | Cho et al. | | D13/180 |
| D666,538 | S | * | 9/2012 | Duffy | | D12/162 |
| D676,363 | S | * | 2/2013 | Wise | | D12/162 |

* cited by examiner

Primary Examiner — Katrina A Betton

(74) *Attorney, Agent, or Firm* — Mark R. Malek; Zies
Widerman & Malek

(57) **CLAIM**

The ornamental design for a hitch cover, as shown and described.

DESCRIPTION

FIG. 1 is a perspective view of a hitch cover according to the present invention.

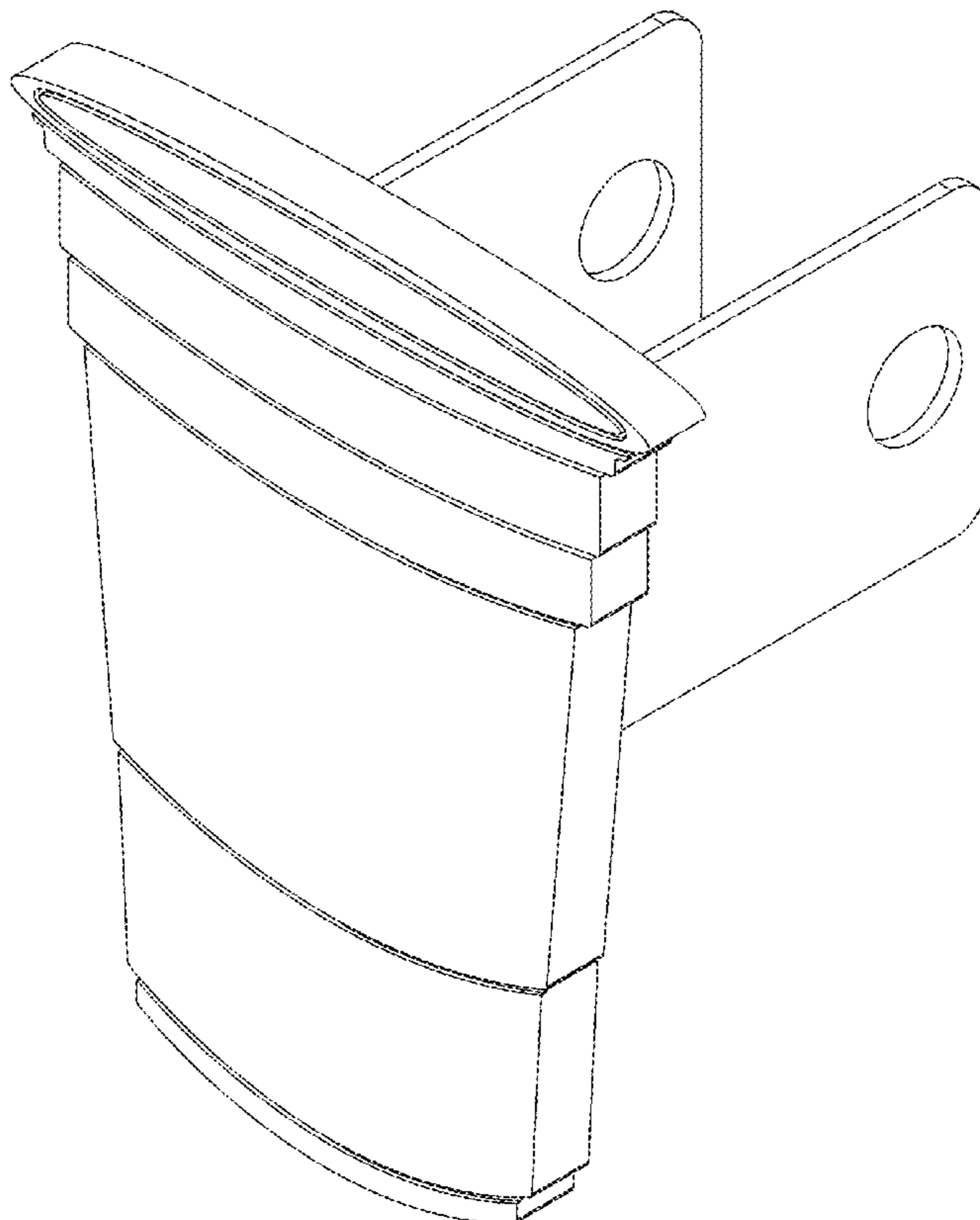
FIG. 2 is a front elevation view of the hitch cover illustrated in FIG. 1.

FIG. 3 is a side elevation view of the hitch cover illustrated in FIG. 1.

FIG. 4 is a bottom plan view of the hitch cover illustrated in FIG. 1; and,

FIG. 5 is a rear elevation view of the hitch cover illustrated in FIG. 1.

1 Claim, 5 Drawing Sheets



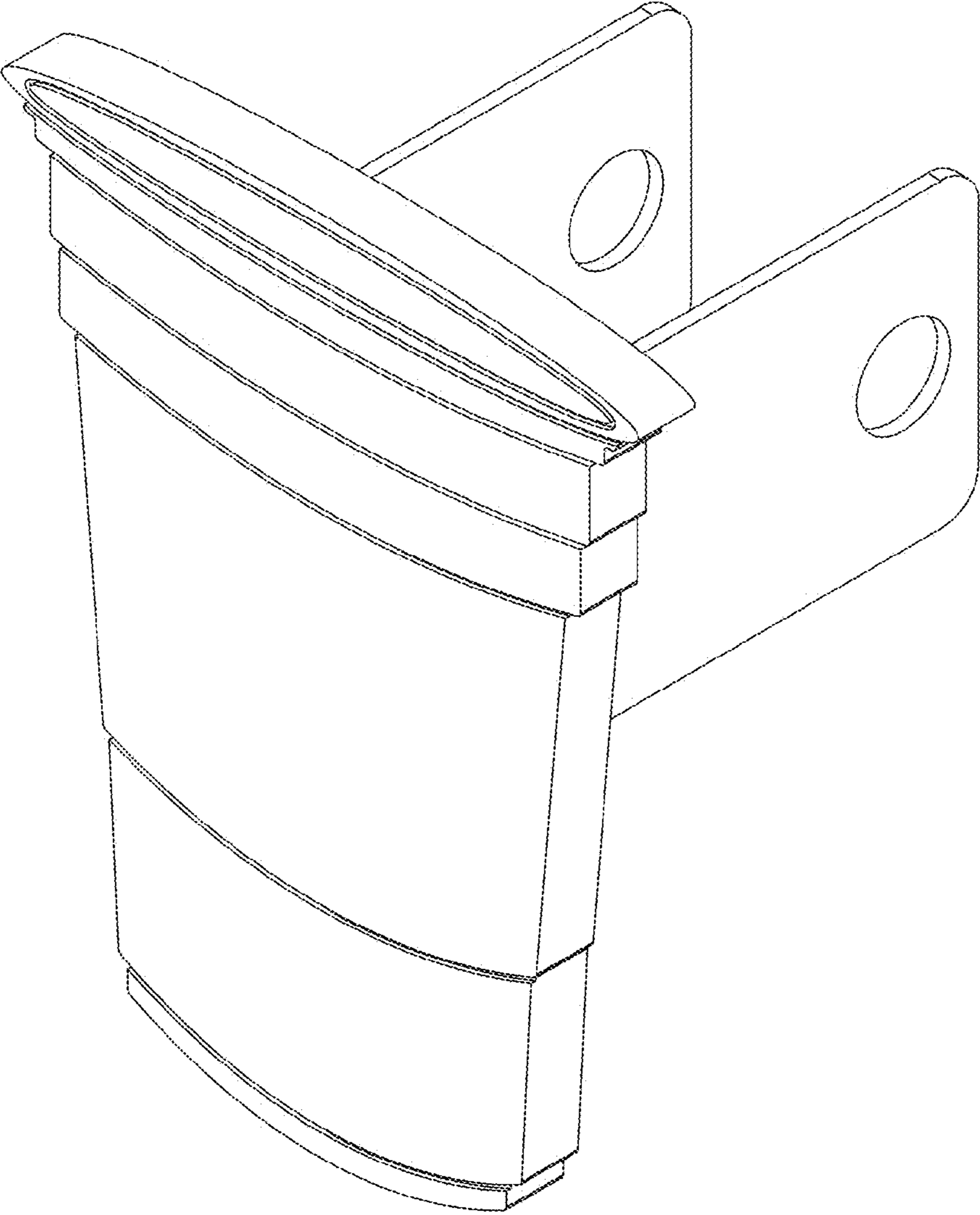


FIG. 1

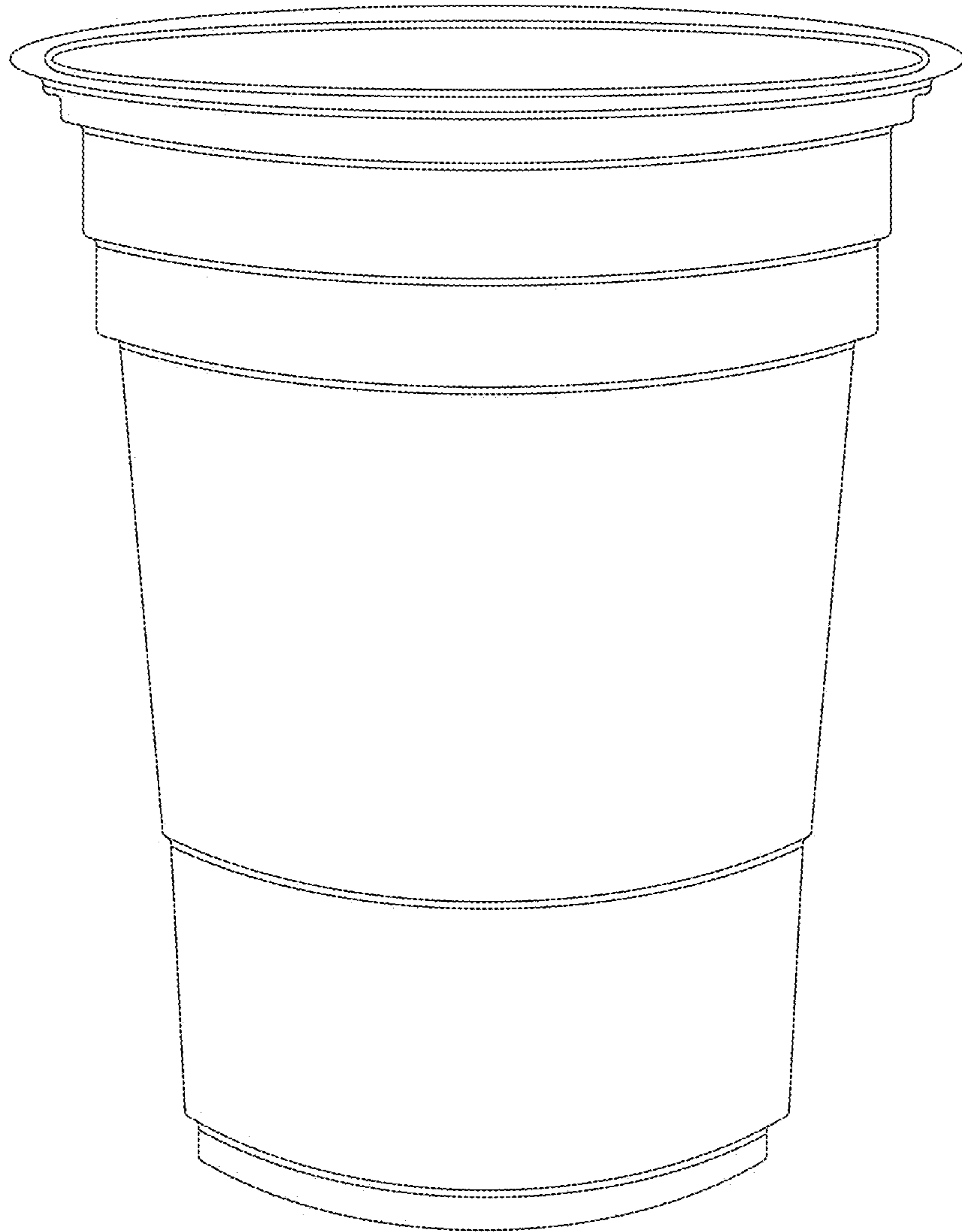


FIG. 2

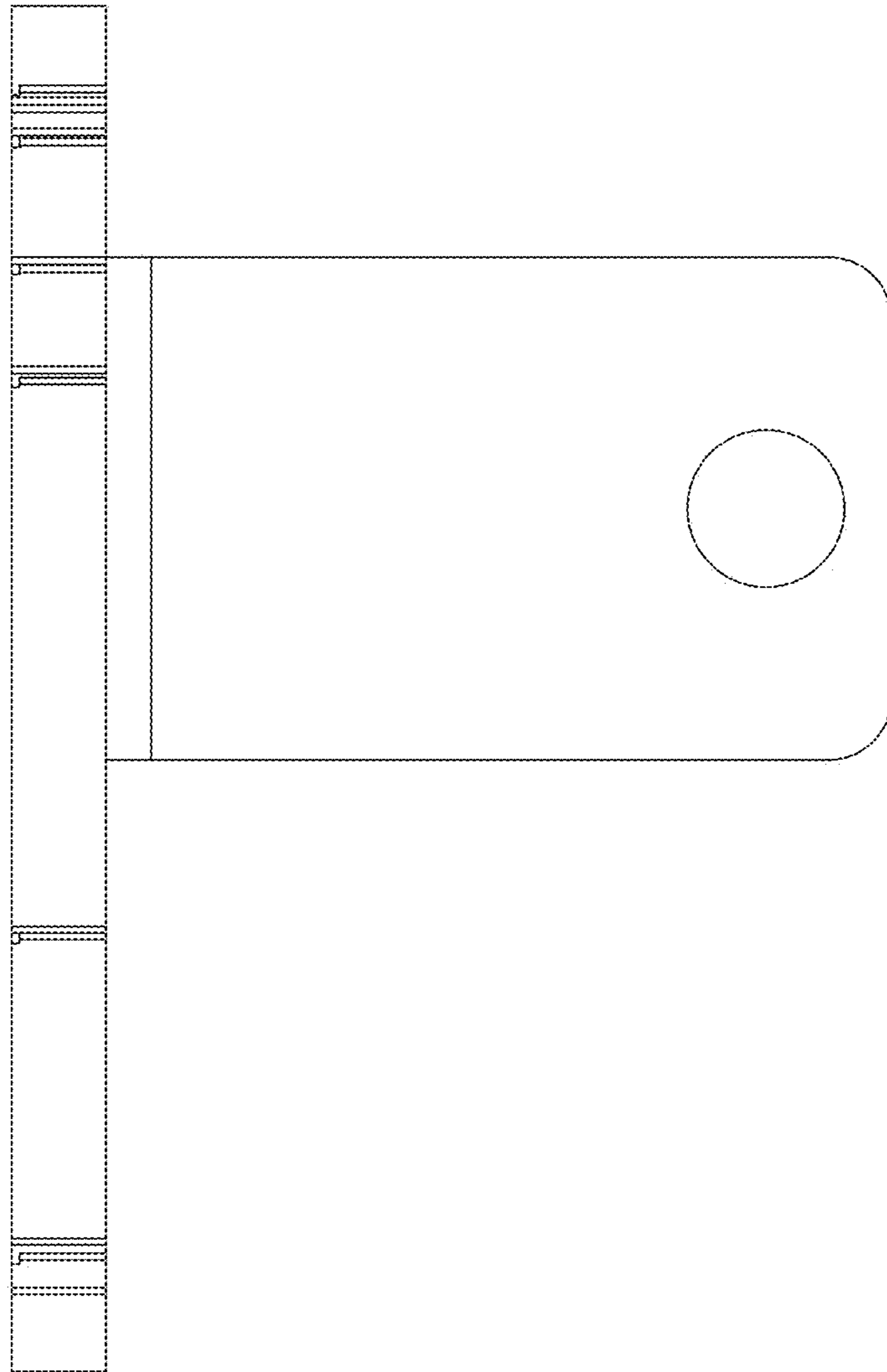


FIG. 3

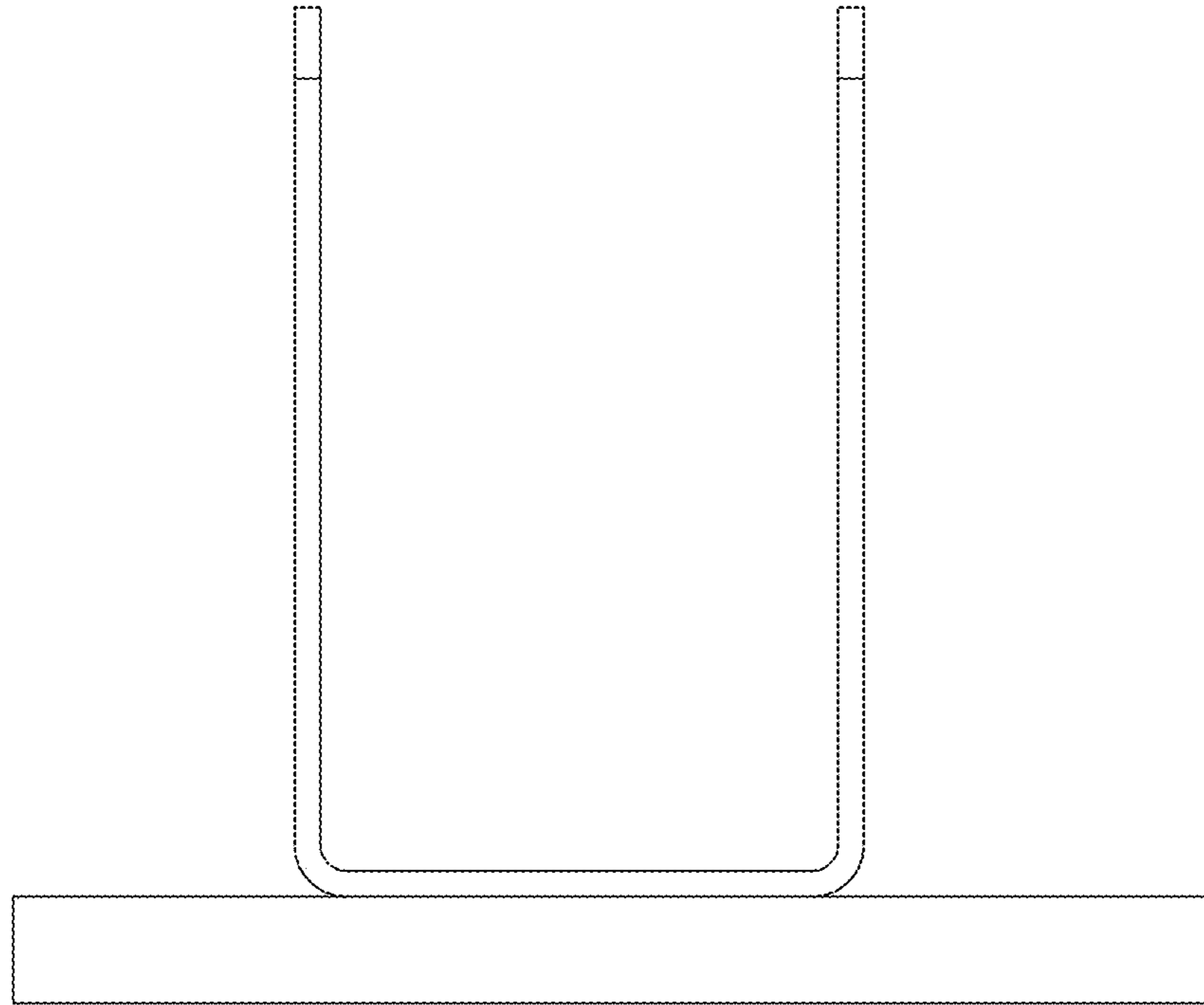


FIG. 4

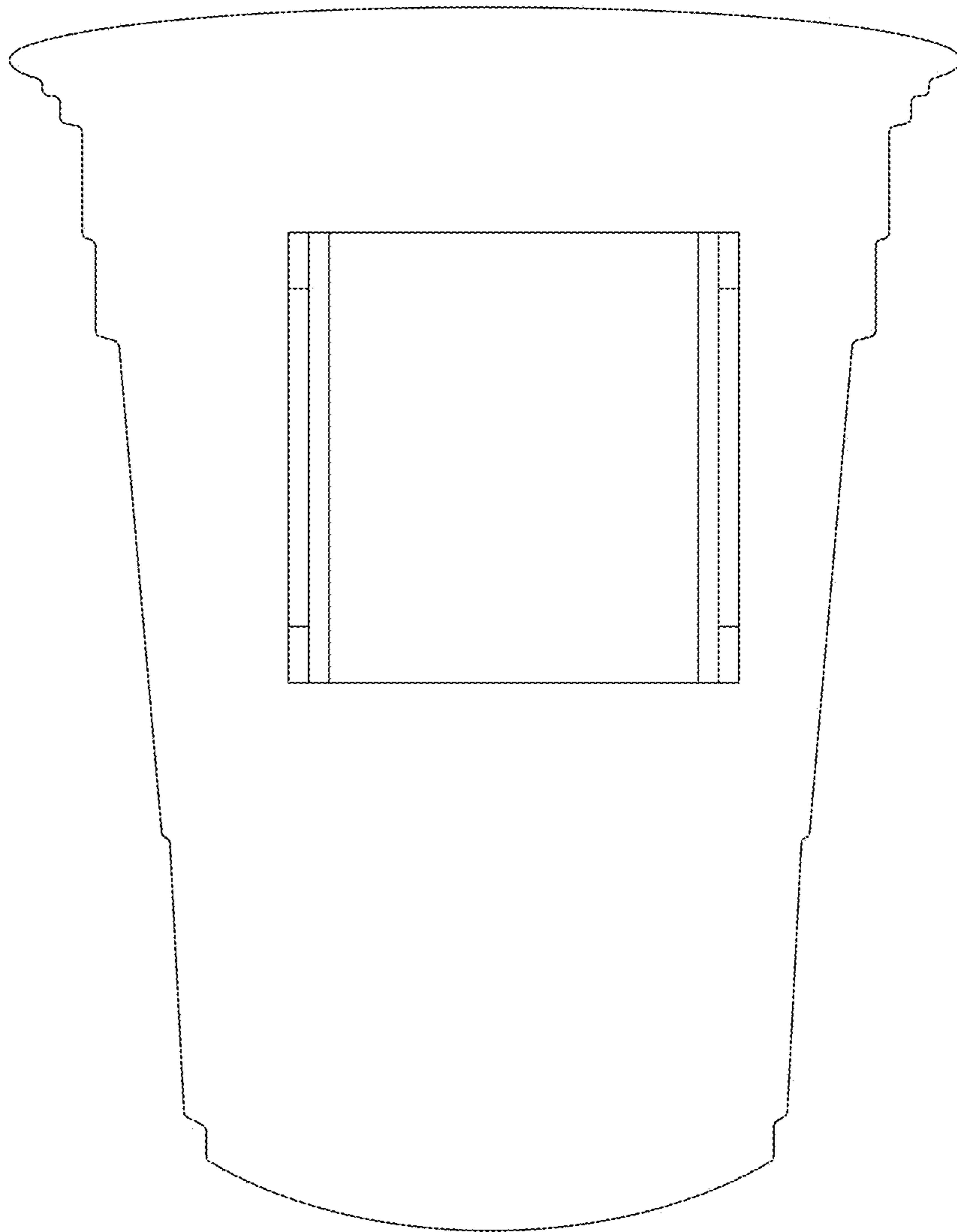


FIG. 5