



US00D688170S

(12) **United States Design Patent**  
**Woolever**

(10) **Patent No.:** **US D688,170 S**

(45) **Date of Patent:** **\*\* Aug. 20, 2013**

(54) **TRAILER HITCH ALIGNMENT DEVICE**

(76) **Inventor:** **Stephen Neil Woolever**, Auburn, GA  
(US)

(\*\*) **Term:** **14 Years**

(21) **Appl. No.:** **29/419,069**

(22) **Filed:** **Apr. 25, 2012**

(51) **LOC (9) Cl.** ..... **12-16**

(52) **U.S. Cl.**  
USPC ..... **D12/162**

(58) **Field of Classification Search**  
USPC ..... D12/162, 159, 160, 161; 56/DIG. 14;  
37/399; 280/406.2, 407, 407.1, 408, 411.1,  
280/416.1, 416.2, 416.3, 418, 418.1, 433,  
280/434, 435, 441.1, 441.2, 455.1, 456.1,  
280/480, 493, 504, 507, 508; 224/42.11,  
224/42.12, 401, 412, 413, 488, 494, 500-501,  
224/519, 537; 135/88.05; 150/166  
See application file for complete search history.

(56) **References Cited**

**U.S. PATENT DOCUMENTS**

973,976	A *	10/1910	Ruff	.....	152/242
4,781,394	A *	11/1988	Schwarz et al.	.....	280/477
4,854,604	A *	8/1989	Stallsworth	.....	280/477
5,080,386	A *	1/1992	Lazar	.....	280/477
5,330,196	A *	7/1994	Ricles	.....	280/477
D369,996	S *	5/1996	Wylie	.....	D12/162
6,199,892	B1 *	3/2001	Dahl	.....	280/507

D486,763	S *	2/2004	Nunez	.....	D12/160
7,004,488	B2 *	2/2006	Reiter et al.	.....	280/477
D528,949	S *	9/2006	Tirey	.....	D12/162
D612,775	S *	3/2010	Davis	.....	D12/162
D636,710	S *	4/2011	Story	.....	D12/161

\* cited by examiner

*Primary Examiner* — Katrina A Betton

(74) *Attorney, Agent, or Firm* — Crose Law LLC; Bradley D. Crose

(57) **CLAIM**

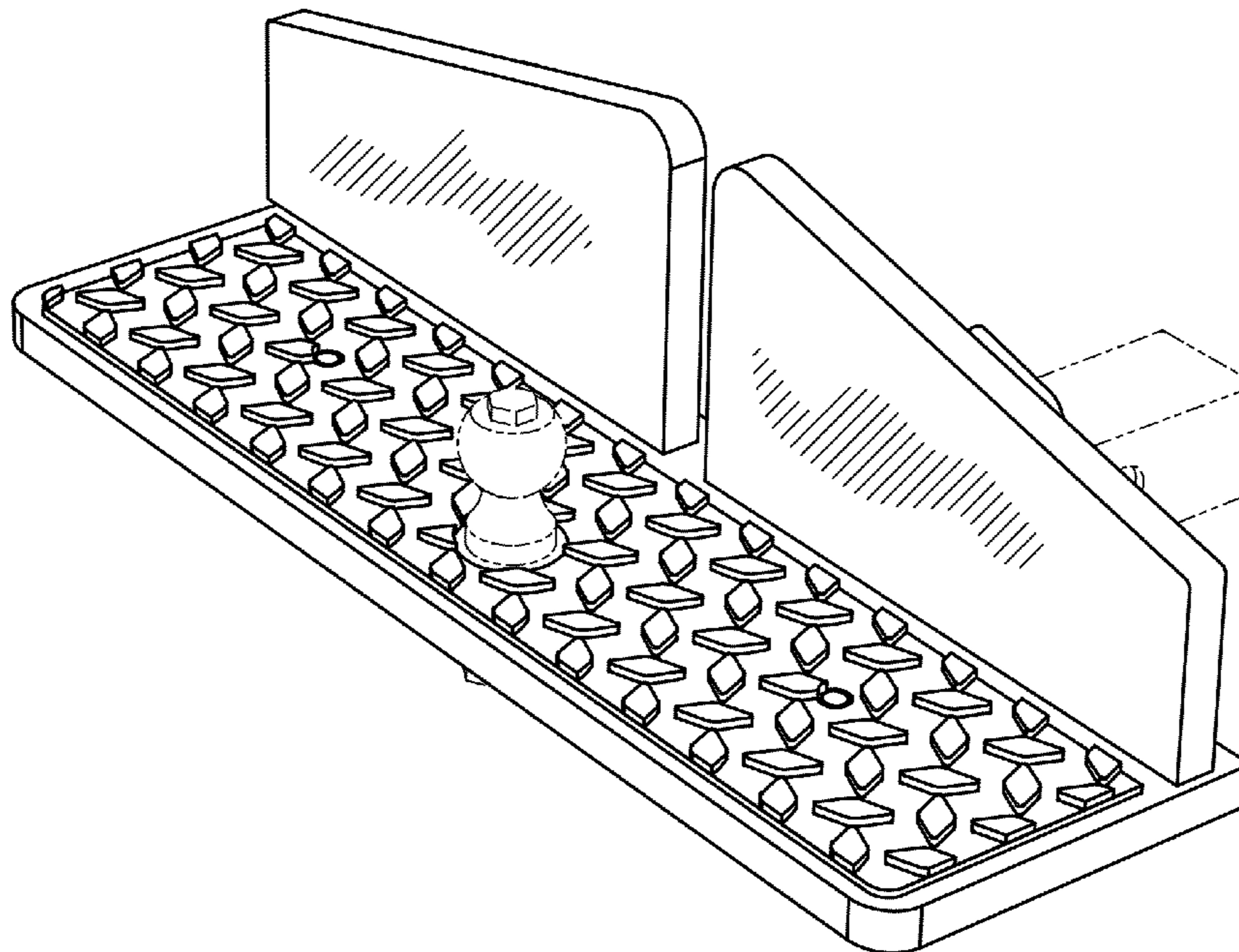
The ornamental design for a trailer hitch alignment device, as shown and described.

**DESCRIPTION**

FIG. 1 is a front perspective view of a trailer hitch alignment device, showing my new design;  
FIG. 2 is a rear perspective view thereof;  
FIG. 3 is a top plan view thereof;  
FIG. 4 is a bottom plan view thereof;  
FIG. 5 is a front plan view thereof;  
FIG. 6 is a rear plan view thereof;  
FIG. 7 is a left side plan view thereof;  
FIG. 8 is a right side plan view thereof; and,  
FIG. 9 is a top perspective view, illustrating a trailer hitch alignment device in an open configuration for receiving a trailer hitch.

The broken lines in FIGS. 1-9 are included for the purpose of illustrating environment and form no part of the claimed design.

**1 Claim, 9 Drawing Sheets**



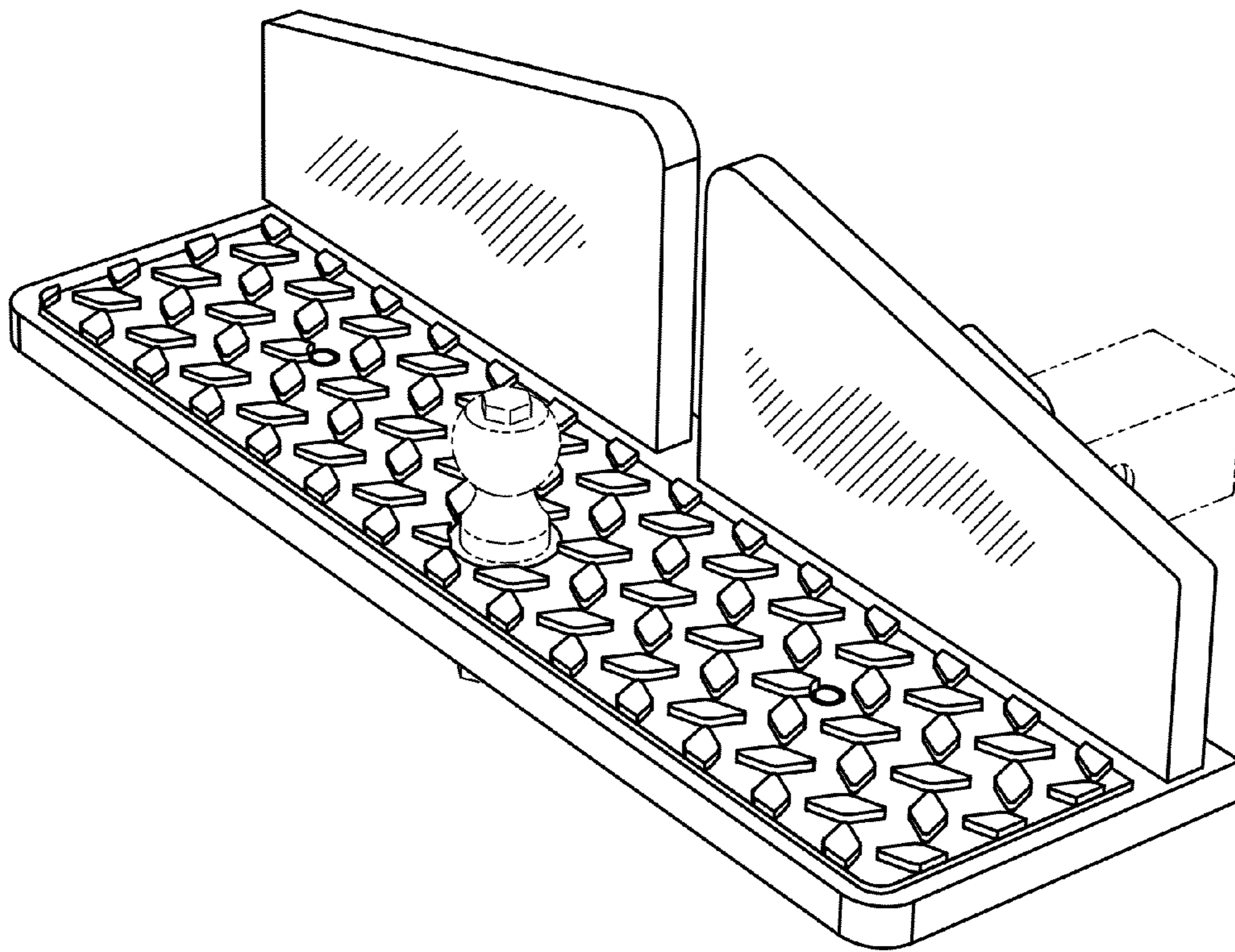


FIG. 1

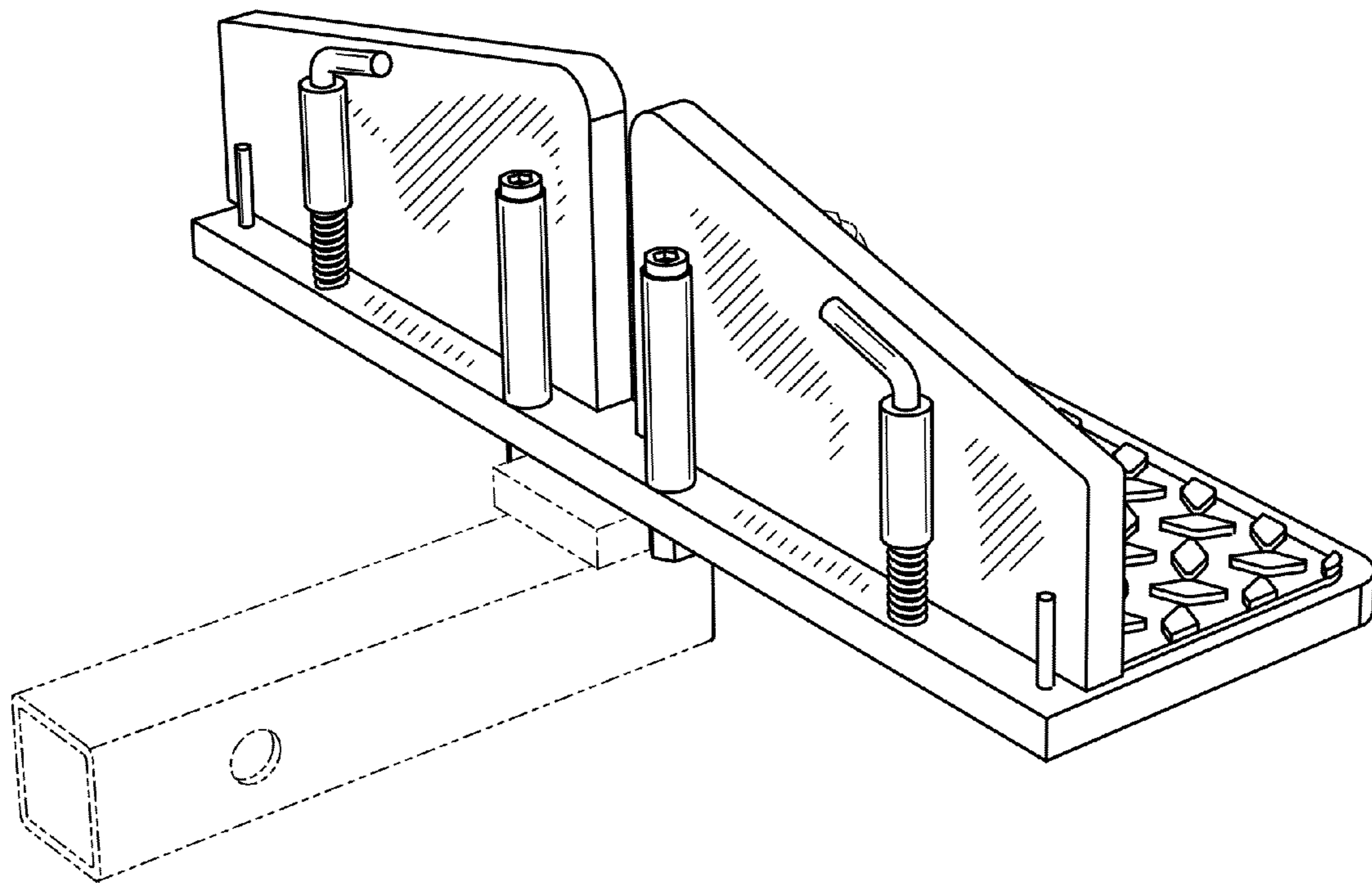


FIG. 2

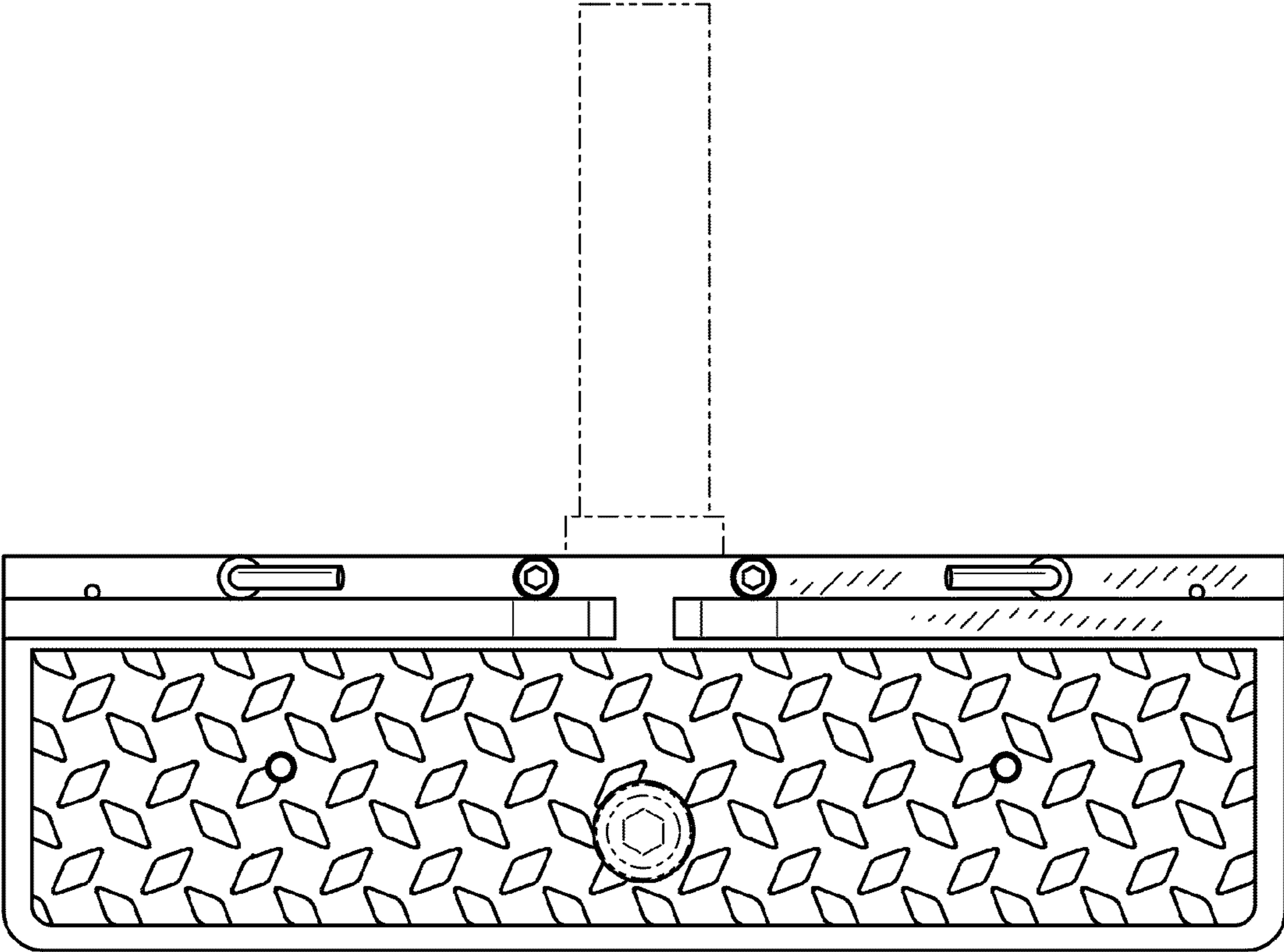


FIG. 3

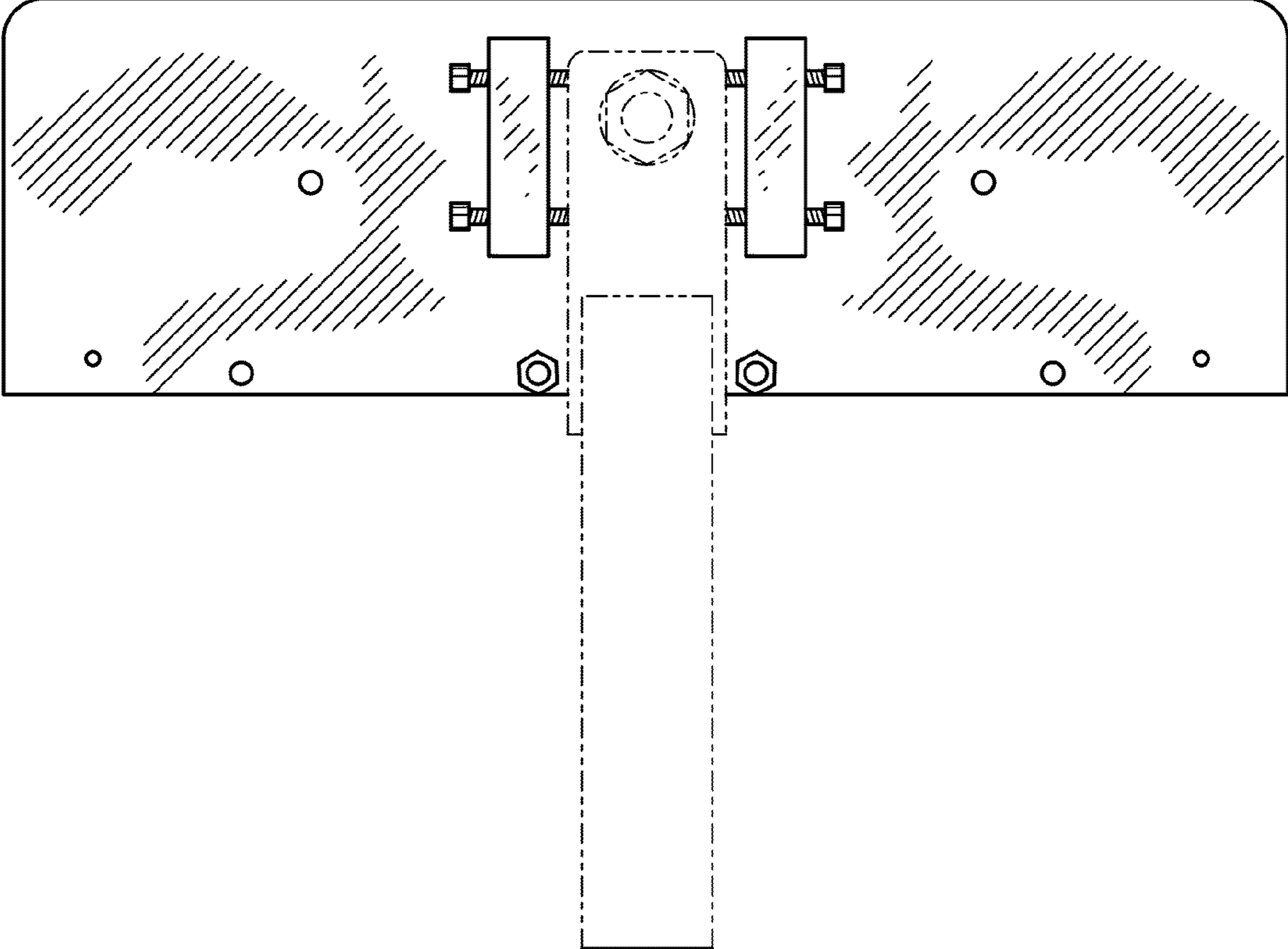


FIG. 4

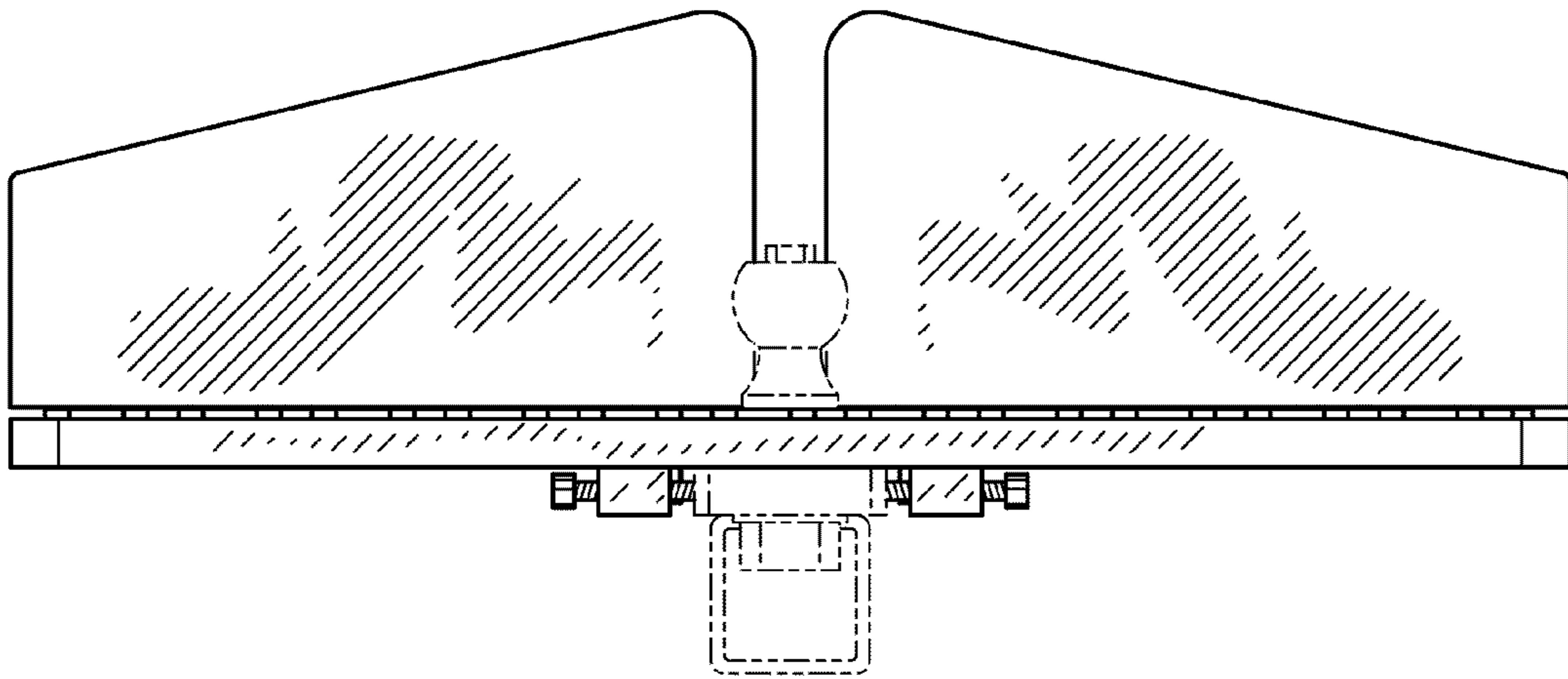


FIG. 5

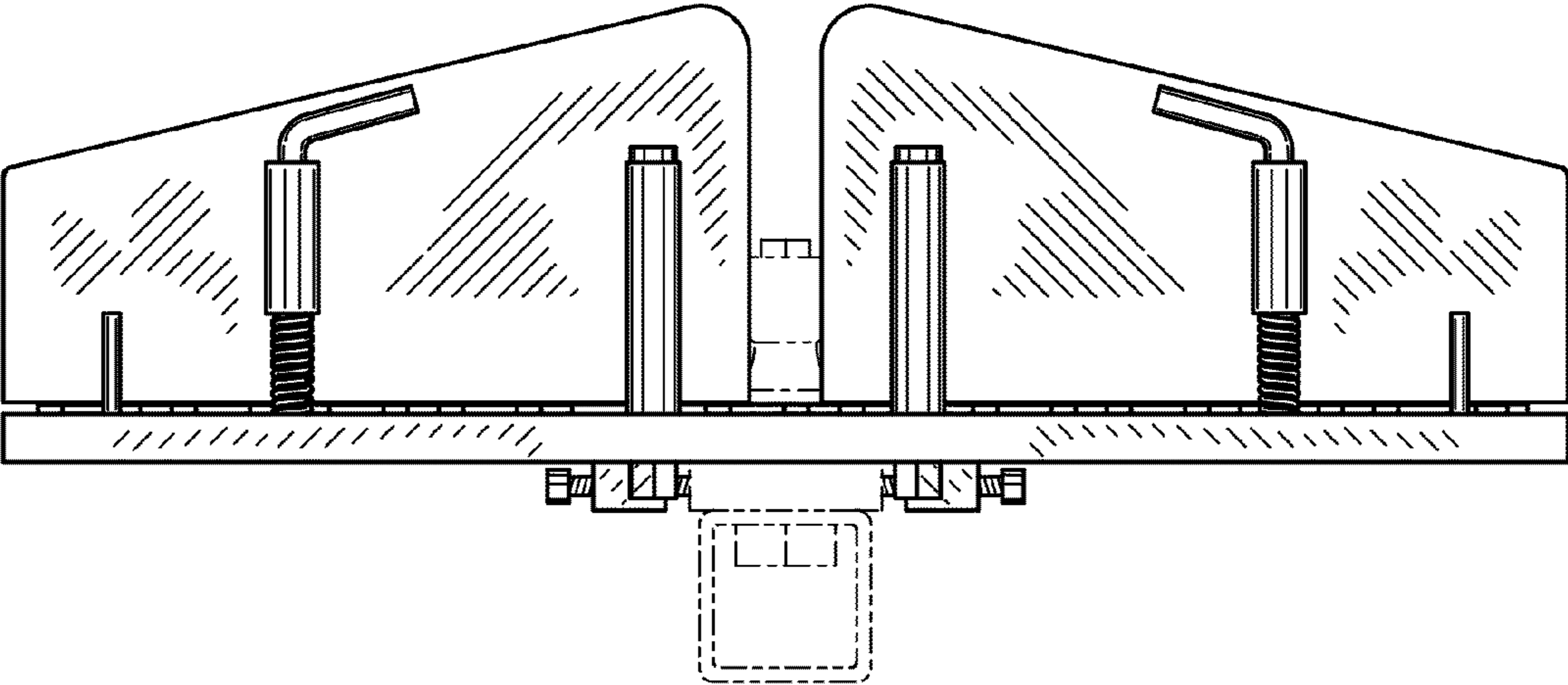


FIG. 6

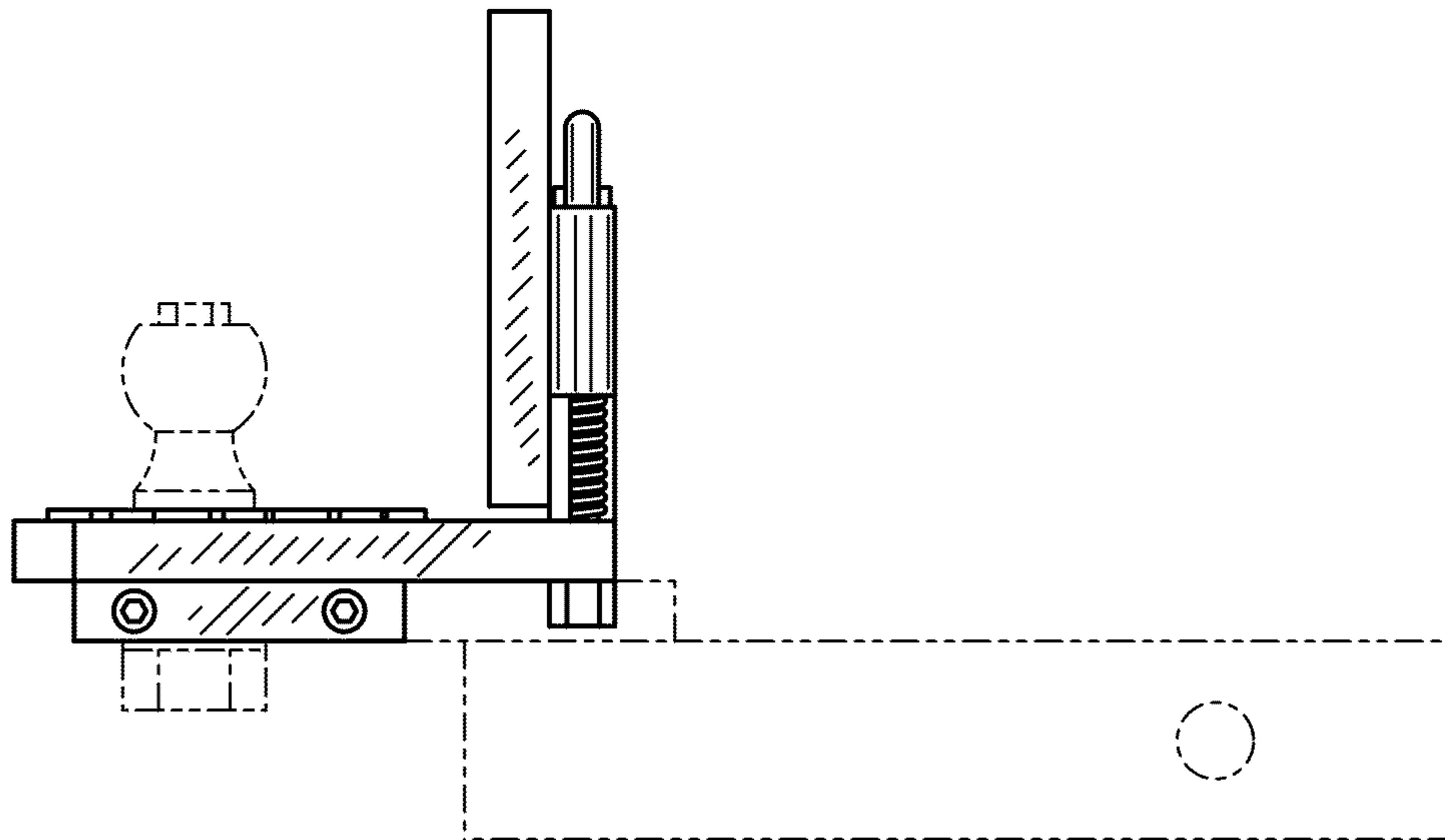


FIG. 7



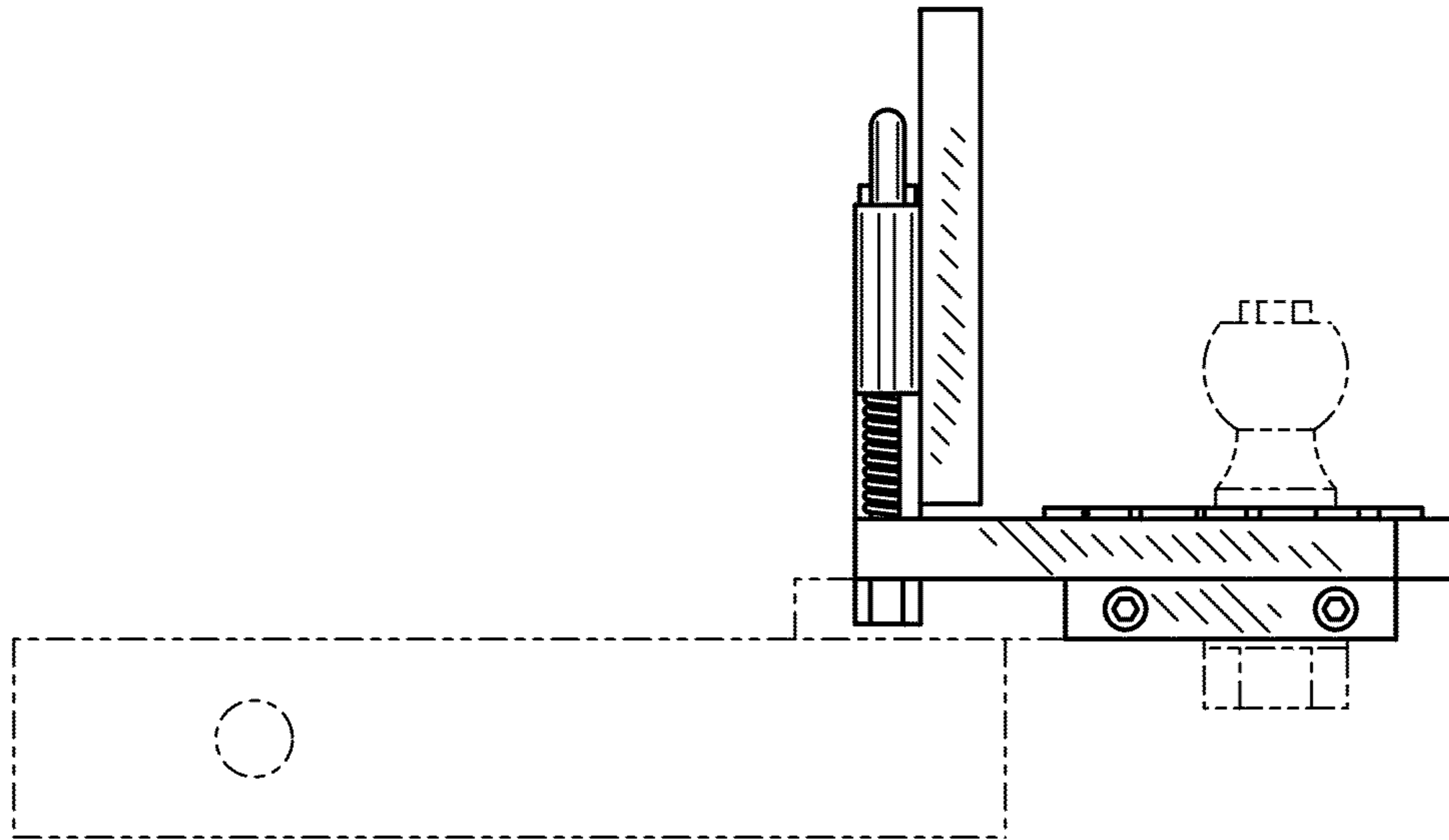


FIG. 8

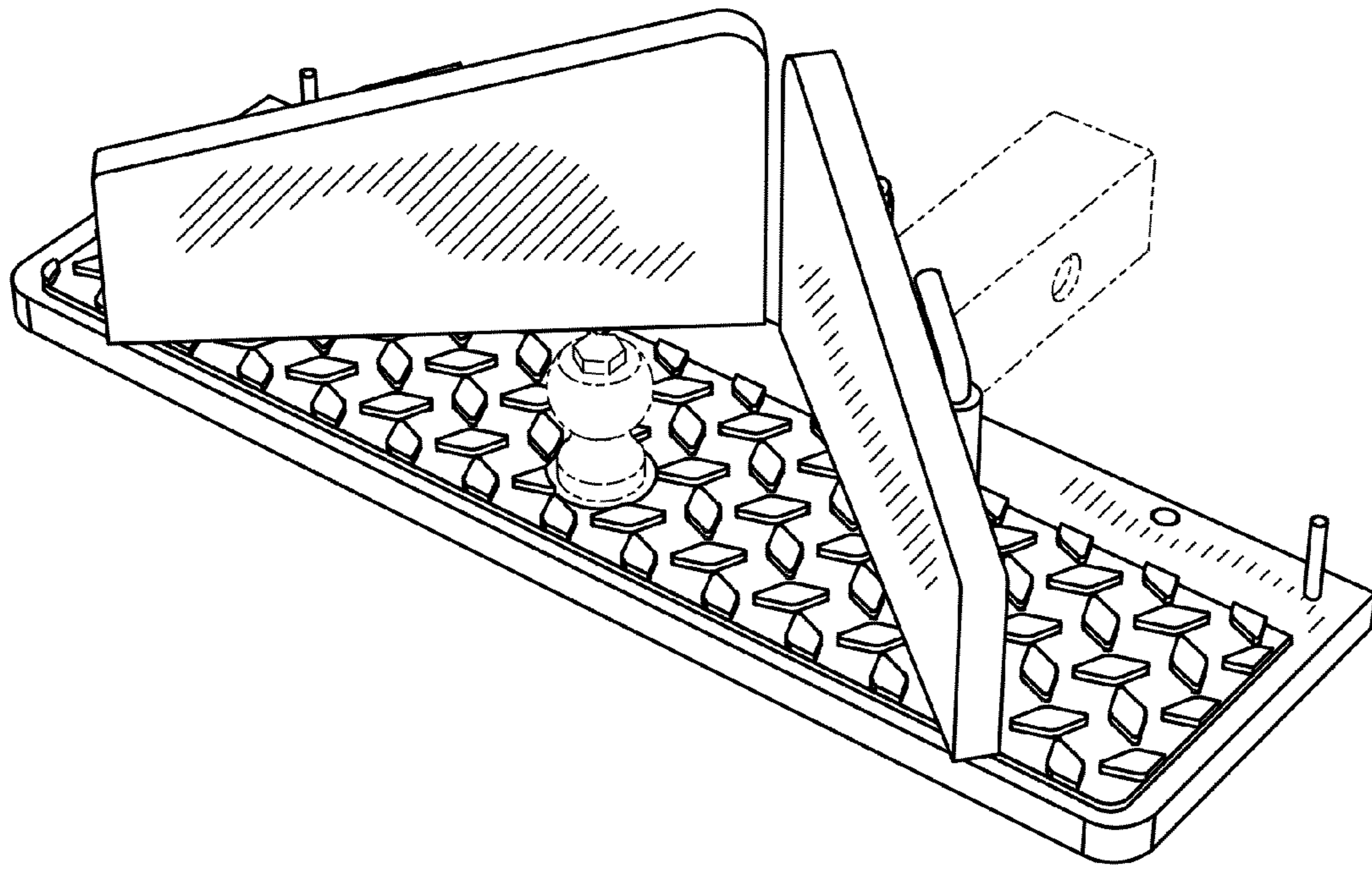


FIG. 9