



US00D688167S

(12) **United States Design Patent**
Klieber

(10) **Patent No.:** **US D688,167 S**

(45) **Date of Patent:** **** Aug. 20, 2013**

(54) **BICYCLE PART**

(71) Applicant: **Jochen Klieber**, Tacherting (DE)

(72) Inventor: **Jochen Klieber**, Tacherting (DE)

(**) Term: **14 Years**

(21) Appl. No.: **29/446,627**

(22) Filed: **Feb. 26, 2013**

(30) **Foreign Application Priority Data**

Aug. 27, 2012 (EM) 002092981-0001

(51) **LOC (9) Cl.** **12-11**

(52) **U.S. Cl.**
USPC **D12/118**

(58) **Field of Classification Search**
USPC D12/118, 111; 74/551.1-551.8;
403/24, 373, 190, 191, 290, 207, 345; 280/274,
280/279, 280

See application file for complete search history.

(56) **References Cited**

U.S. PATENT DOCUMENTS

5,496,126 A * 3/1996 Lin 403/370
5,737,974 A * 4/1998 Chen 74/551.1
D416,521 S * 11/1999 Giard D12/118

6,309,135 B1 * 10/2001 Thomson et al. 403/344
D451,847 S * 12/2001 Thomson et al. D12/118
D527,991 S * 9/2006 Chiang D8/396
7,131,350 B2 * 11/2006 McColligan 74/551.1
7,407,176 B2 * 8/2008 McJunkin et al. 280/279
7,437,970 B2 * 10/2008 Chen 74/551.8
8,267,418 B1 * 9/2012 Chuang 280/279
2002/0148323 A1 * 10/2002 Thomson et al. 74/551.1
2006/0162482 A1 * 7/2006 Okajima et al. 74/551.1

* cited by examiner

Primary Examiner — Susan M Lee

Assistant Examiner — Linda G Brooks

(74) *Attorney, Agent, or Firm* — Brett A. Schenck; Walker & Jocke

(57) **CLAIM**

The ornamental design for a bicycle part, as shown and described.

DESCRIPTION

FIG. 1 is a top, front, left side perspective view showing my new design for a bicycle part.

FIG. 2 is a top, front, right side perspective view thereof.

FIG. 3 is a front plan view thereof, wherein the rear plan view is a mirror image of the front plan view.

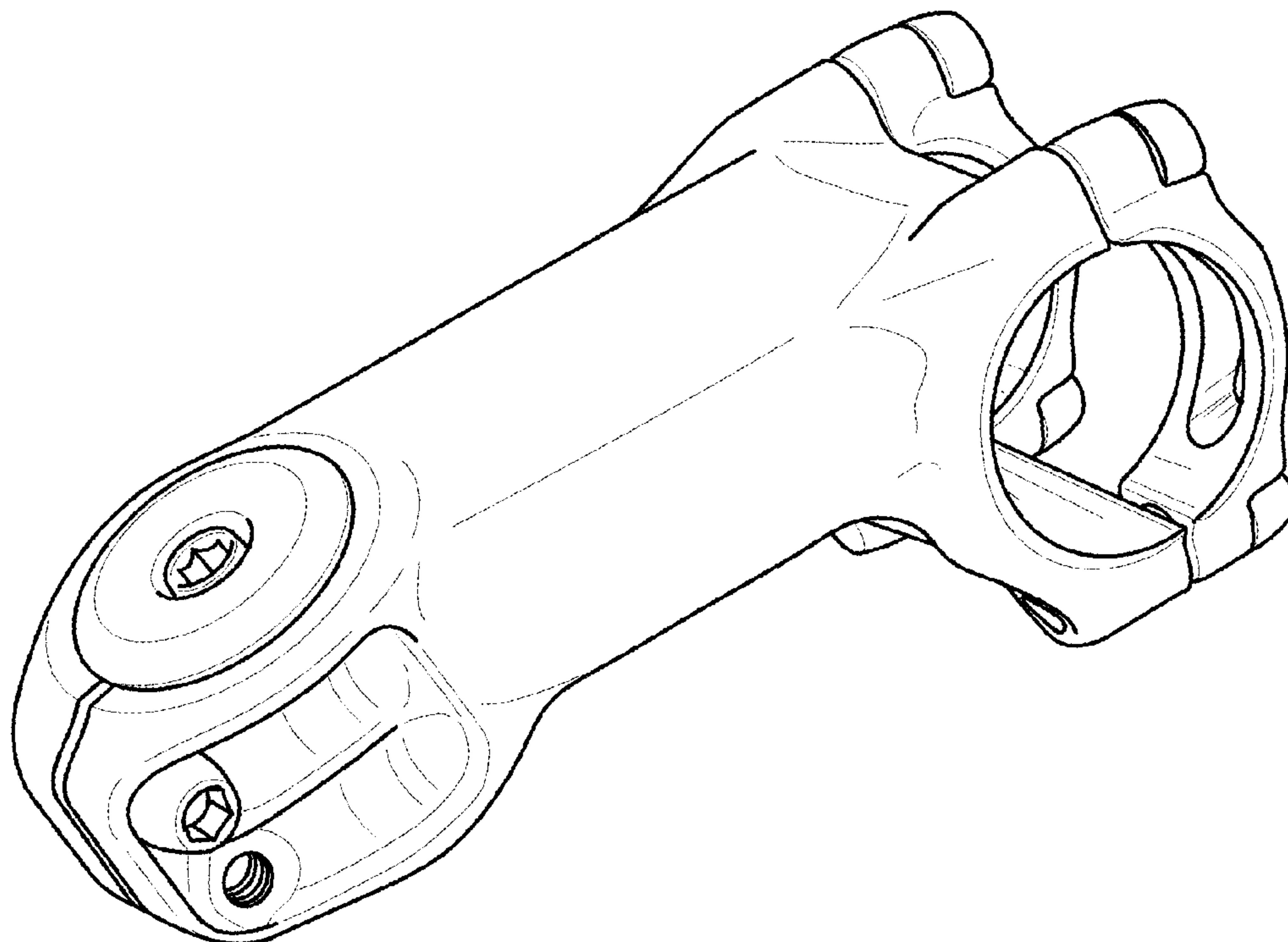
FIG. 4 is a top plan view along lines 4-4 of FIG. 3.

FIG. 5 is a bottom plan view thereof.

FIG. 6 is a left side plan view thereof; and,

FIG. 7 is a right side plan view thereof.

1 Claim, 5 Drawing Sheets



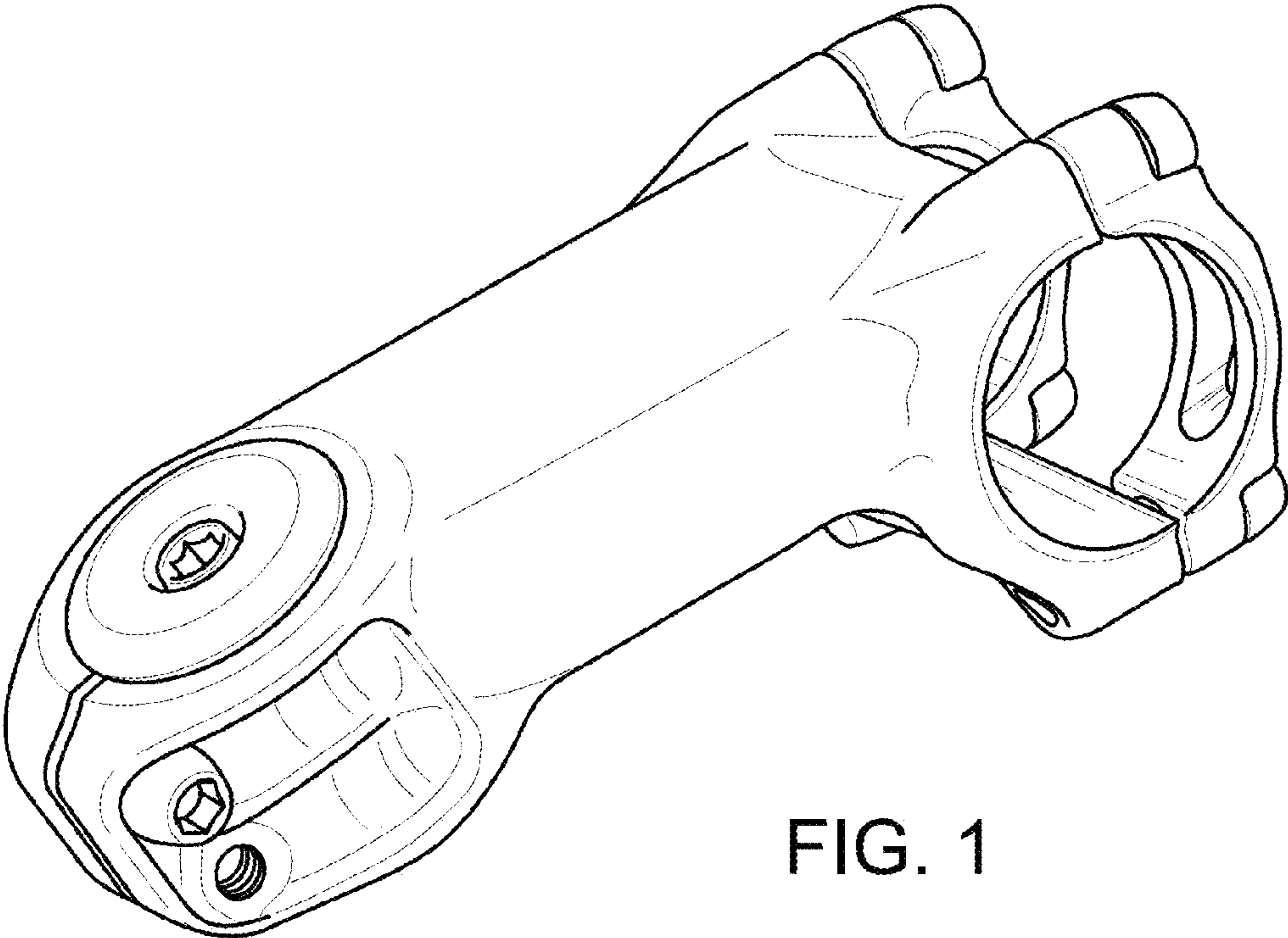


FIG. 1

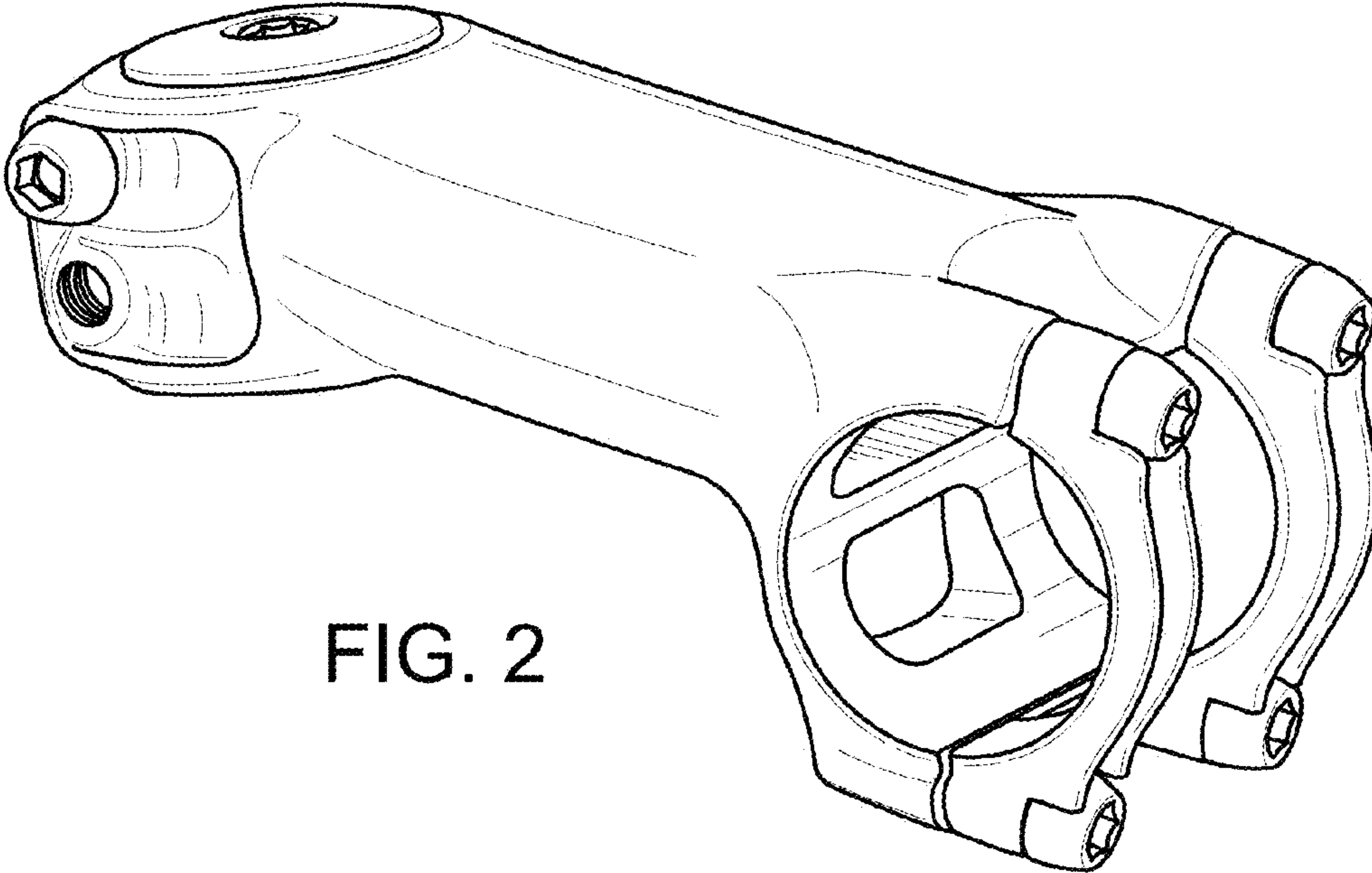


FIG. 2

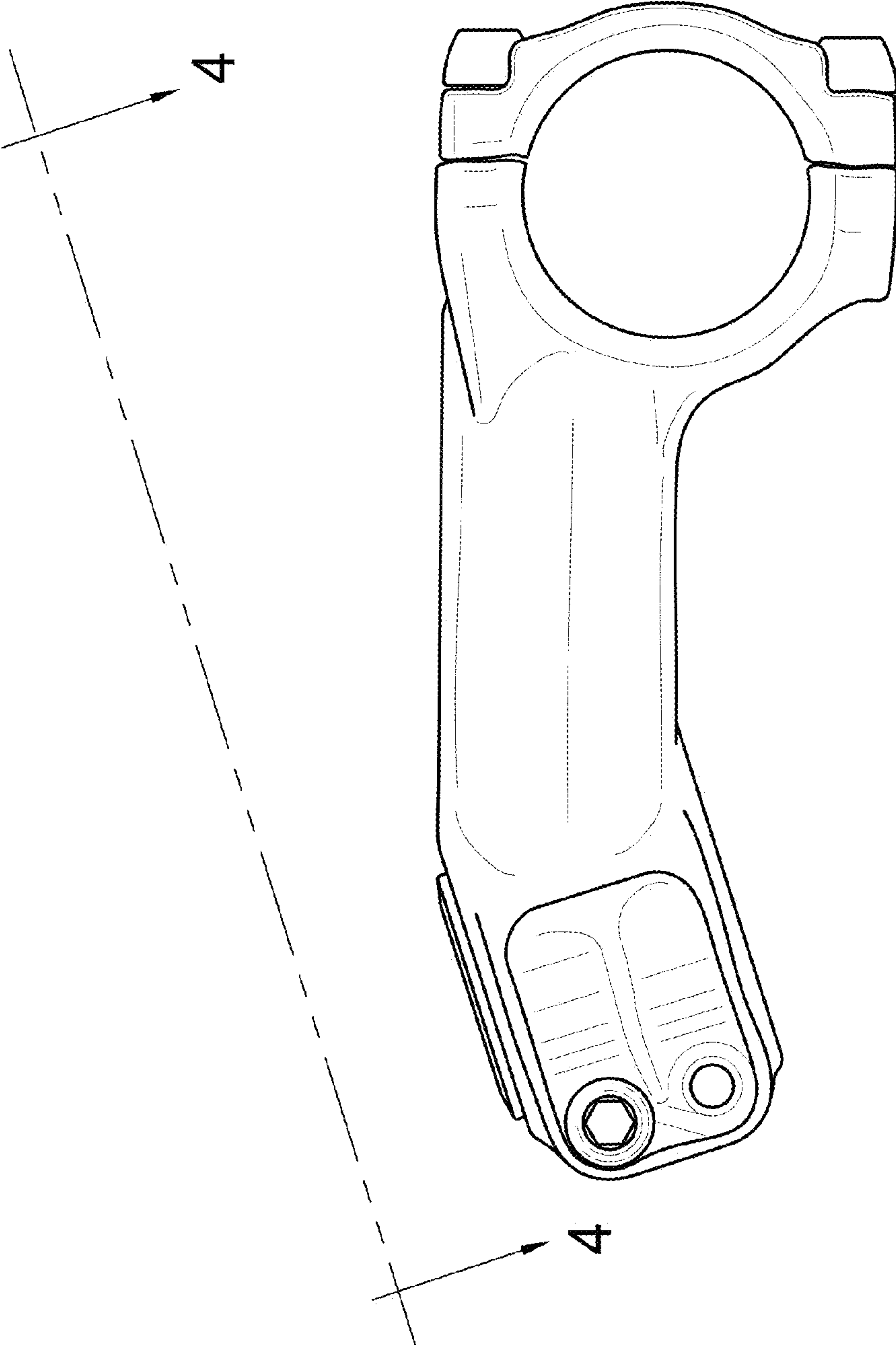


FIG. 3

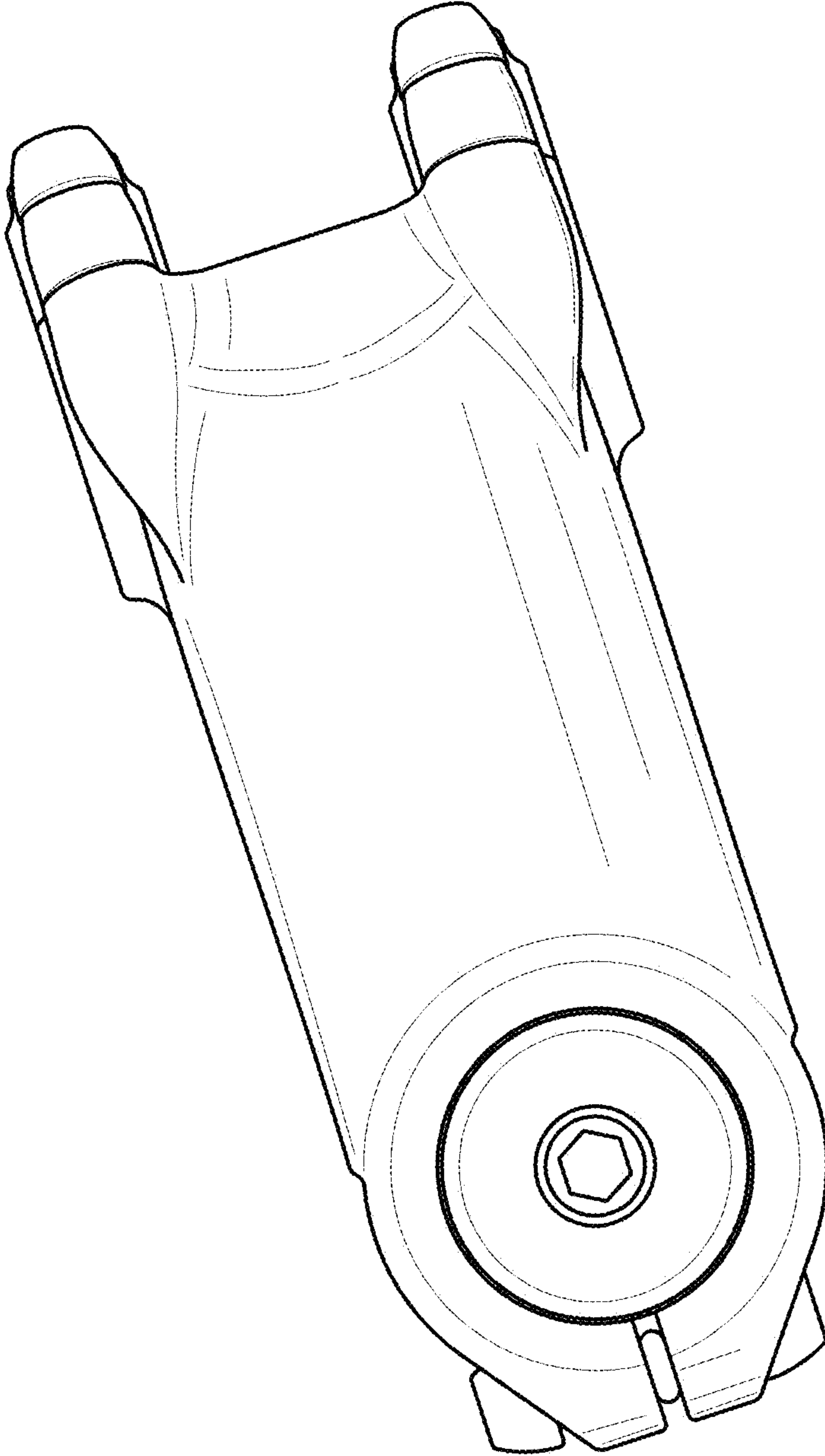


FIG. 4

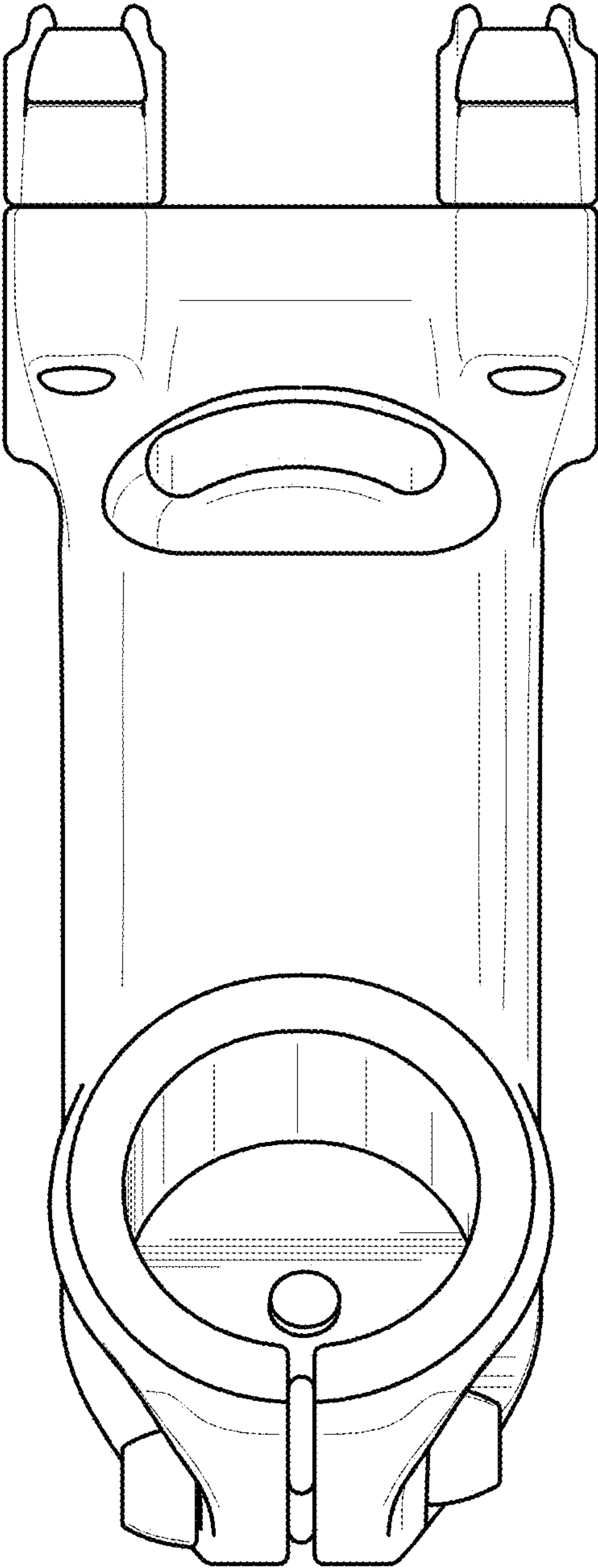


FIG. 5

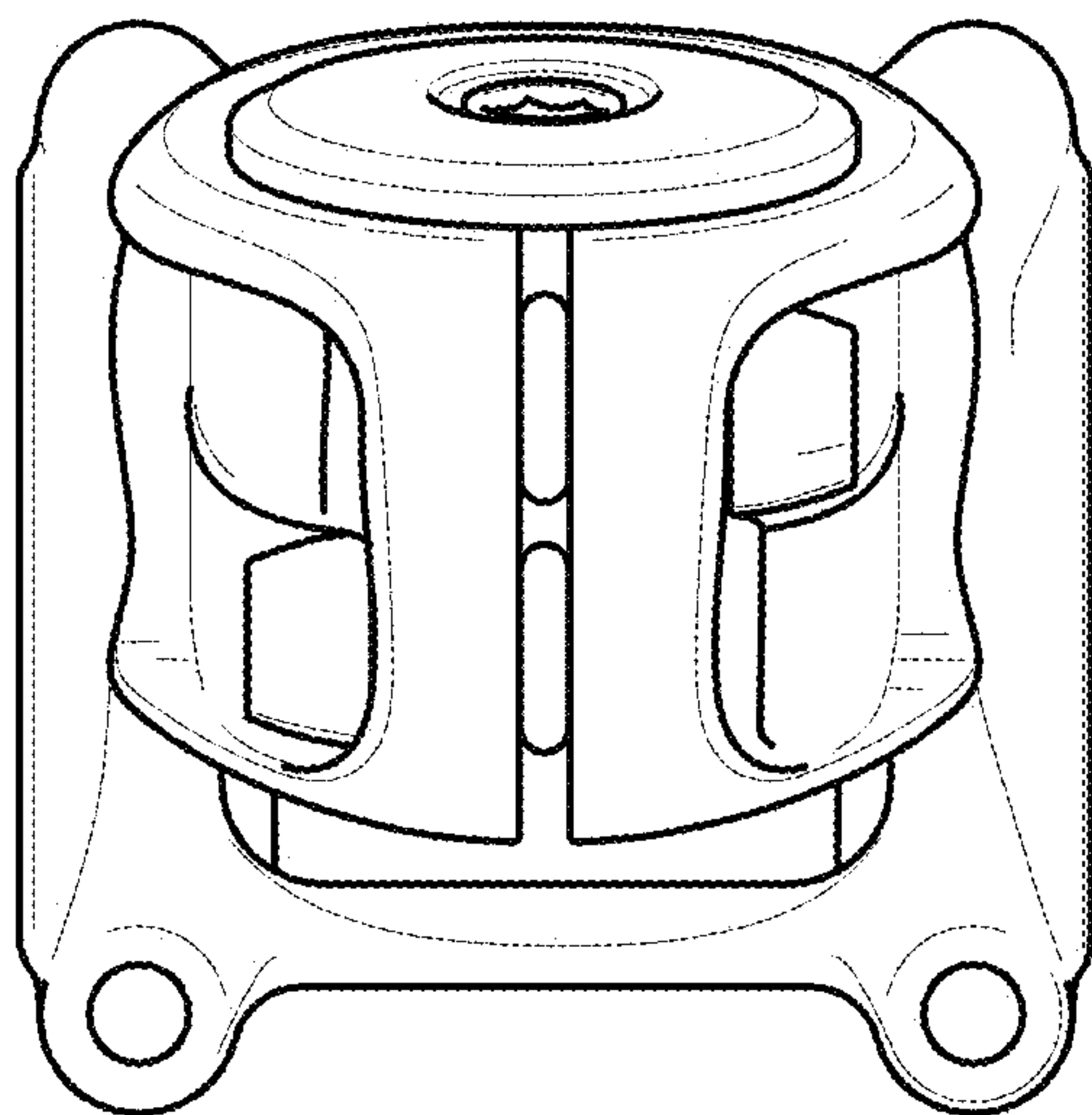


FIG. 6

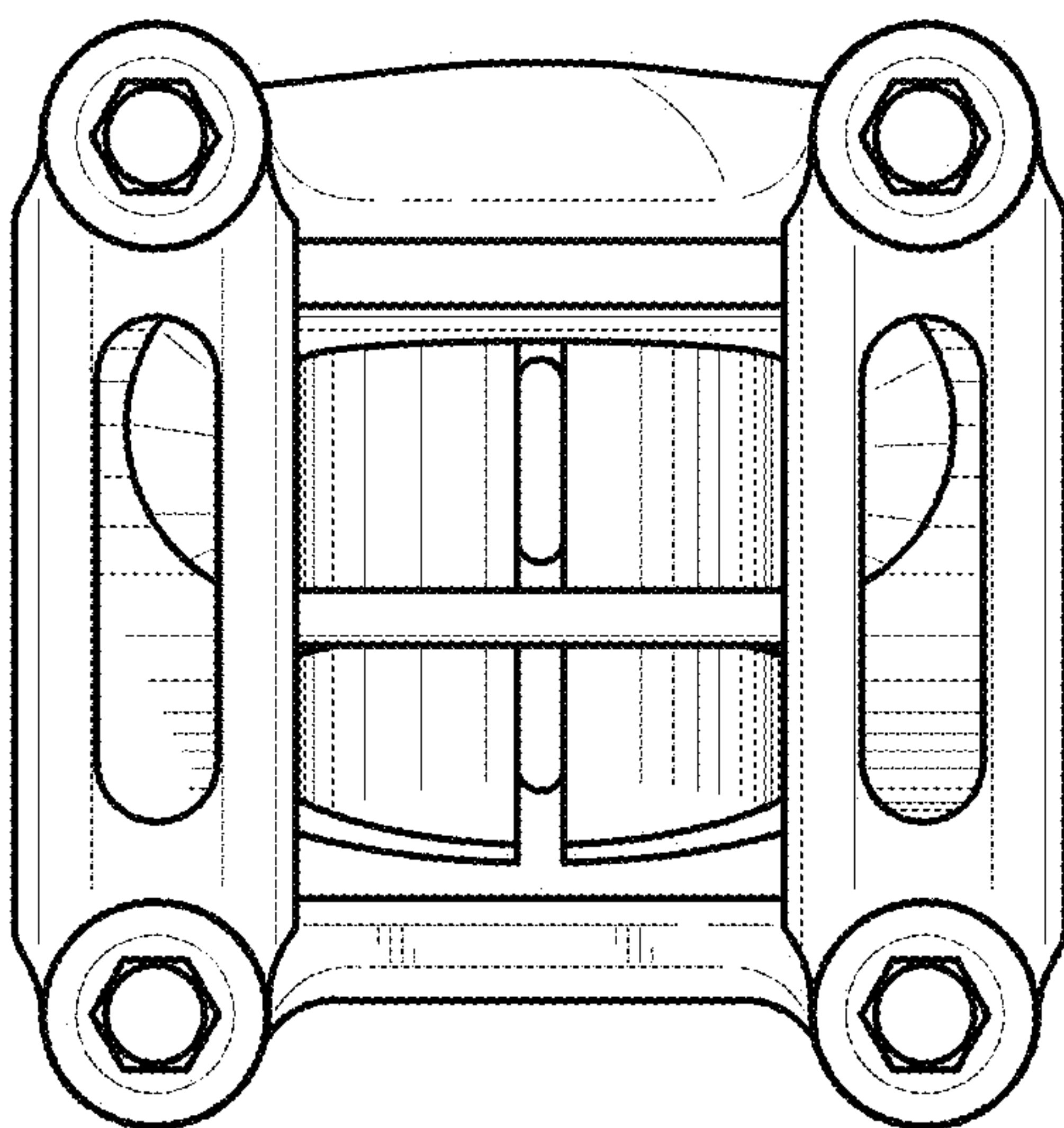


FIG. 7