



US00D688164S

(12) **United States Design Patent**  
**Calderon**

(10) **Patent No.:** **US D688,164 S**

(45) **Date of Patent:** **\*\* Aug. 20, 2013**

(54) **BICYCLE**

(76) Inventor: **Isaac Calderon**, San Diego, CA (US)

(\*\*) Term: **14 Years**

(21) Appl. No.: **29/416,460**

(22) Filed: **Mar. 22, 2012**

(51) **LOC (9) Cl.** ..... **12-11**

(52) **U.S. Cl.**  
USPC ..... **D12/111**

(58) **Field of Classification Search**  
USPC ..... D12/111, 107; D21/663-665, 668,  
D21/670, 671, 423; 482/51-53, 57; 280/221,  
280/224, 225, 242.1, 244, 246, 247, 251-253,  
280/256, 257, 259-261, 270, 298, 304, 255,  
280/258, 278, 288.1-288.3, 281.1  
See application file for complete search history.

(56) **References Cited**

**U.S. PATENT DOCUMENTS**

6,439,590 B1 \* 8/2002 Liang ..... 280/221  
D526,250 S \* 8/2006 Trumble et al. .... D12/111  
7,784,808 B2 \* 8/2010 Fan ..... 280/221

D638,498 S \* 5/2011 Scolari et al. .... D21/423  
D638,499 S \* 5/2011 Scolari et al. .... D21/423  
D645,792 S \* 9/2011 Bai ..... D12/111

\* cited by examiner

*Primary Examiner* — Susan M Lee

*Assistant Examiner* — Linda G Brooks

(74) *Attorney, Agent, or Firm* — Lewis Kohn & Fitzwilliam  
LLP; Kent M. Walker; Kari Moyer-Henry

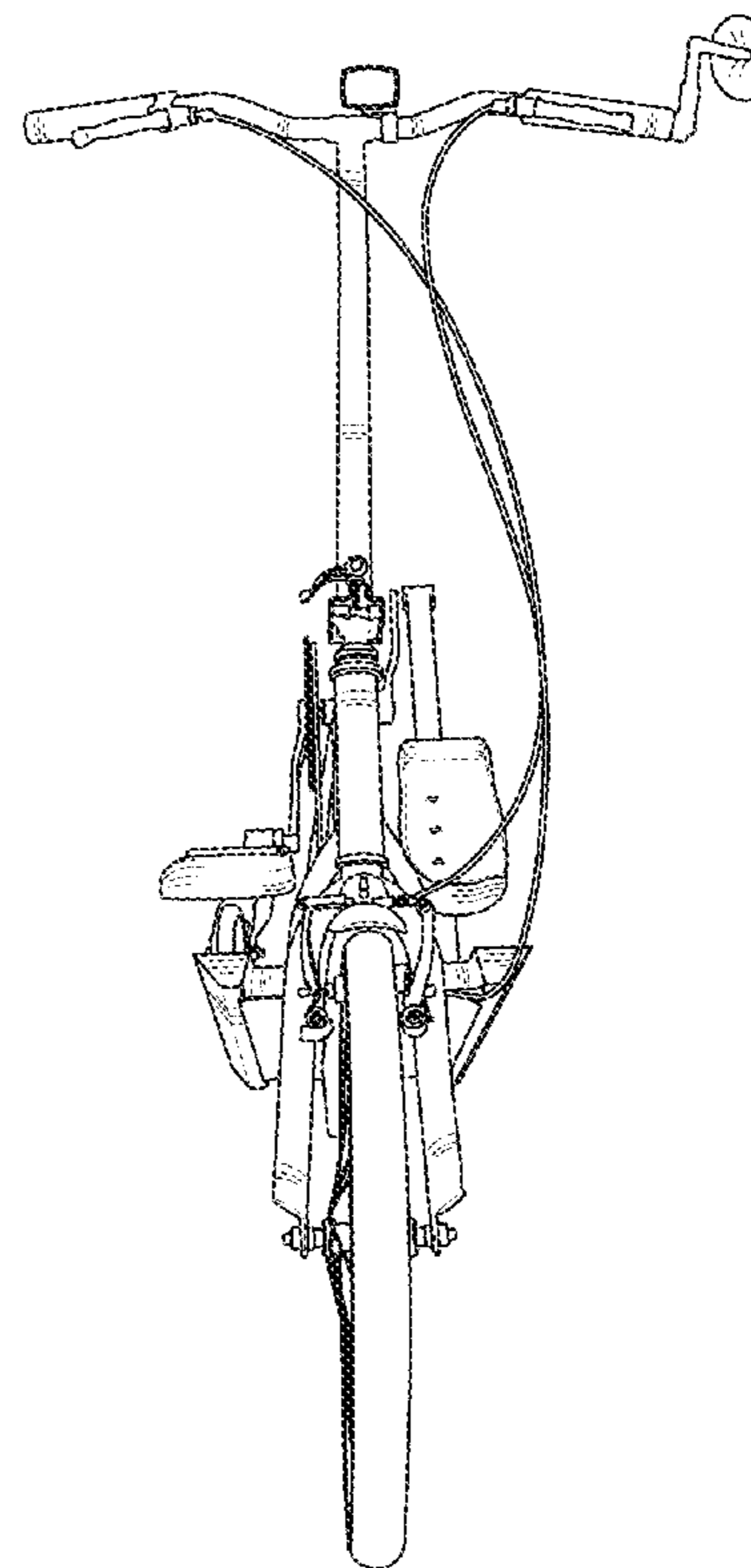
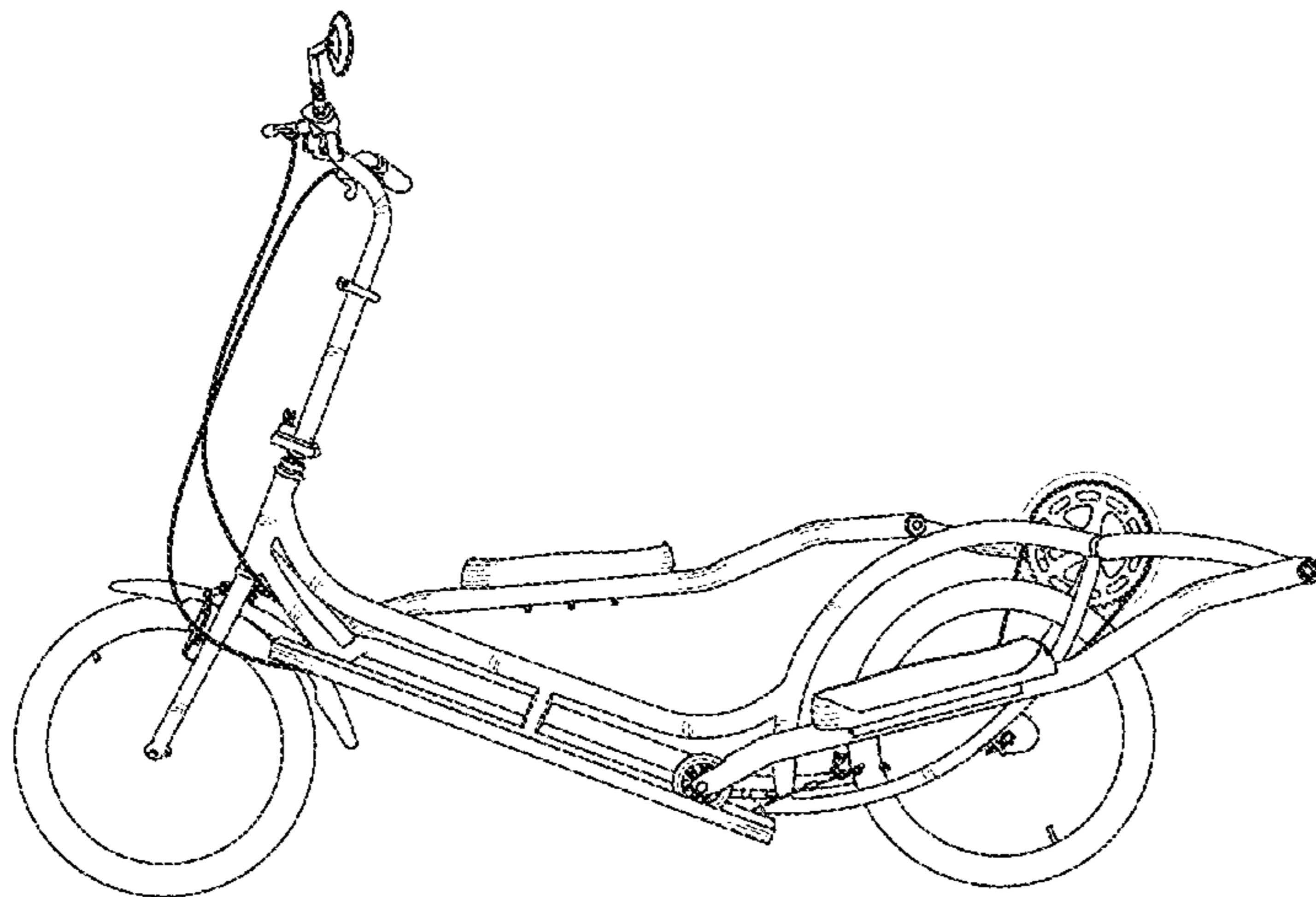
(57) **CLAIM**

I claim the ornamental design for a bicycle, as shown and described.

**DESCRIPTION**

FIG. 1 is a left side elevational view of my bicycle, showing my new design;  
FIG. 2 is a right side elevational view of the design of FIG. 1;  
FIG. 3 is a front elevational view of the design of FIG. 1;  
FIG. 4 is a back elevational view of the design of FIG. 1,  
FIG. 5 is a top elevational view of the design of FIG. 1; and,  
FIG. 6 is a bottom elevational view of the design of FIG. 1.  
Any broken line illustration of environmental structure in the drawings is not part of the design sought to be patented.

**1 Claim, 6 Drawing Sheets**



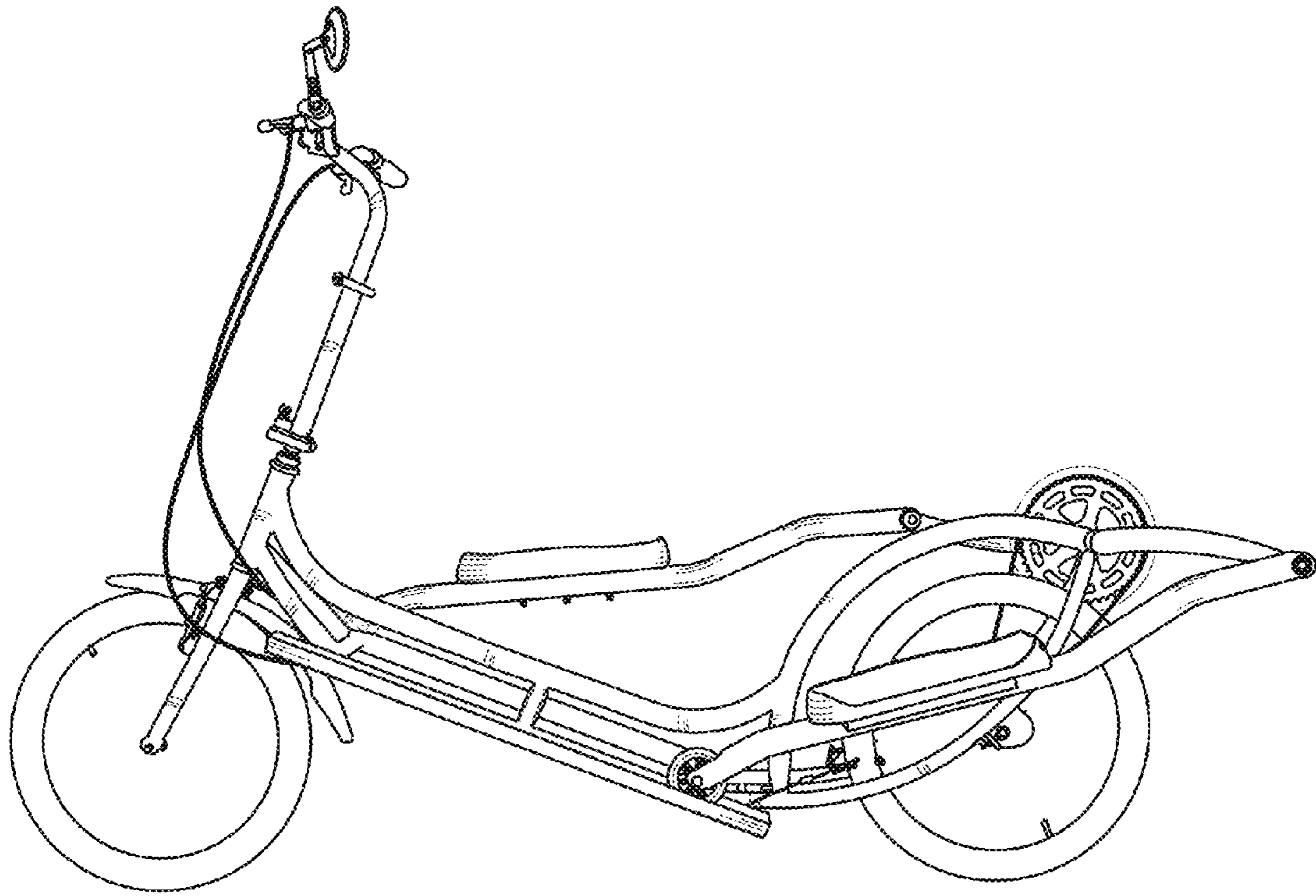


Fig. 1

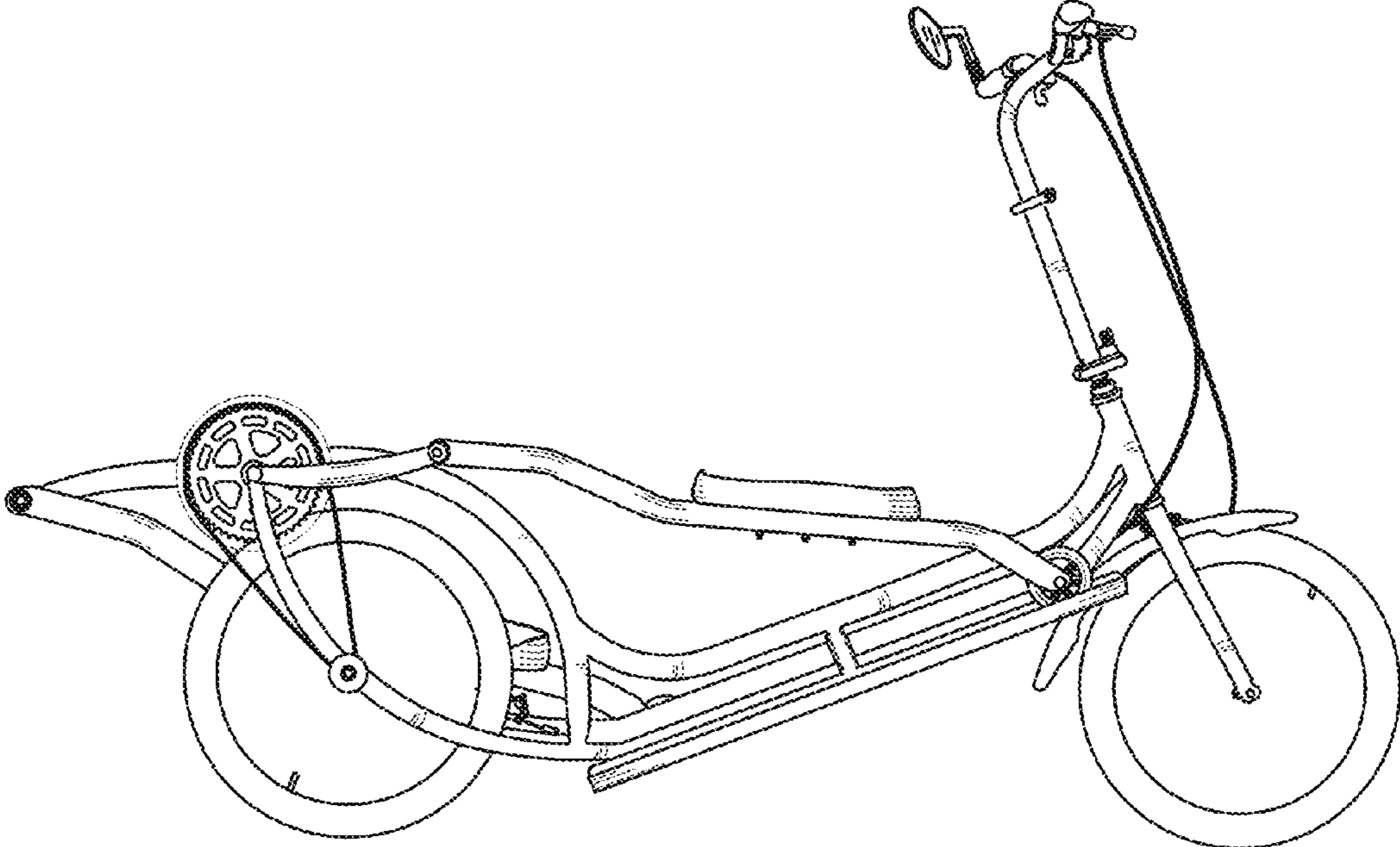


Fig. 2

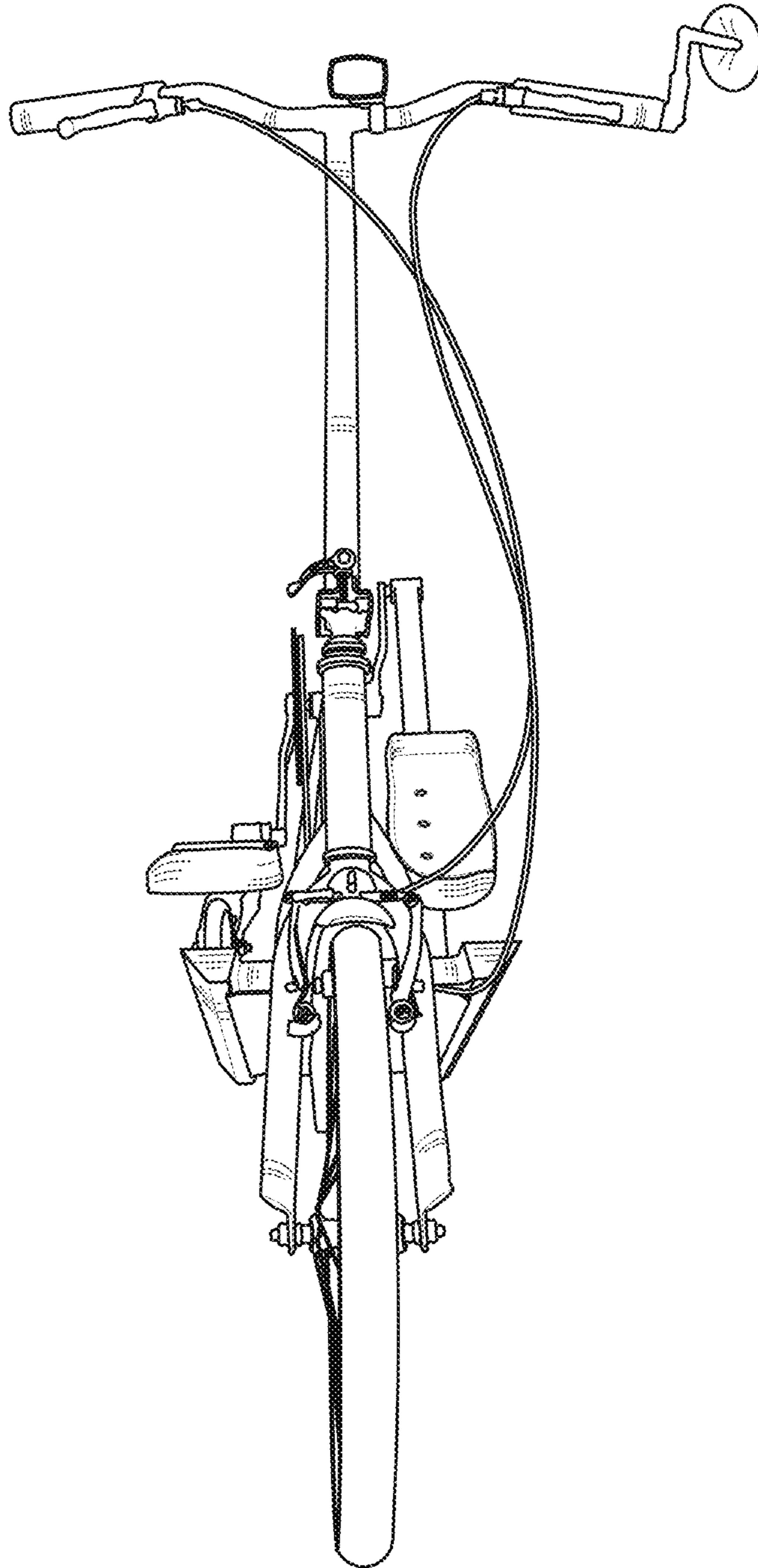


Fig. 3

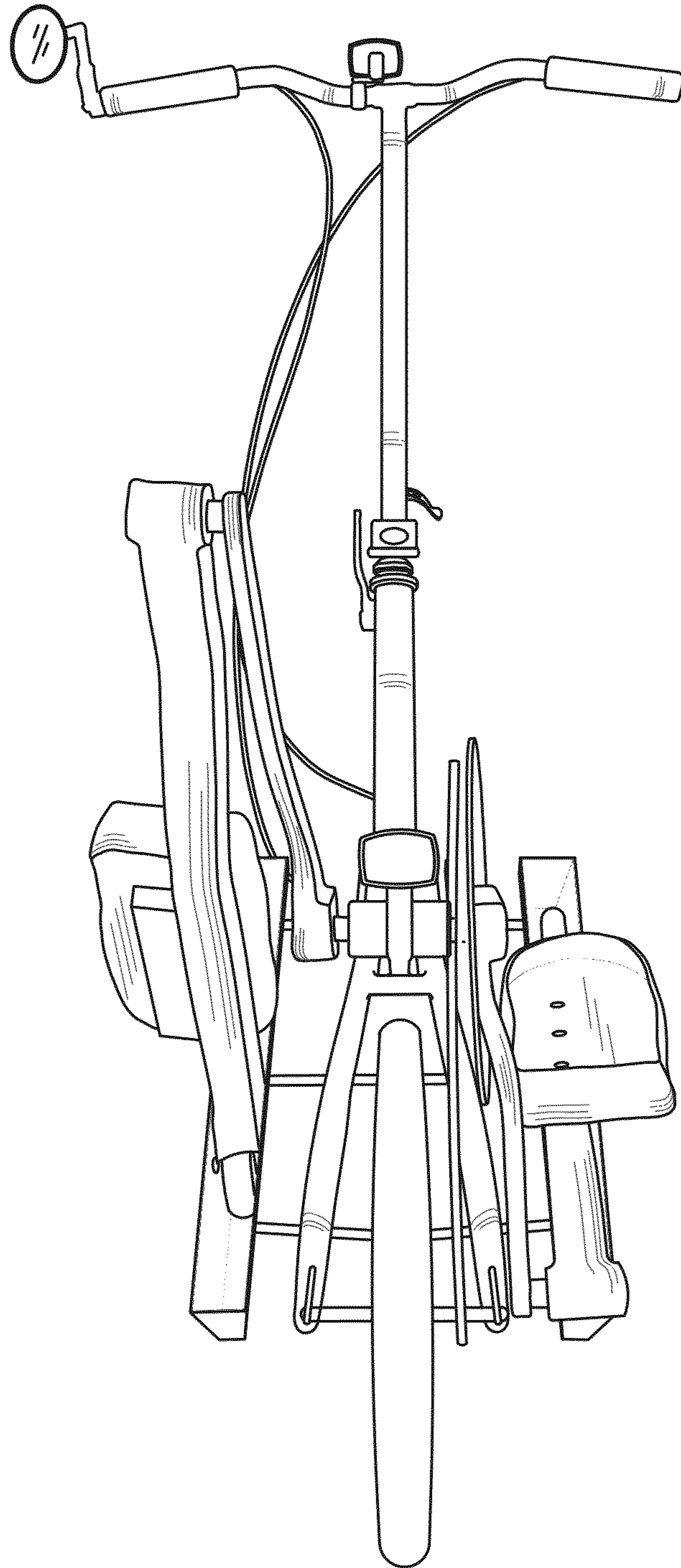


Fig. 4

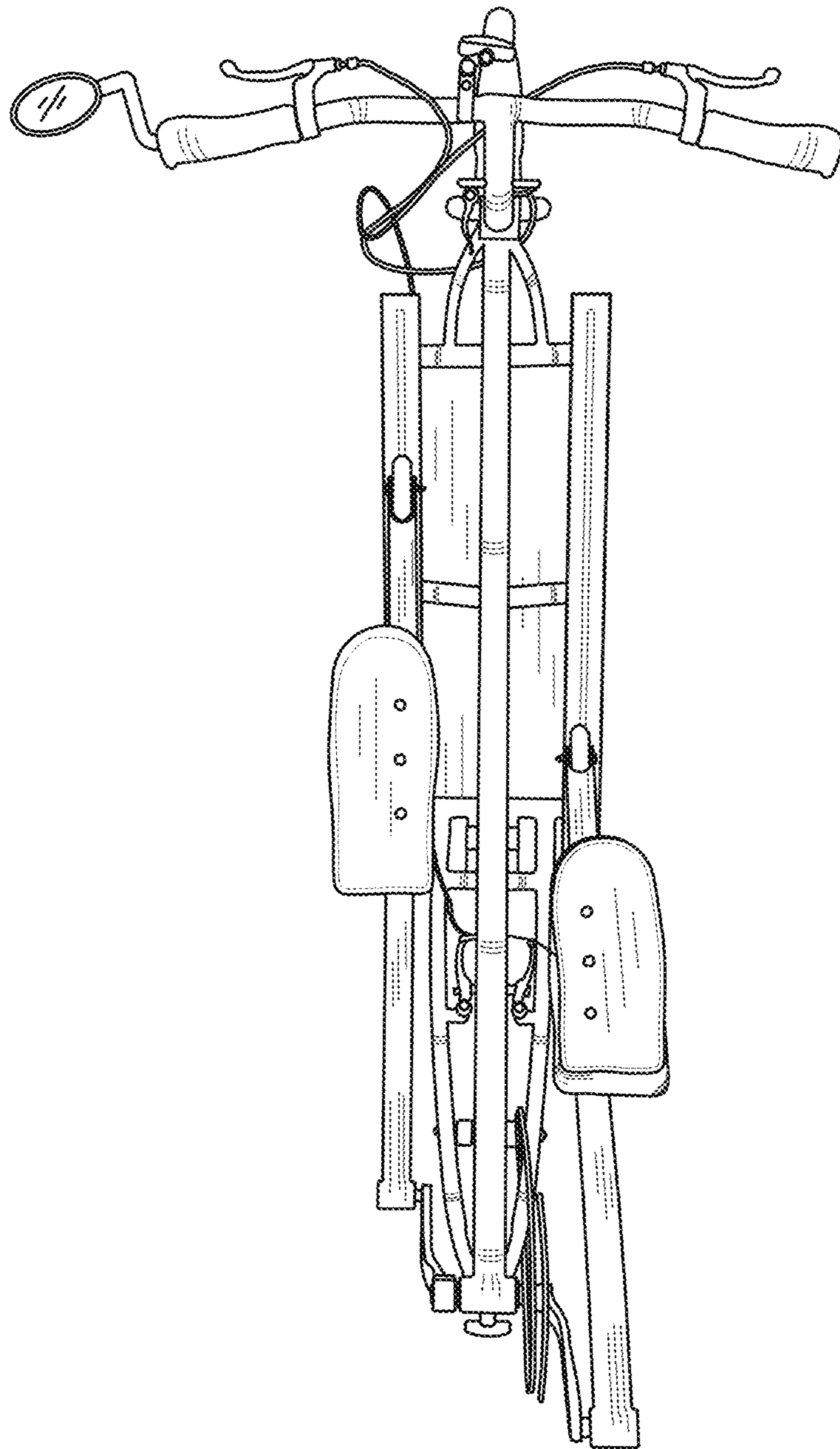


Fig. 5

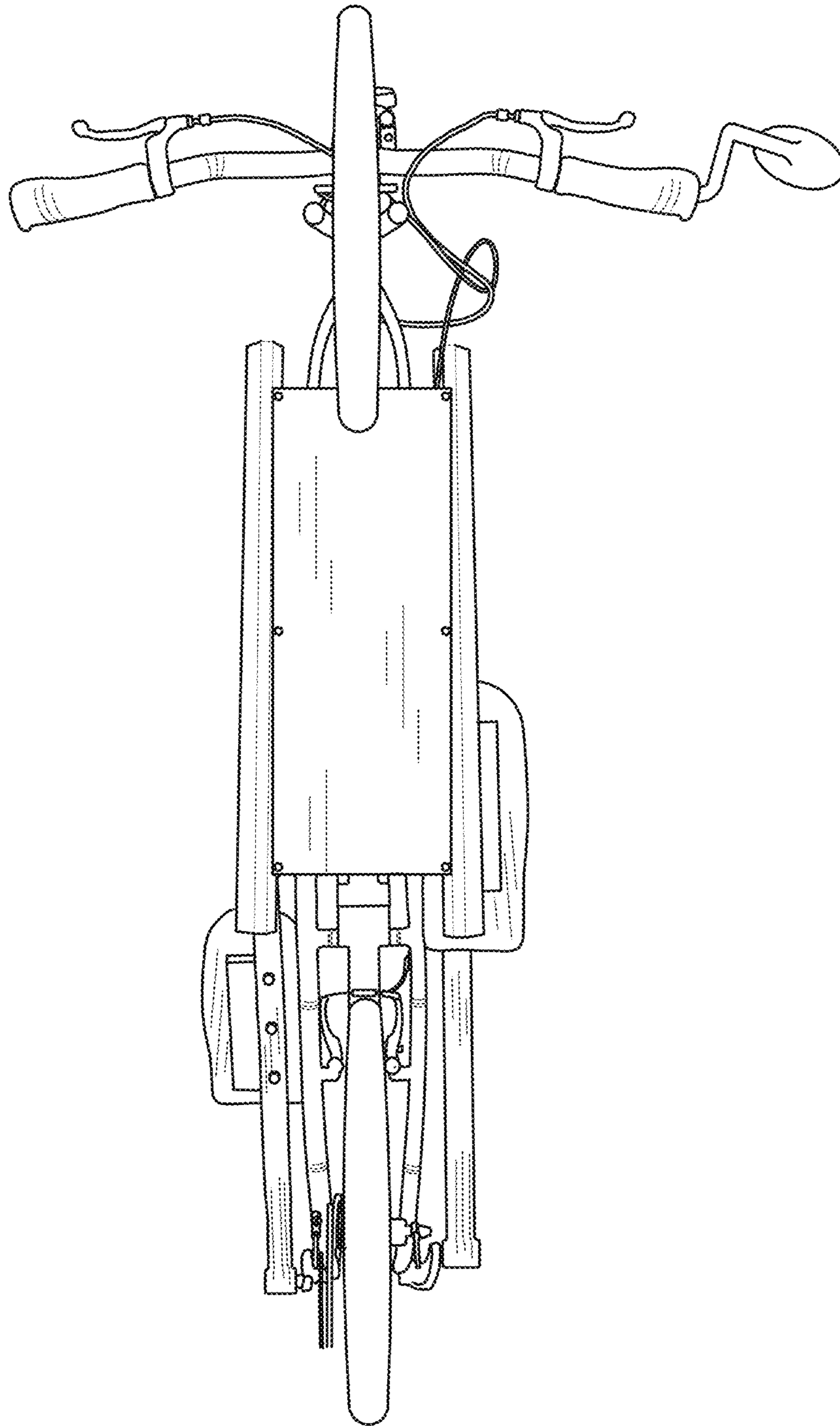


Fig. 6