



US00D688161S

(12) **United States Design Patent**
Song et al.

(10) **Patent No.:** **US D688,161 S**

(45) **Date of Patent:** **** Aug. 20, 2013**

(54) **VEHICLE**

(75) Inventors: **Solomon H. Song**, Farmington Hills, MI (US); **Darrell Paul Behmer**, Novi, MI (US); **Shawn Wehrly**, Royal Oak, MI (US); **Garen Nicoghosian**, Bloomfield Hills, MI (US)

(73) Assignee: **Ford Motor Company**, Dearborn, MI (US)

(**) Term: **14 Years**

(21) Appl. No.: **29/417,011**

(22) Filed: **Mar. 29, 2012**

(51) **LOC (9) Cl.** **12-08**

(52) **U.S. Cl.**
USPC **D12/92; D12/86; D12/82**

(58) **Field of Classification Search**
USPC **D12/82, 86, 88, 90, 91, 92; D21/424, D21/433, 434, 548; 296/181.1, 181.5**
See application file for complete search history.

(56) **References Cited**

U.S. PATENT DOCUMENTS

D527,138 S	8/2006	Golden et al.	
D544,413 S	6/2007	Golden et al.	
D545,728 S	7/2007	Golden et al.	
D570,737 S *	6/2008	Dean et al.	D12/92
D578,938 S	10/2008	Walter et al.	
D580,315 S	11/2008	Song et al.	
D581,332 S	11/2008	Song et al.	
D583,726 S	12/2008	Song et al.	
D584,197 S	1/2009	Song et al.	
D584,998 S *	1/2009	Lamm et al.	D12/92
D588,511 S	3/2009	Song et al.	
D599,709 S *	9/2009	Malachowski et al.	D12/92
D601,064 S	9/2009	Golden et al.	
D602,400 S *	10/2009	Chae	D12/92
D610,951 S *	3/2010	Jakob	D12/92
D619,932 S *	7/2010	Yi	D12/92

D620,625 S	7/2010	Song et al.	
D622,426 S	8/2010	Song et al.	
D628,939 S *	12/2010	Komuro	D12/92
D628,942 S *	12/2010	Kim	D12/92
D629,718 S *	12/2010	Reichman et al.	D12/92
D630,556 S *	1/2011	Sakae et al.	D12/92
D631,795 S *	2/2011	Fisker et al.	D12/92
D635,059 S *	3/2011	Futschik et al.	D12/92
D636,706 S *	4/2011	Ward	D12/92
D638,556 S	5/2011	Song et al.	
D639,209 S *	6/2011	Faghihzadeh	D12/92
D641,666 S *	7/2011	Yi	D12/92
D644,567 S *	9/2011	Kozub	D12/92
D647,431 S *	10/2011	Schell et al.	D12/92
D649,493 S *	11/2011	Kim	D12/92
D669,000 S *	10/2012	Uchiyama et al.	D12/92
D670,201 S *	11/2012	Ham	D12/92
D671,036 S *	11/2012	Inatomi et al.	D12/92
D674,319 S *	1/2013	Doyle et al.	D12/92
D674,727 S *	1/2013	Karras et al.	D12/92
D676,788 S *	2/2013	Yamada et al.	D12/92
D676,789 S *	2/2013	Song et al.	D12/92

* cited by examiner

Primary Examiner — Philip S. Hyder
Assistant Examiner — John T Applewhite
(74) *Attorney, Agent, or Firm* — Damian Porcari

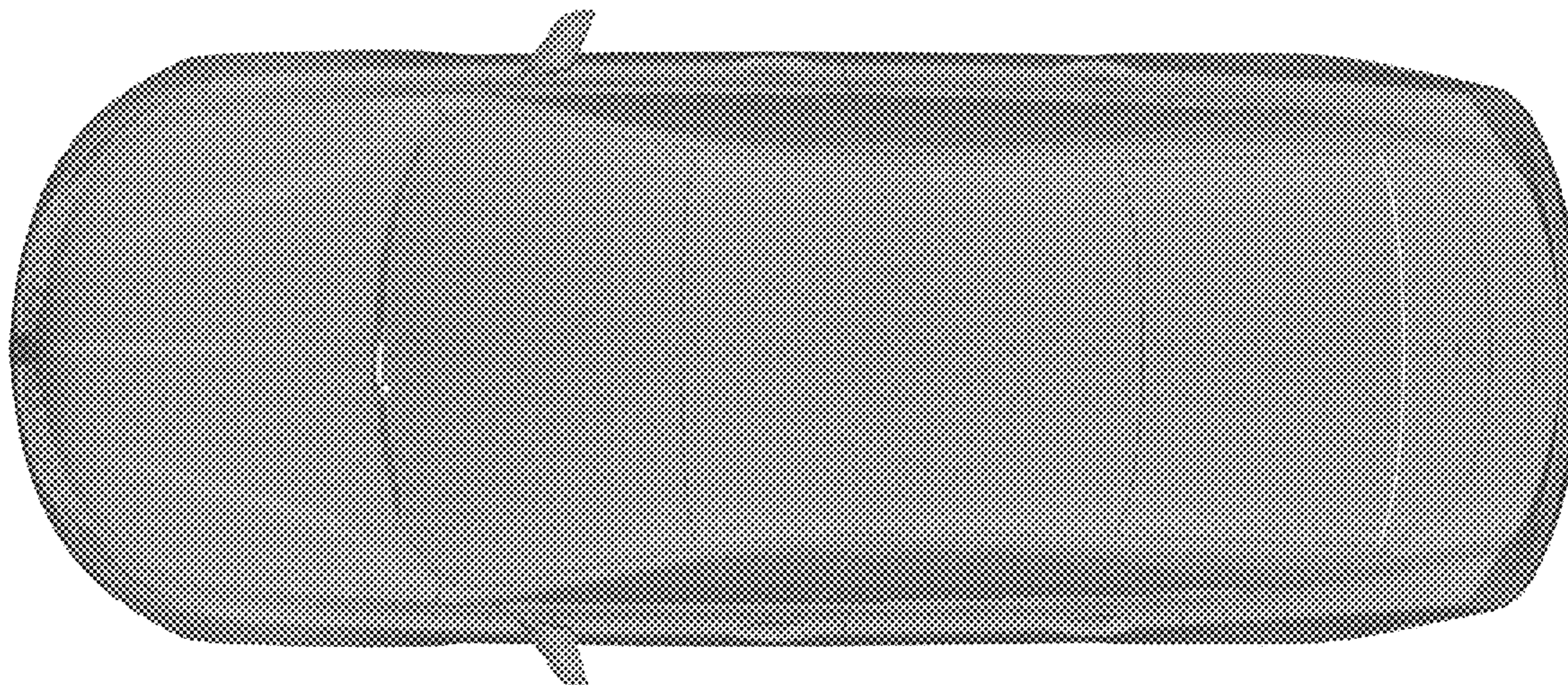
(57) **CLAIM**

The ornamental design for a vehicle, as shown and described.

DESCRIPTION

FIG. 1 is a top plan view of a vehicle;
FIG. 2 is a front elevational view of the vehicle;
FIG. 3 is a rear elevational view of the vehicle;
FIG. 4 is a left side elevational view of the vehicle;
FIG. 5 is a right side elevational view of the vehicle;
FIG. 6 is a perspective view of the vehicle; and,
FIG. 7 is another perspective view of the vehicle.
The broken lines illustrate portions of the vehicle that form no part of the claimed design.

1 Claim, 7 Drawing Sheets



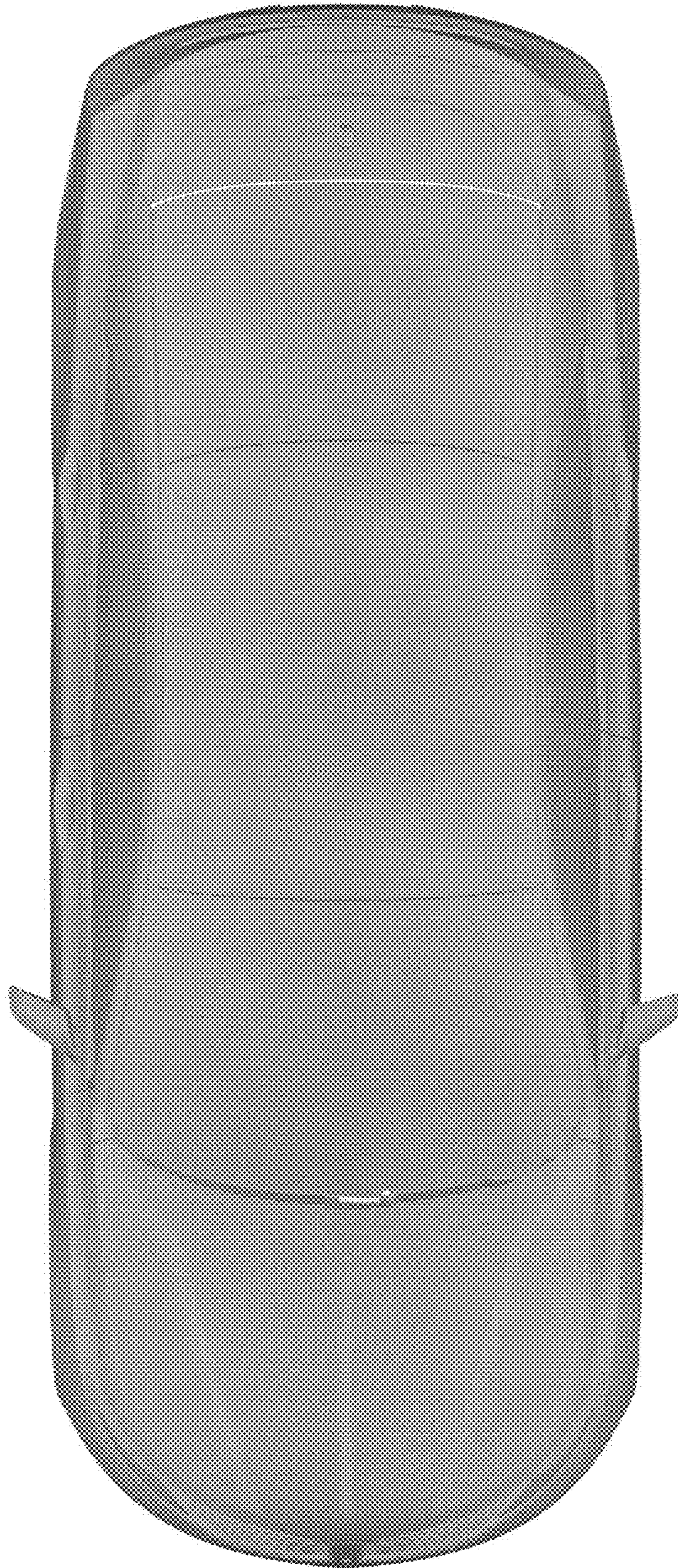


Figure 1

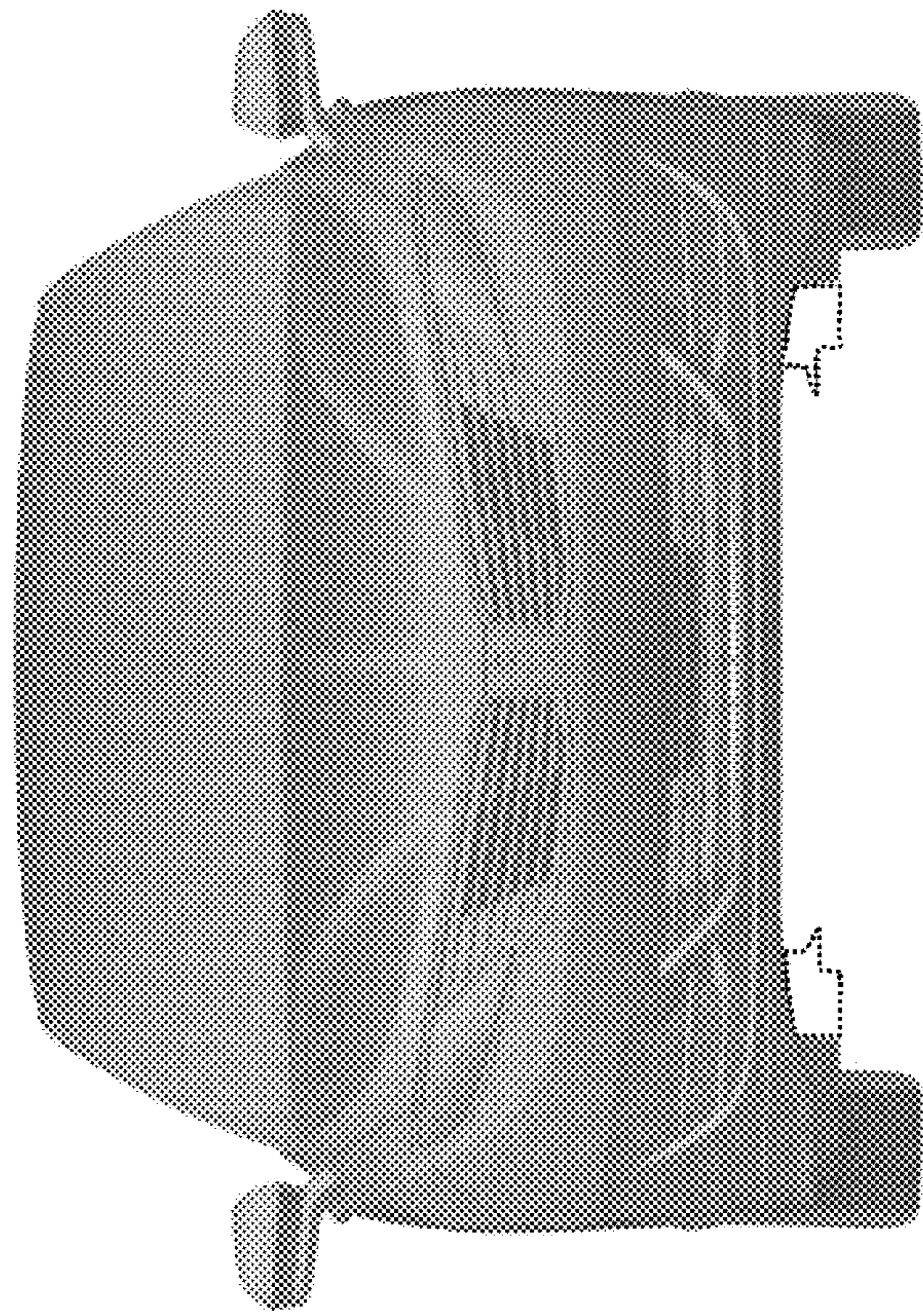


Figure 2

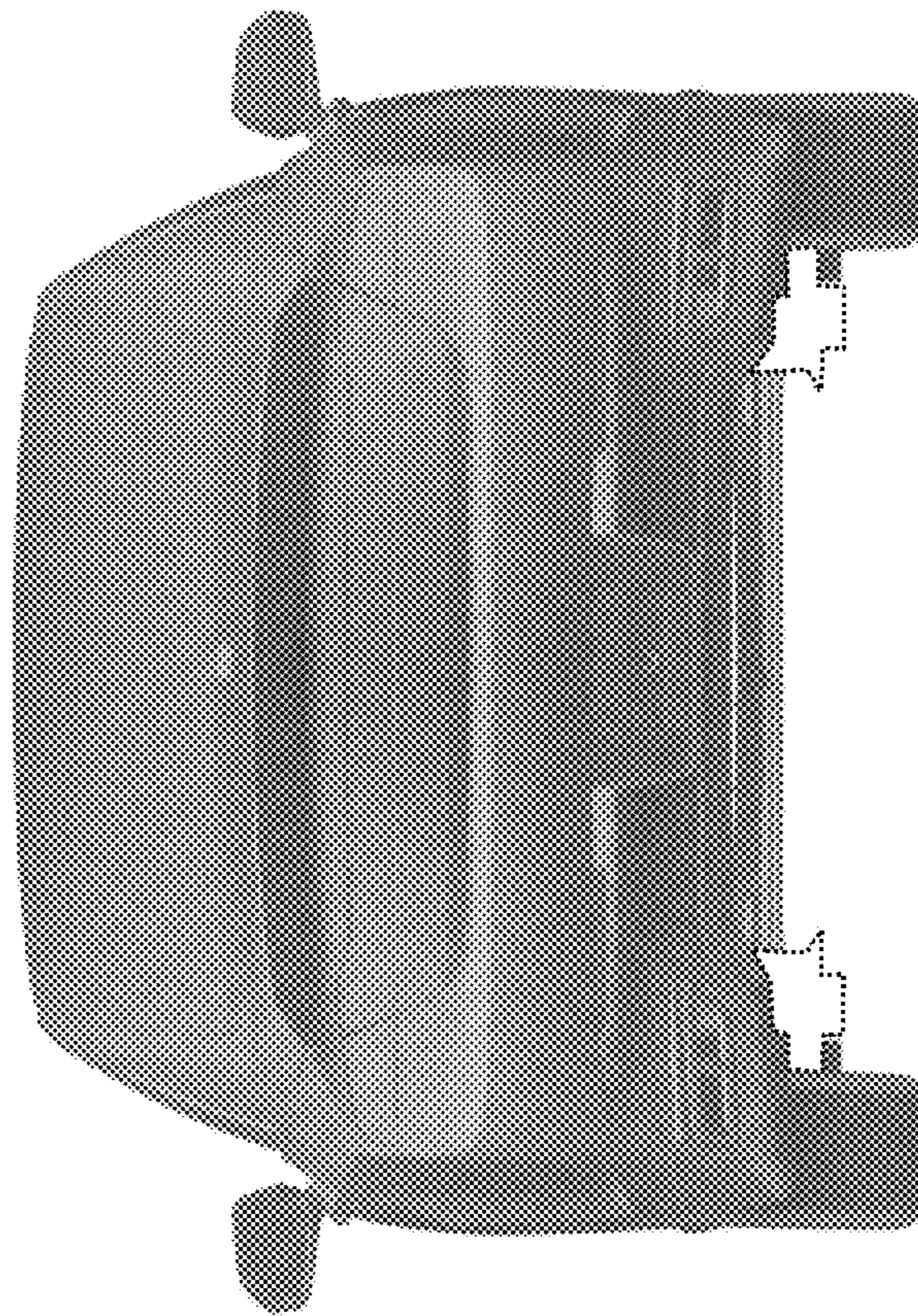


Figure 3

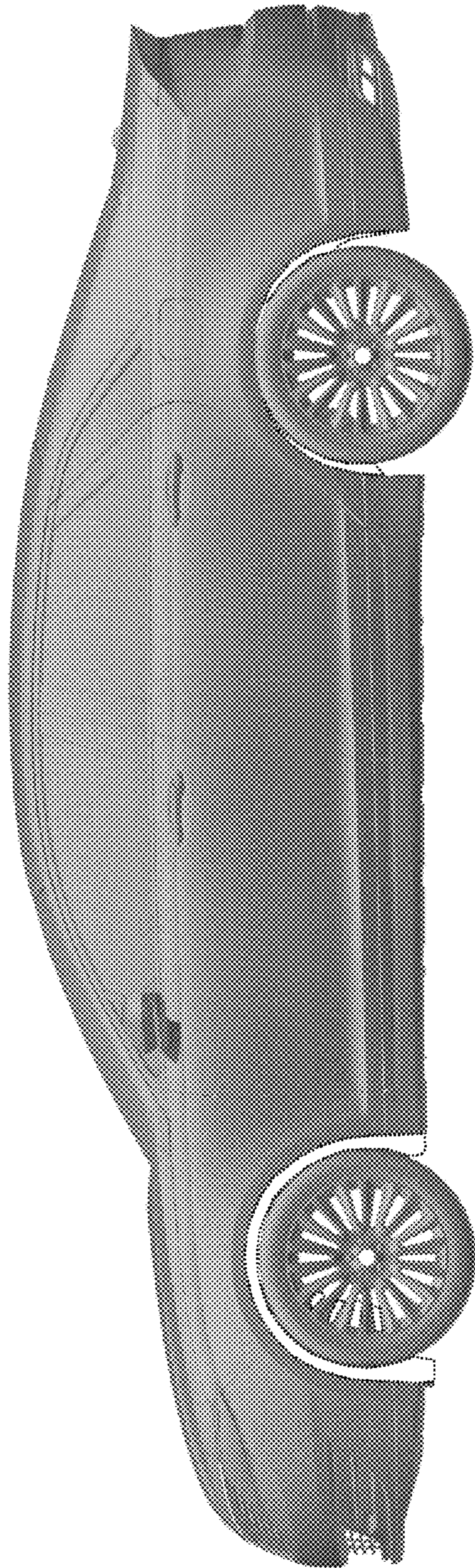


Figure 4

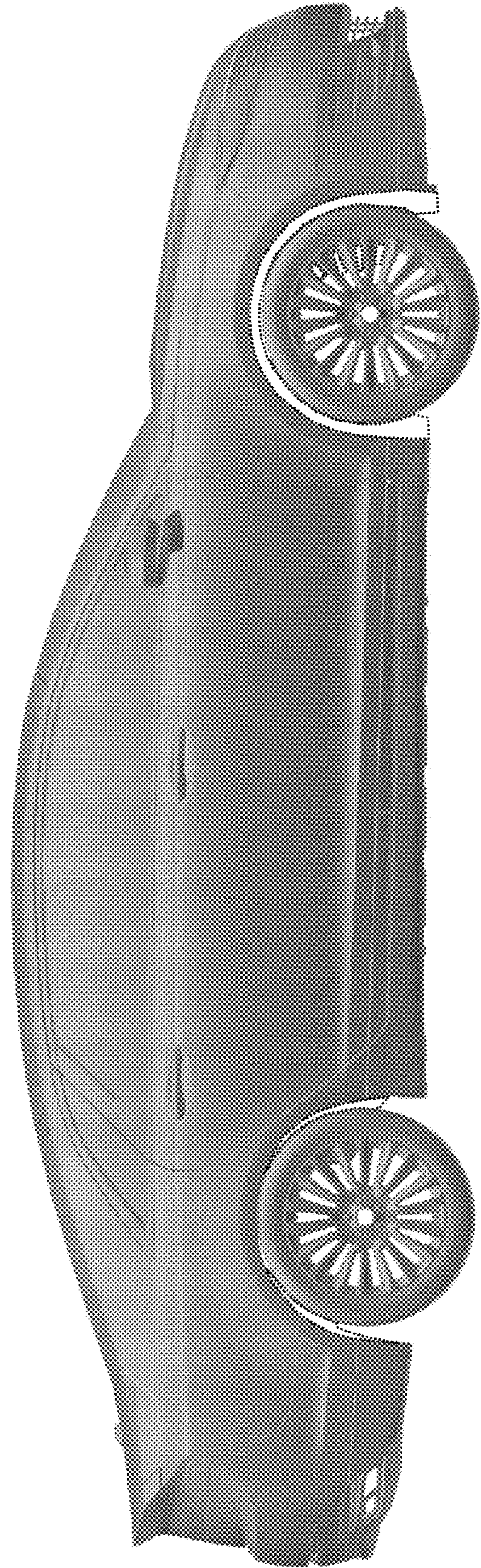


Figure 5

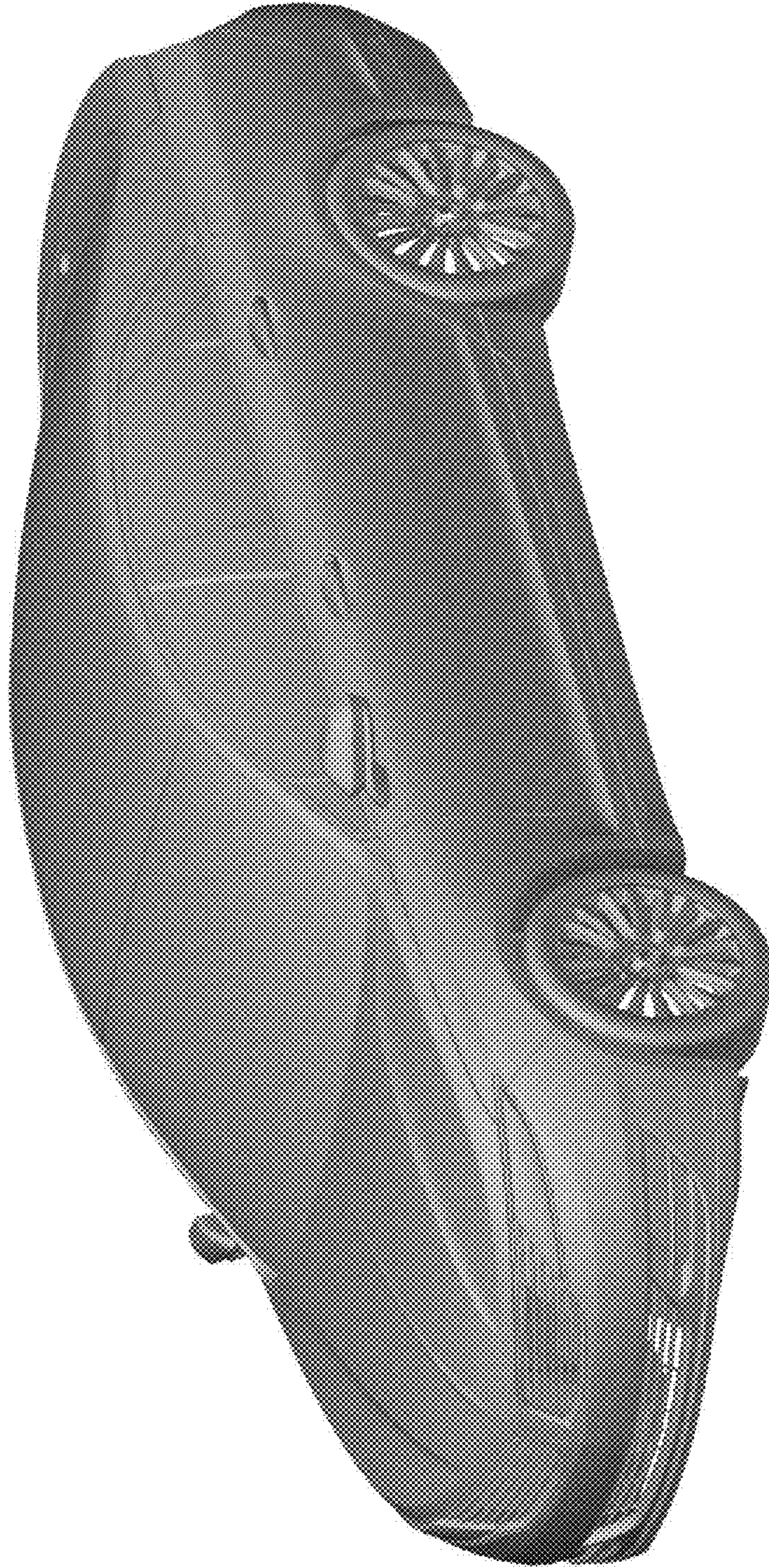


Figure 6

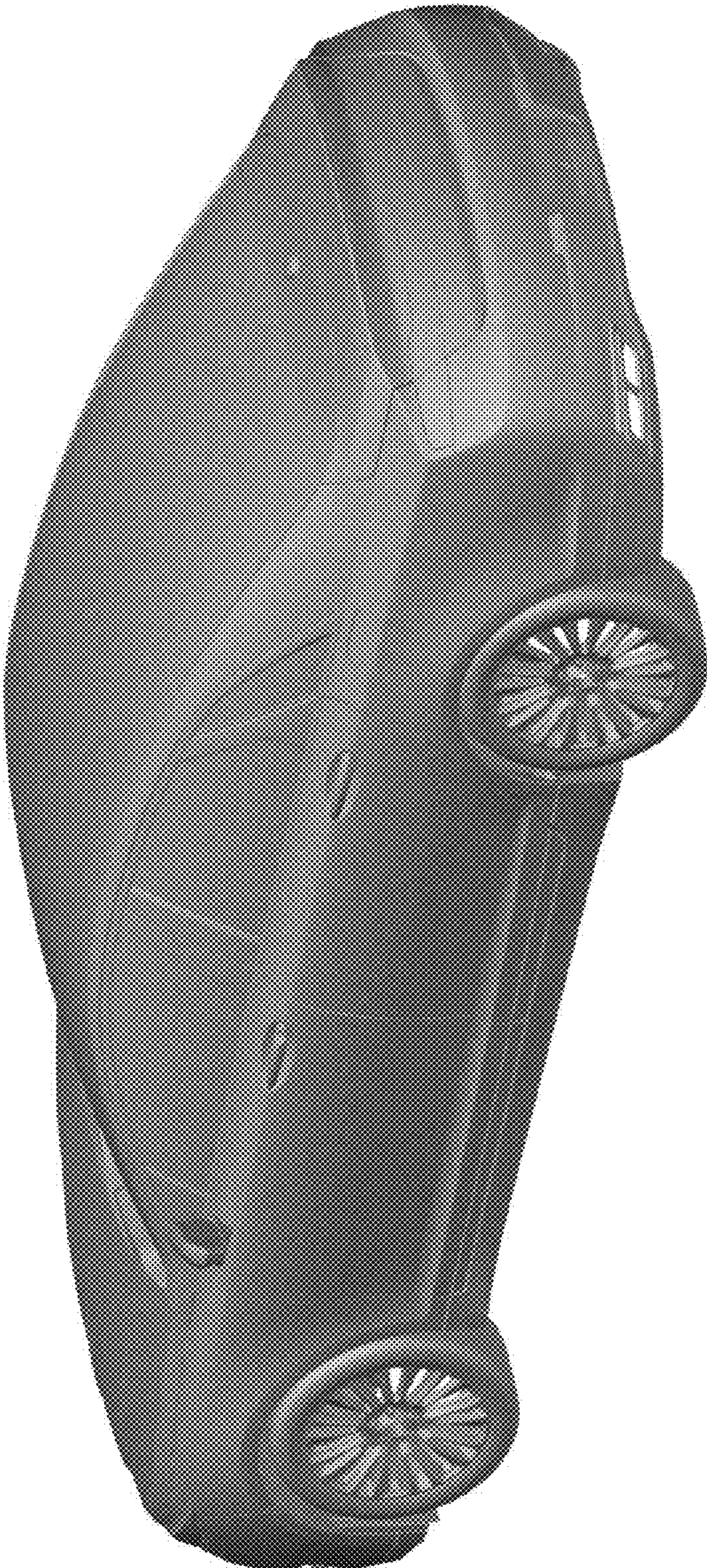


Figure 7