



US00D688159S

(12) **United States Design Patent**
Farabow

(10) **Patent No.:** **US D688,159 S**

(45) **Date of Patent:** **** Aug. 20, 2013**

(54) **LUG NUT BELT BUCKLE**

(71) Applicant: **Marc Nelson, LLC**, Knoxville, TN (US)

(72) Inventor: **Preston H. Farabow**, Knoxville, TN (US)

(73) Assignee: **Marc Nelson, LLC**, Knoxville, TN (US)

(**) Term: **14 Years**

(21) Appl. No.: **29/437,118**

(22) Filed: **Nov. 13, 2012**

(51) **LOC (9) Cl.** **02-07**

(52) **U.S. Cl.**
USPC **D11/232**

(58) **Field of Classification Search**
USPC D11/200–237; D2/625–629, 976;
24/625, 650, 199–200, 170, 30.5 R, 191;
224/163; 119/863
See application file for complete search history.

(56) **References Cited**

U.S. PATENT DOCUMENTS

D270,682 S *	9/1983	Rudd	D11/232
D270,782 S *	10/1983	Rudd	D11/232
D278,282 S *	4/1985	Rudd	D11/232
D286,223 S *	10/1986	Seehase	D11/232
D286,224 S *	10/1986	Seehase	D11/232
D286,225 S *	10/1986	Seehase	D11/232
D286,226 S *	10/1986	Seehase	D11/232
D290,448 S *	6/1987	Seehase	D11/232
D340,679 S *	10/1993	Chen	D11/232
D365,046 S *	12/1995	McKinley	D11/232

* cited by examiner

Primary Examiner — T. Chase Nelson

Assistant Examiner — Mark Cavanna

(74) *Attorney, Agent, or Firm* — Pitts & Lake, PC

(57) **CLAIM**

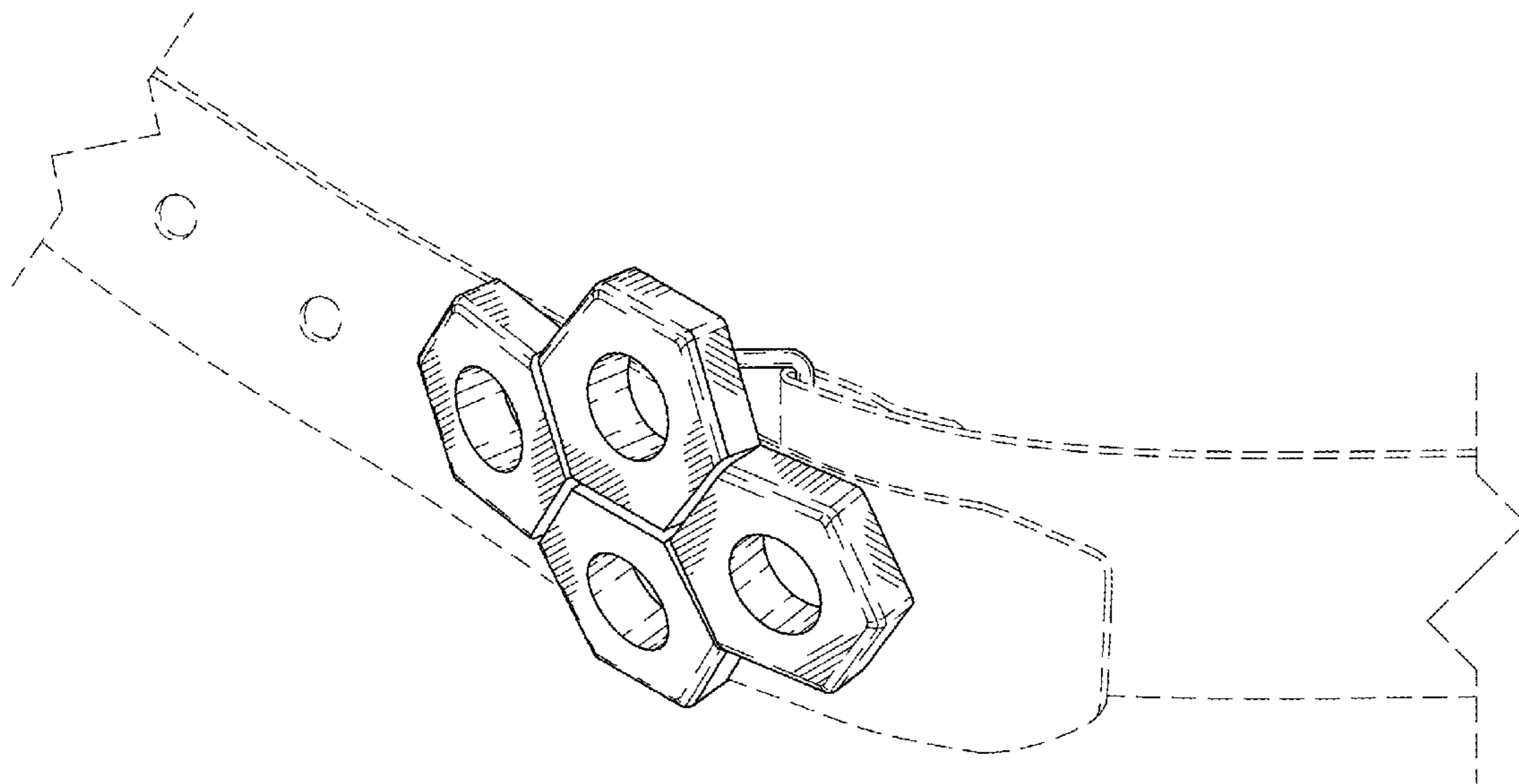
I claim the ornamental design for a lug nut belt buckle, as shown and described.

DESCRIPTION

FIG. 1 is a perspective view of a first embodiment of a design of the present invention for a lug nut belt buckle;
 FIG. 2 is a top view the lug nut belt buckle of FIG. 1, the bottom view being a mirror image thereof;
 FIG. 3 is a left side elevation view of the lug nut belt buckle of FIG. 1;
 FIG. 4 is a right side elevation view of the lug nut belt buckle of FIG. 1;
 FIG. 5 is a front side elevation view of the lug nut belt buckle of FIG. 1;
 FIG. 6 is a rear side elevation view of the lug nut belt buckle of FIG. 1;
 FIG. 7 is a perspective view of a second embodiment of a design of the present invention for a lug nut belt buckle;
 FIG. 8 is a top view the lug nut belt buckle of FIG. 7, the bottom view being a mirror image thereof;
 FIG. 9 is a left side elevation view of the lug nut belt buckle of FIG. 7;
 FIG. 10 is a right side elevation view of the lug nut belt buckle of FIG. 7;
 FIG. 11 is a front side elevation view of the lug nut belt buckle of FIG. 7; and,
 FIG. 12 is a rear side elevation view of the lug nut belt buckle of FIG. 7.

The features of the belt shown in broken lines are for illustrative purposes only and form no part of the claimed design.

1 Claim, 6 Drawing Sheets



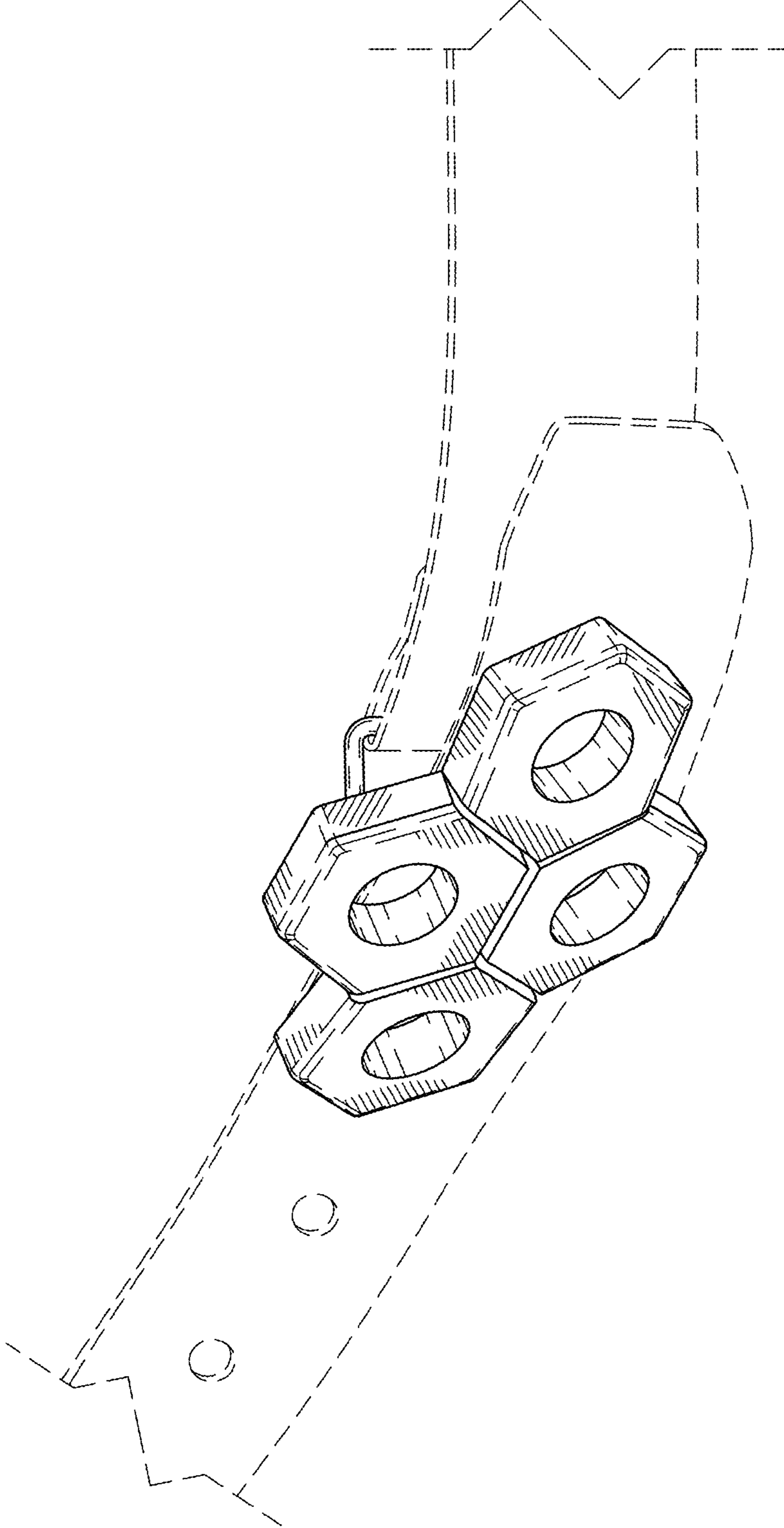


Fig. 1

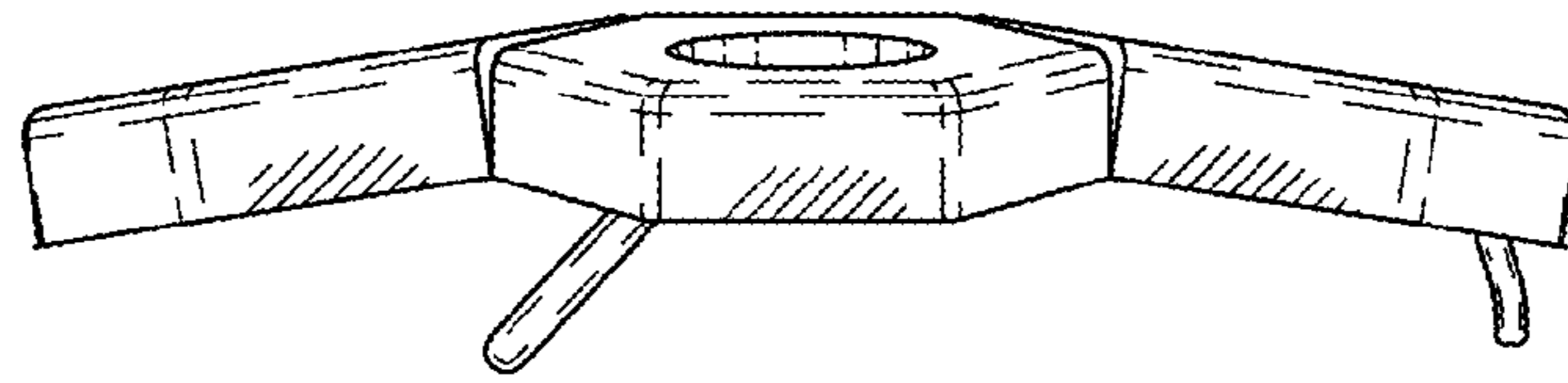


Fig. 2

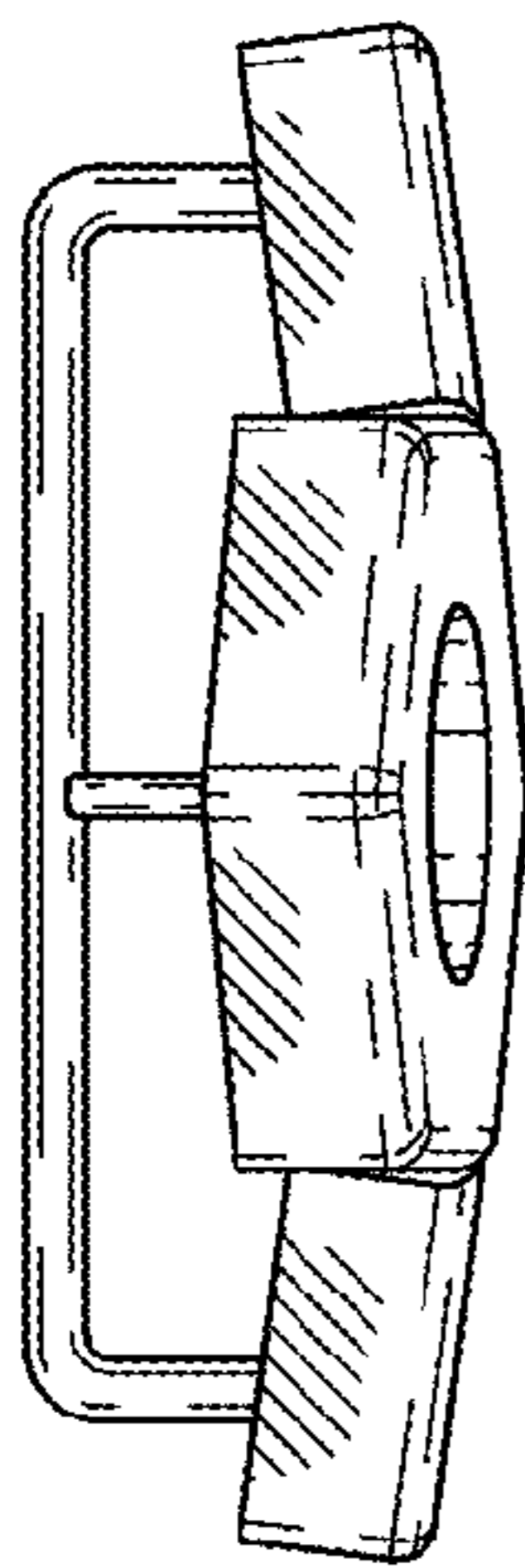


Fig. 3

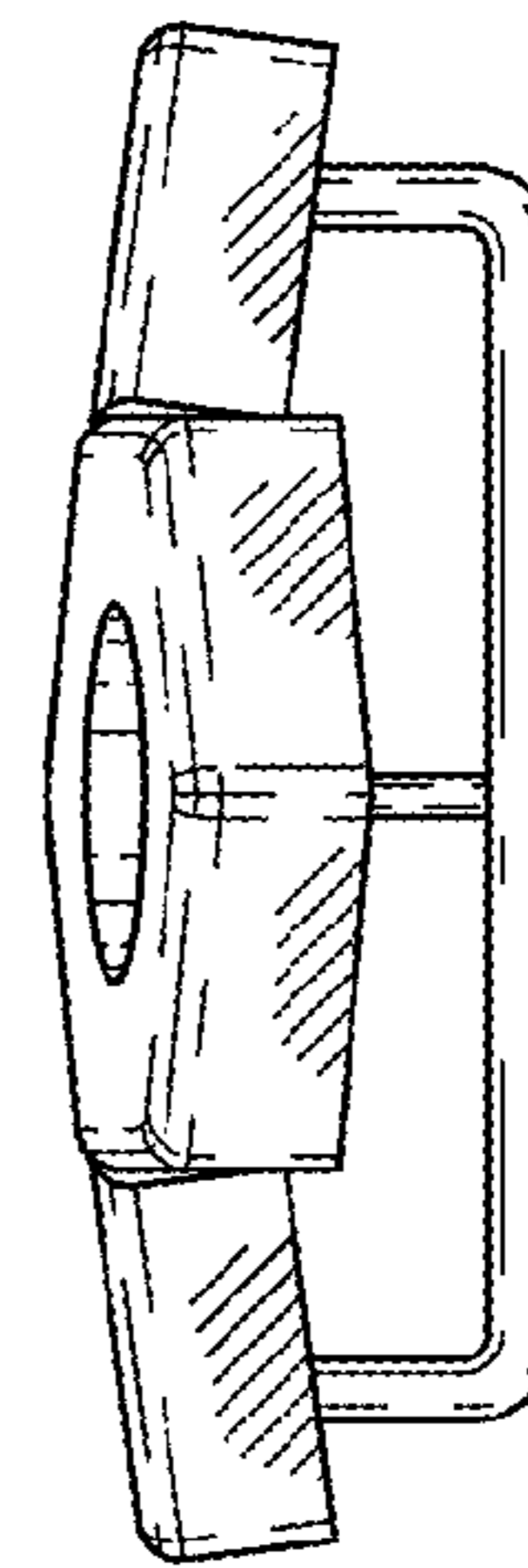


Fig. 4

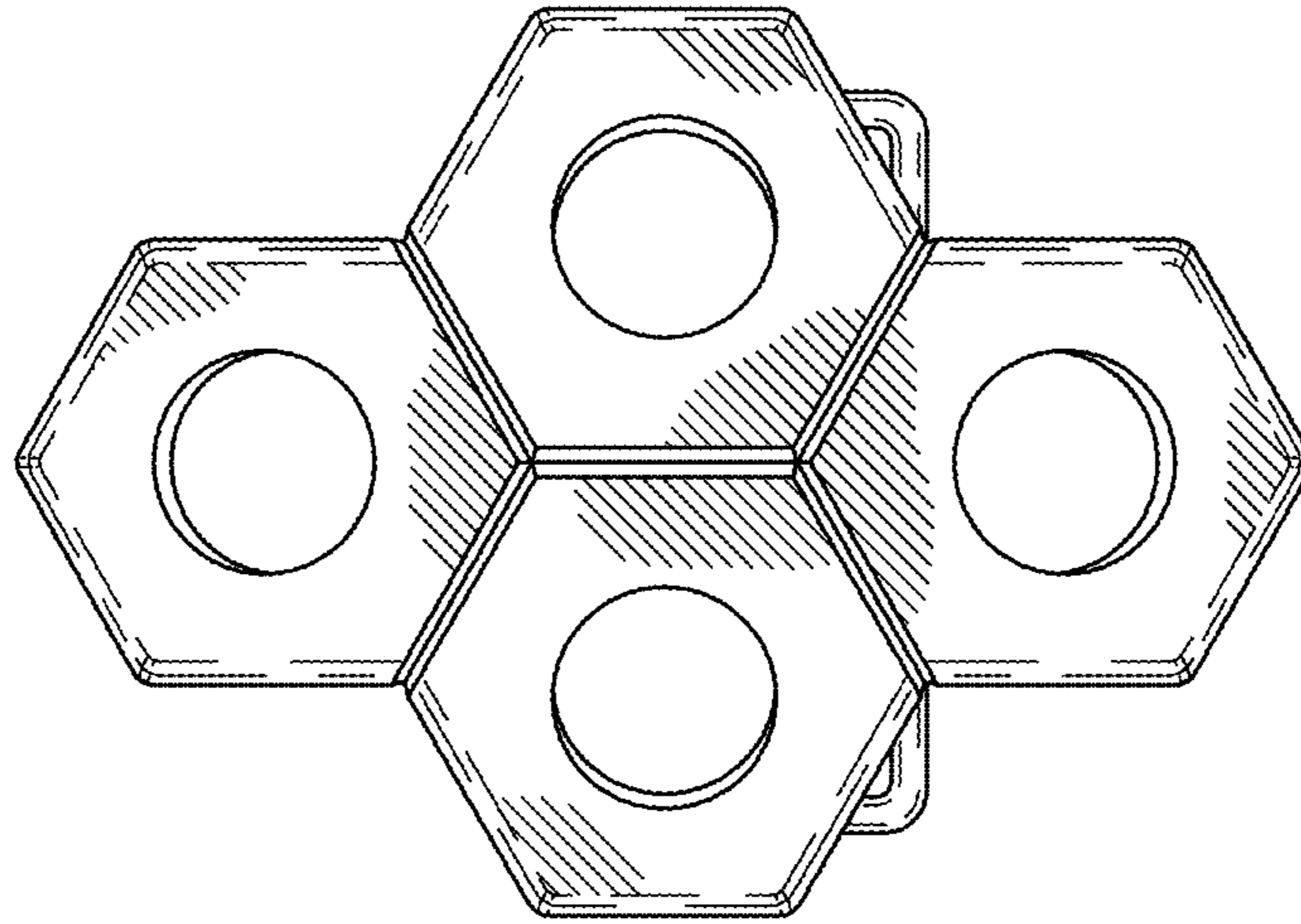


Fig. 5

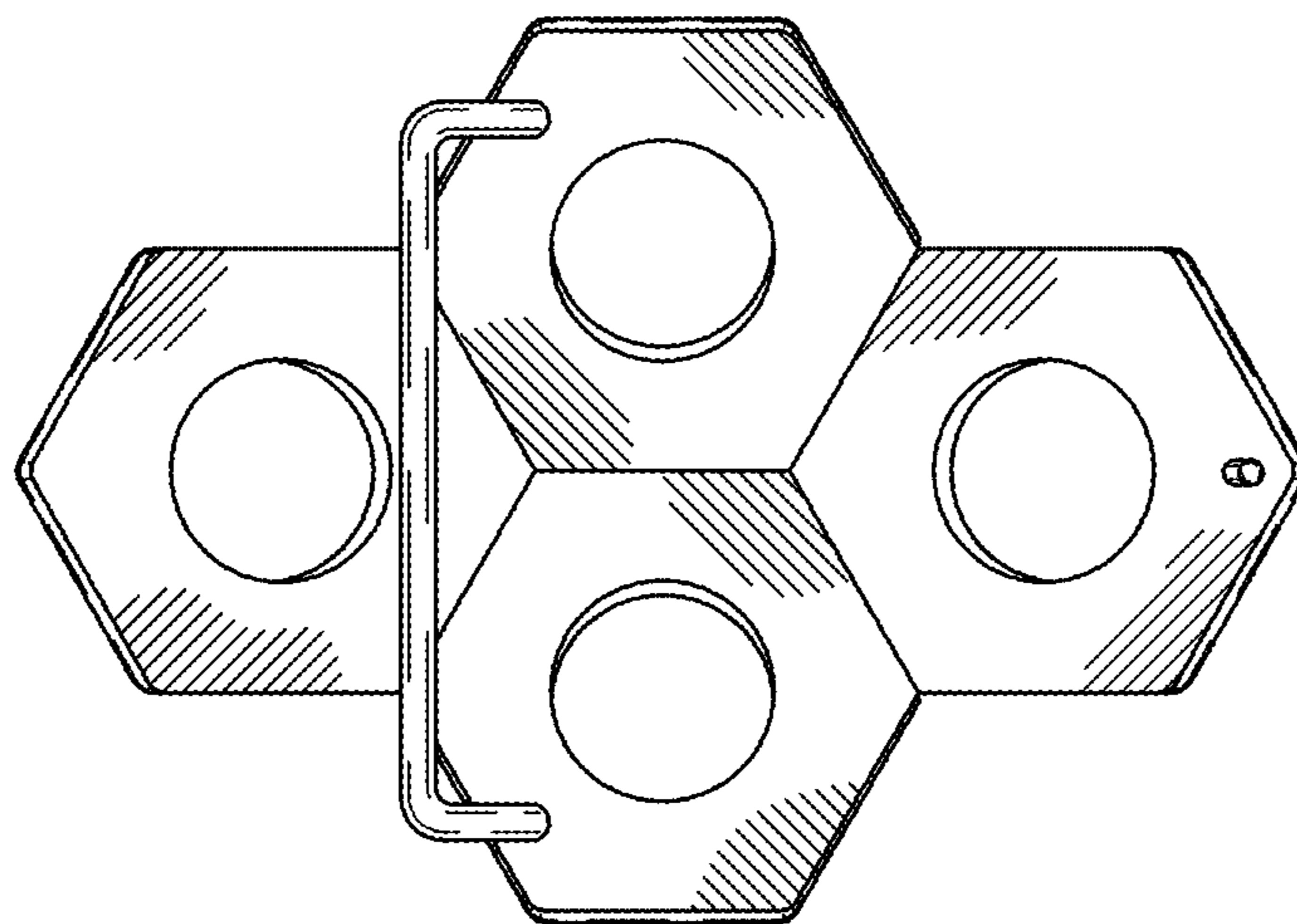


Fig. 6

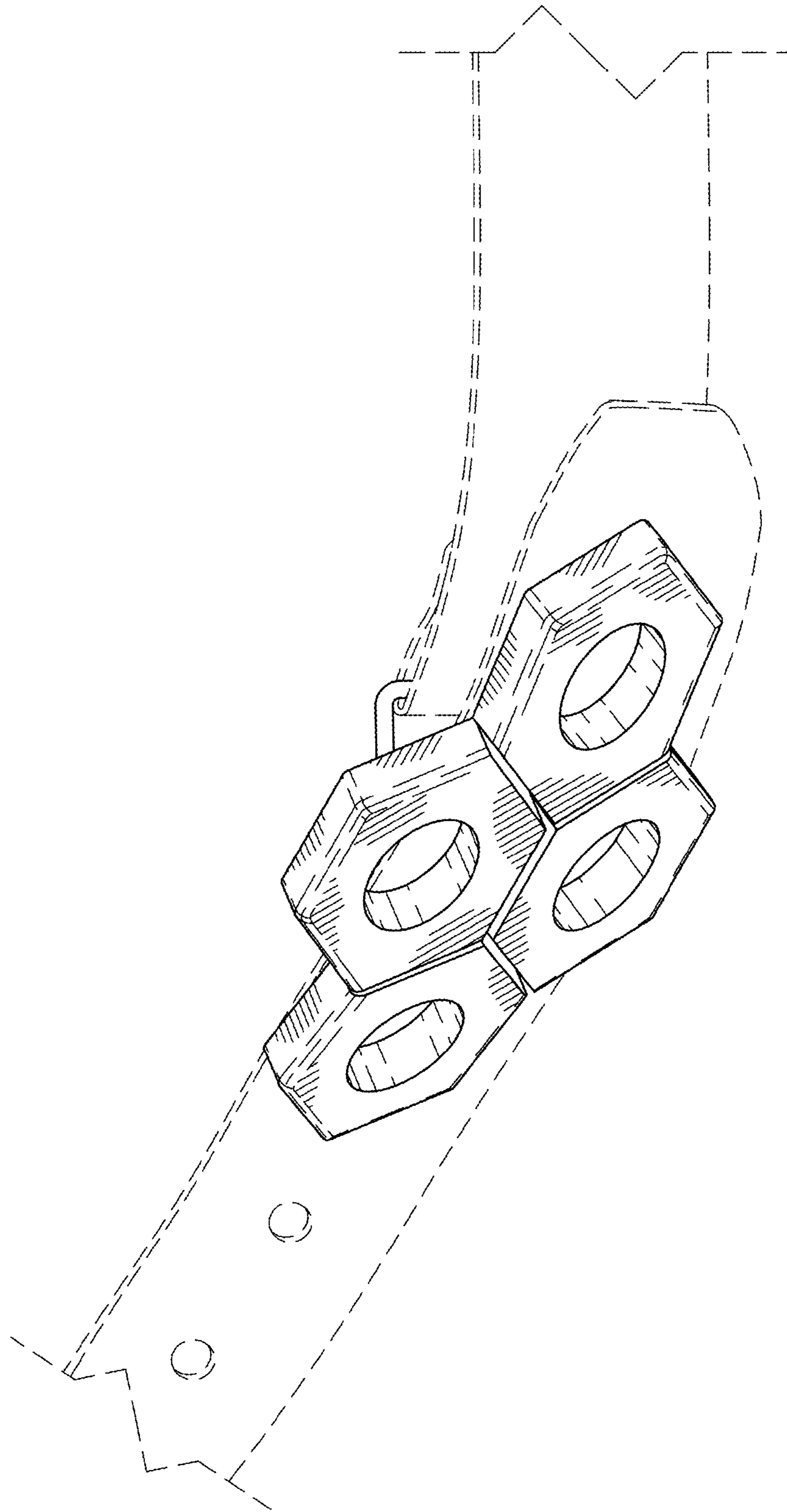


Fig. 7

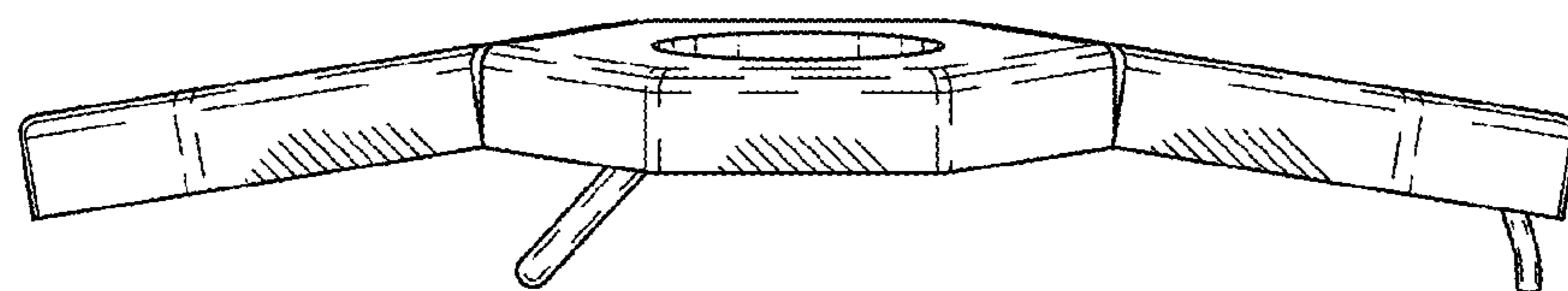


Fig. 8

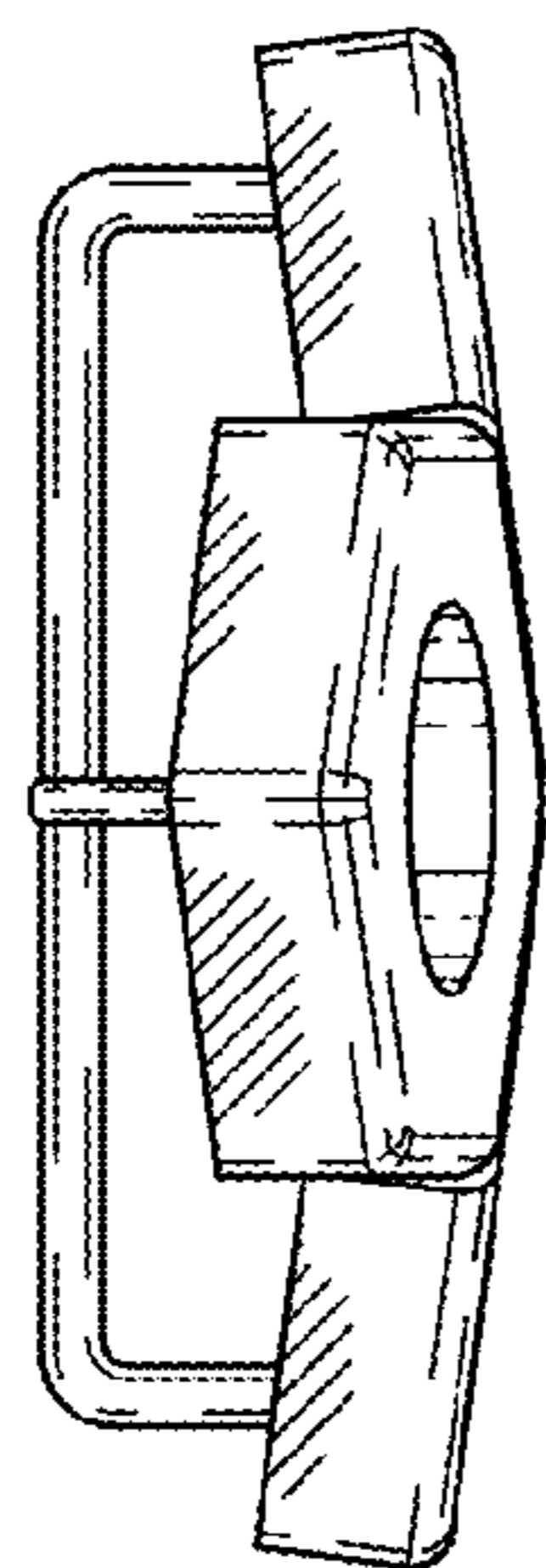


Fig. 9

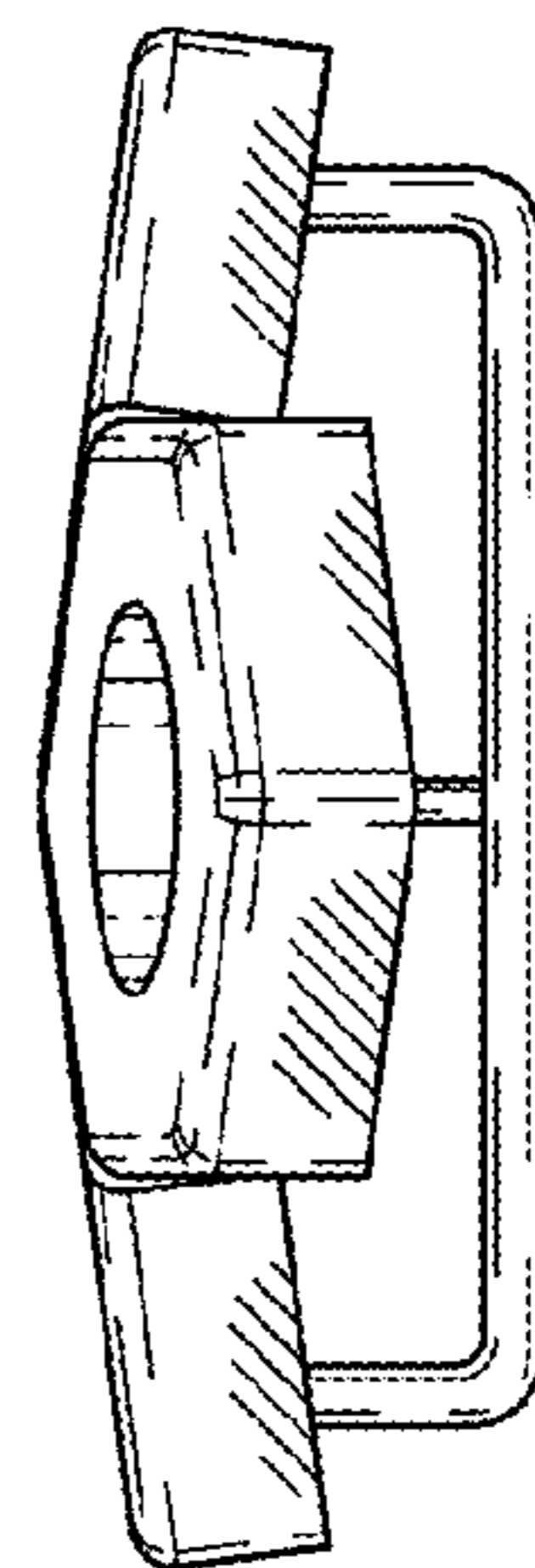


Fig. 10

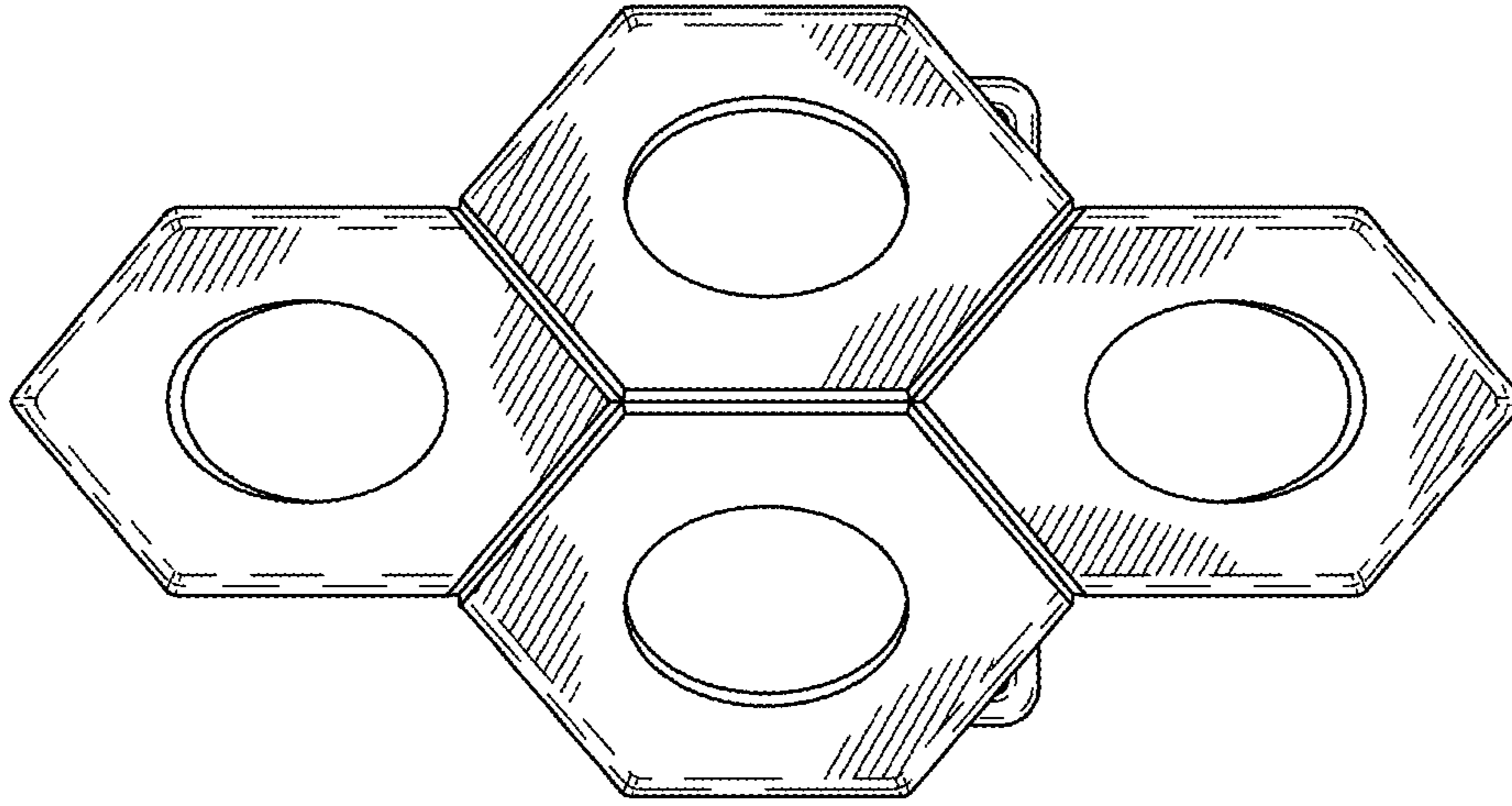


Fig. 11

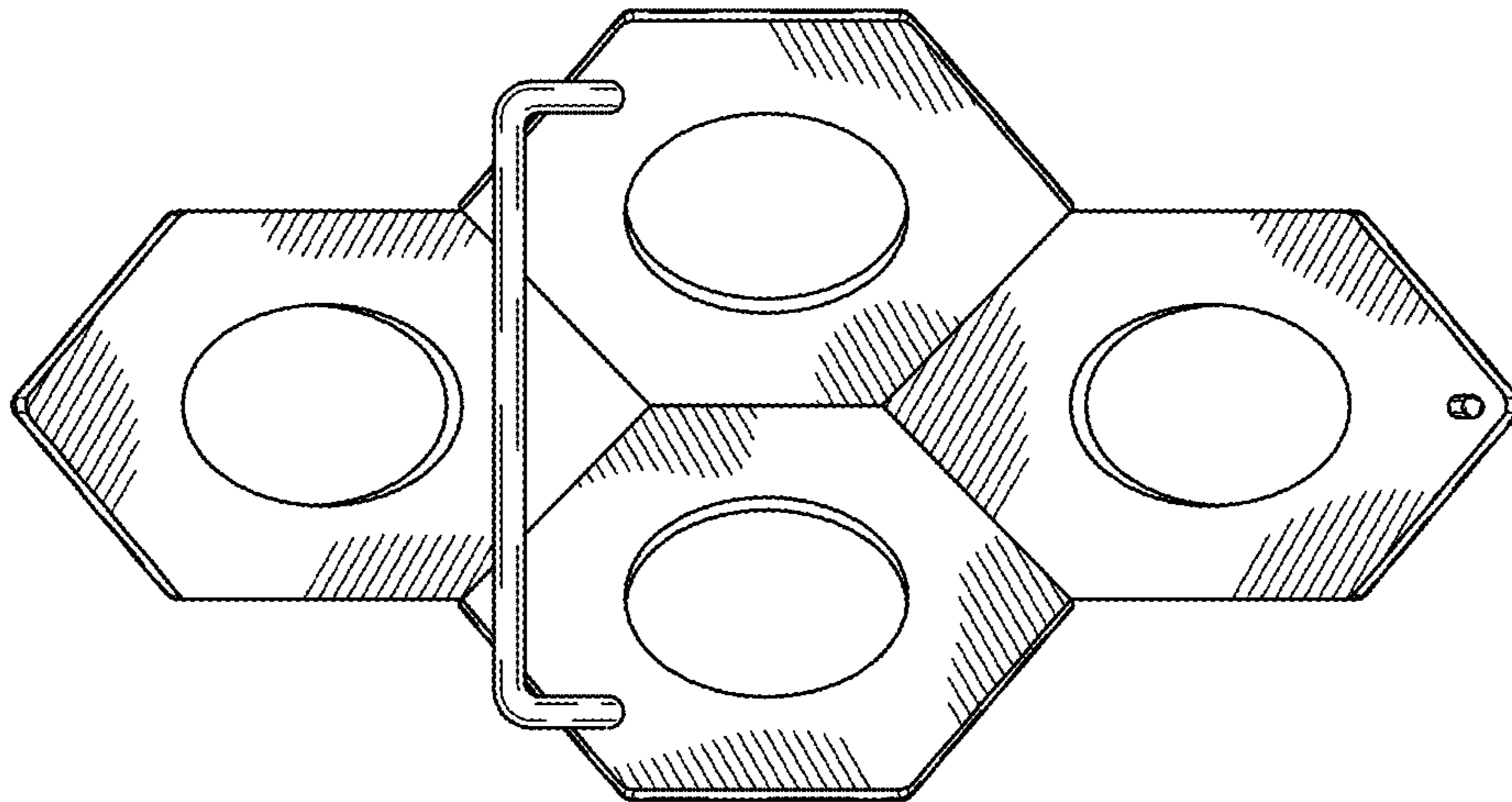


Fig. 12