



US00D688158S

(12) **United States Design Patent**
Kao

(10) **Patent No.:** **US D688,158 S**

(45) **Date of Patent:** **** Aug. 20, 2013**

(54) **BUCKLE**

(75) Inventor: **Tien-Chih Kao**, Taipei (TW)

(73) Assignee: **Duraflex Hong Kong Limited**, Hong Kong (CN)

(**) Term: **14 Years**

(21) Appl. No.: **29/425,277**

(22) Filed: **Jun. 21, 2012**

(51) **LOC (9) Cl.** **02-07**

(52) **U.S. Cl.**
USPC **D11/216**

(58) **Field of Classification Search**
USPC D11/1-2, 200-201, 206-210, 214-218;
24/163 R, 169-171, 173, 177-179, 191,
24/194-195, 197, 200, 614-616, 625, 198
See application file for complete search history.

(56) **References Cited**

U.S. PATENT DOCUMENTS

D646,996 S *	10/2011	Kawaguchi	D11/216
D657,286 S *	4/2012	Lo	D11/216
D668,178 S *	10/2012	Kao	D11/216
8,365,368 B2 *	2/2013	Kaneko et al.	24/625

* cited by examiner

Primary Examiner — Ralf Seifert

(74) *Attorney, Agent, or Firm* — Morris Manning & Martin LLP; Tim Tingkang Xia, Esq.

(57) **CLAIM**

I claim the ornamental design for a buckle, as shown and described.

DESCRIPTION

FIG. 1 is a perspective view of a buckle showing my new design;

FIG. 2 is a front view thereof;

FIG. 3 is a back view thereof;

FIG. 4 is a left view thereof;

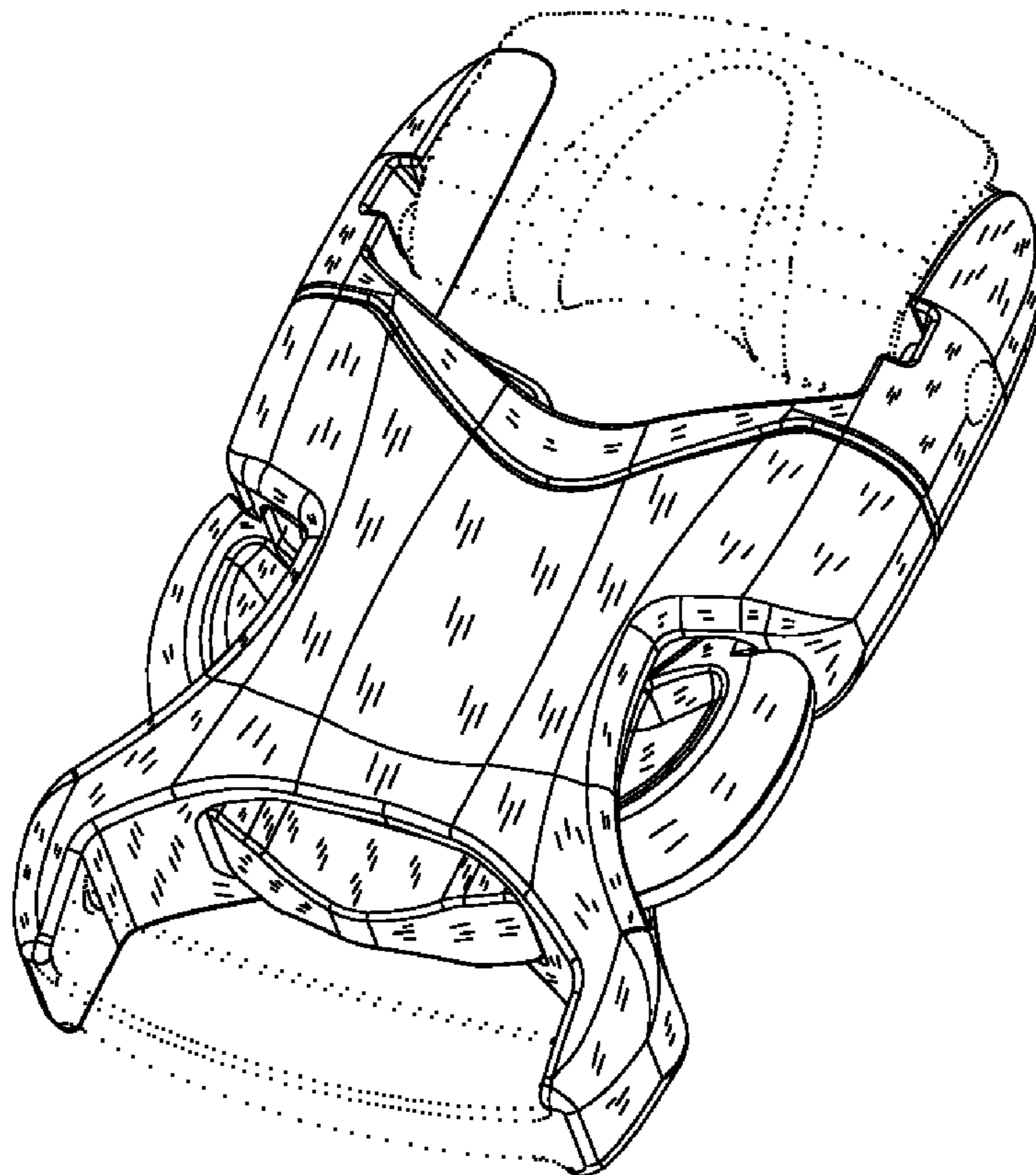
FIG. 5 is a right view thereof;

FIG. 6 is a top view thereof; and,

FIG. 7 is a bottom view thereof.

The broken lines in the drawings are for illustrative purpose only, and form no part of the claimed design.

1 Claim, 3 Drawing Sheets



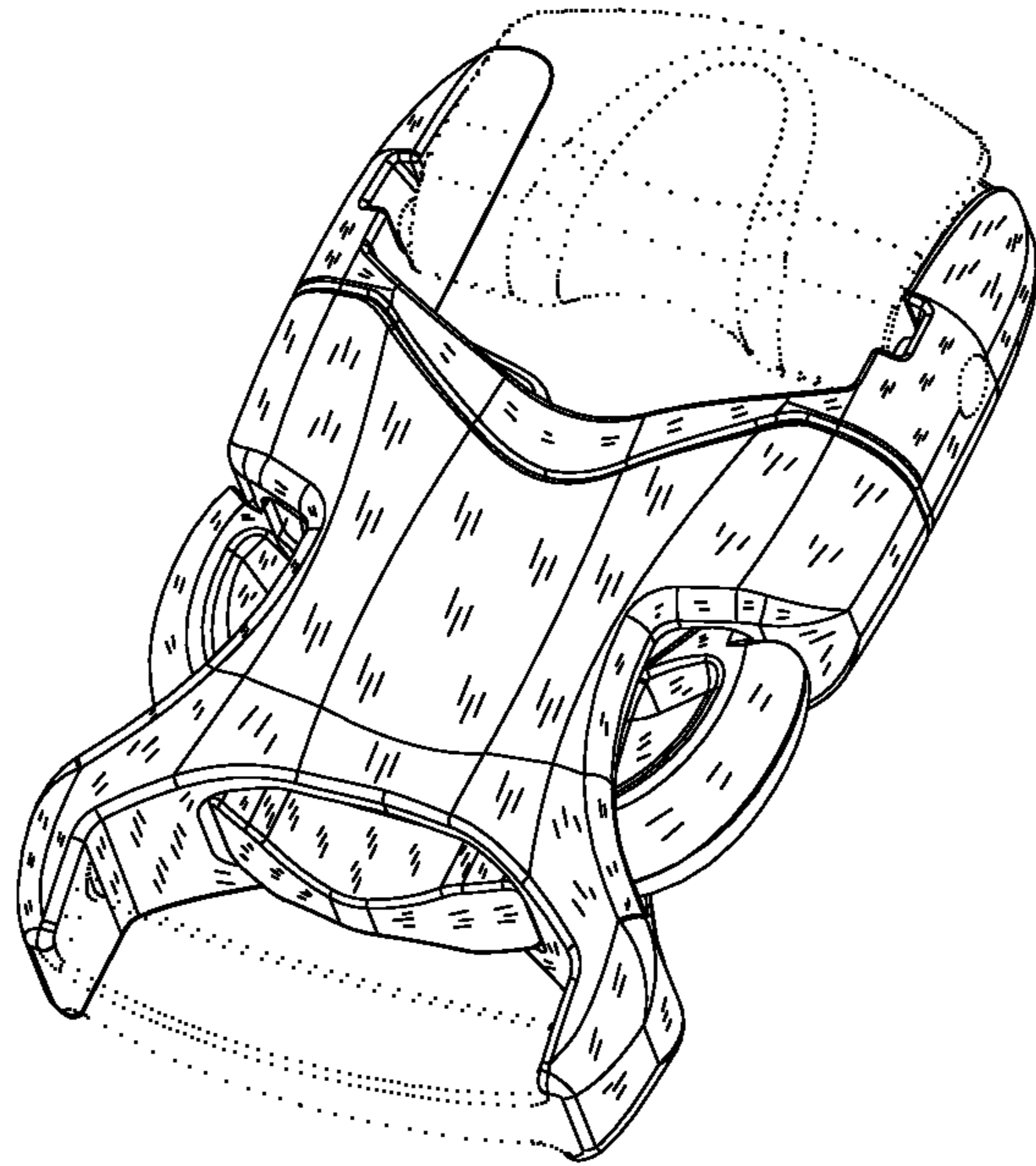


Fig. 1

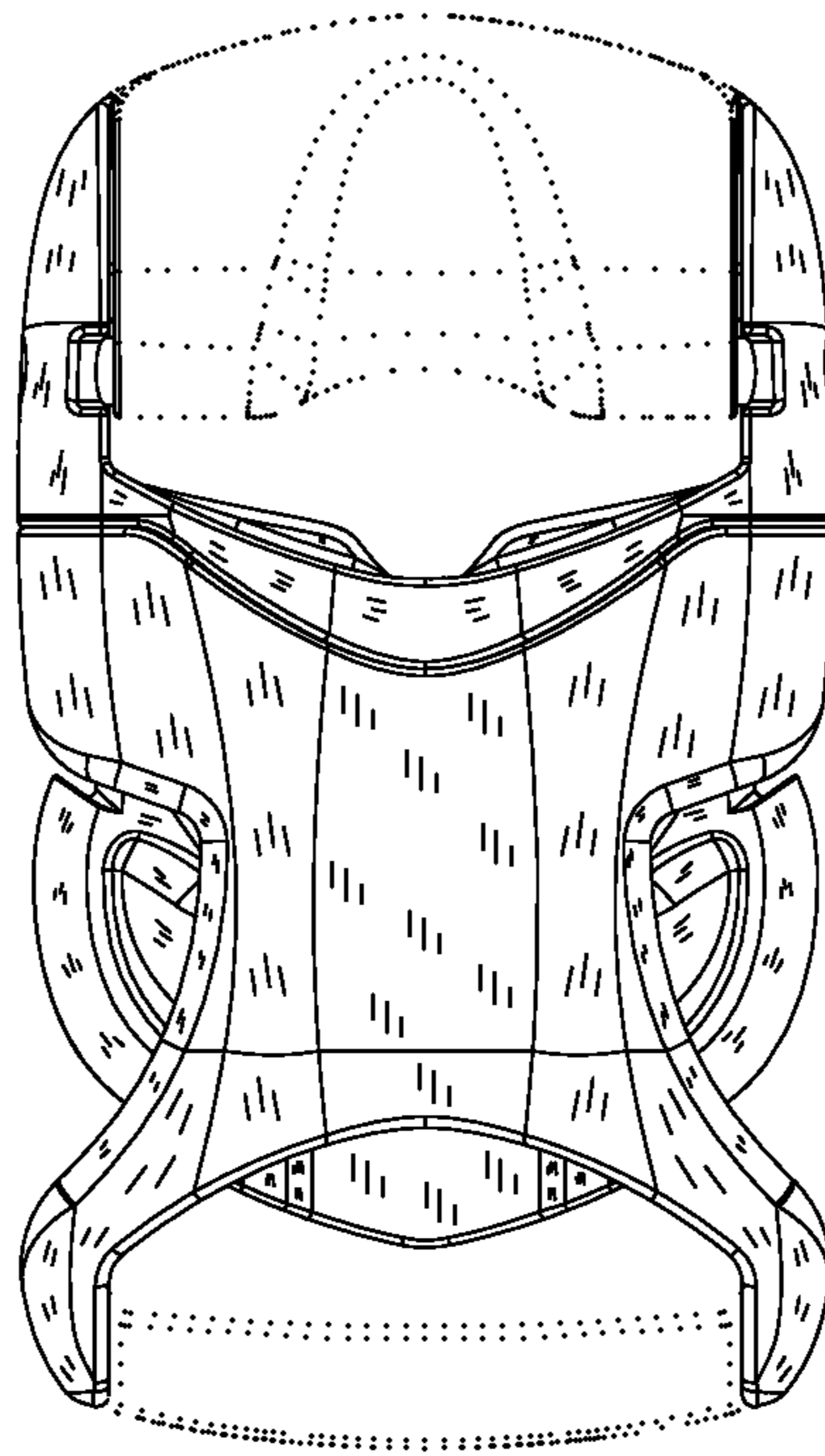


Fig. 2

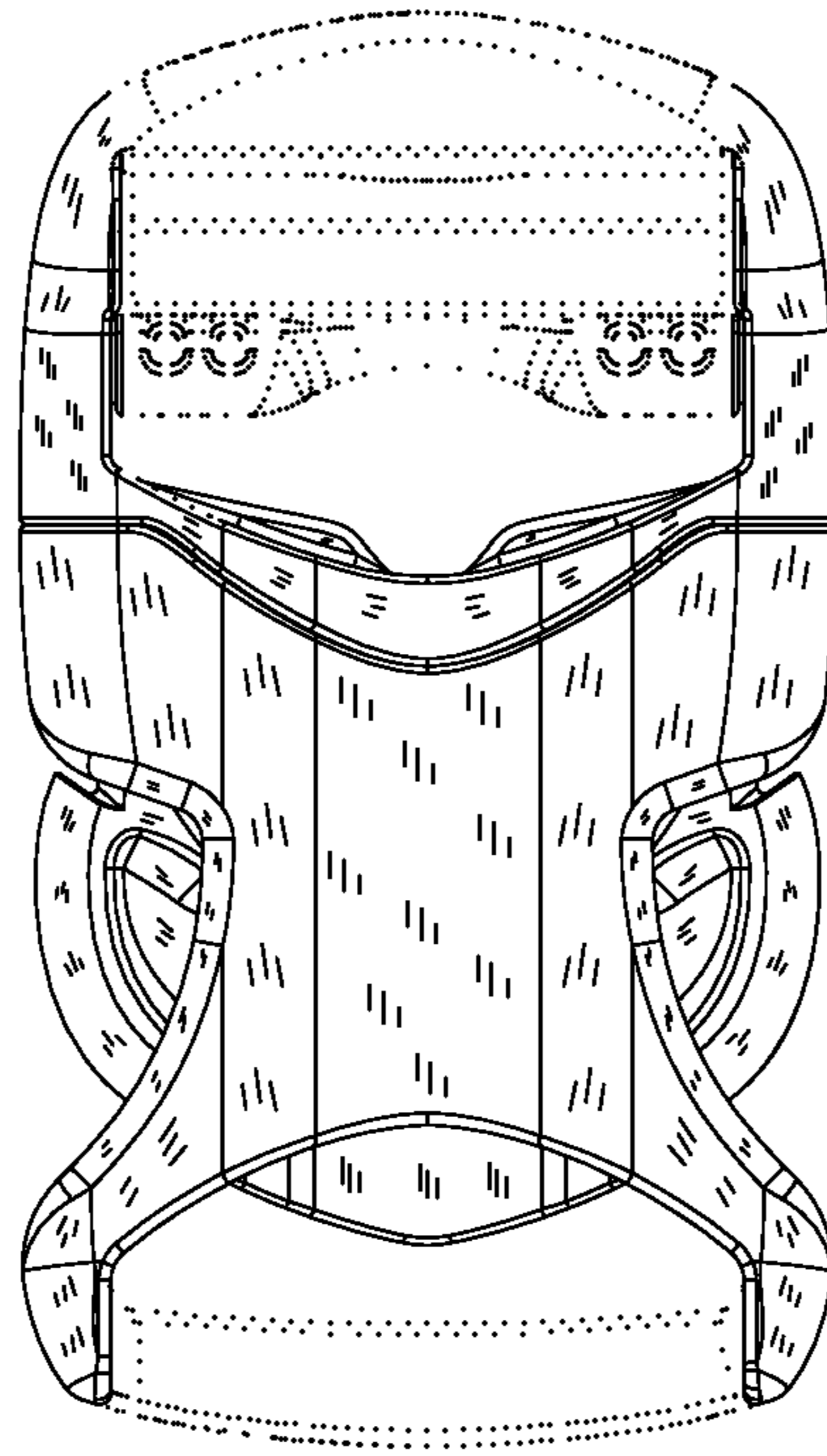


Fig. 3

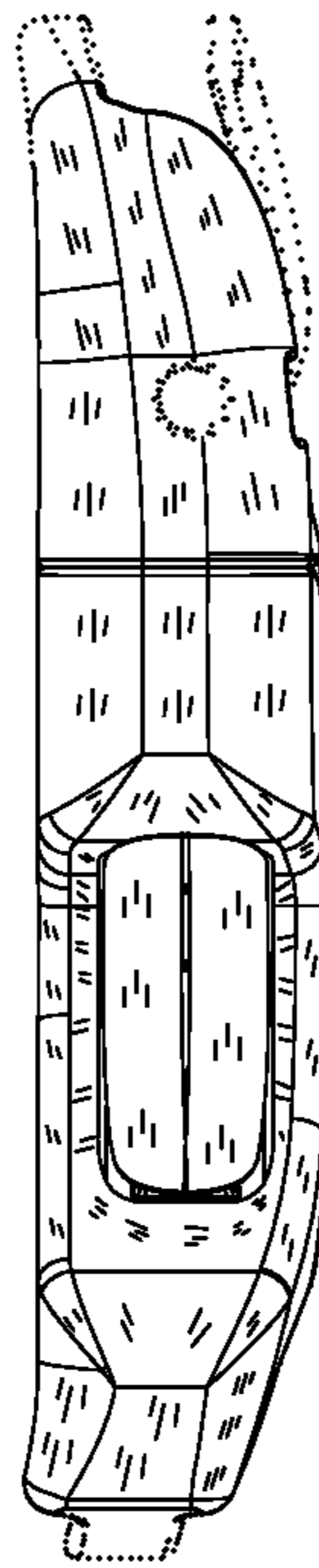


Fig. 4

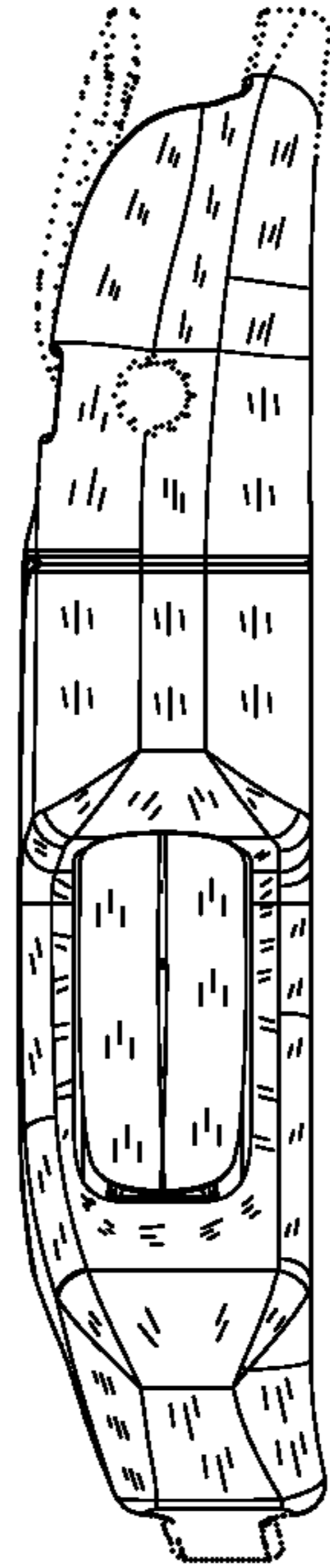


Fig. 5

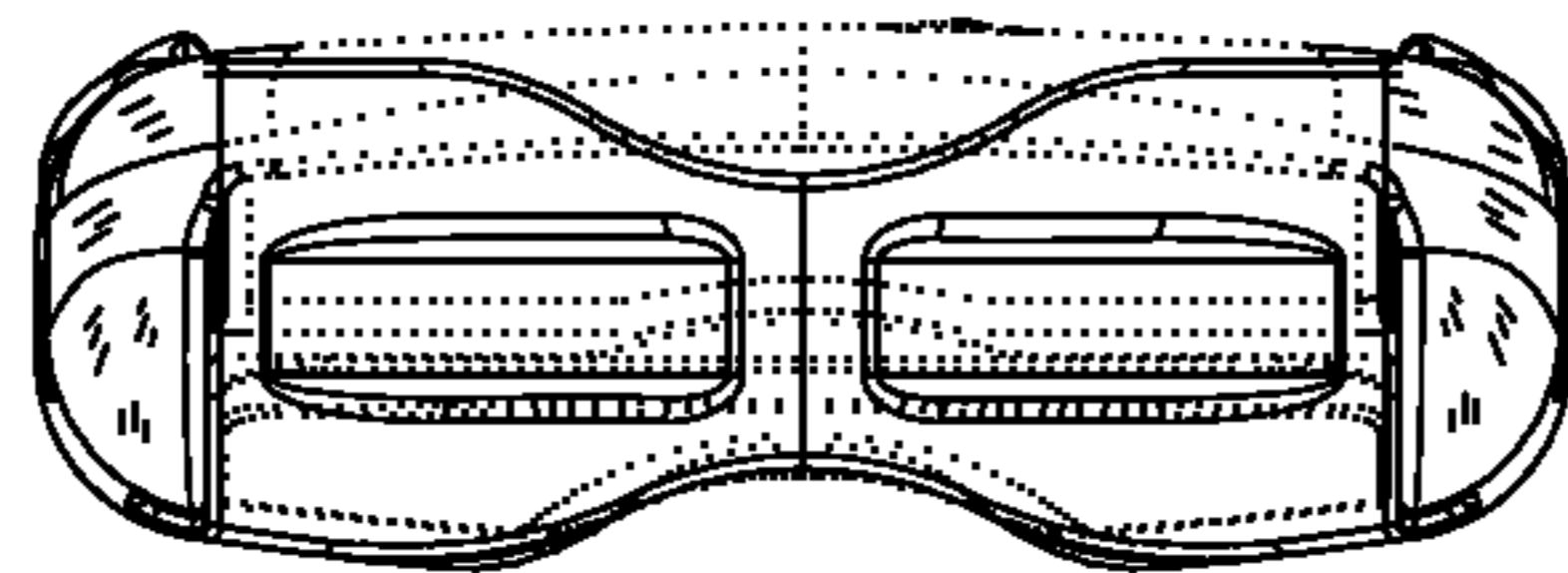


Fig. 6

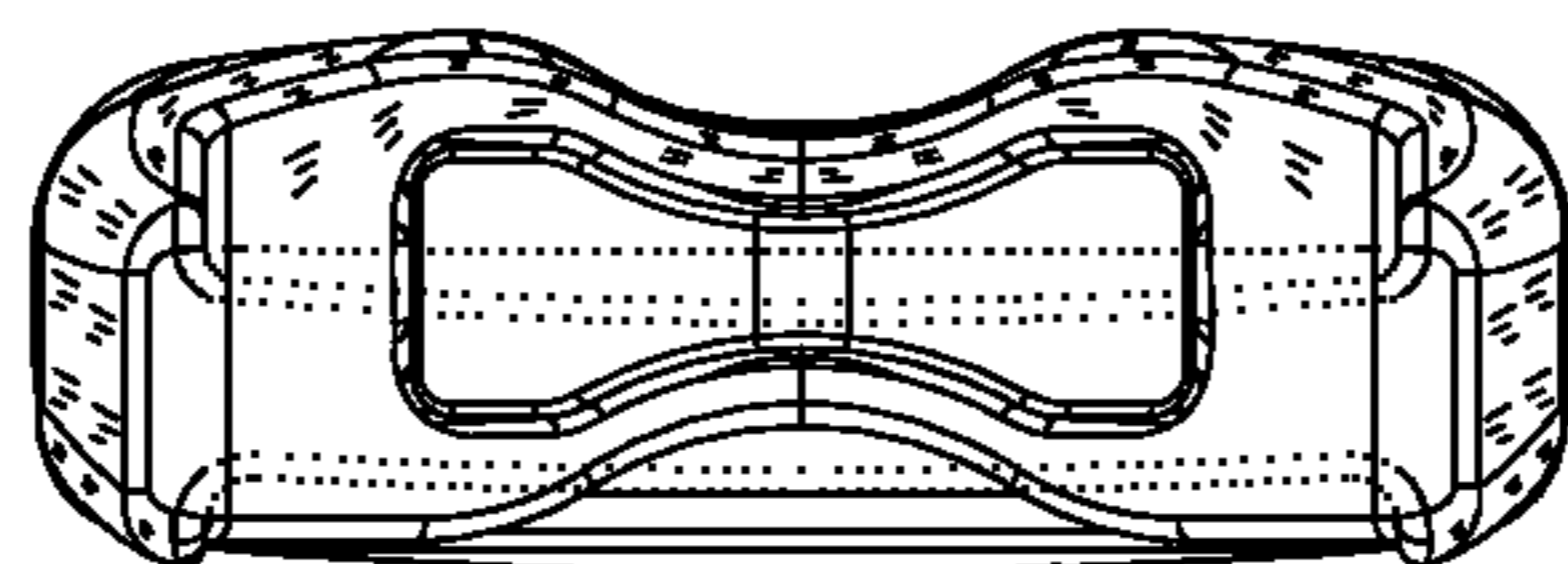


Fig. 7