



US00D688157S

(12) **United States Design Patent**
Kao

(10) **Patent No.:** **US D688,157 S**

(45) **Date of Patent:** **** Aug. 20, 2013**

(54) **FEMALE BUCKLE PORTION**

(75) **Inventor:** **Tien-Chih Kao**, Taipei (TW)

(73) **Assignee:** **Duraflex Hong Kong Limited**, Hong Kong (CN)

(**) **Term:** **14 Years**

(21) **Appl. No.:** **29/425,263**

(22) **Filed:** **Jun. 21, 2012**

(51) **LOC (9) Cl.** **02-07**

(52) **U.S. Cl.**
USPC **D11/216**

(58) **Field of Classification Search**
USPC D11/1-2, 200-201, 206-210, 214-218;
24/163
R, 169-171, 173, 177-179, 191, 194-195,
24/197, 200, 614-616, 625, 198

See application file for complete search history.

(56) **References Cited**

U.S. PATENT DOCUMENTS

| | | | | | | |
|-----------|----|---|---------|---------------|-------|---------|
| D646,996 | S | * | 10/2011 | Kawaguchi | | D11/216 |
| D657,286 | S | * | 4/2012 | Lo | | D11/216 |
| D668,178 | S | * | 10/2012 | Kao | | D11/216 |
| 8,365,368 | B2 | * | 2/2013 | Kaneko et al. | | 24/625 |

* cited by examiner

Primary Examiner — Ralf Seifert

(74) *Attorney, Agent, or Firm* — Morris Manning & Martin LLP; Tim Tingkang Xia, Esq.

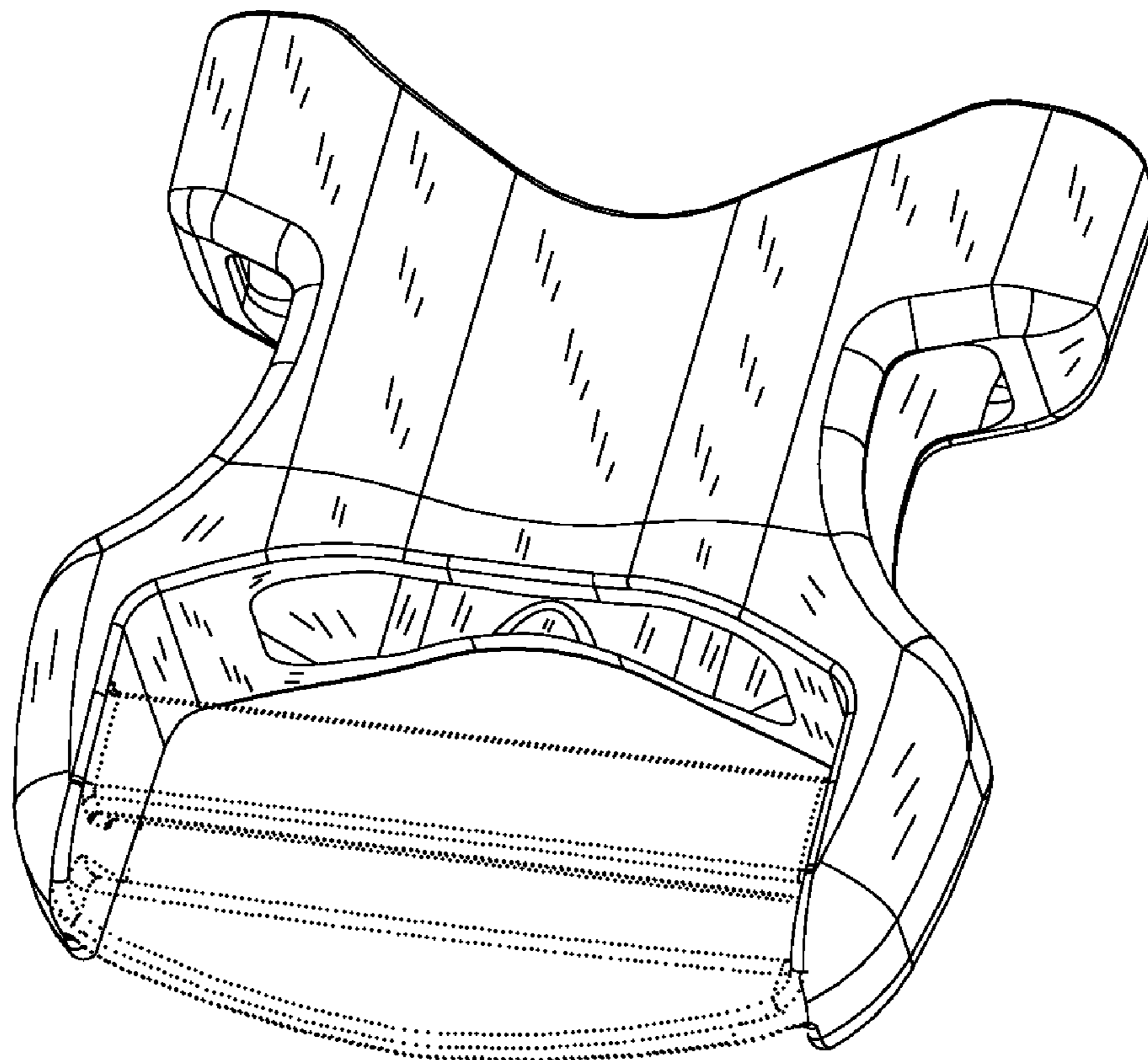
(57) **CLAIM**

The ornamental design for a female buckle portion, as shown and described.

DESCRIPTION

FIG. 1 is a perspective view of a female buckle portion showing my new design;
FIG. 2 is a front view thereof;
FIG. 3 is a back view thereof;
FIG. 4 is a left view thereof;
FIG. 5 is a right view thereof;
FIG. 6 is a top view thereof; and,
FIG. 7 is a bottom view thereof.
The broken lines in the drawings are for illustrative purpose only, and form no part of the claimed design.

1 Claim, 3 Drawing Sheets



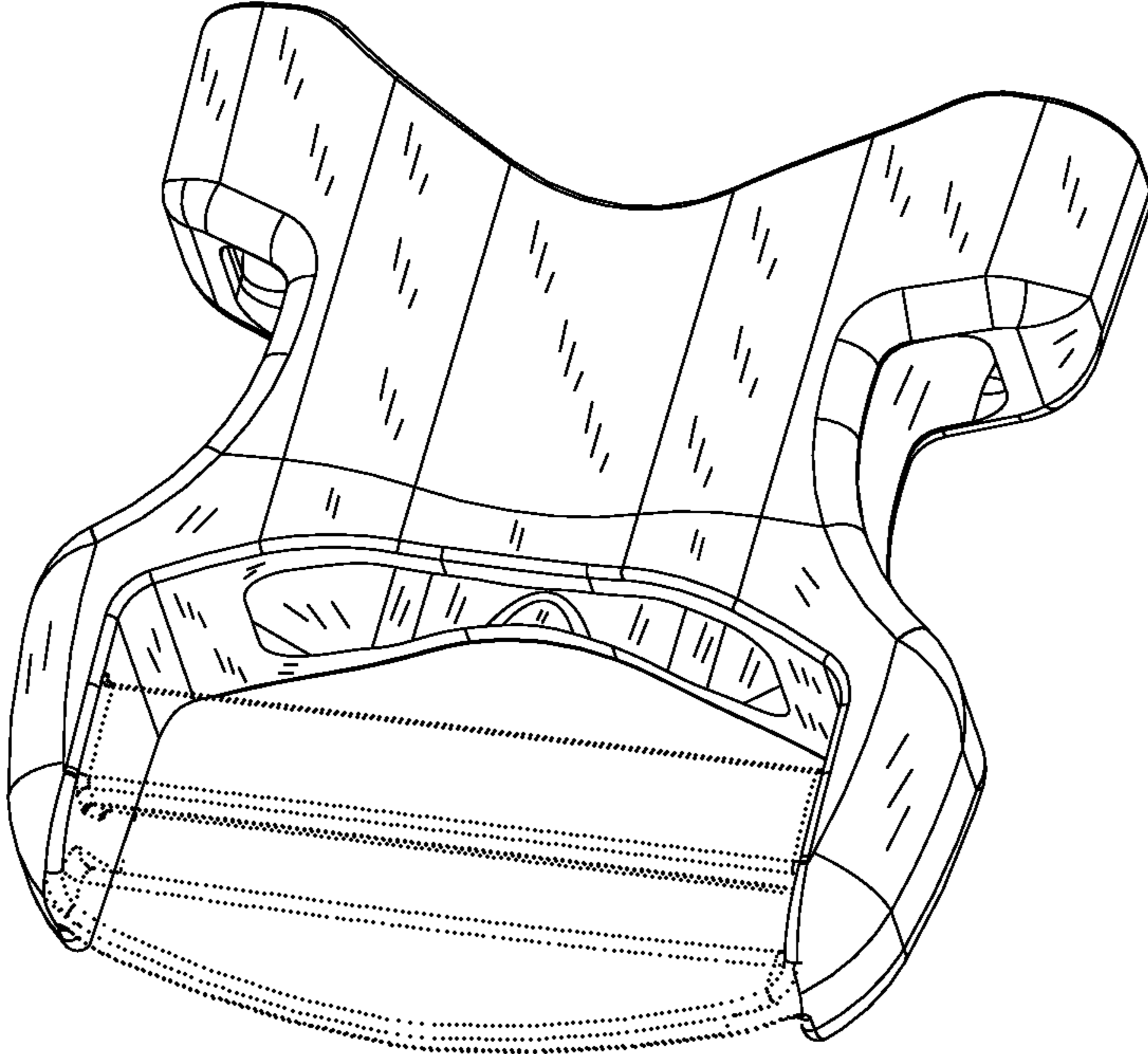


Fig. 1

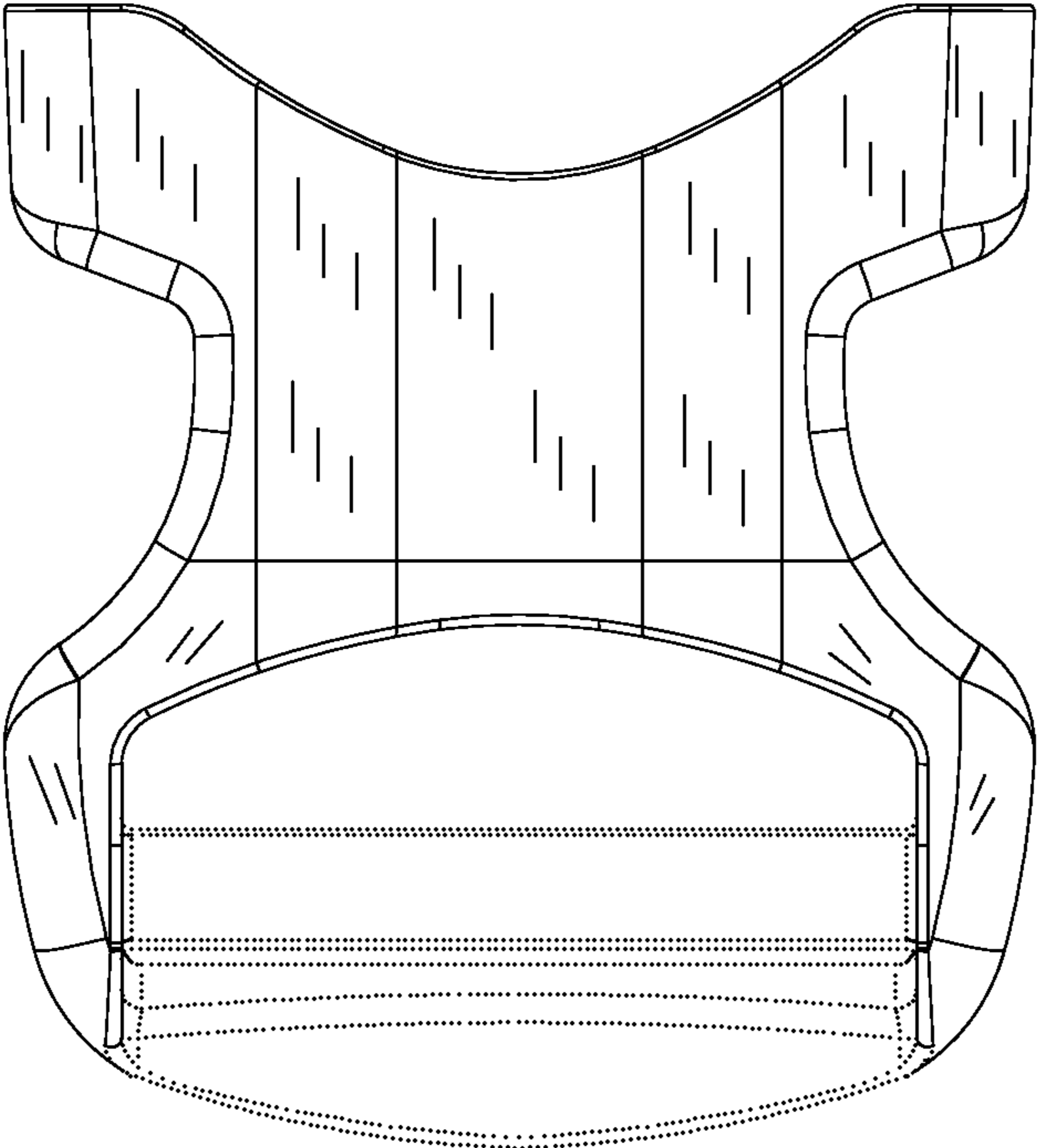


Fig. 2

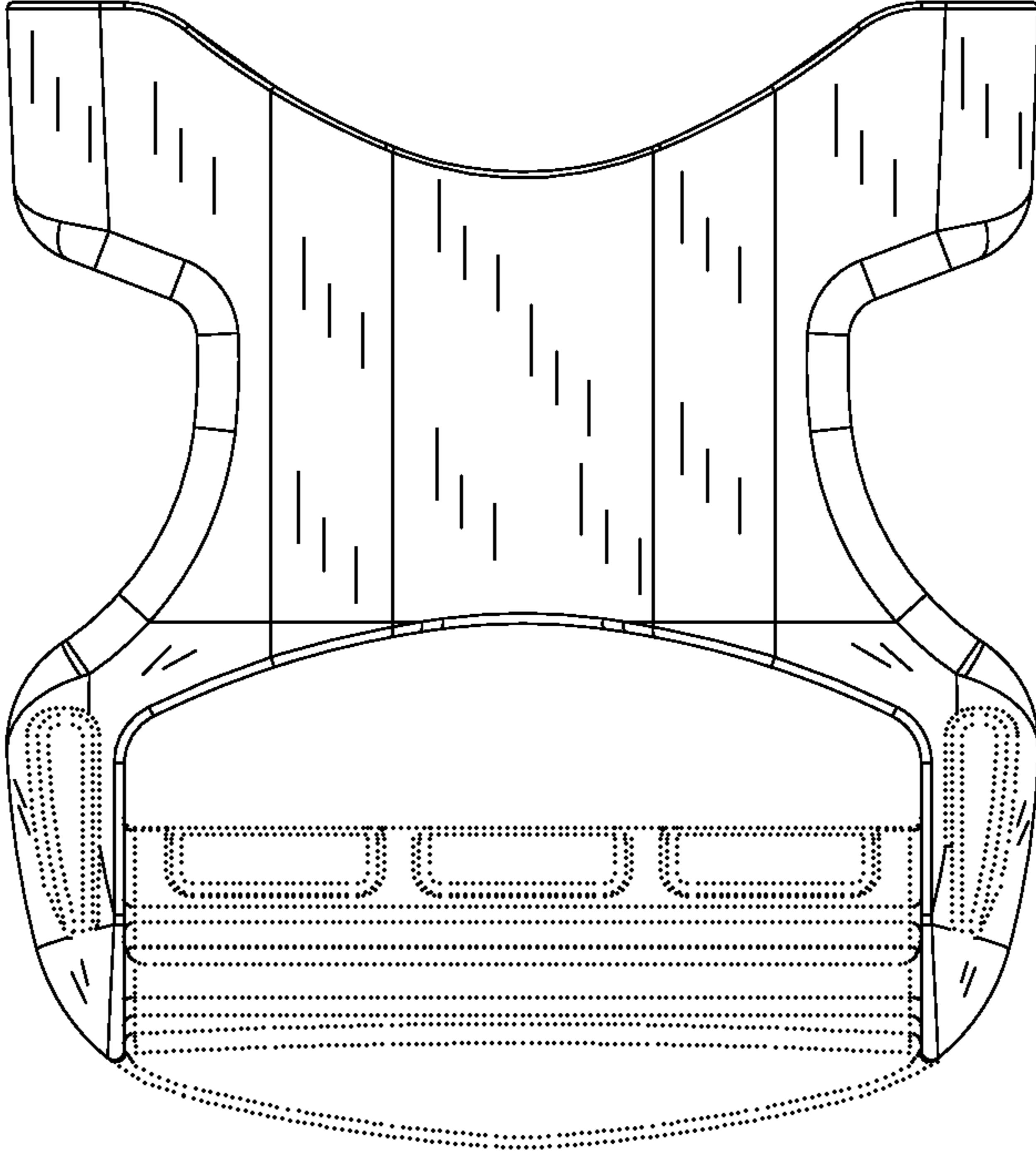


Fig. 3

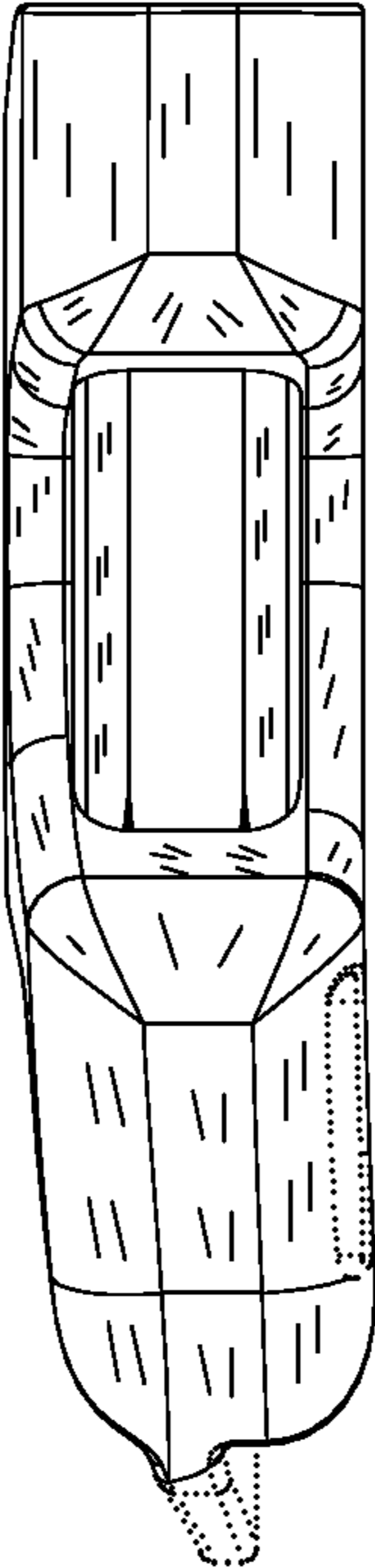


Fig. 4

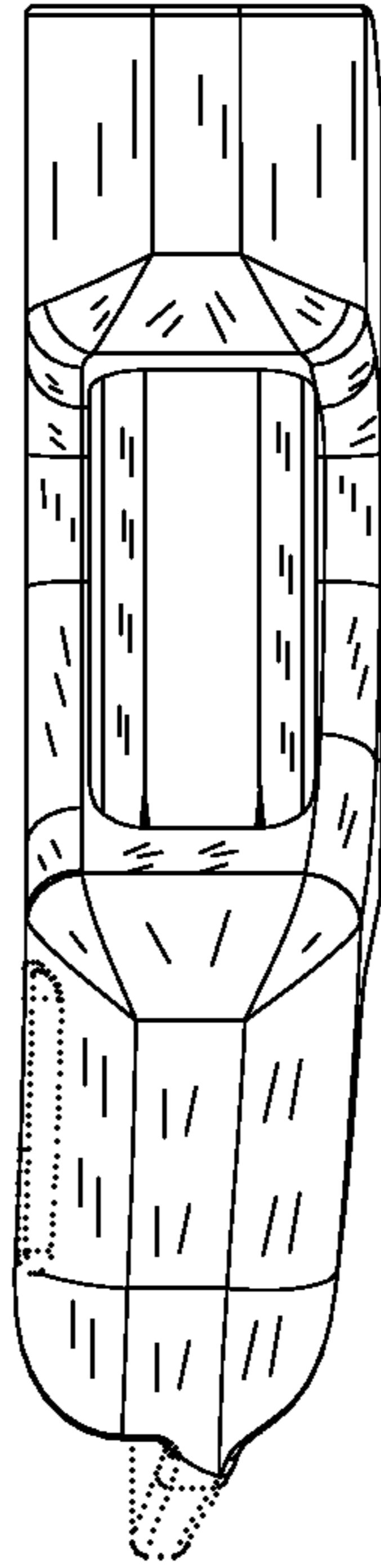


Fig. 5

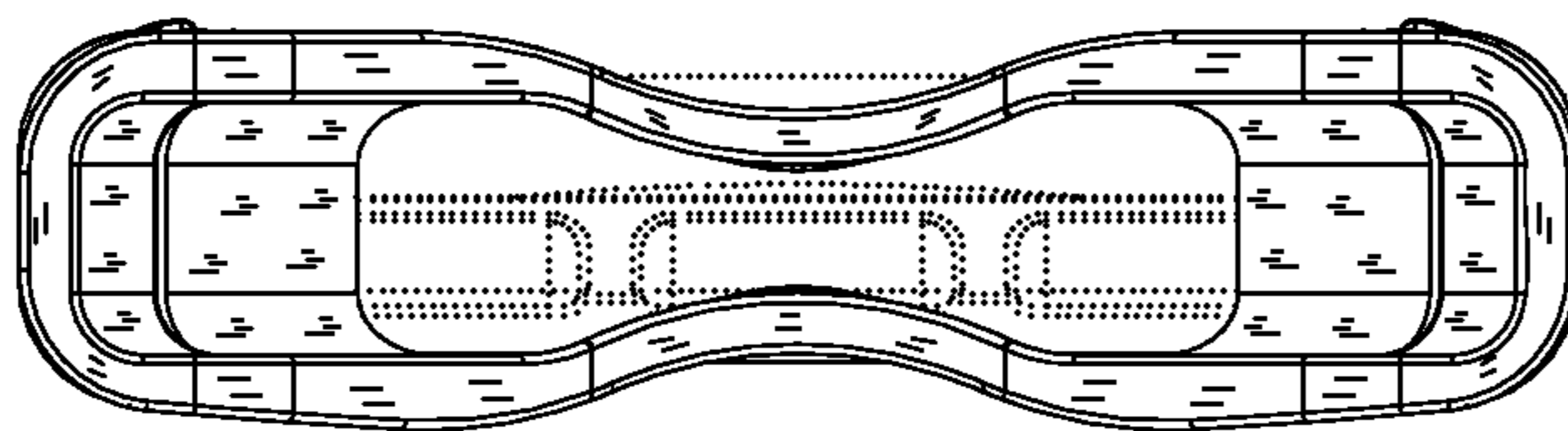


Fig. 6

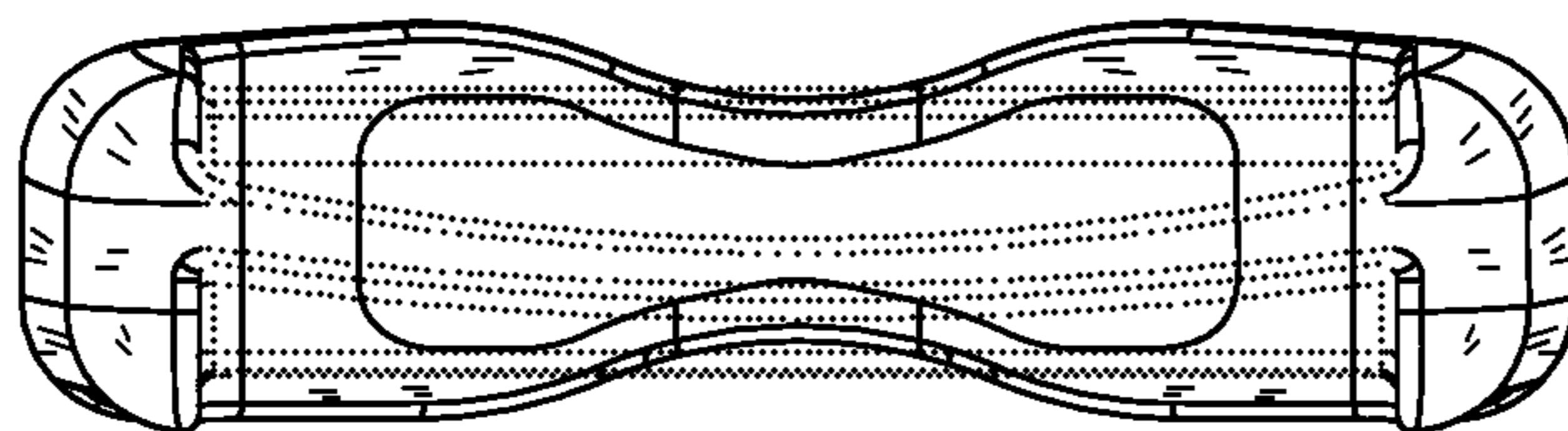


Fig. 7