



US00D688156S

(12) **United States Design Patent**
Baca et al.

(10) **Patent No.:** **US D688,156 S**
(45) **Date of Patent:** **** Aug. 20, 2013**

(54) **CONNECTOR FOR A SEATBELT AIRBAG**
(75) Inventors: **André Baca**, Laveen, AZ (US); **Ronald A. Shields**, Mesa, AZ (US); **Greg Vargas**, Litchfield Park, AZ (US)
(73) Assignee: **AmSafe, Inc.**, Phoenix, AZ (US)
(**) Term: **14 Years**

6,019,388 A 2/2000 Okazaki et al.
6,082,763 A 7/2000 Kokeguchi et al.
6,126,194 A 10/2000 Yaniv et al.
6,142,511 A 11/2000 Lewis
6,168,195 B1 1/2001 Okazaki et al.
6,224,097 B1 5/2001 Lewis
6,276,714 B1 8/2001 Yoshioka
6,293,582 B1 9/2001 Lewis
6,325,412 B1 12/2001 Pan
6,336,657 B1 1/2002 Akaba et al.

(Continued)

(21) Appl. No.: **29/392,028**

(22) Filed: **May 16, 2011**

(51) **LOC (9) Cl.** **02-07**

(52) **U.S. Cl.**
USPC **D11/200**

(58) **Field of Classification Search**
USPC D11/1-2, 200-201, 203-206, 210, D11/212, 214-219, 222, 224, 226; 24/163 R, 24/169-171, 173, 177-179, 191, 194-195, 24/197, 200, 579.11; 280/80.1; 297/468; D2/624, 627

See application file for complete search history.

(56) **References Cited**

U.S. PATENT DOCUMENTS

3,682,498 A 8/1972 Rutzki
3,801,156 A 4/1974 Granig
3,841,654 A 10/1974 Lewis
3,905,615 A 9/1975 Schulman
3,933,370 A 1/1976 Abe et al.
3,970,329 A 7/1976 Lewis
5,062,662 A 11/1991 Cameron
5,288,104 A 2/1994 Chen
5,465,999 A 11/1995 Tanaka et al.
5,597,178 A 1/1997 Hardin, Jr.
5,839,753 A 11/1998 Yaniv et al.
5,851,055 A 12/1998 Lewis
5,871,230 A 2/1999 Lewis
5,984,350 A 11/1999 Hagan et al.
5,988,438 A 11/1999 Lewis et al.

FOREIGN PATENT DOCUMENTS

GB 2368050 4/2002
WO WO-0168413 9/2001
WO WO-2013019248 2/2013

OTHER PUBLICATIONS

“Takata Melds Air Bag with Seat Belt,” The Japan Times, Nov. 27, 2010, 7 pages.

Primary Examiner — Ralf Seifert

(74) *Attorney, Agent, or Firm* — Perkins Coie LLP

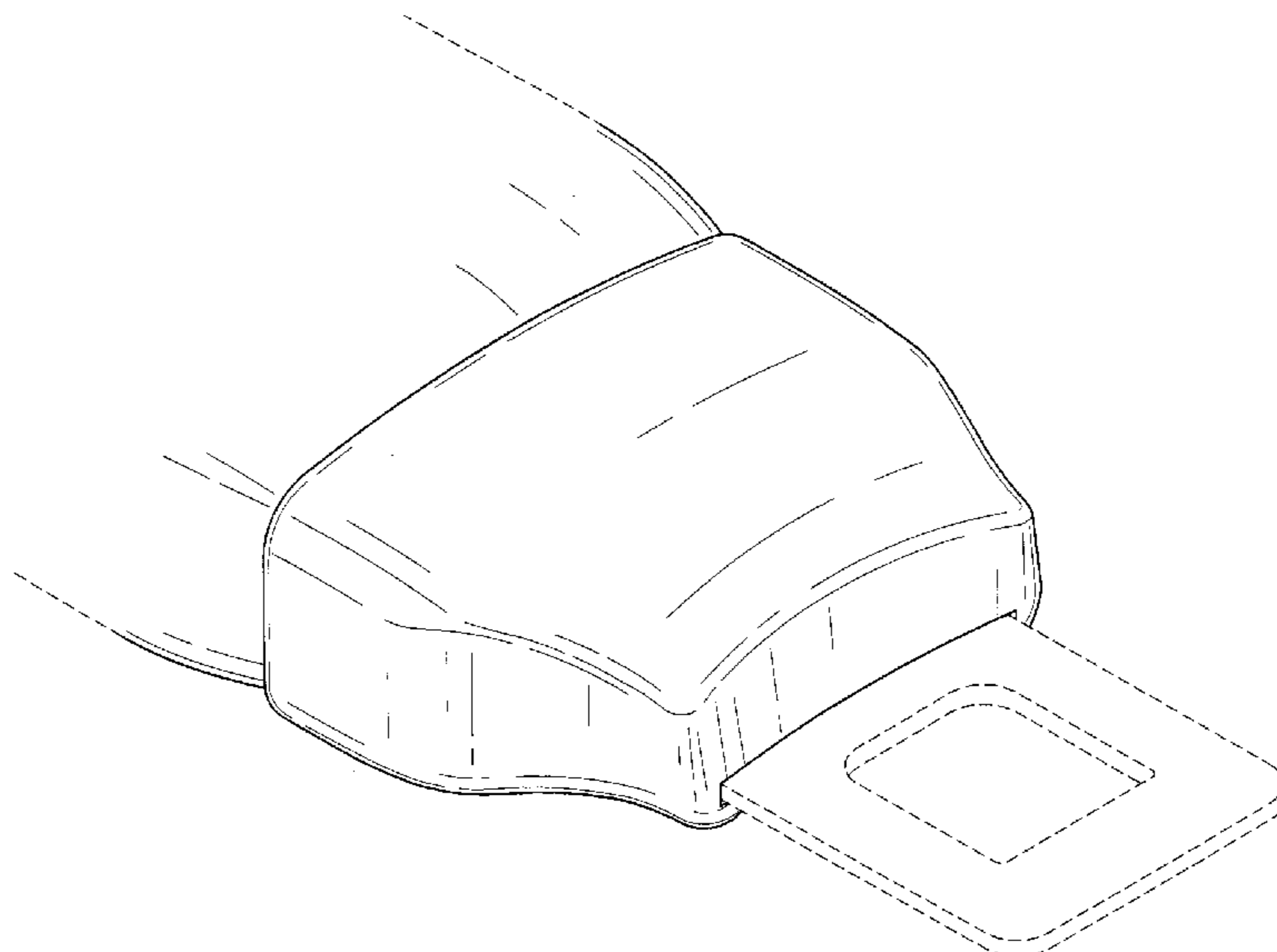
(57) **CLAIM**

The ornamental design for the connector for a seatbelt airbag, as shown and described.

DESCRIPTION

FIG. 1 is an isometric view of an embodiment of a connector for a seatbelt airbag showing our design.
FIG. 2 is a front view thereof.
FIG. 3 is a back view thereof.
FIG. 4 is a left side elevation view thereof.
FIG. 5 is a right side elevation view thereof.
FIG. 6 is a top plan view thereof; and,
FIG. 7 is a bottom plan view thereof.
Elements identified in broken lines in the accompanying drawings form no part of the claimed invention.

1 Claim, 3 Drawing Sheets



(56)

References Cited

U.S. PATENT DOCUMENTS

6,378,898	B1	4/2002	Lewis et al.				
6,406,058	B1	6/2002	Devonport et al.				
6,419,263	B1	7/2002	Busgen et al.				
6,547,273	B2	4/2003	Grace et al.				
6,585,289	B1	7/2003	Hammer et al.				
6,705,641	B2	3/2004	Schneider et al.				
6,837,079	B1	1/2005	Takeuchi				
6,905,134	B2	6/2005	Saiguchi et al.				
6,951,350	B2	10/2005	Heidorn et al.				
6,957,828	B2	10/2005	Keeslar et al.				
7,121,628	B2	10/2006	Lo				
7,318,599	B2	1/2008	Magdun				
D575,669	S *	8/2008	David et al.	D11/200		
7,506,891	B2	3/2009	Quioc et al.				
7,513,524	B2	4/2009	Oota et al.				
D603,752	S *	11/2009	David	D11/216		
D607,774	S *	1/2010	David	D11/216		
7,661,697	B2	2/2010	Itoga				
7,665,761	B1	2/2010	Green et al.				
D611,385	S *	3/2010	Yair	D11/216		
D611,386	S *	3/2010	David	D11/216		
D616,330	S *	5/2010	David	D11/200		
7,708,312	B2	5/2010	Kalandek				
D618,136	S *	6/2010	Ward	D11/200		
D630,970	S *	1/2011	McNaughton	D11/200		
7,883,106	B2	2/2011	Mical				
7,980,590	B2	7/2011	Foubert et al.				
D667,339	S *	9/2012	Bailey et al.	D11/216		
2002/0011723	A1	1/2002	Lewis				
2002/0067031	A1	6/2002	Busgen et al.				
2002/0125700	A1	9/2002	Adkisson				
2002/0125701	A1	9/2002	Devonport				
2004/0164532	A1	8/2004	Heidorn et al.				
2007/0001435	A1	1/2007	Gray et al.				
2007/0013175	A1	1/2007	Suyama et al.				
2007/0080528	A1	4/2007	Itoga et al.				
2009/0051150	A1	2/2009	Murakami				
2009/0236828	A1	9/2009	Foubert et al.				
2010/0115737	A1	5/2010	Foubert				
2012/0256403	A1	10/2012	Shields				

* cited by examiner

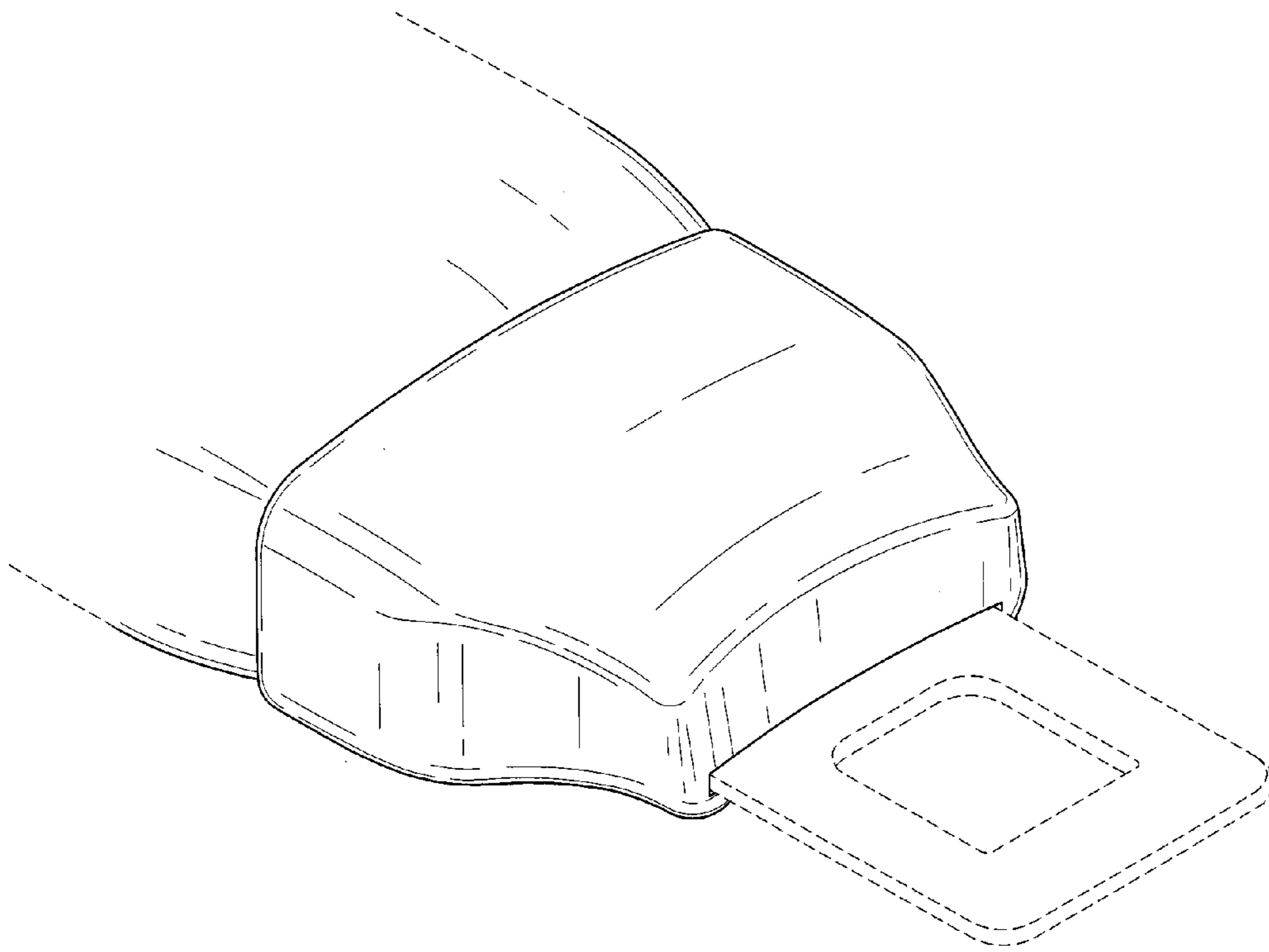


Fig. 1

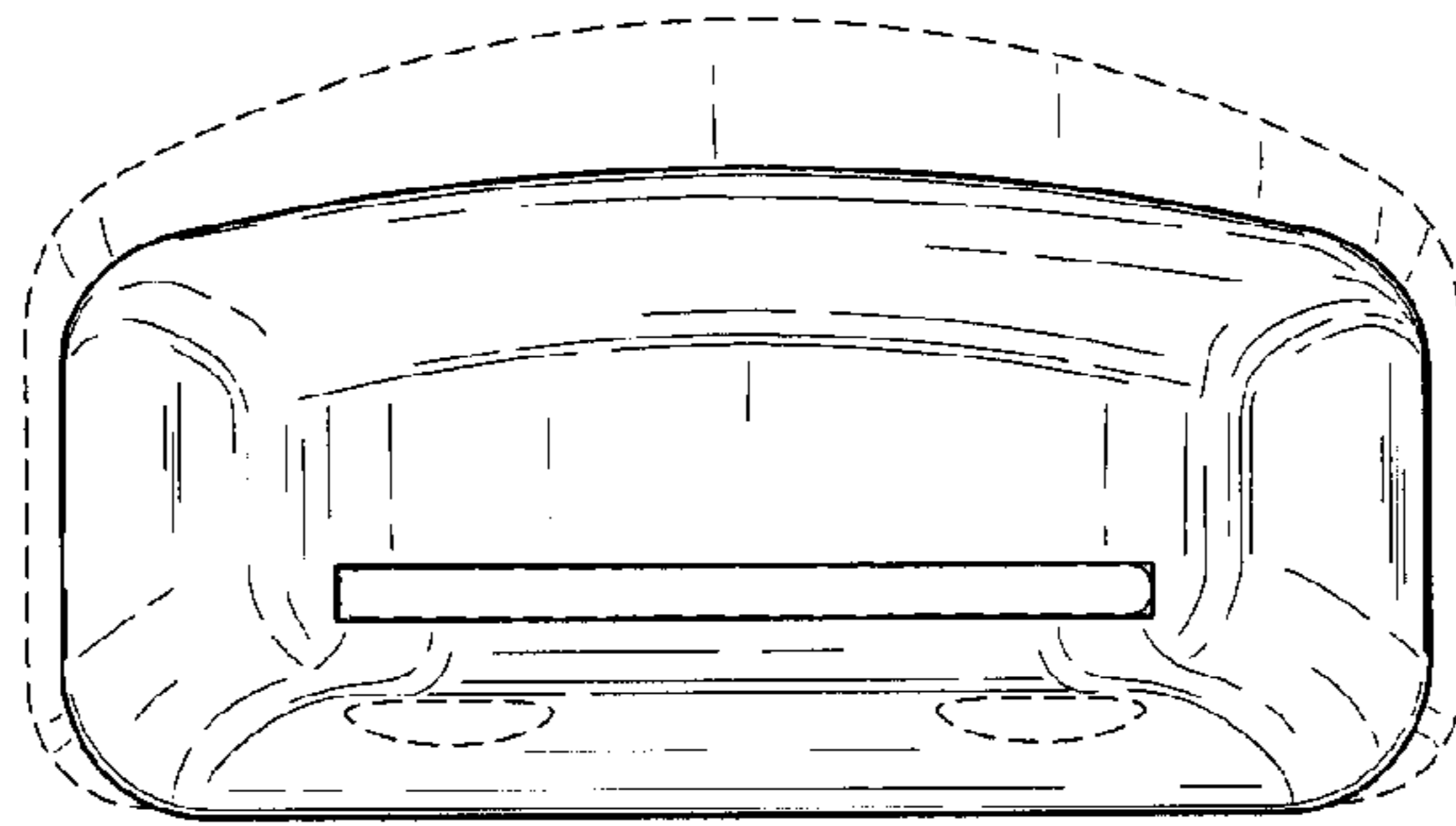


Fig. 2

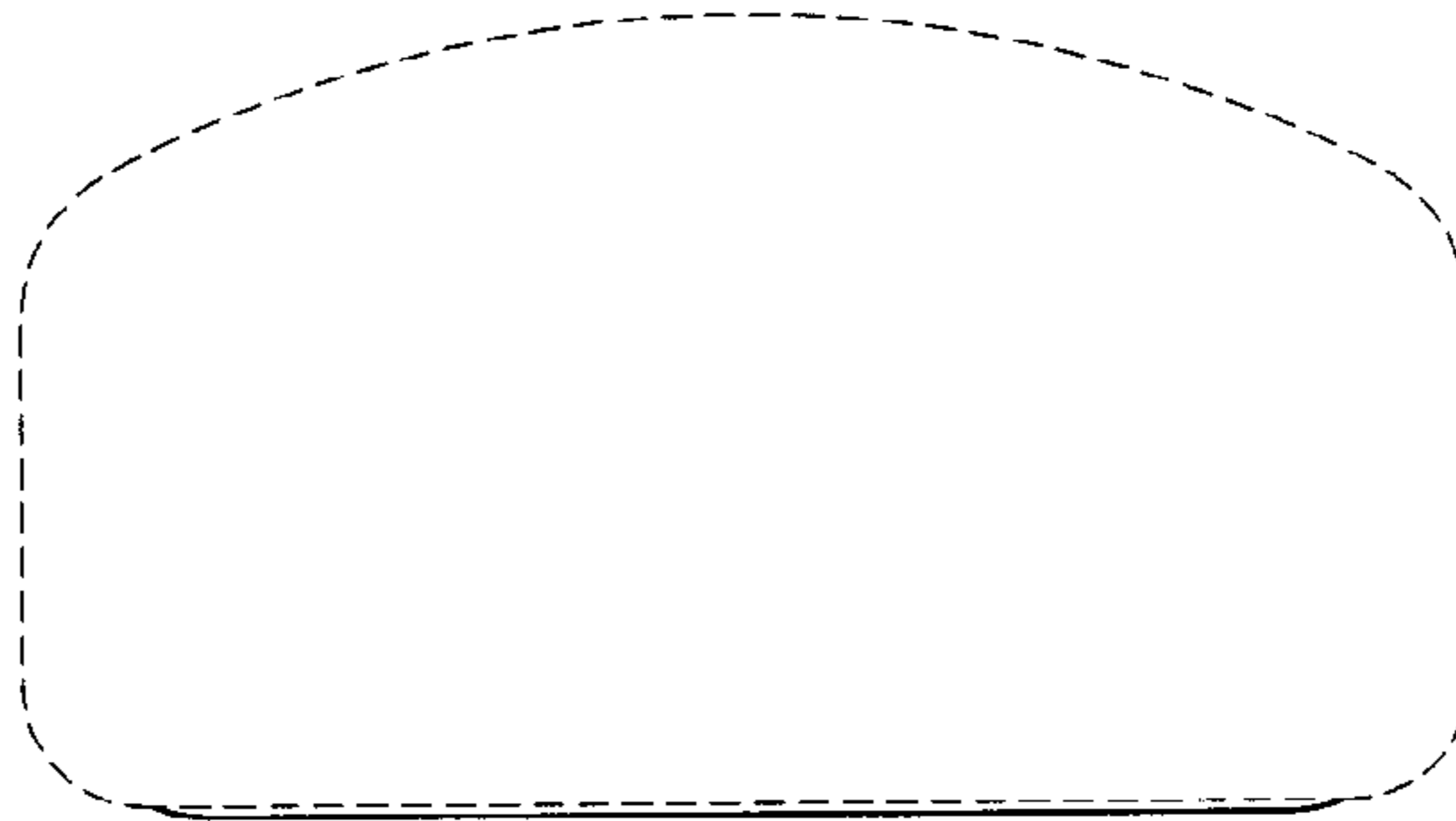


Fig. 3

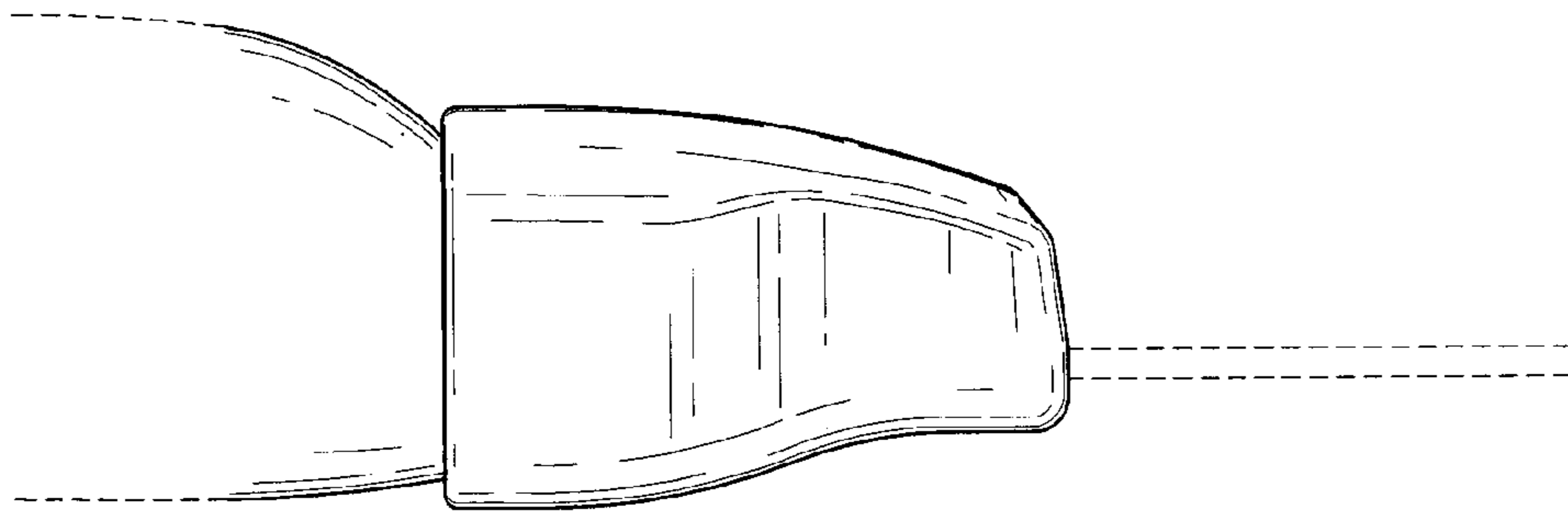


Fig. 4

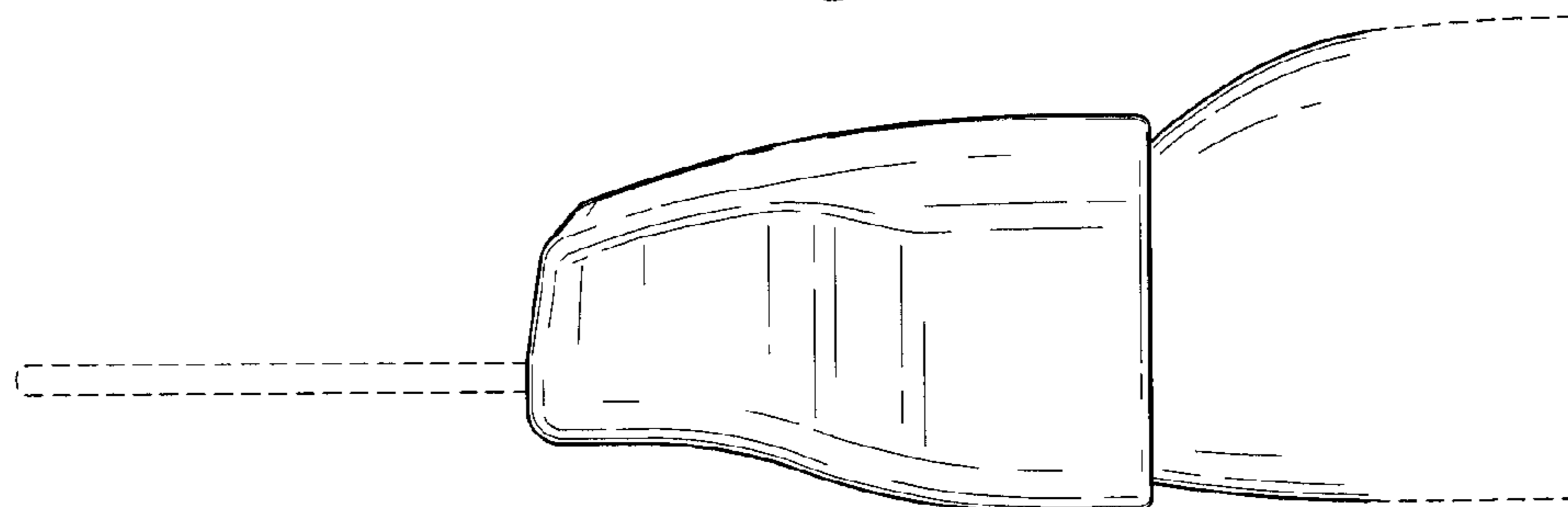


Fig. 5

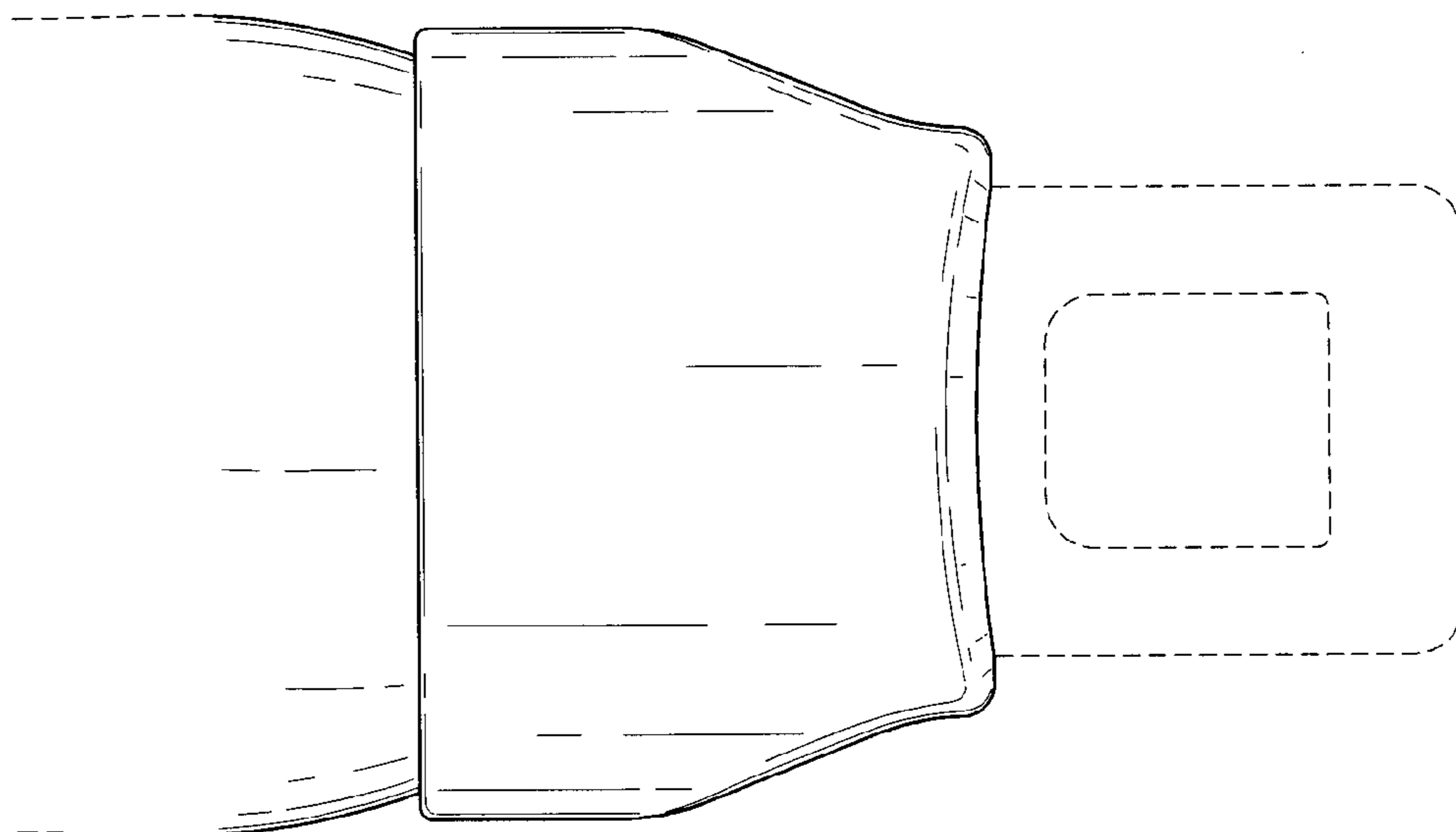


Fig. 6

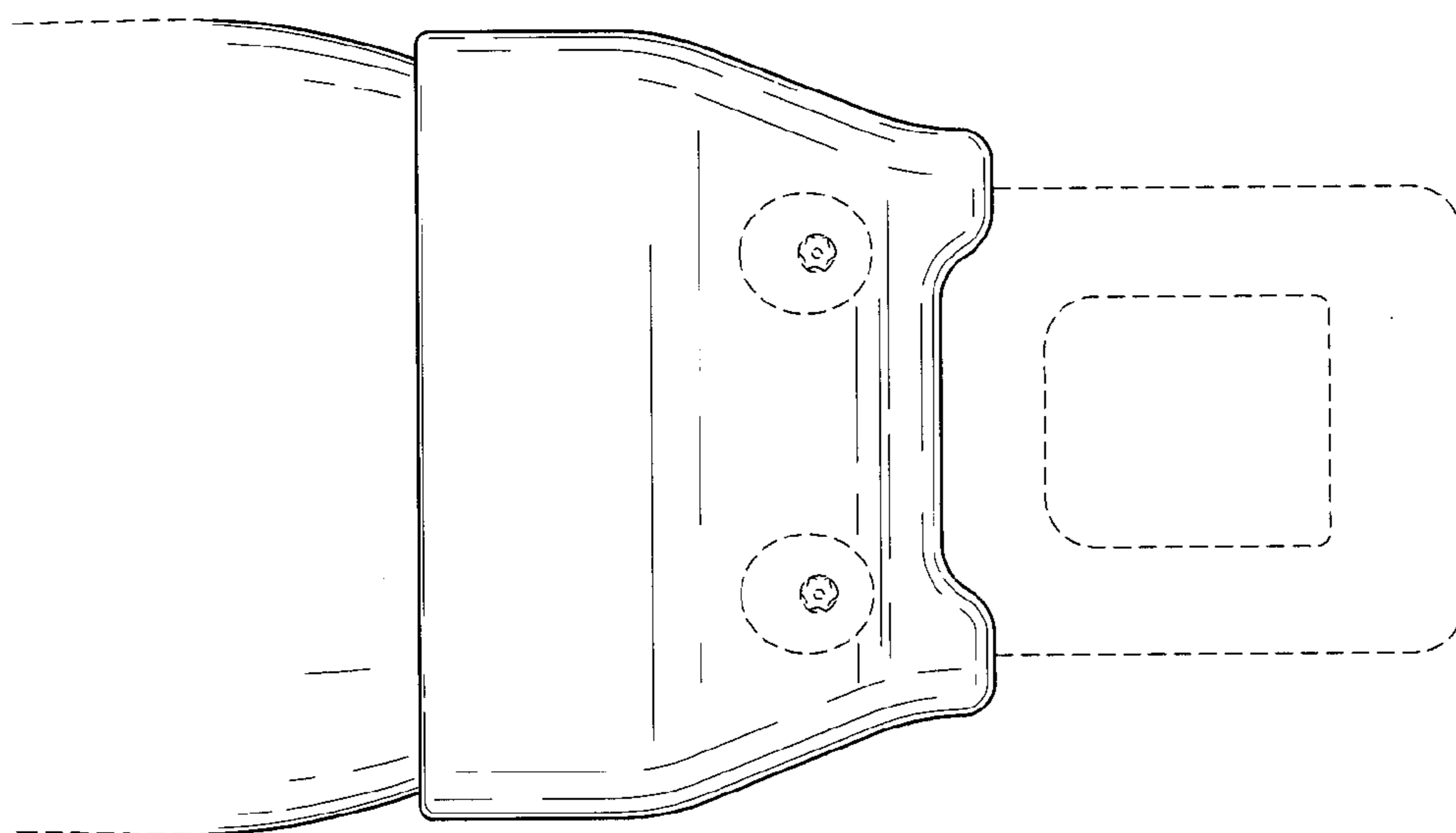


Fig. 7