



US00D688155S

(12) **United States Design Patent**  
**Stuchlik**

(10) **Patent No.:** **US D688,155 S**

(45) **Date of Patent:** **\*\* Aug. 20, 2013**

(54) **STONE FOR JEWELRY**

(75) Inventor: **Jan Stuchlik**, Jablonec nad Nisou (CZ)

(73) Assignee: **Preciosa a.s.**, Jablonec nad Nisou (CZ)

(\*\*) Term: **14 Years**

(21) Appl. No.: **29/426,448**

(22) Filed: **Jul. 5, 2012**

(30) **Foreign Application Priority Data**

Jan. 16, 2012	(EM)	1975855-0002
Jan. 16, 2012	(EM)	1975855-0005
Jan. 16, 2012	(EM)	1975855-0006
Jan. 16, 2012	(EM)	1975855-0008
Jan. 16, 2012	(EM)	1975855-0011
Jan. 16, 2012	(EM)	1975855-0012

(51) **LOC (9) Cl.** ..... **11-01**

(52) **U.S. Cl.**  
USPC ..... **D11/90**

(58) **Field of Classification Search**  
USPC ..... D11/1-2, 26-29, 89-92; 63/26-28,  
63/32

See application file for complete search history.

(56) **References Cited**

U.S. PATENT DOCUMENTS

D516,585	S	*	3/2006	Granig et al.	.....	D11/90
D531,080	S	*	10/2006	Swarovski	.....	D11/90
D589,394	S	*	3/2009	Schneider et al.	.....	D11/90
D590,292	S	*	4/2009	Schneider et al.	.....	D11/90
D616,327	S	*	5/2010	Schneider et al.	.....	D11/90

\* cited by examiner

*Primary Examiner* — Ralf Seifert

(74) *Attorney, Agent, or Firm* — Notaro, Michalos & Zaccaria P.C.

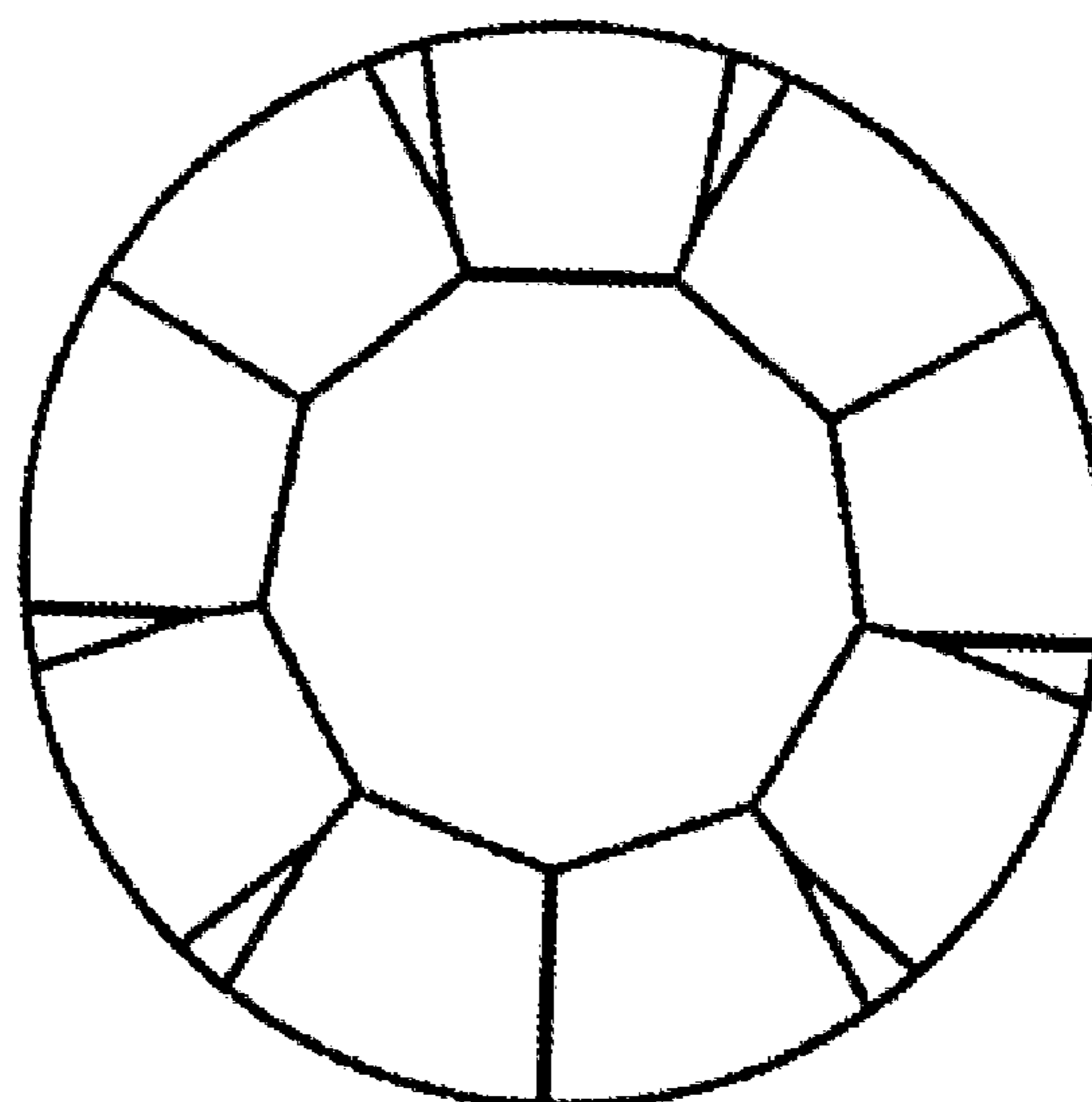
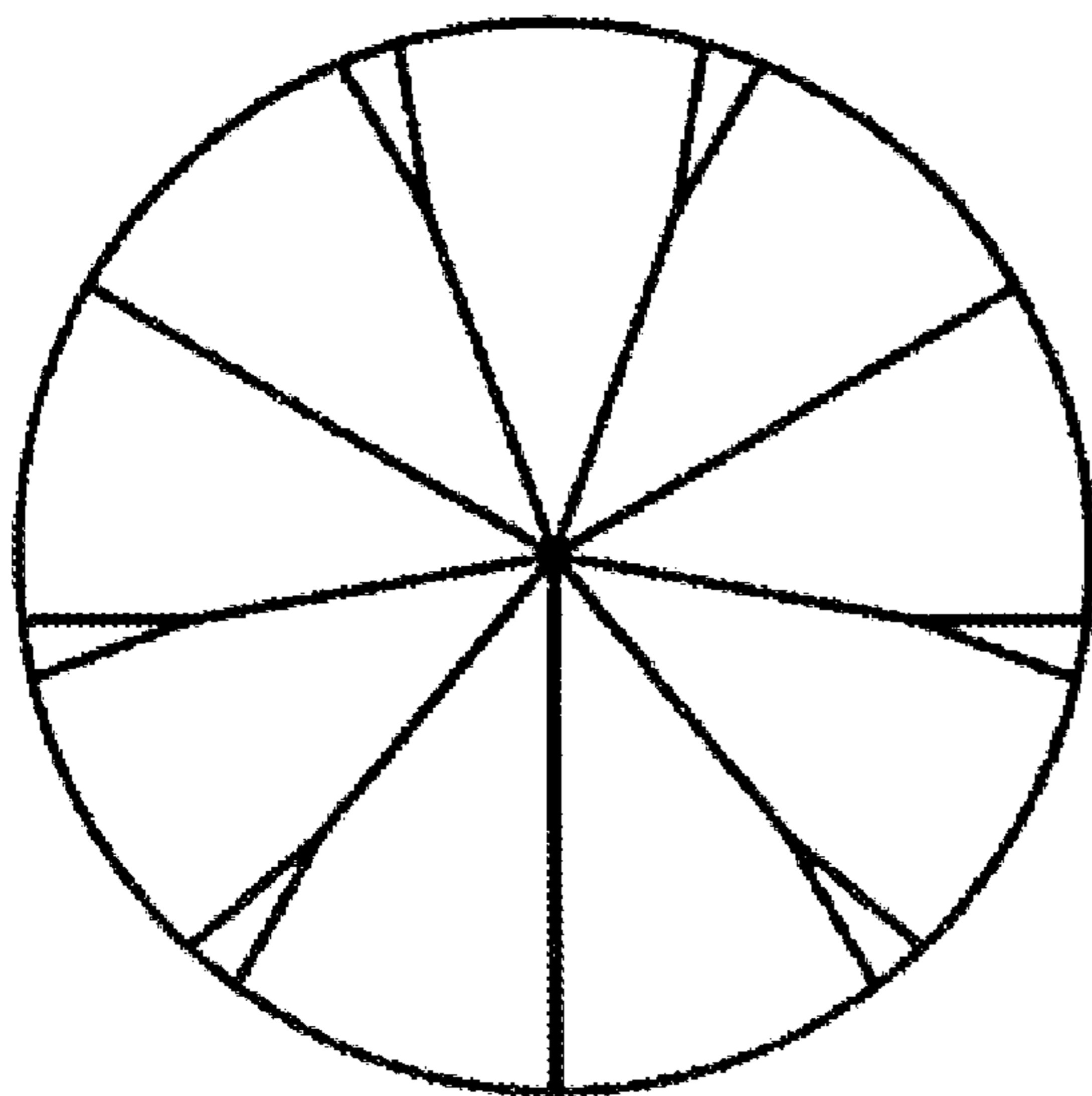
(57) **CLAIM**

The ornamental design for a stone for jewelry, as shown and described.

**DESCRIPTION**

FIG. 1 is a front elevational view of a stone for jewelry showing my new design therefor;  
 FIG. 2 is a bottom plan view thereof;  
 FIG. 3 is a top plan view thereof;  
 FIG. 4 is a side perspective view thereof;  
 FIG. 5 is an opposite side perspective view thereof;  
 FIG. 6 is a rear elevational view thereof;  
 FIG. 7 is a front elevational view of a second embodiment of the design;  
 FIG. 8 is a bottom plan view thereof;  
 FIG. 9 is a top plan view thereof;  
 FIG. 10 is a side perspective view thereof;  
 FIG. 11 is an opposite side perspective view thereof; and,  
 FIG. 12 is a rear elevational view thereof.

**1 Claim, 2 Drawing Sheets**



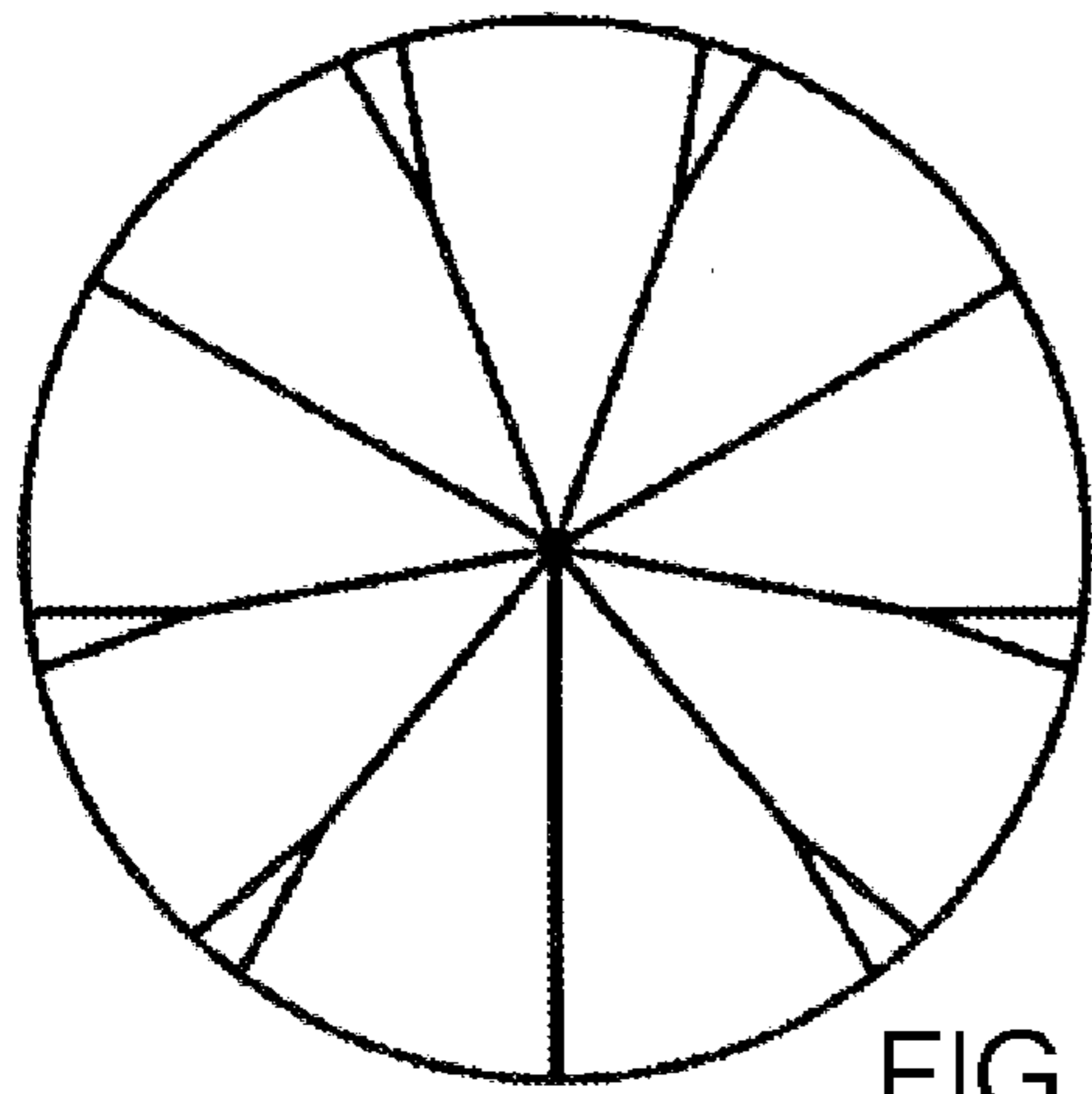


FIG. 2

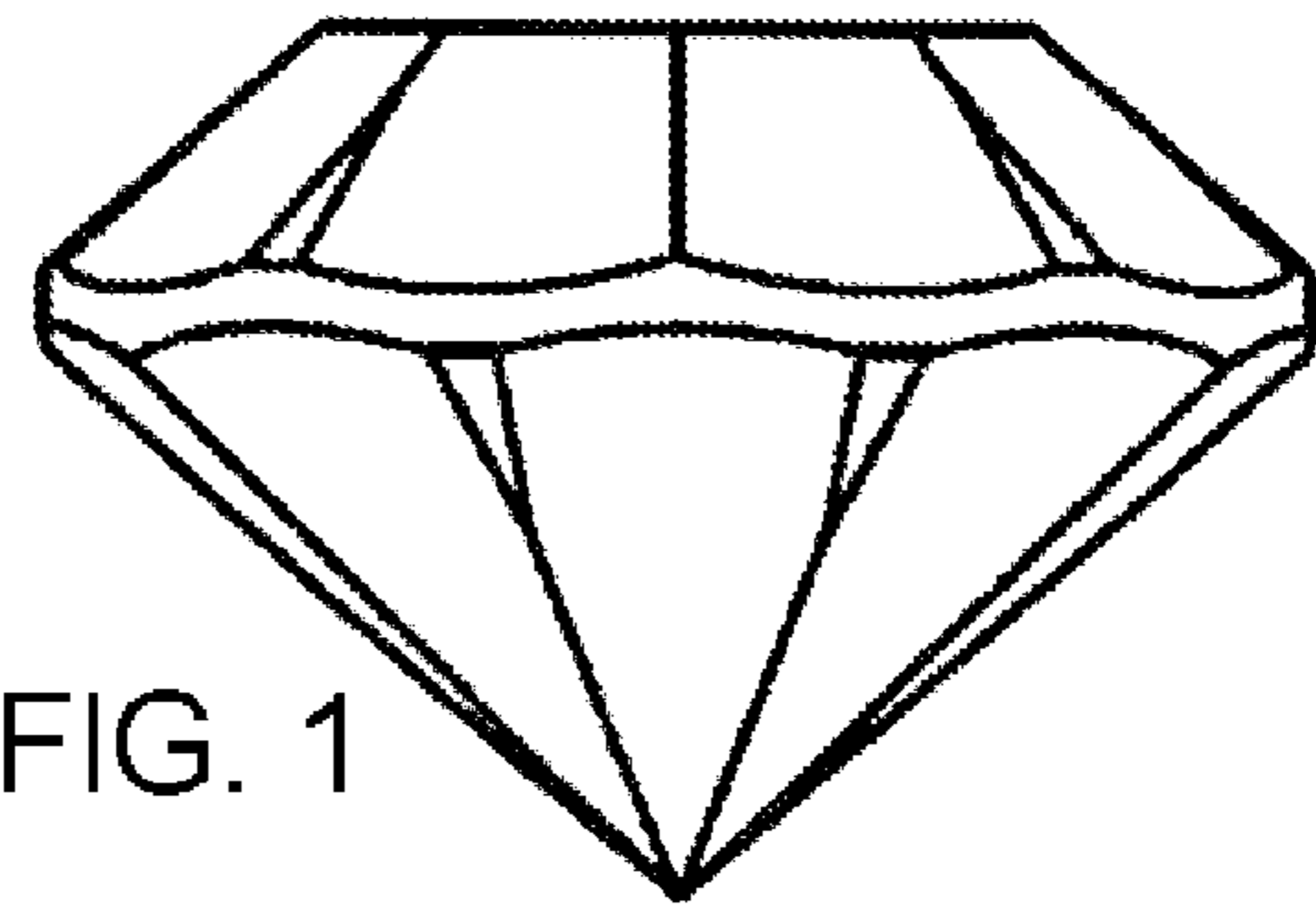


FIG. 1

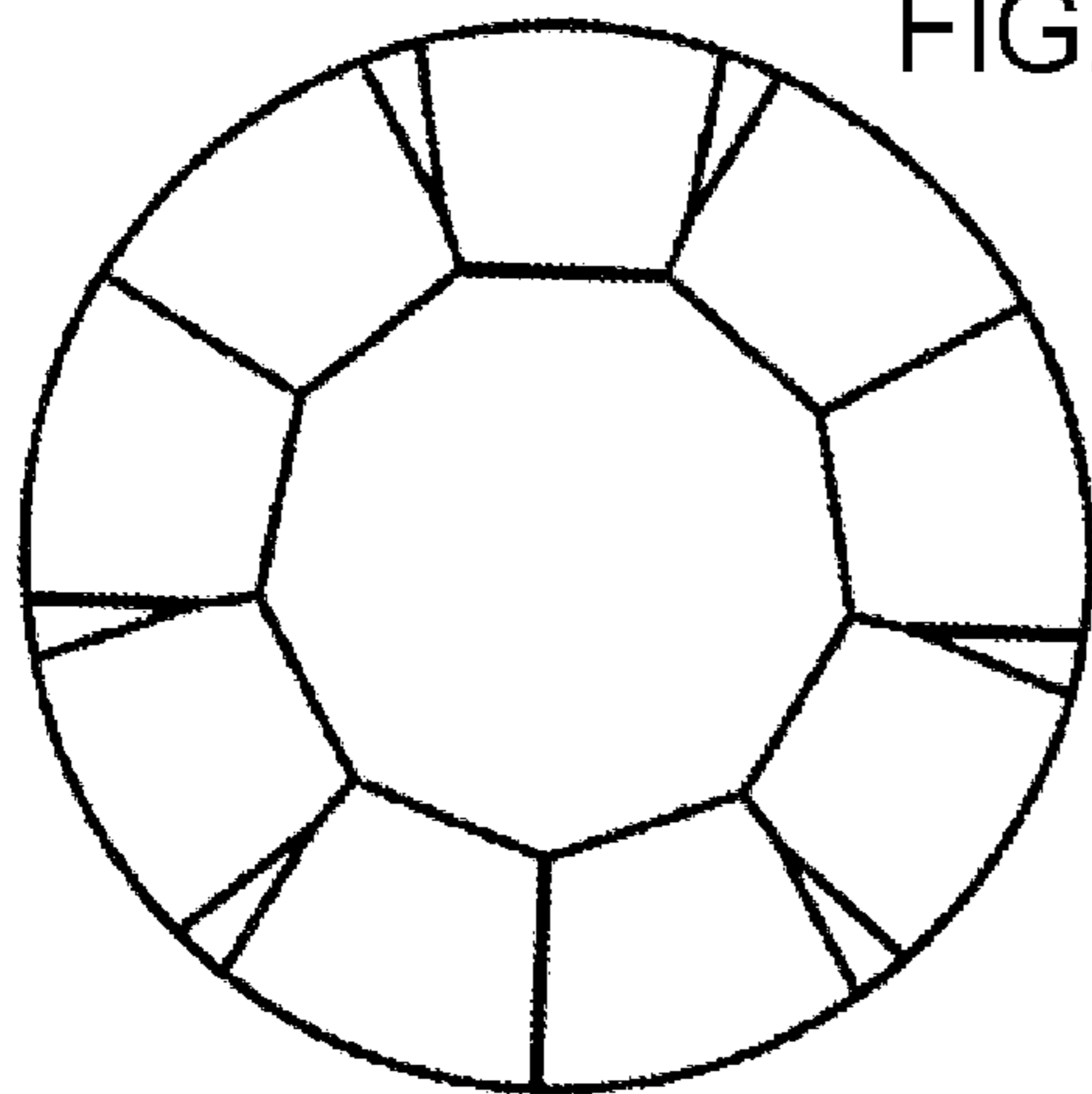


FIG. 3

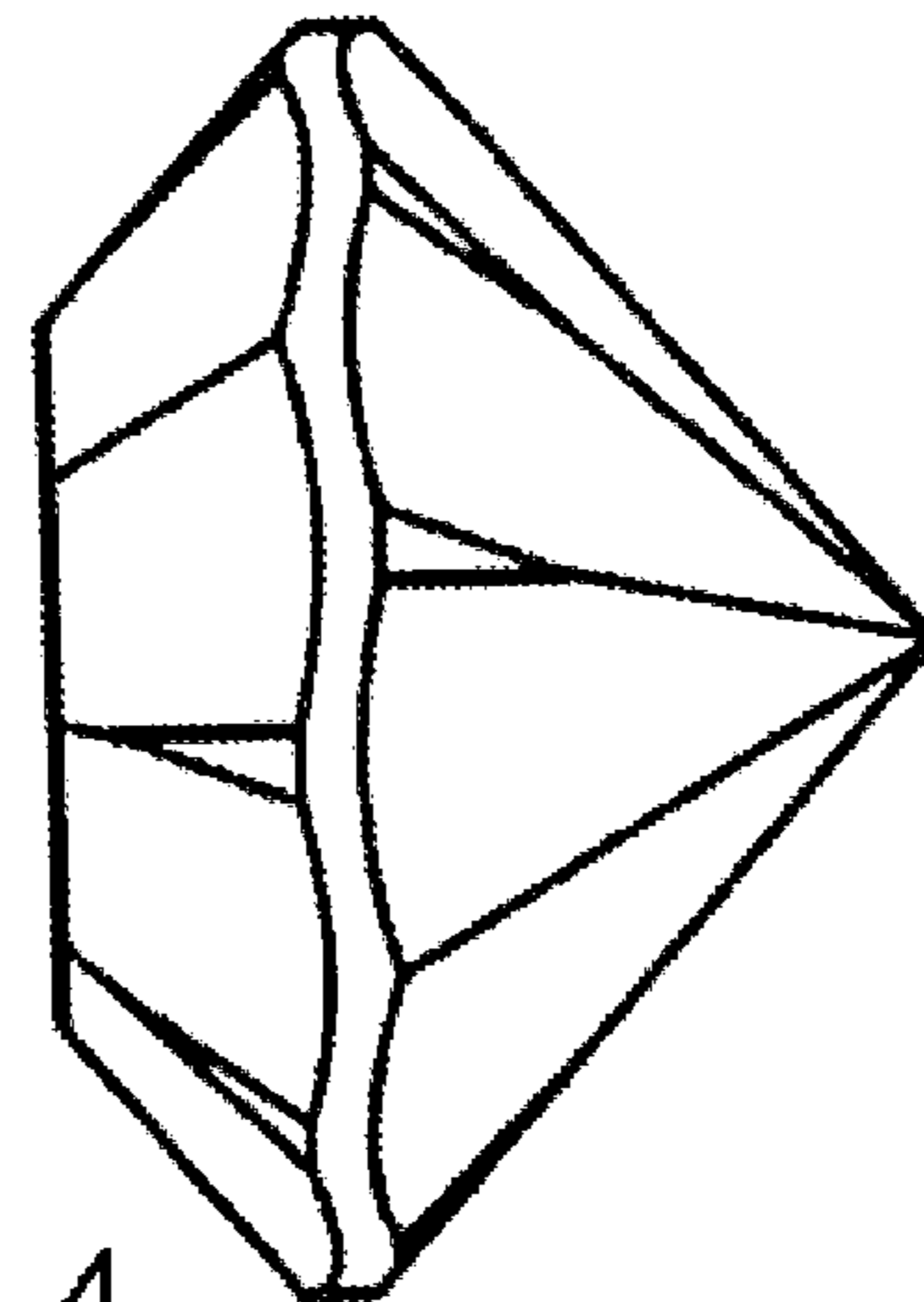


FIG. 4

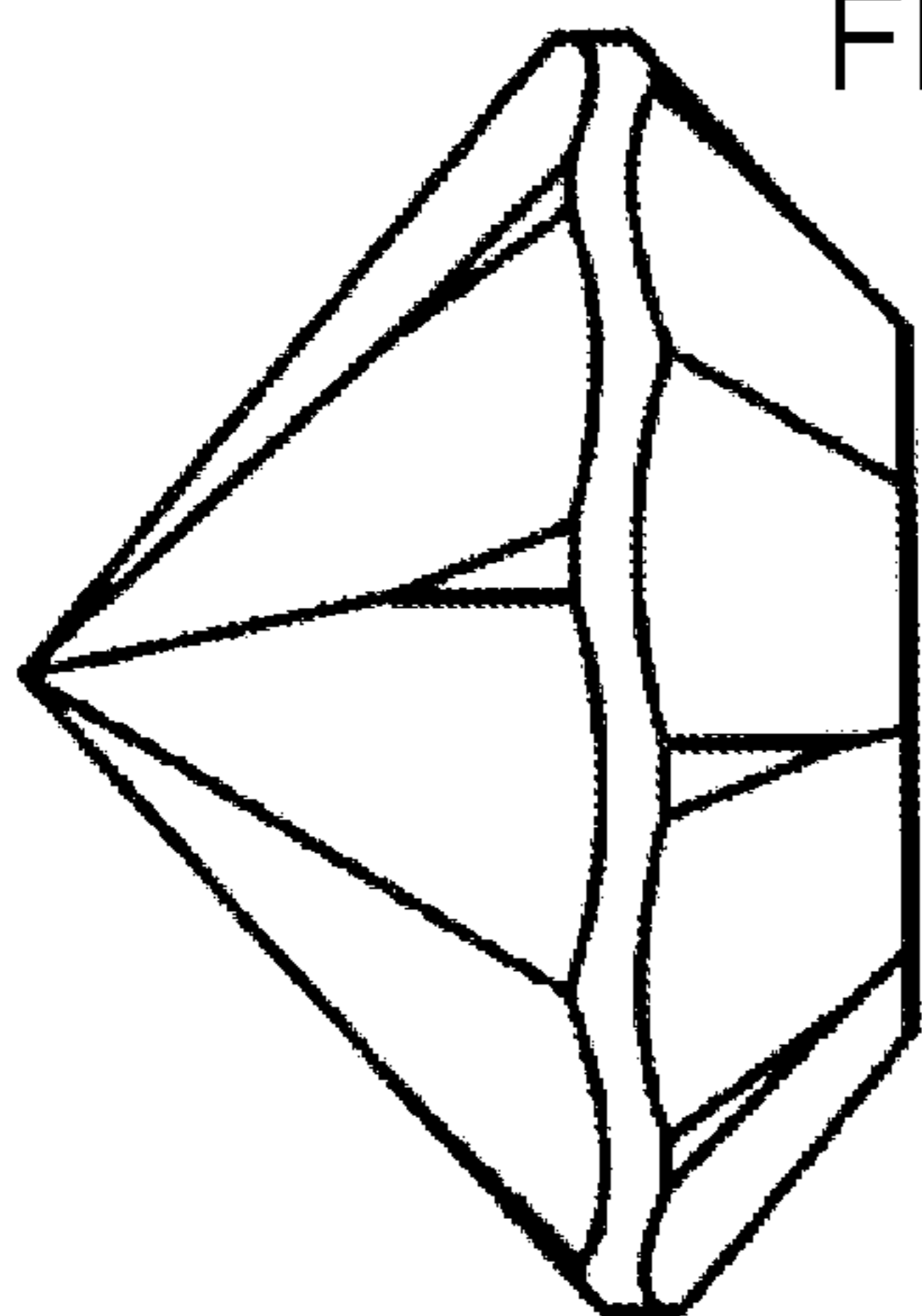


FIG. 5

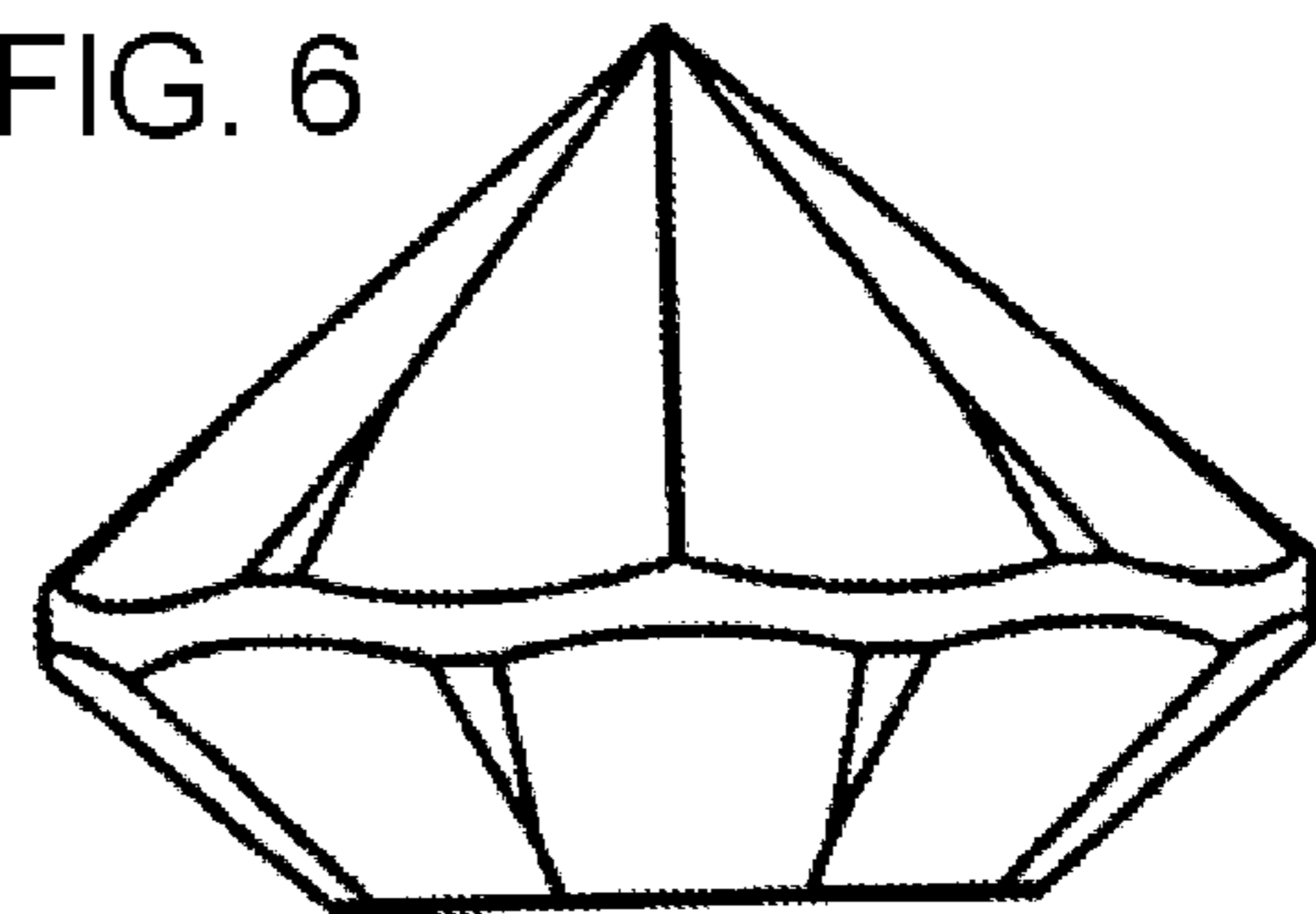


FIG. 6

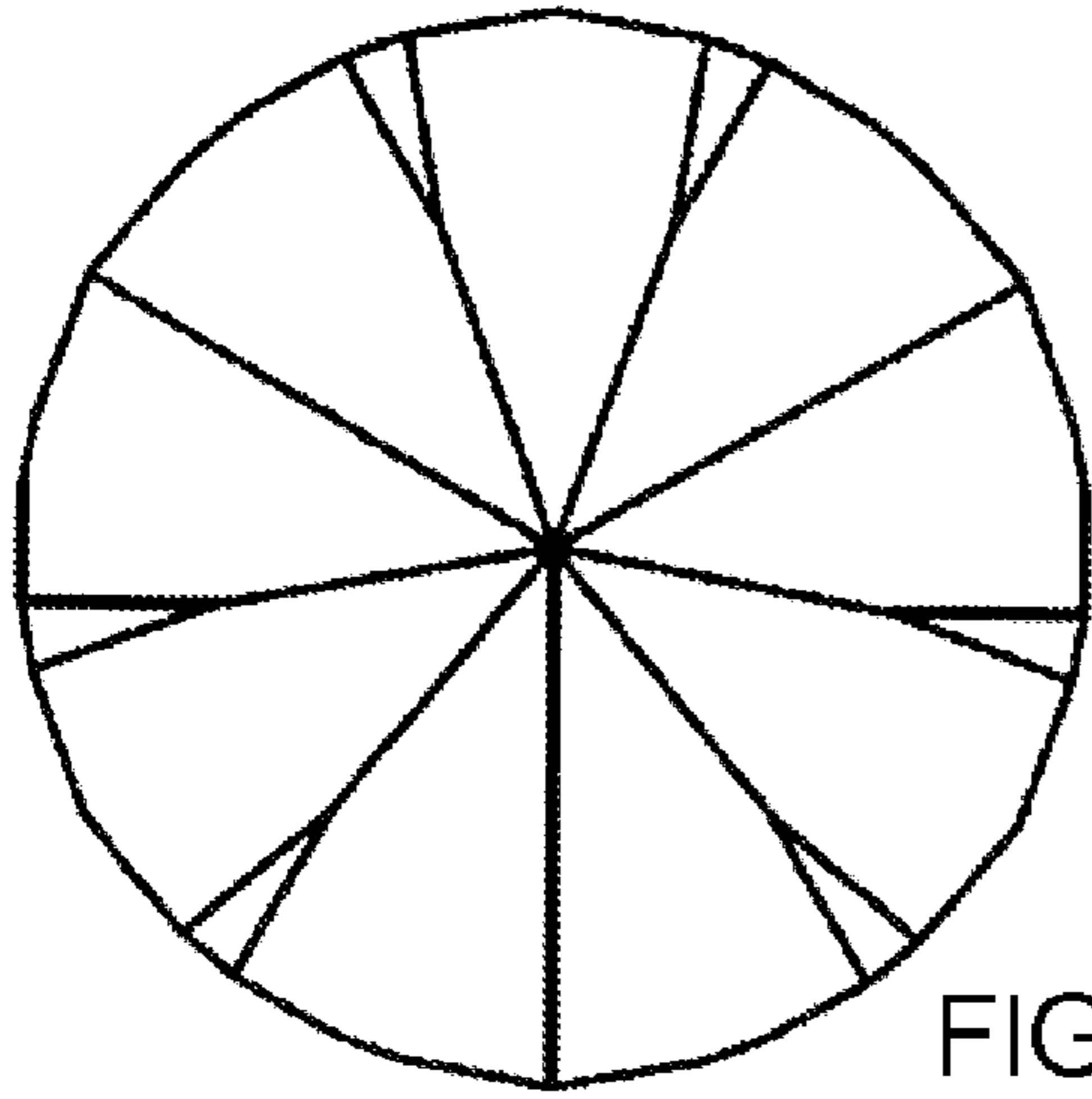


FIG. 8

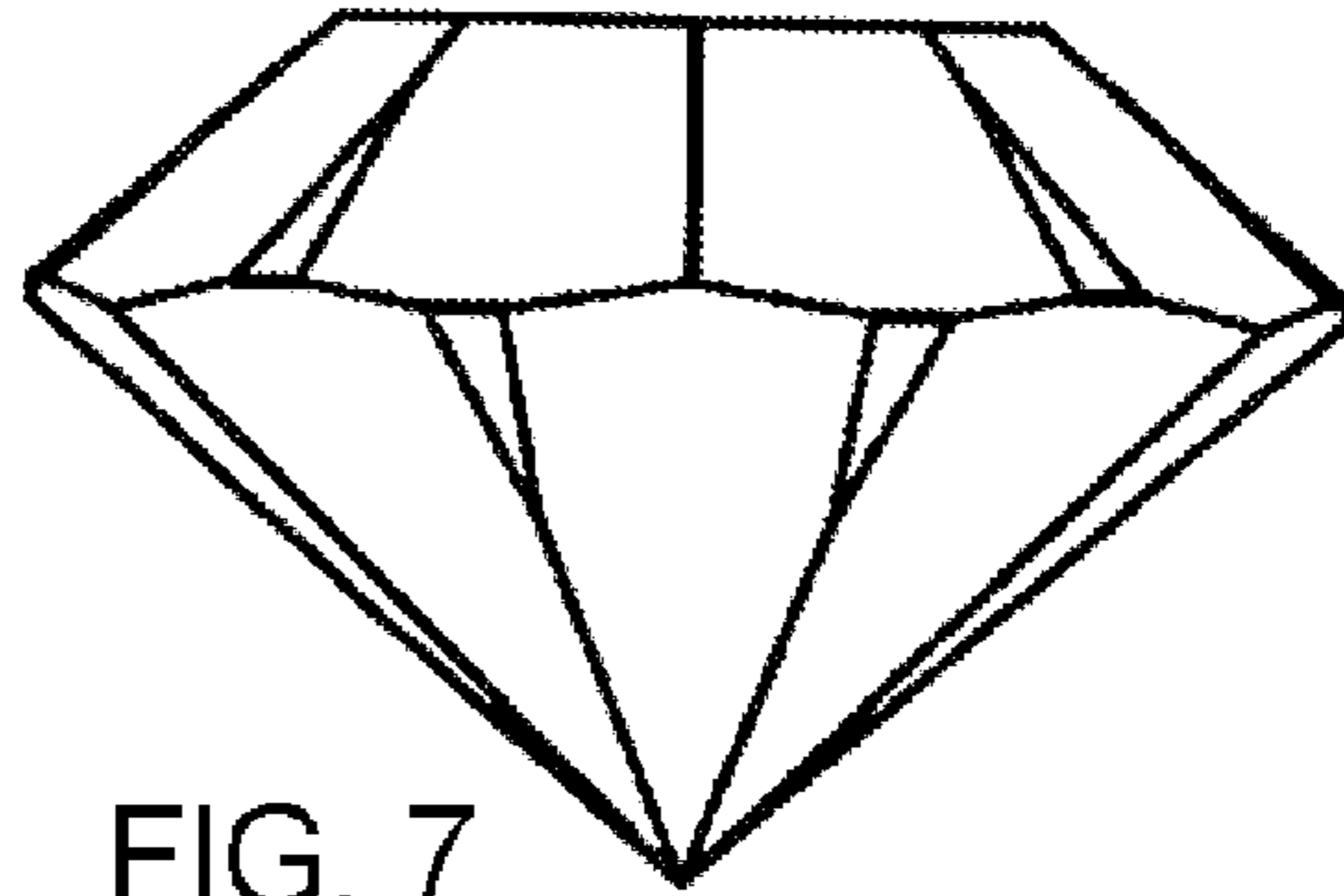


FIG. 7

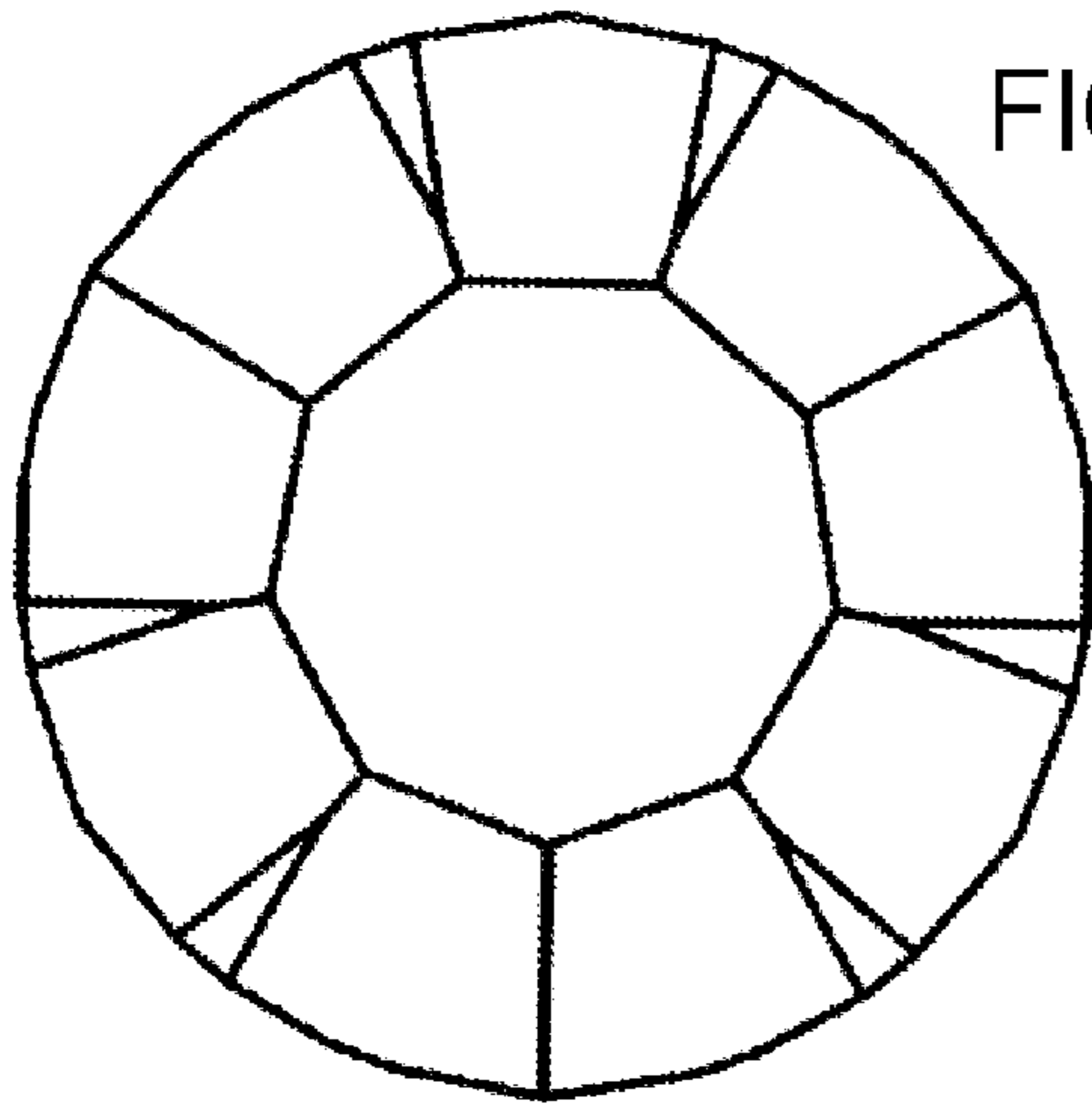


FIG. 9

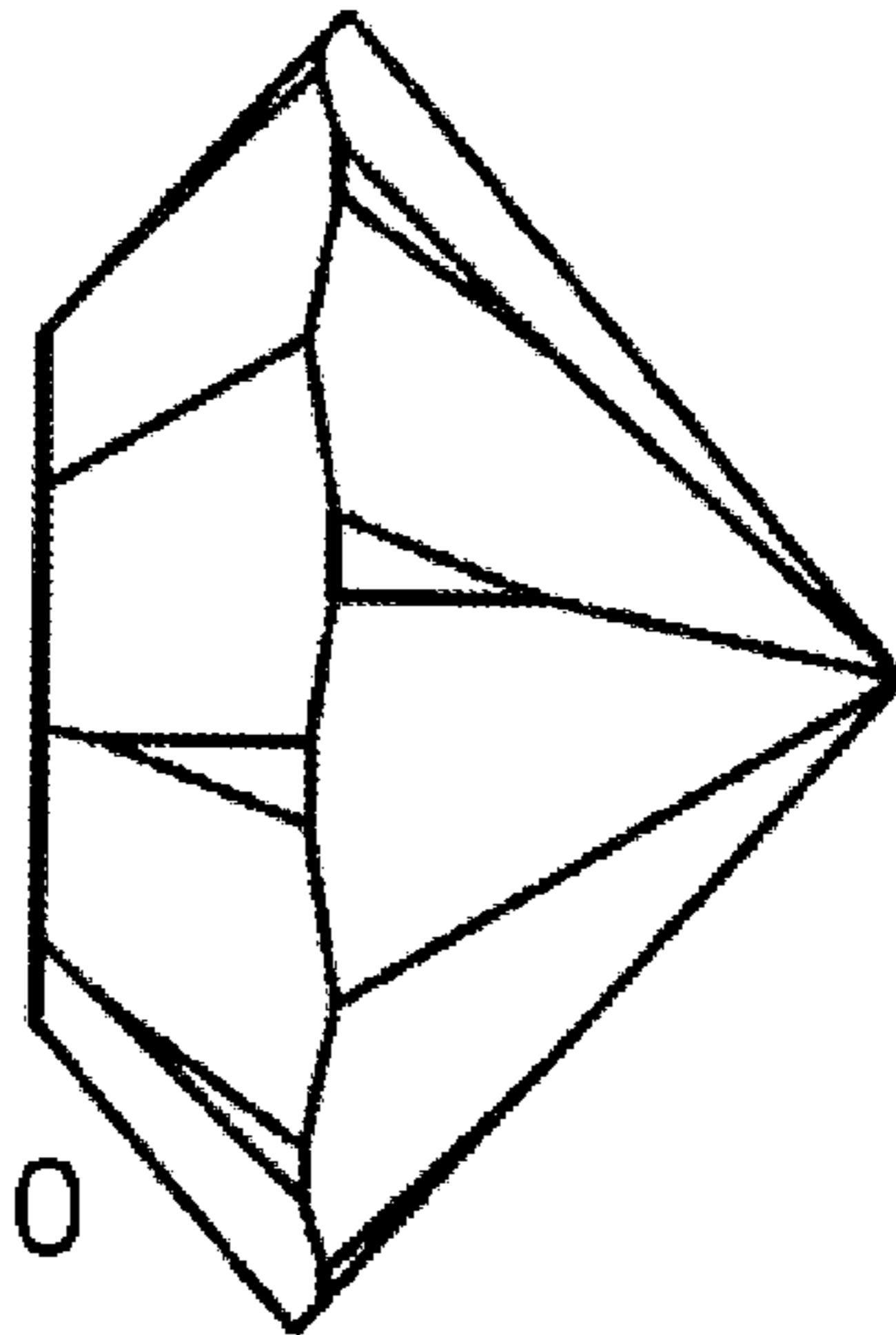


FIG. 10

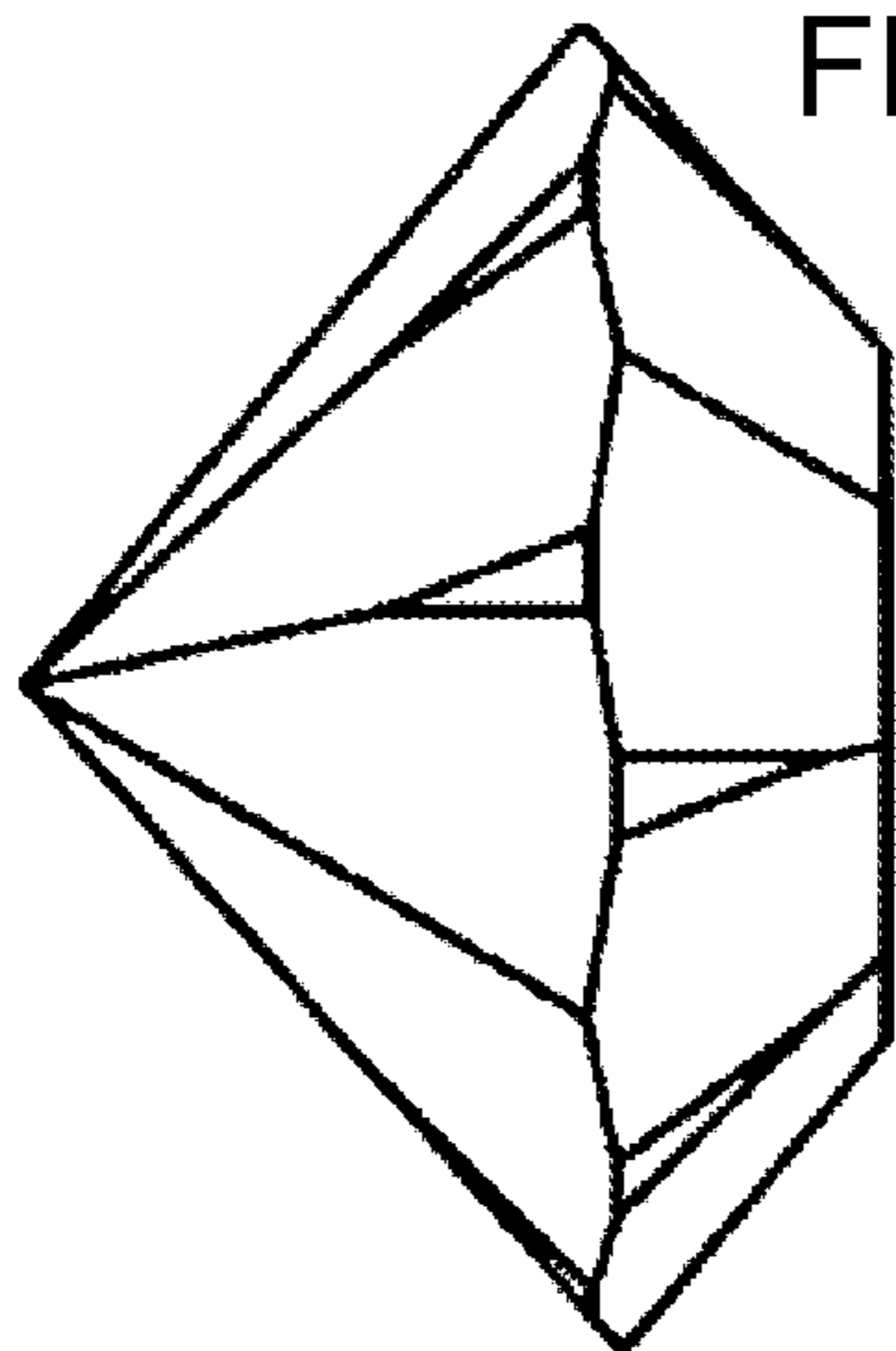


FIG. 11

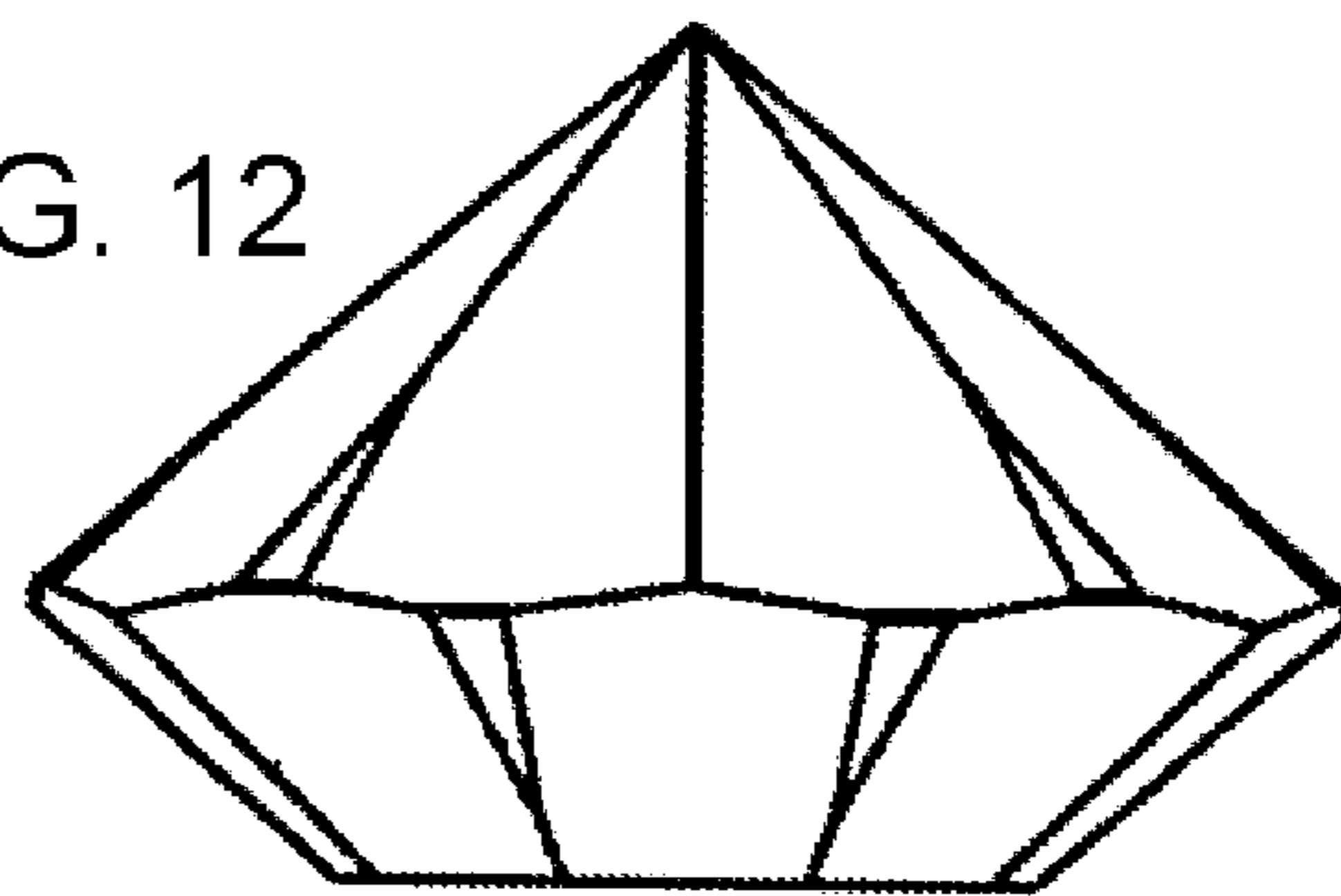


FIG. 12