



US00D688153S

(12) **United States Design Patent**
Tyson

(10) **Patent No.:** **US D688,153 S**

(45) **Date of Patent:** **** Aug. 20, 2013**

(54) **CLASP**

(76) **Inventor:** **Lillian Jane Tyson, Moonah (AU)**

(**) **Term:** **14 Years**

(21) **Appl. No.:** **29/423,020**

(22) **Filed:** **May 25, 2012**

(51) **LOC (9) Cl.** **11-01**

(52) **U.S. Cl.**
USPC **D11/87**

(58) **Field of Classification Search**
USPC D11/1-2, 7, 40-44, 46-49, 53, 56,
D11/57, 59-61, 63, 65, 79-83, 86-87, 89-90,
D11/91-92, 99, 101, 106, 114-116, 200-201;
63/18-20

See application file for complete search history.

(56) **References Cited**

U.S. PATENT DOCUMENTS

5,317,789 A * 6/1994 Levy 24/303
5,349,725 A * 9/1994 Levy 24/303
D405,352 S * 2/1999 Rosenbauer D8/382
6,598,272 B2 * 7/2003 Nire 24/303

6,622,349 B2 * 9/2003 Wong 24/303
7,207,091 B2 * 4/2007 Dunaye 24/303
D602,397 S * 10/2009 Heroux D11/200

* cited by examiner

Primary Examiner — Zenia Bennett

(74) *Attorney, Agent, or Firm* — Seed IP Law Group PLLC

(57) **CLAIM**

The ornamental design for a clasp, shown and described.

DESCRIPTION

FIG. 1 is top perspective view of a clasp showing my new design.

FIG. 2 is a bottom perspective view thereof.

FIG. 3 is a front elevational view thereof.

FIG. 4 is a rear elevational view thereof.

FIG. 5 is a left side elevational view thereof.

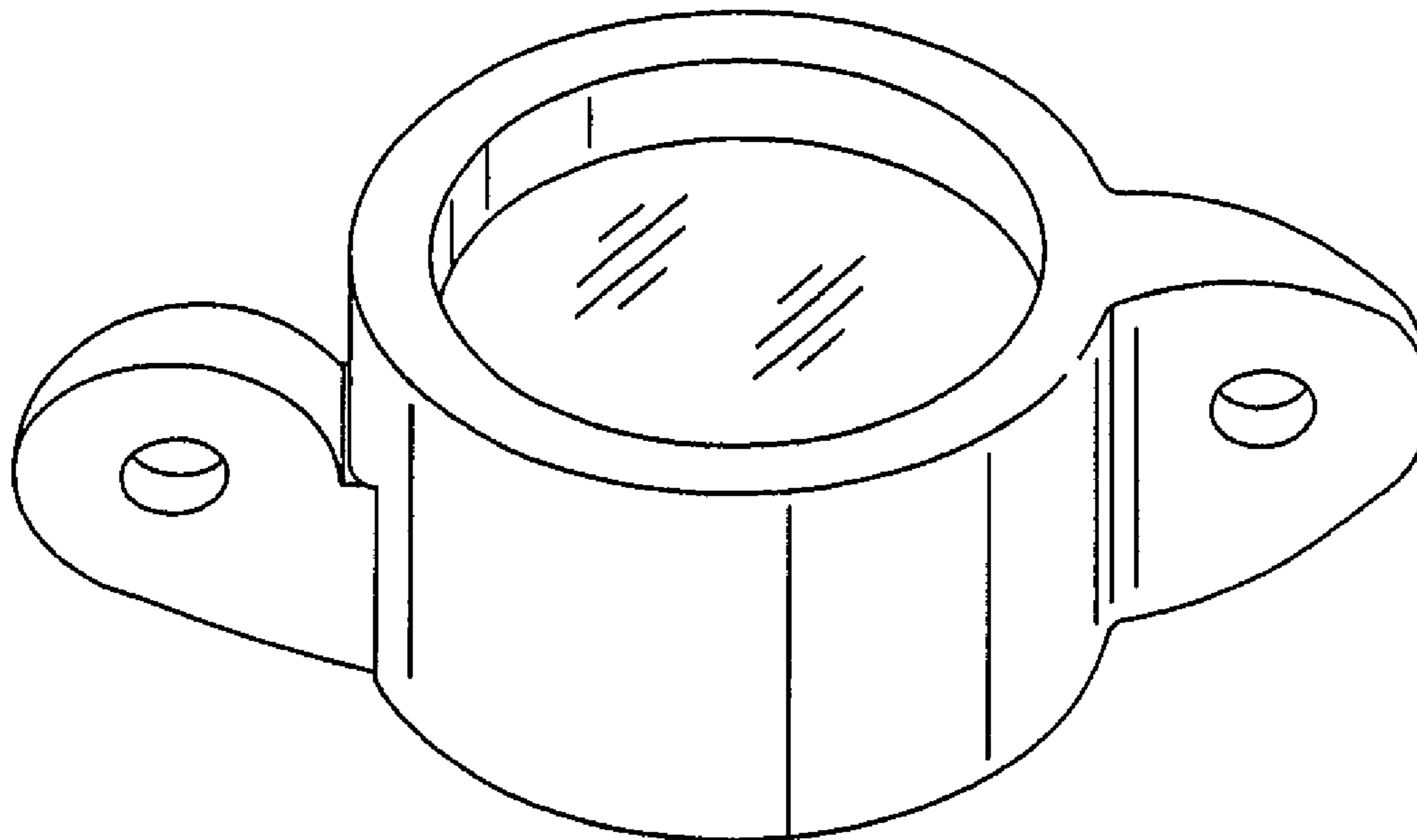
FIG. 6 is a right side elevational view thereof.

FIG. 7 is a top plan view thereof.

FIG. 8 is a bottom plan view thereof; and,

FIG. 9 is a front perspective view thereof, with the clasp in an unclamped position.

1 Claim, 5 Drawing Sheets



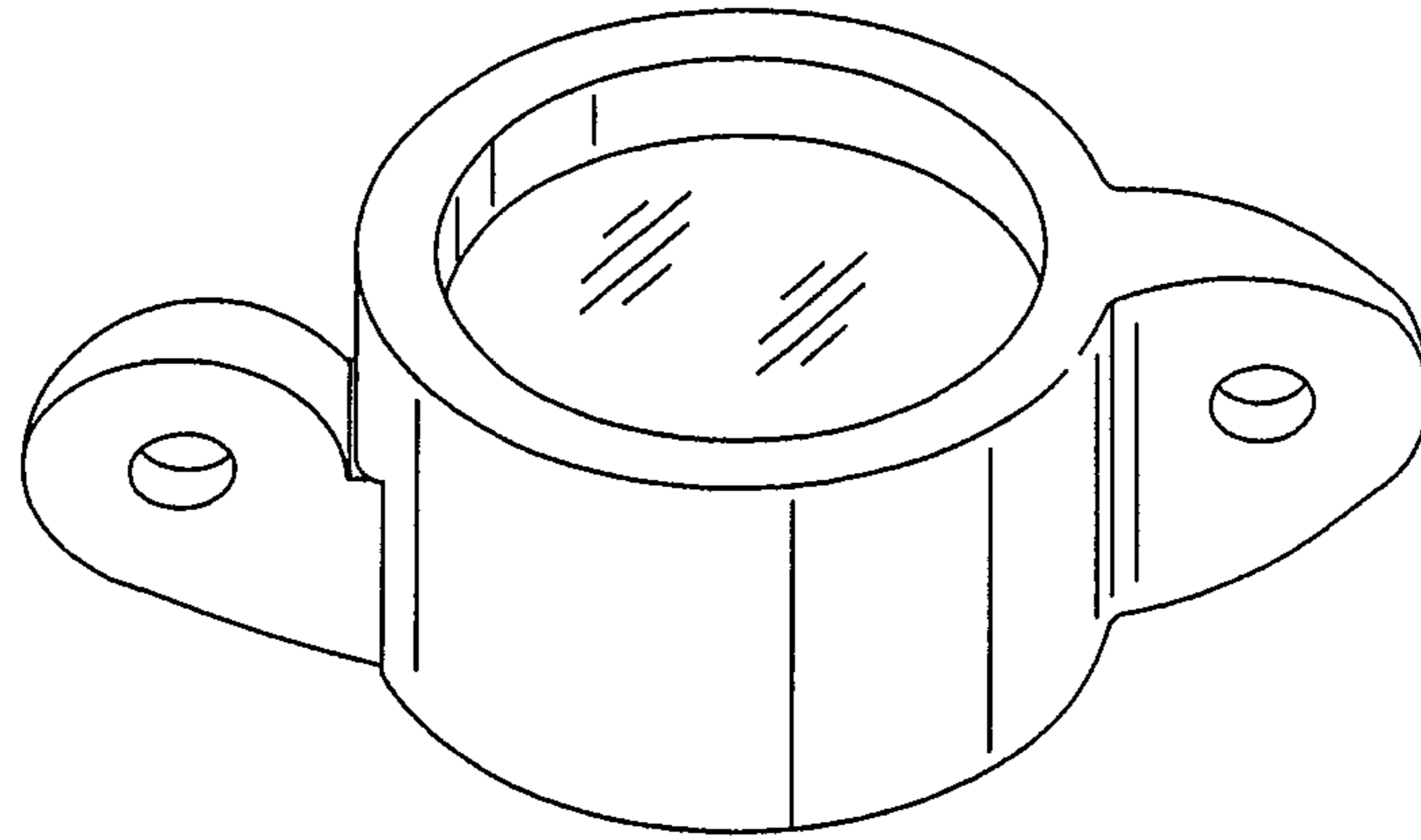


Figure 1

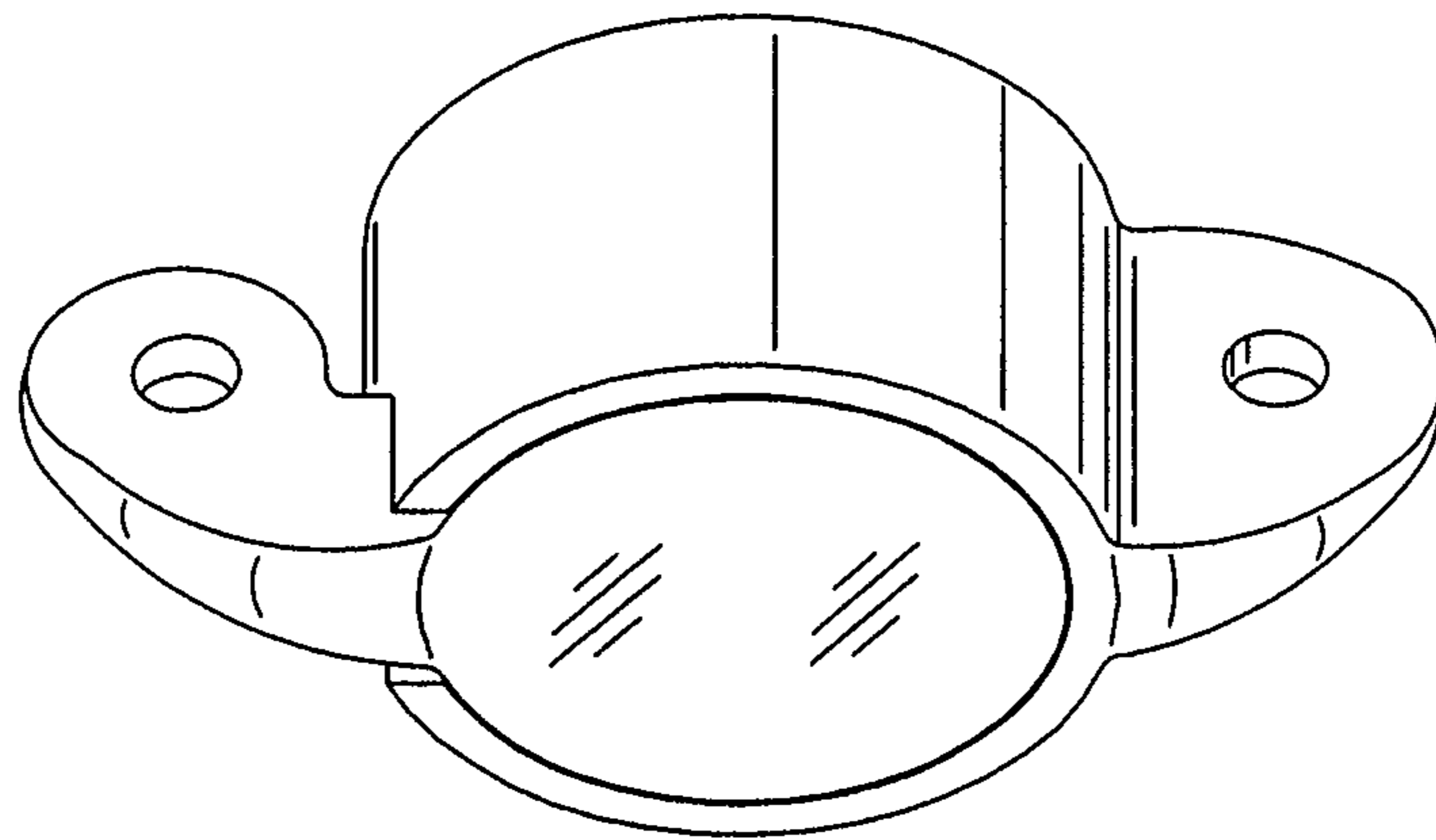


Figure 2

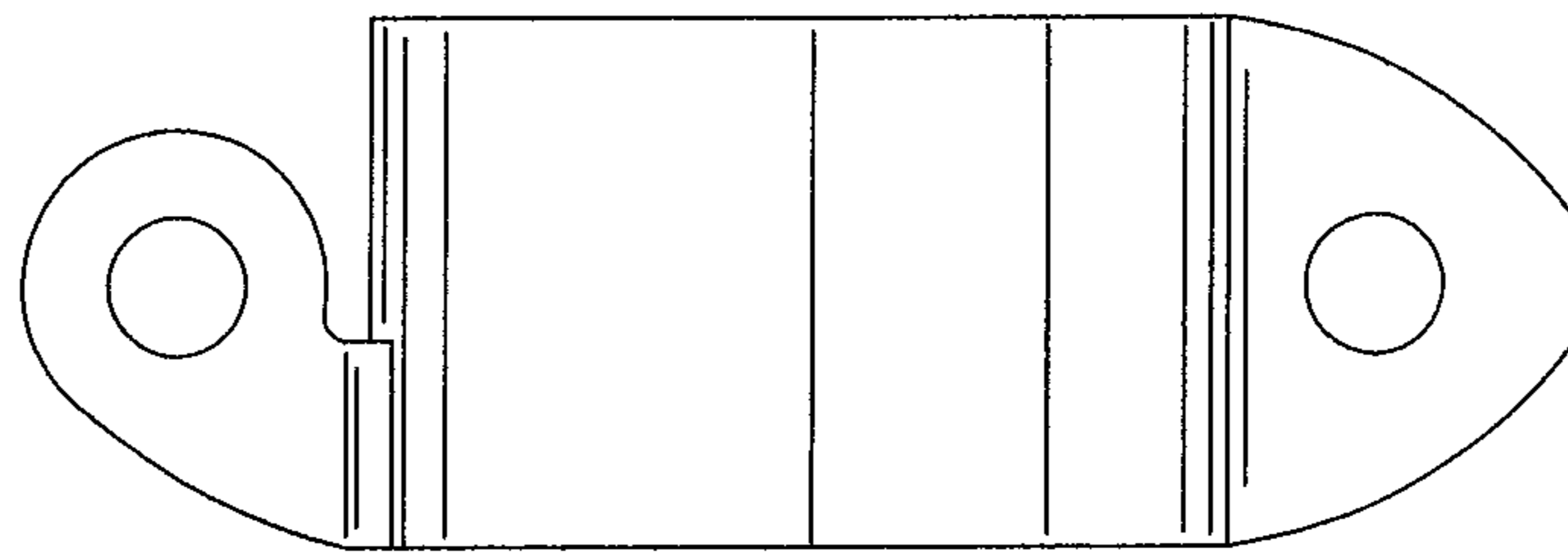


Figure 3

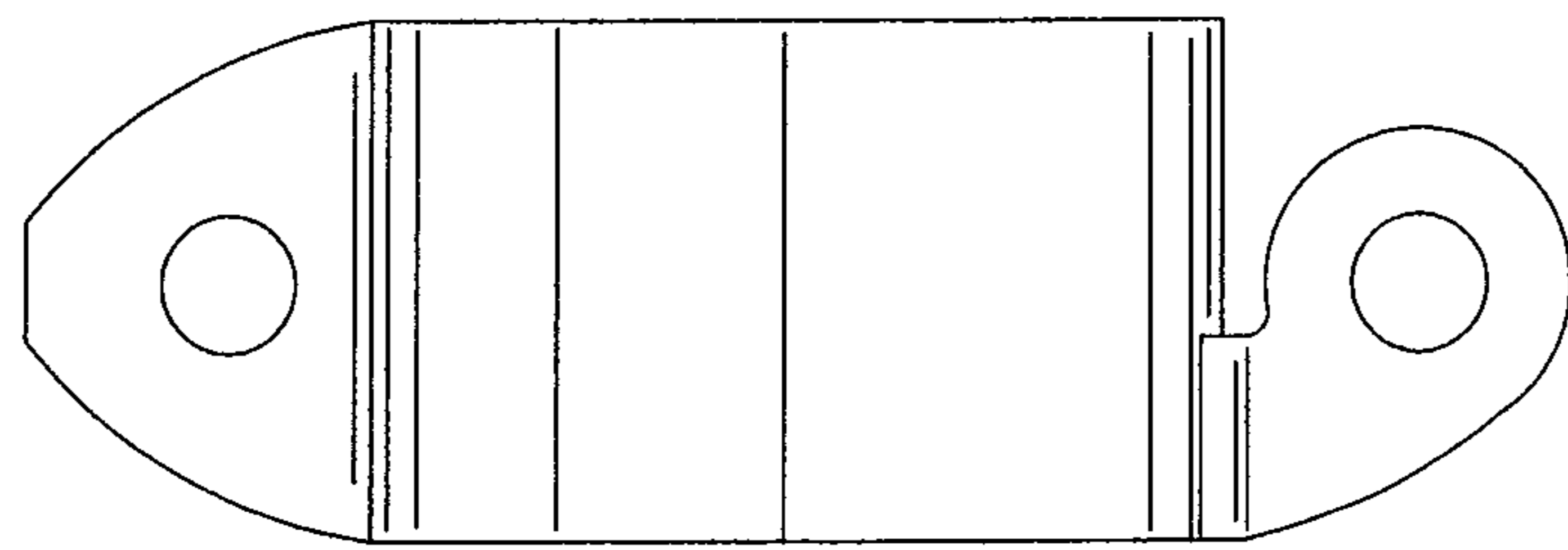


Figure 4

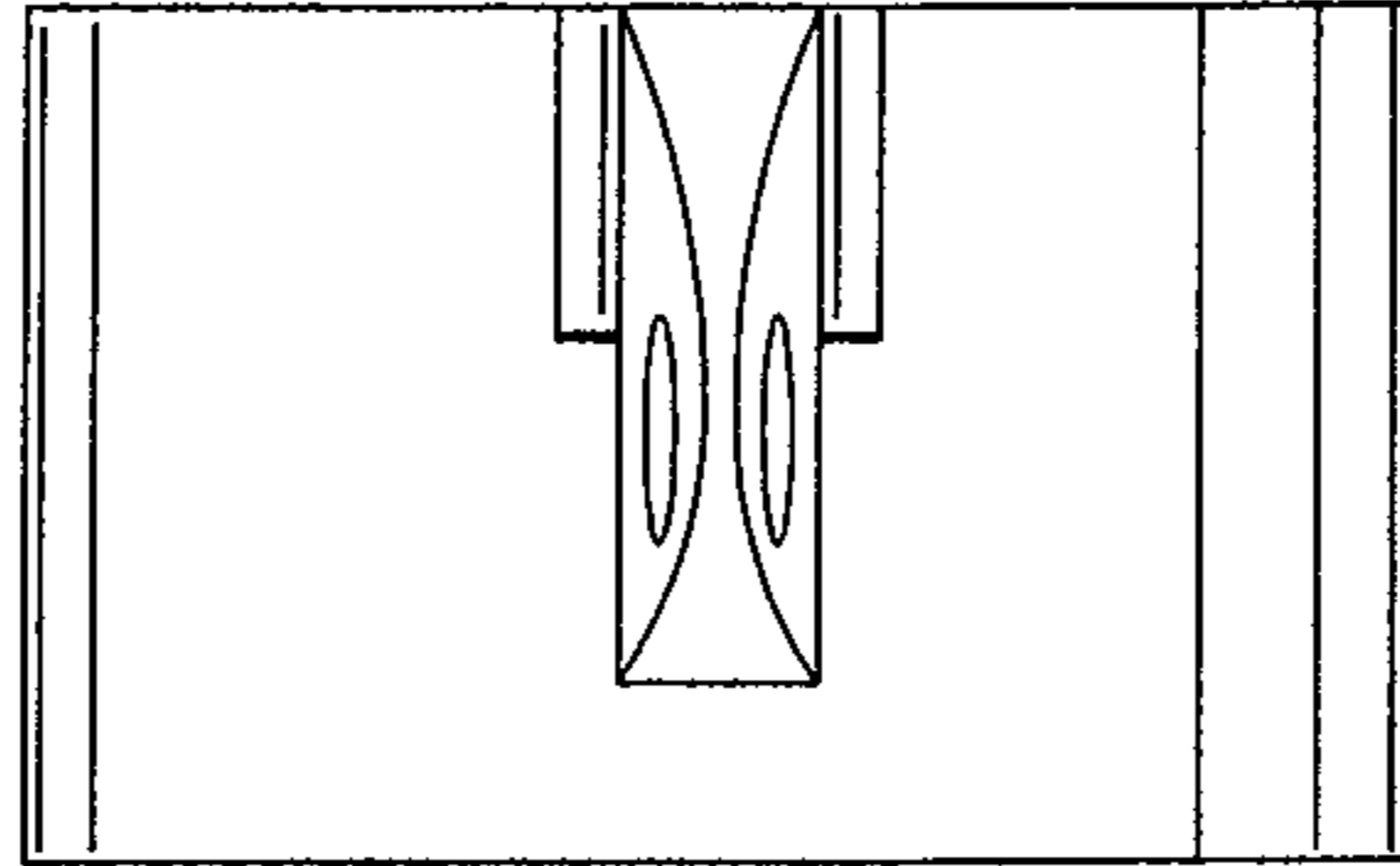


Figure 5

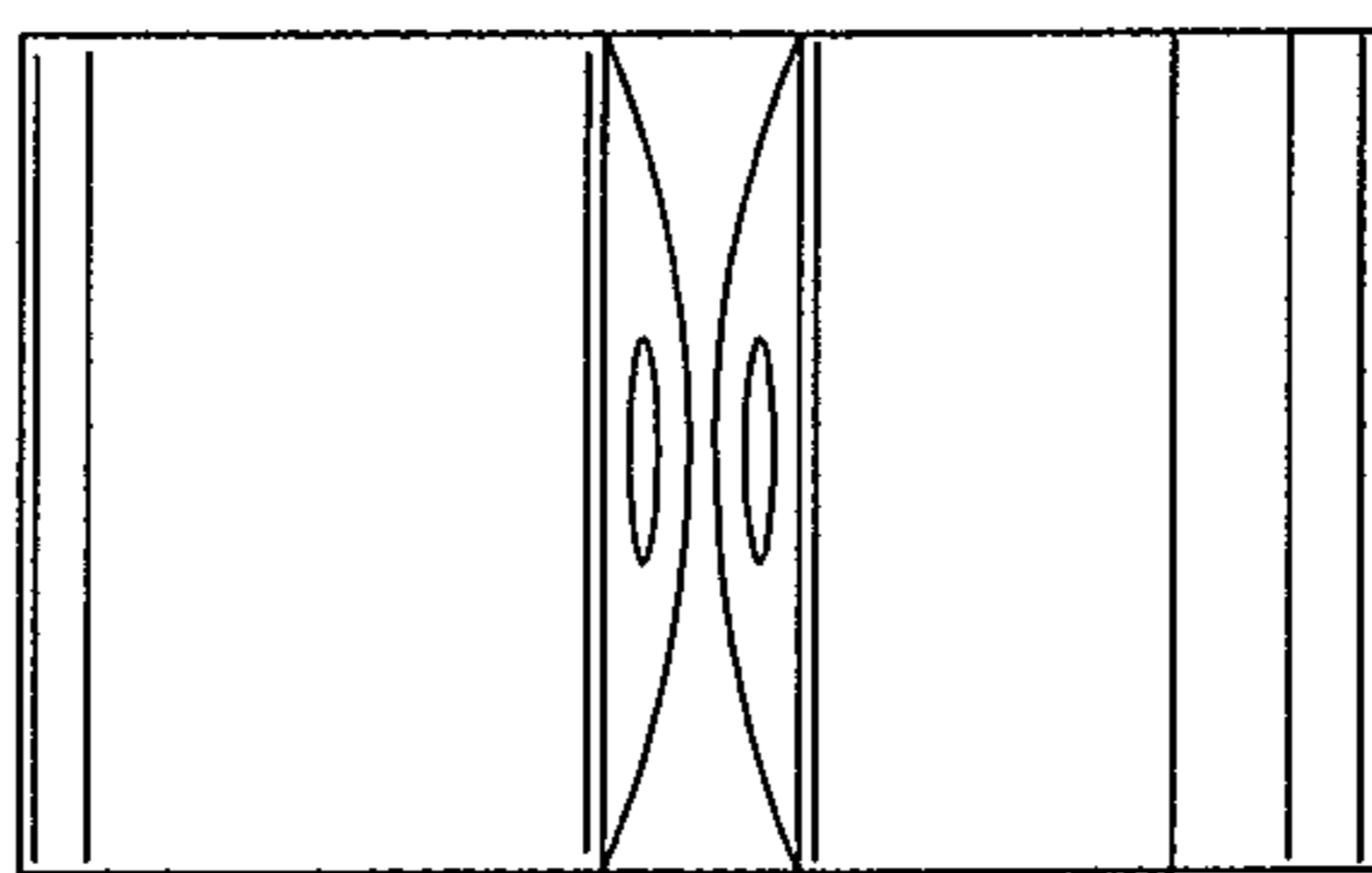


Figure 6

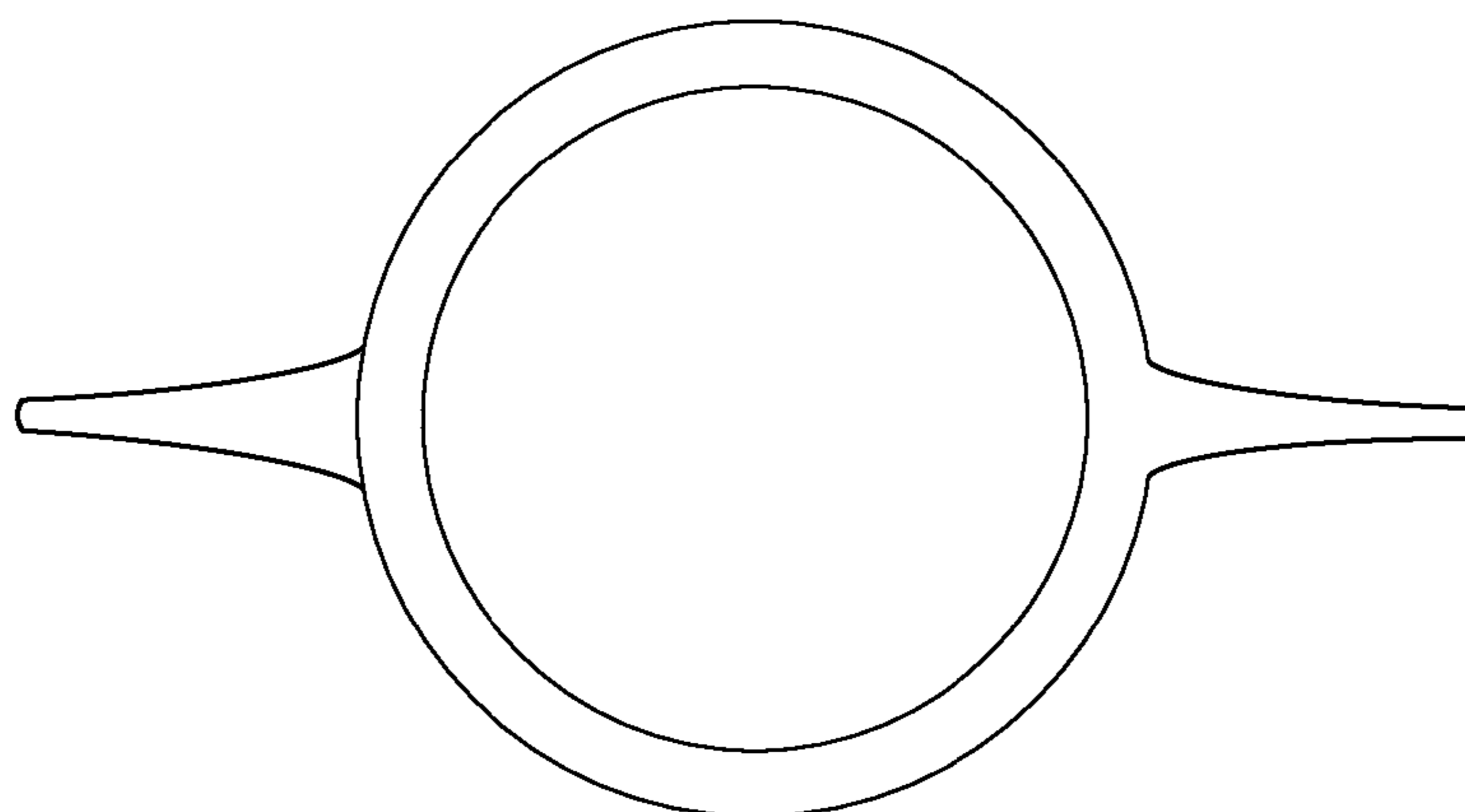


Figure 7

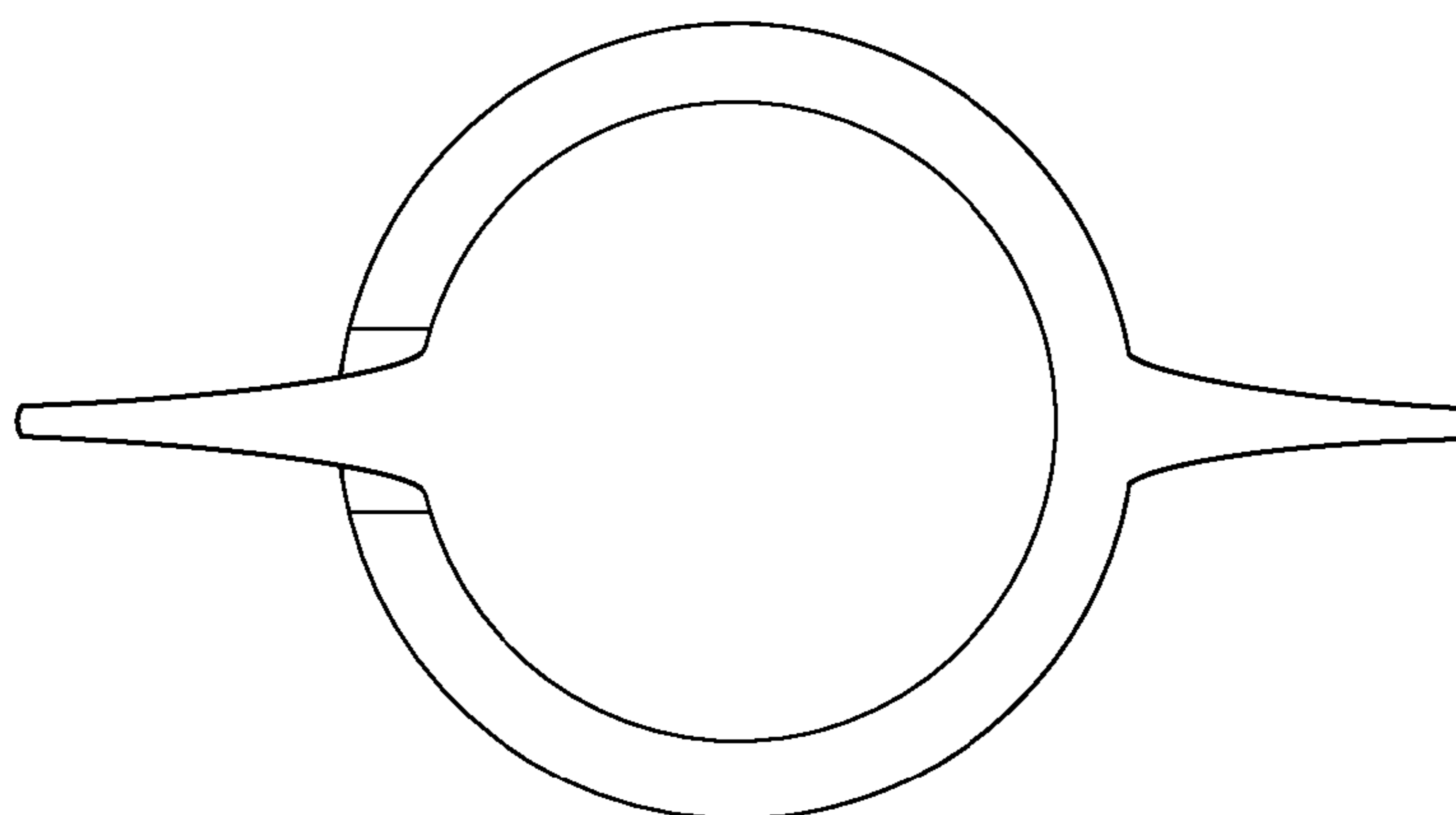


Figure 8

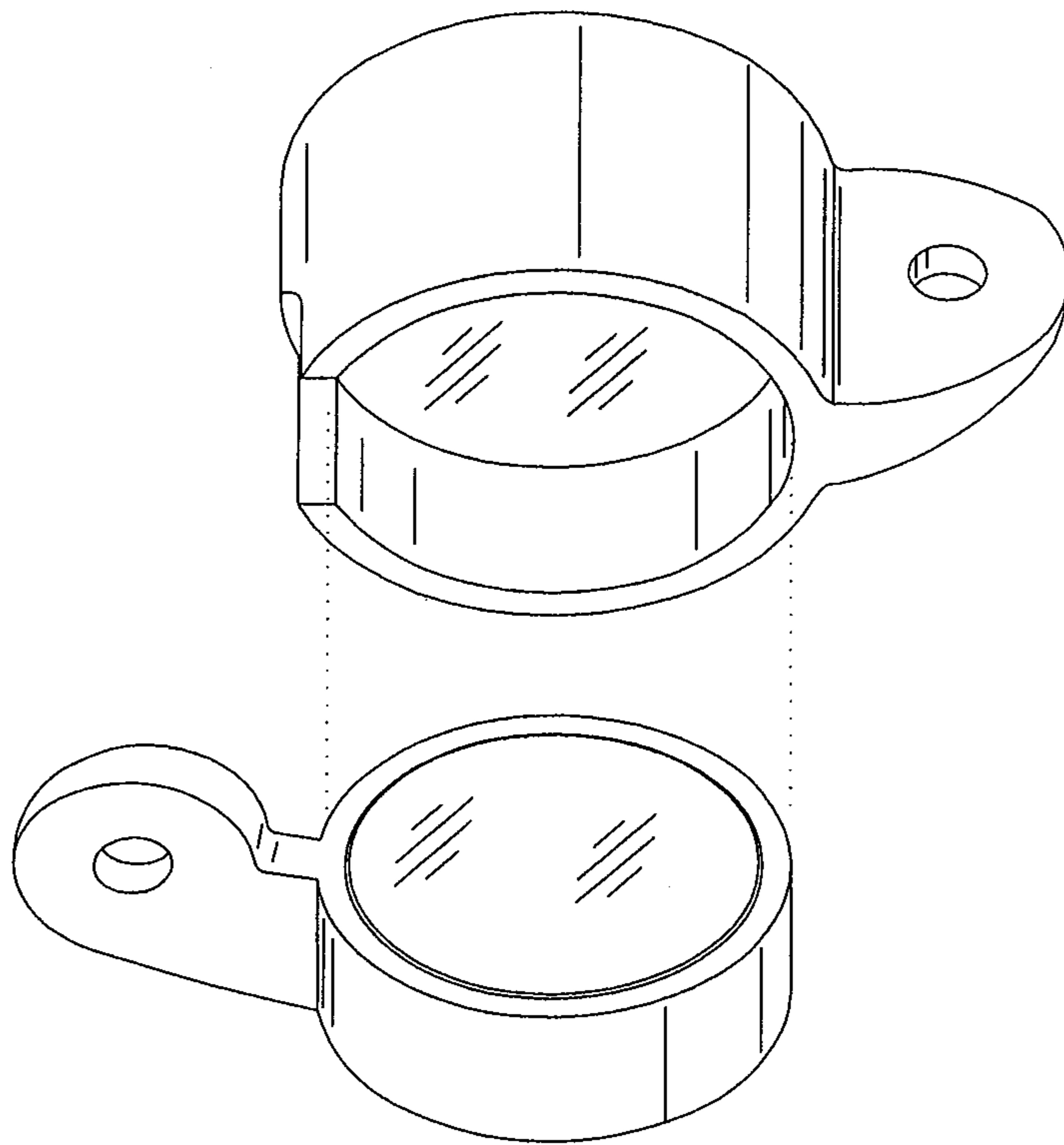


Figure 9