



US00D688148S

(12) **United States Design Patent**
Ten Wolde

(10) **Patent No.:** **US D688,148 S**

(45) **Date of Patent:** **** *Aug. 20, 2013**

(54) **SAFETY/EMERGENCY LIGHTING APPARATUS**

(75) Inventor: **Michel Robert Ten Wolde**, The Hague (NL)

(73) Assignee: **Nodazzle Holding BV**, The Hague (NL)

(*) Notice: This patent is subject to a terminal disclaimer.

(**) Term: **14 Years**

(21) Appl. No.: **29/394,142**

(22) Filed: **Jun. 14, 2011**

(30) **Foreign Application Priority Data**

Dec. 14, 2010 (EM) 001793621-0003

(51) **LOC (9) Cl.** **10-05**

(52) **U.S. Cl.**
USPC **D10/114.2**

(58) **Field of Classification Search**
USPC D10/114.1, 114.2, 114.8, 113.1;
D26/30, 31, 37, 72; 404/9-16; 362/40, 414,
362/431, 308, 327, 183-208
See application file for complete search history.

(56) **References Cited**

U.S. PATENT DOCUMENTS

| | | | | | | |
|--------------|----|---|---------|------------------|-------|---------|
| D226,218 | S | * | 1/1973 | Angibaud | | D26/37 |
| D275,423 | S | * | 9/1984 | Stansbury et al. | | D26/38 |
| D314,243 | S | * | 1/1991 | Ueda | | D26/28 |
| D358,223 | S | * | 5/1995 | Ferrell et al. | | D26/37 |
| D374,492 | S | * | 10/1996 | Coe | | D26/37 |
| D390,678 | S | * | 2/1998 | Matthes | | D26/37 |
| D469,901 | S | * | 2/2003 | Dalton et al. | | D26/37 |
| D552,292 | S | * | 10/2007 | Martineau | | D26/85 |
| 2004/0090774 | A1 | * | 5/2004 | Hsueh | | 362/183 |

* cited by examiner

Primary Examiner — George D Kirschbaum

(74) *Attorney, Agent, or Firm* — Jordan IP Law, LLC; Todd A. Vaughn

(57) **CLAIM**

The ornamental design for a safety/emergency lighting apparatus, as shown.

DESCRIPTION

FIG. 1 illustrates a perspective view of a safety/emergency lighting apparatus.

FIG. 2 illustrates an inverted side plan view thereof.

FIG. 3 illustrates a side elevation view thereof.

FIG. 4 illustrates a top plan view thereof.

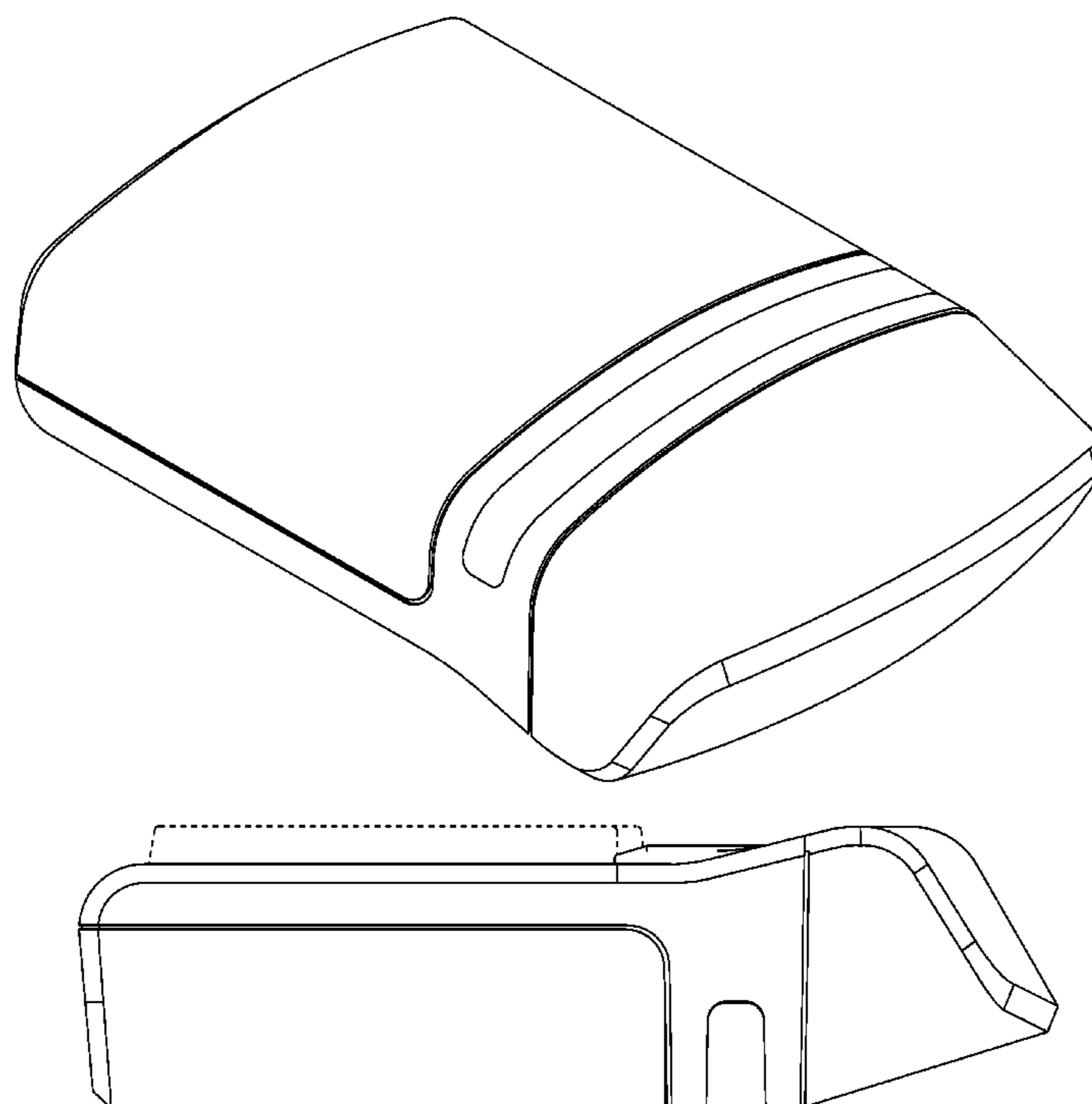
FIG. 5 illustrates an opposite side plan view thereof.

FIG. 6 illustrates a bottom plan view thereof; and,

FIG. 7 illustrates a side plan view thereof.

The broken line showing of openings and bottom central edge of the design is included for the purpose of illustrating portions of the “article” and forms no part of the claimed design.

1 Claim, 7 Drawing Sheets



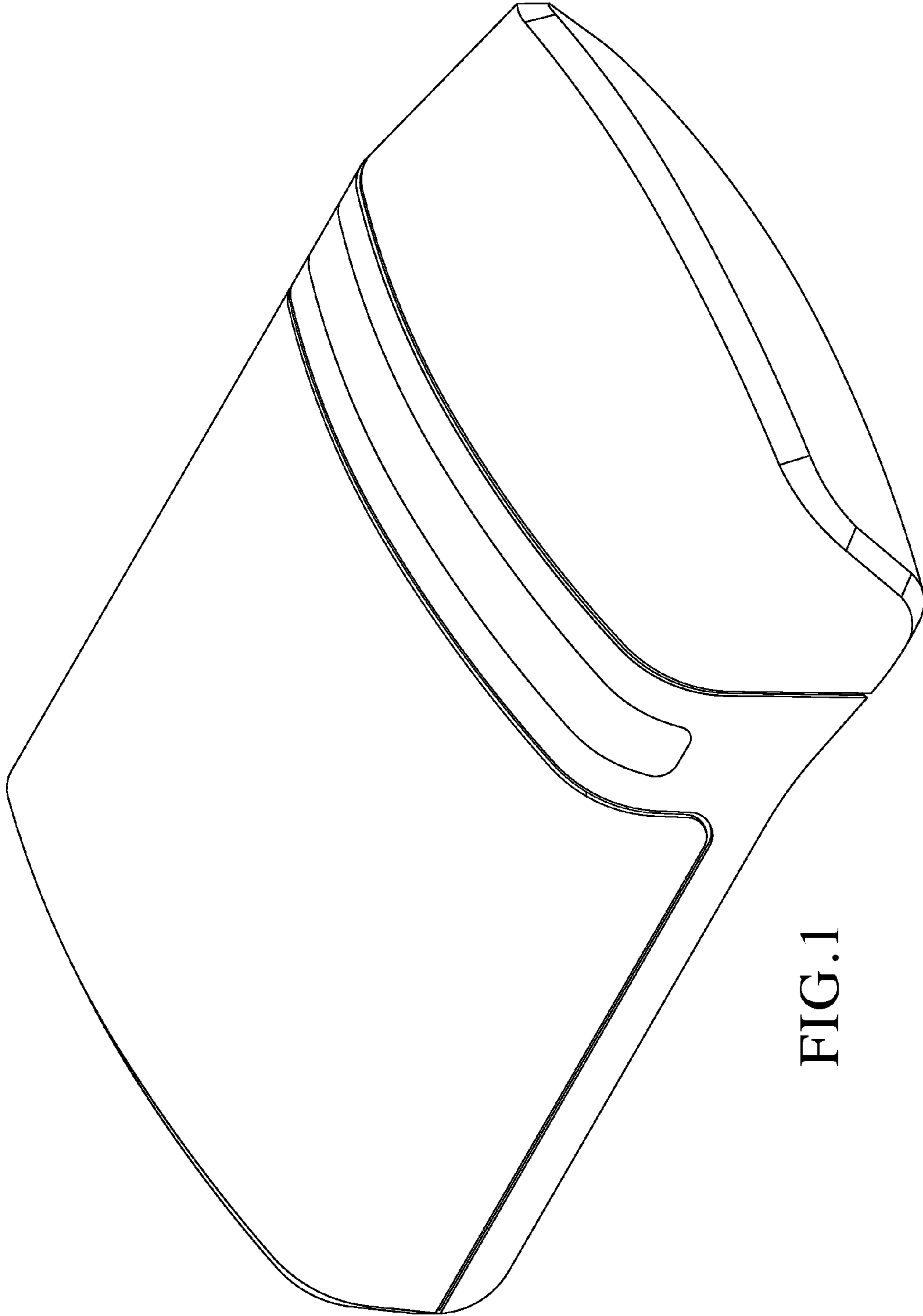


FIG. 1

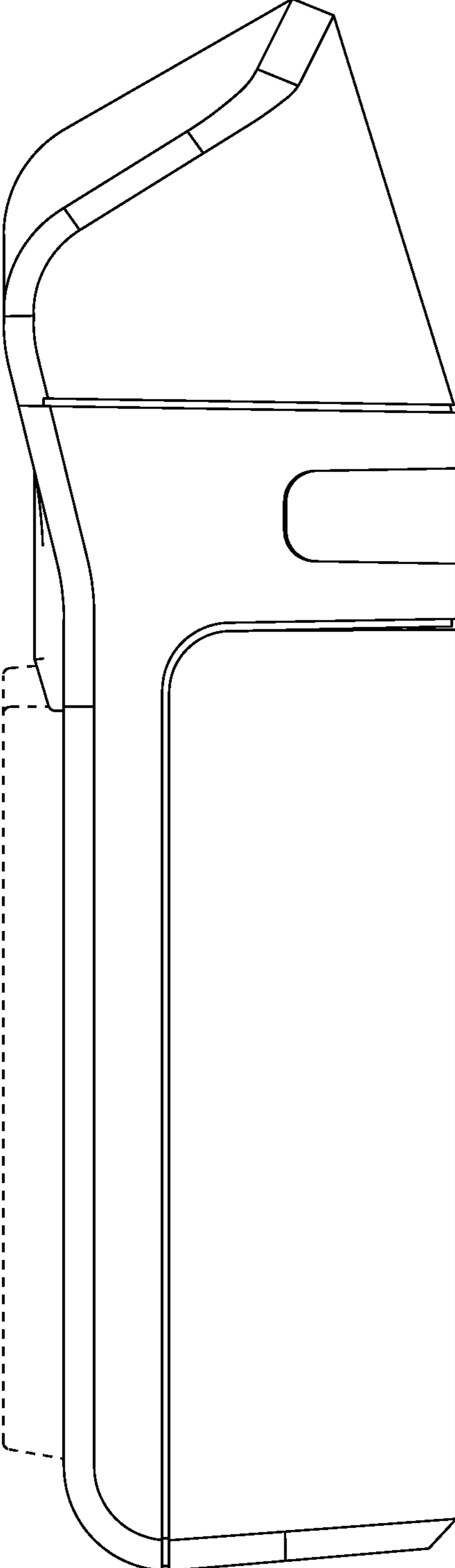


FIG. 2

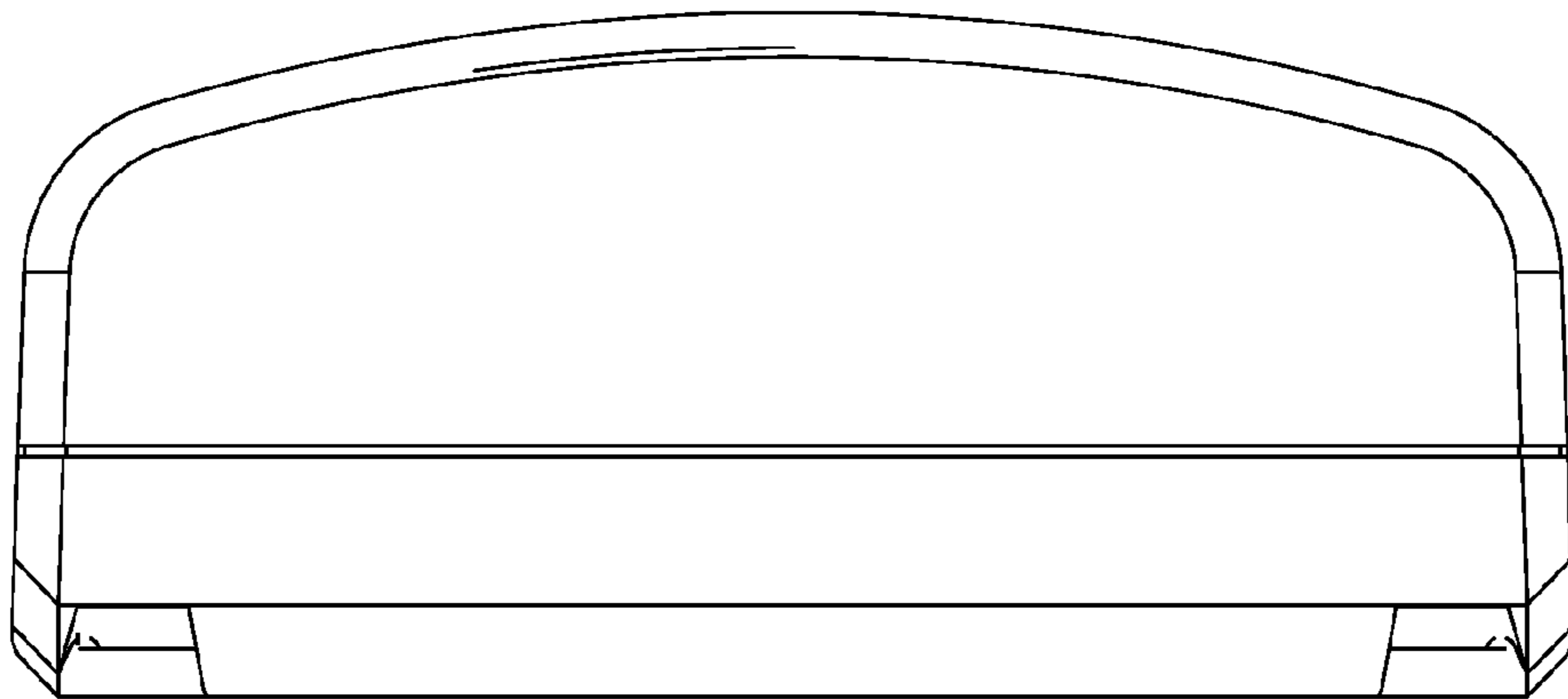


FIG. 3

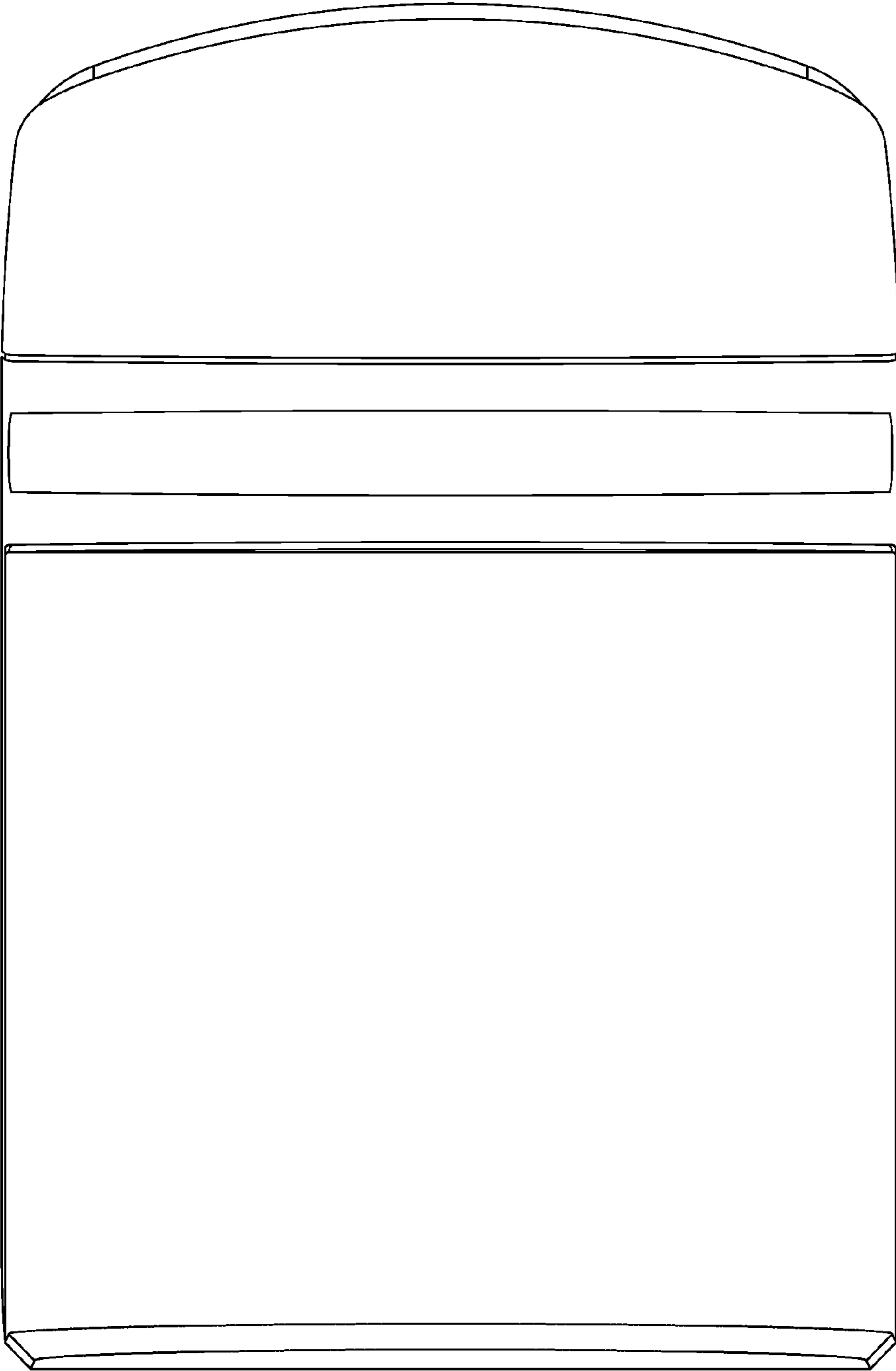


FIG. 4

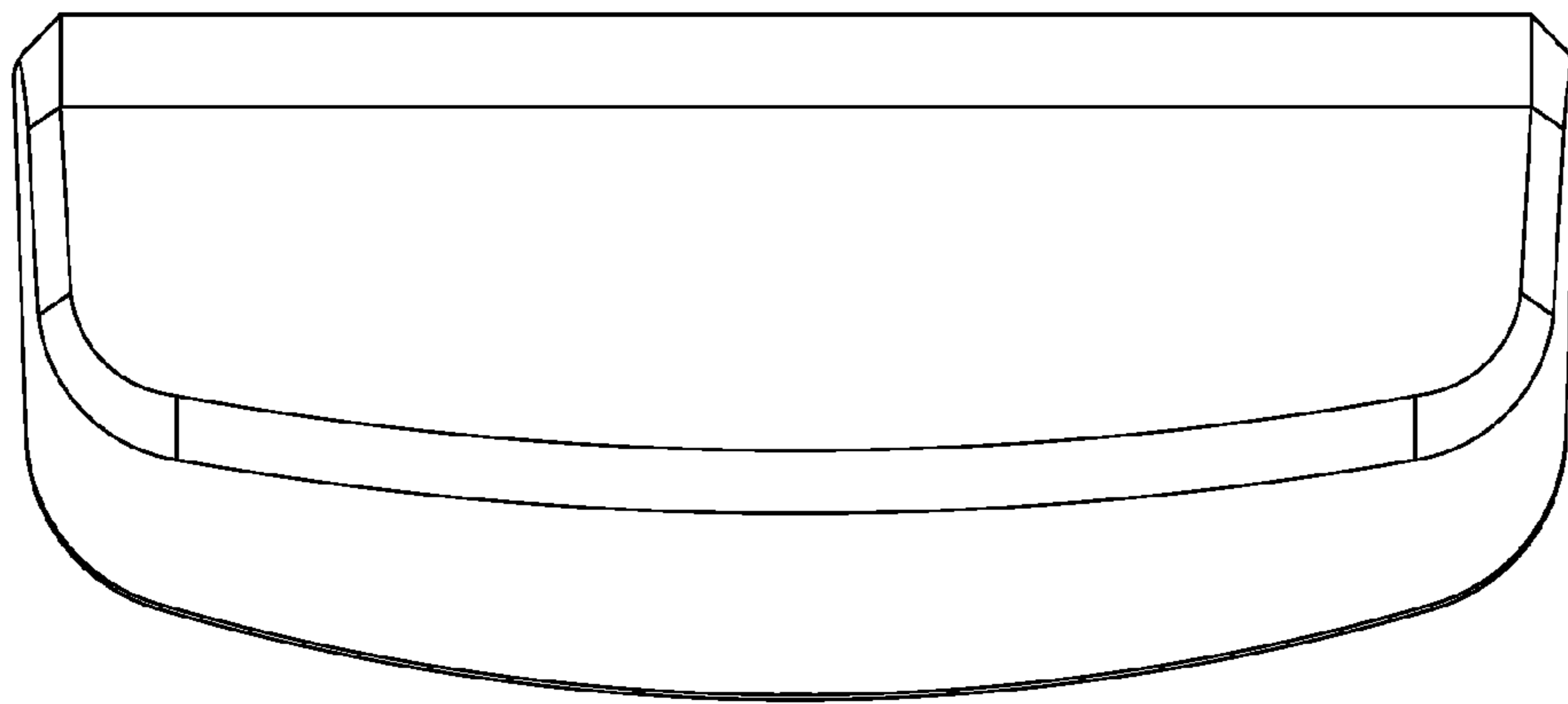


FIG. 5

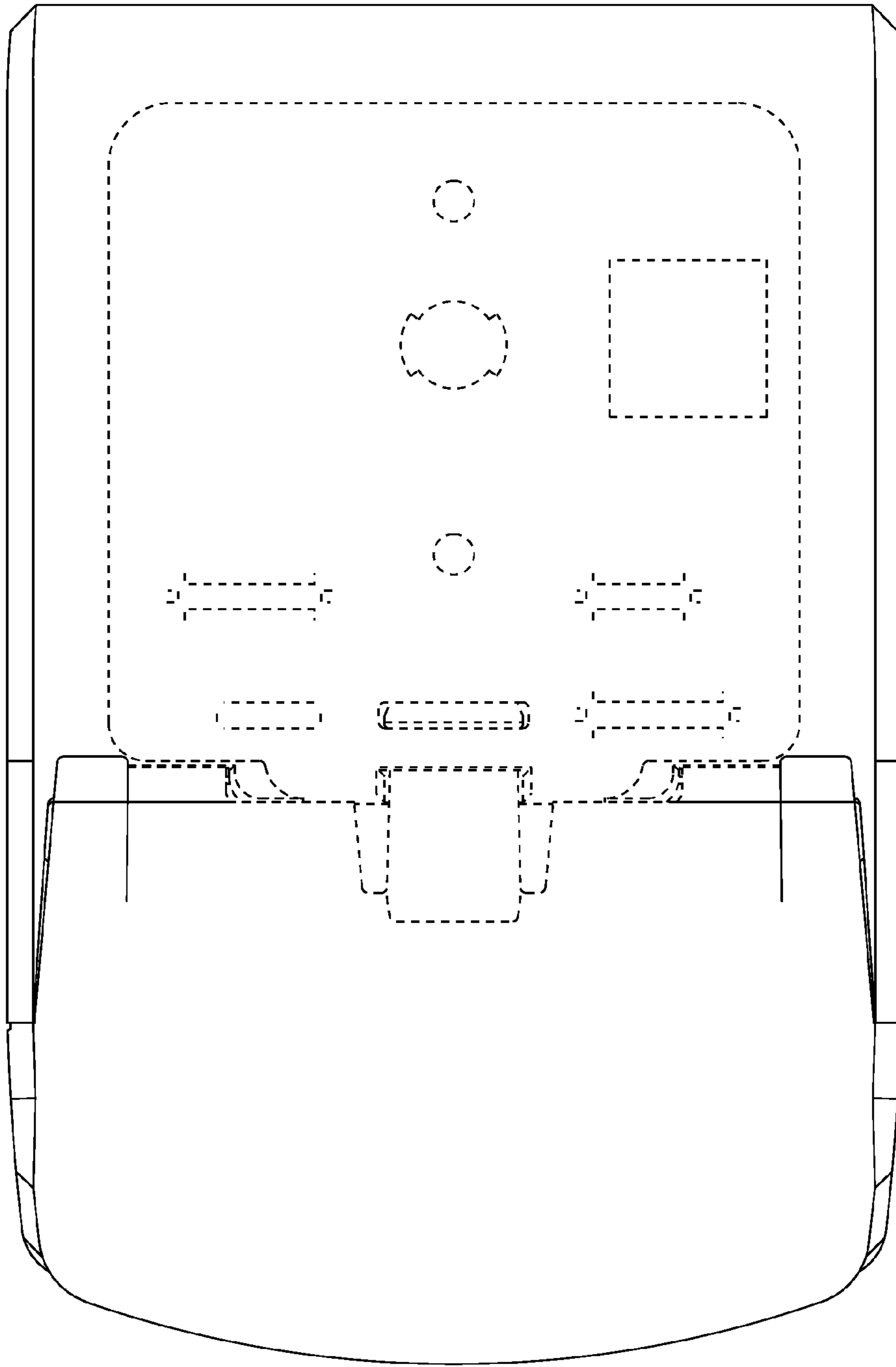


FIG.6

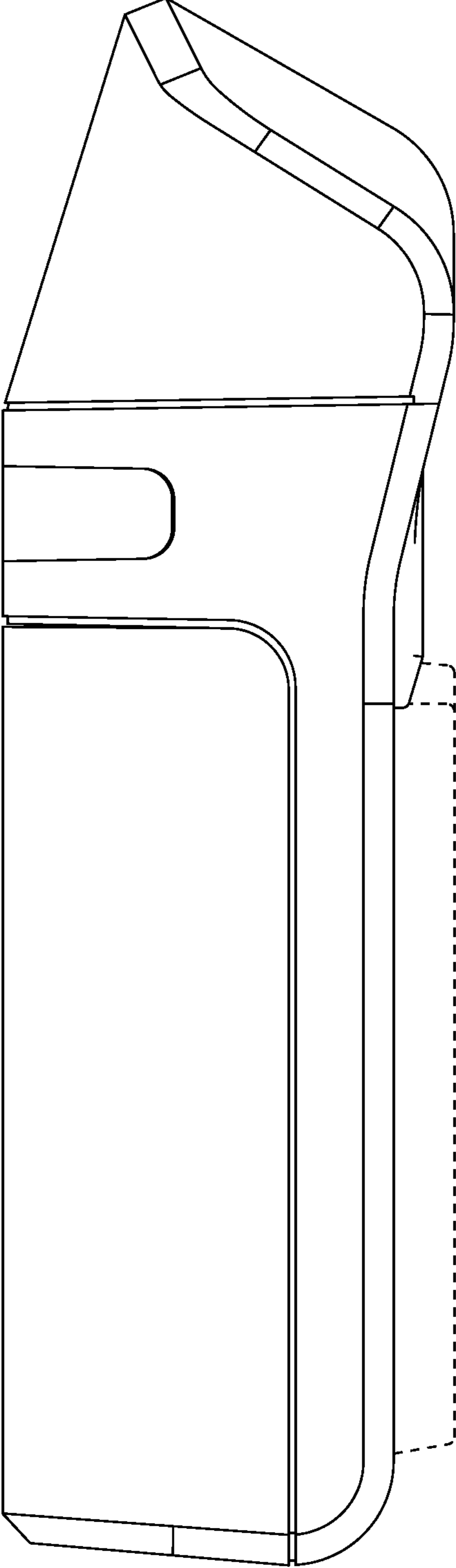


FIG. 7