



US00D688147S

(12) **United States Design Patent**
Wagstaff et al.

(10) **Patent No.:** **US D688,147 S**

(45) **Date of Patent:** **** Aug. 20, 2013**

(54) **DIP GAUGE**

D529,828 S * 10/2006 Aspengren et al. D10/71
2004/0055168 A1 3/2004 Allen
2008/0067719 A1 3/2008 Schlummer et al.

(75) Inventors: **Lee Wagstaff**, Bristol (GB); **Lee Bradbury**, Bristol (GB); **Gareth Towlson**, Bristol (GB)

FOREIGN PATENT DOCUMENTS

GB 1436521 A 5/1976
GB 2276454 A 9/1994

(73) Assignee: **Airbus Operations Limited**, Bristol (GB)

OTHER PUBLICATIONS

Search Report corresponding to GB1121836.9, dated Apr. 19, 2012.
“Hi-Lok” Installation Tools Catalogue, Omega Industries, Inc., Westlake Village, CA (2001).
“Huck” dip gauge photograph.

(**) Term: **14 Years**

* cited by examiner

(21) Appl. No.: **29/424,285**

(22) Filed: **Jun. 11, 2012**

Primary Examiner — Antoine D Davis

(51) **LOC (9) Cl.** **10-04**

(52) **U.S. Cl.**

(74) *Attorney, Agent, or Firm* — Lowe Hauptman Ham & Berner, LLP

USPC **D10/101**; D10/64; D10/71

(58) **Field of Classification Search**

USPC D10/57, 71, 101; 33/483–485, 494,
33/722–730, 719, 731, 836

See application file for complete search history.

(57) **CLAIM**

The ornamental design for a dip gauge, as shown and described.

DESCRIPTION

(56) **References Cited**

U.S. PATENT DOCUMENTS

2,303,651 A * 12/1942 Mason 408/116
3,722,102 A * 3/1973 Jackson et al. 33/731
3,934,352 A 1/1976 Quenot
4,033,043 A 7/1977 Cunningham
4,216,585 A 8/1980 Hatter
5,033,200 A * 7/1991 Leung 33/485
5,390,427 A 2/1995 Heller et al.
5,461,795 A 10/1995 Kok
6,253,771 B1 * 7/2001 McClaine 132/200
D483,279 S * 12/2003 Sandler et al. D10/64
6,966,121 B2 * 11/2005 Bolle 33/494

FIG. 1 is a perspective view of a dip gauge in accordance with the design;

FIG. 2 is a front view of the dip gauge of FIG. 1;

FIG. 3 is a back view of the dip gauge of FIG. 1;

FIG. 4 is a right view of the dip gauge of FIG. 1;

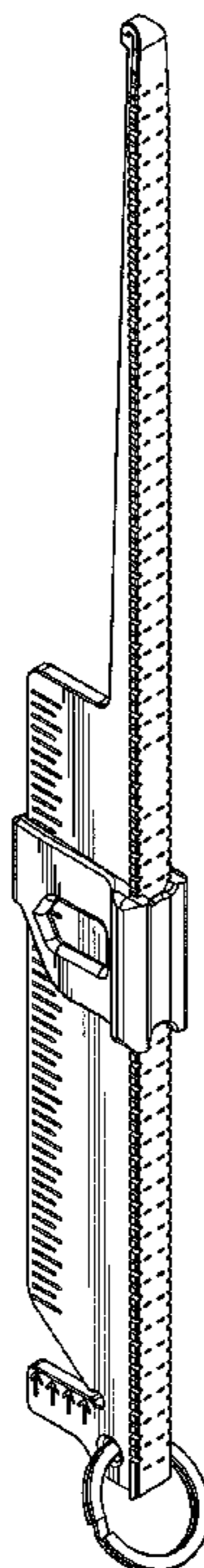
FIG. 5 is a left view of the dip gauge of FIG. 1;

FIG. 6 is a top view of the dip gauge of FIG. 1;

FIG. 7 is a bottom view of the dip gauge of FIG. 1; and,

FIG. 8 is front view similar to FIG. 1, showing the sliding indicator in a different position.

1 Claim, 5 Drawing Sheets



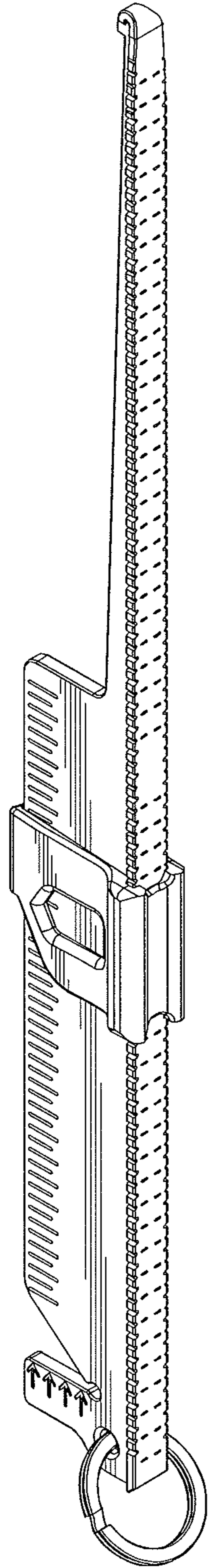


FIG. 1

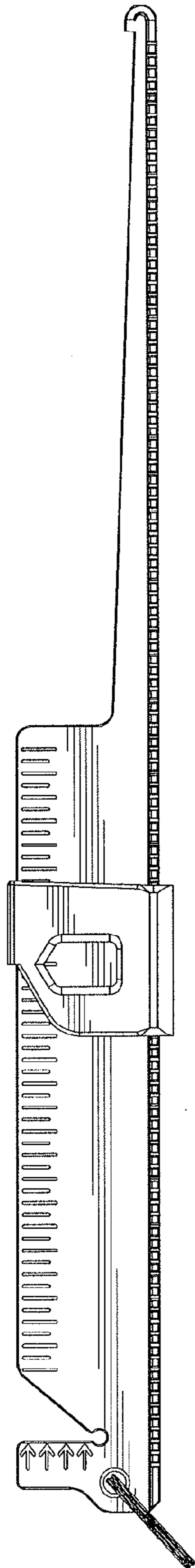


FIG. 2

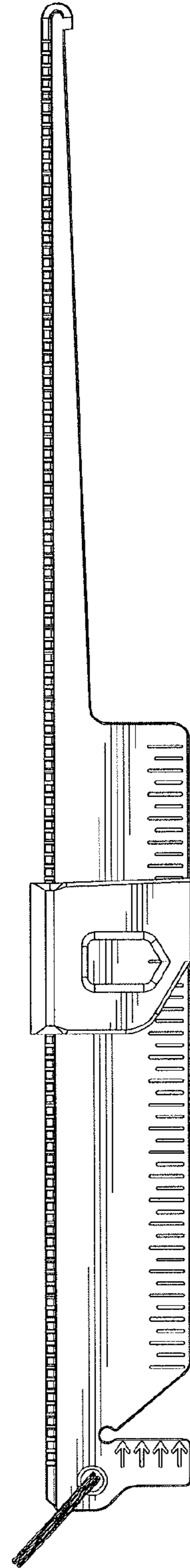


FIG. 3

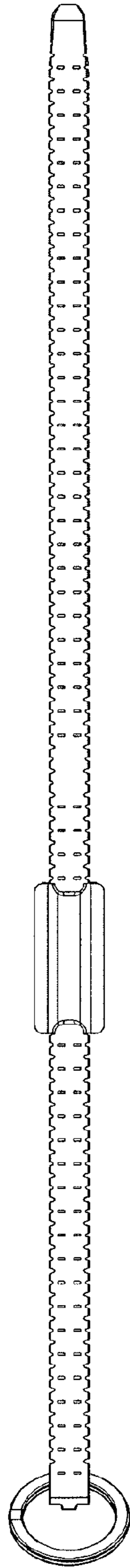


FIG. 4

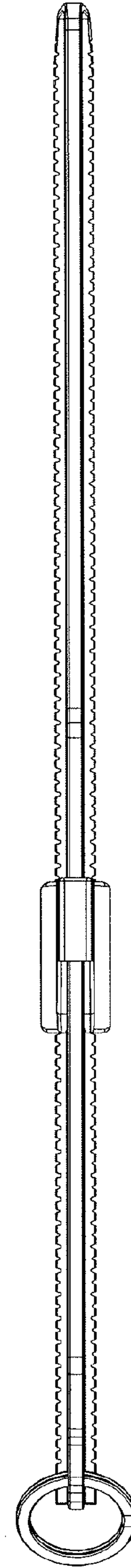


FIG. 5

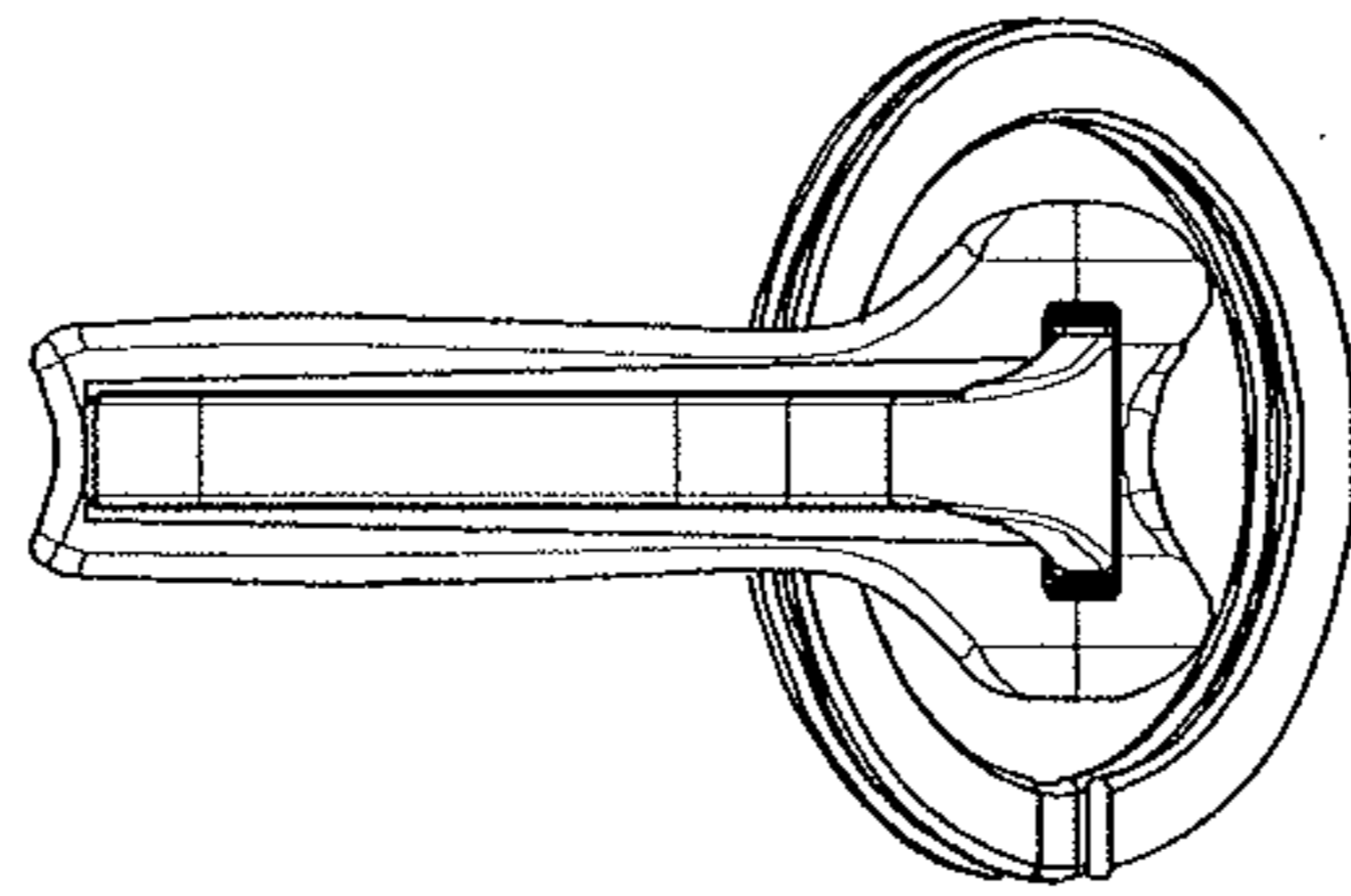


FIG. 6

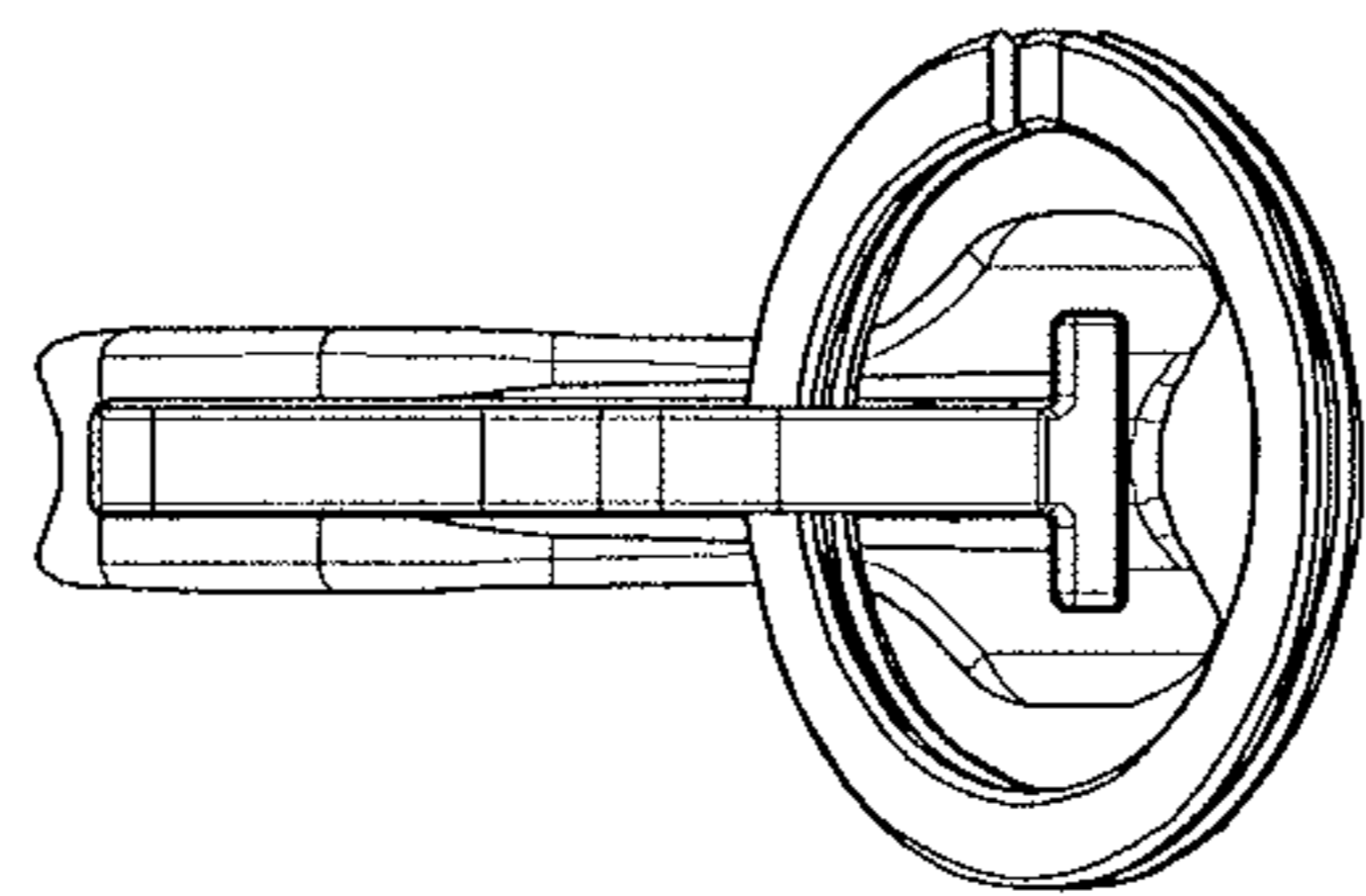


FIG. 7

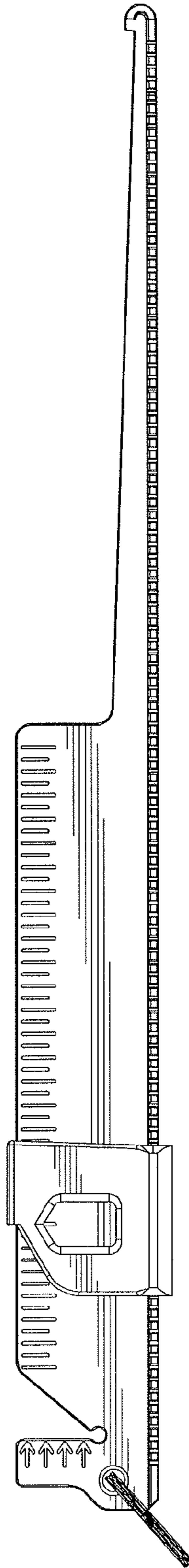


FIG. 8