



US00D688145S

(12) **United States Design Patent**
Tierney et al.

(10) **Patent No.:** **US D688,145 S**

(45) **Date of Patent:** **** Aug. 20, 2013**

(54) **CURRENT MEASUREMENT TOOL**

(75) Inventors: **Sean Patrick Tierney**, Milwaukie, OR (US); **Michael John Kane**, Portland, OR (US); **David Lauren Wheaton**, Sherwood, OR (US)

(73) Assignee: **Universal Enterprises, Incorporated**, Beaverton, OR (US)

(**) Term: **14 Years**

(21) Appl. No.: **29/426,155**

(22) Filed: **Jul. 1, 2012**

Related U.S. Application Data

(62) Division of application No. 29/385,379, filed on Feb. 13, 2011, now Pat. No. Des. 666,515.

(51) **LOC (9) Cl.** **10-04**

(52) **U.S. Cl.**
USPC **D10/79**

(58) **Field of Classification Search**
USPC D10/79, 80; 324/72.5, 556, 133, 324/149, 503, 543, 555, 66, 72, 754, 115, 324/141, 116; 340/635, 687
See application file for complete search history.

(56) **References Cited**

U.S. PATENT DOCUMENTS

D261,738 S * 11/1981 Shumway D10/80
6,459,252 B1 * 10/2002 Bierer 324/72.5
7,570,045 B2 * 8/2009 Wolfe et al. 324/127

* cited by examiner

Primary Examiner — Antoine D Davis

(74) *Attorney, Agent, or Firm* — J. Douglas Wells

(57) **CLAIM**

The ornamental design for a current measurement tool, as shown and described.

DESCRIPTION

FIG. 1 is a perspective view of a first embodiment of a current measurement tool, showing my new design, and lined for the color black;

FIG. 2 is a front elevation view of the tool shown in FIG. 1;

FIG. 3 is a rear elevation view of the tool shown in FIG. 1;

FIG. 4 is a top plan view of the tool shown in FIG. 1;

FIG. 5 is a right side view of the tool shown in FIG. 1;

FIG. 6 is a bottom plan view of the hook meter shown in FIG. 1;

FIG. 7 is a left side view of the tool shown in FIG. 1;

FIG. 8 is a perspective view of a second embodiment of a current measurement tool, showing my new design, and lined for the color black, wherein the shaded areas represent a contrasted color of a current measurement tool, the contrasted color being non-black but otherwise not representing a specific color or color combination;

FIG. 9 is a front elevation view of the tool shown in FIG. 8;

FIG. 10 is a rear elevation view of the tool shown in FIG. 8;

FIG. 11 is a top plan view of the tool shown in FIG. 8;

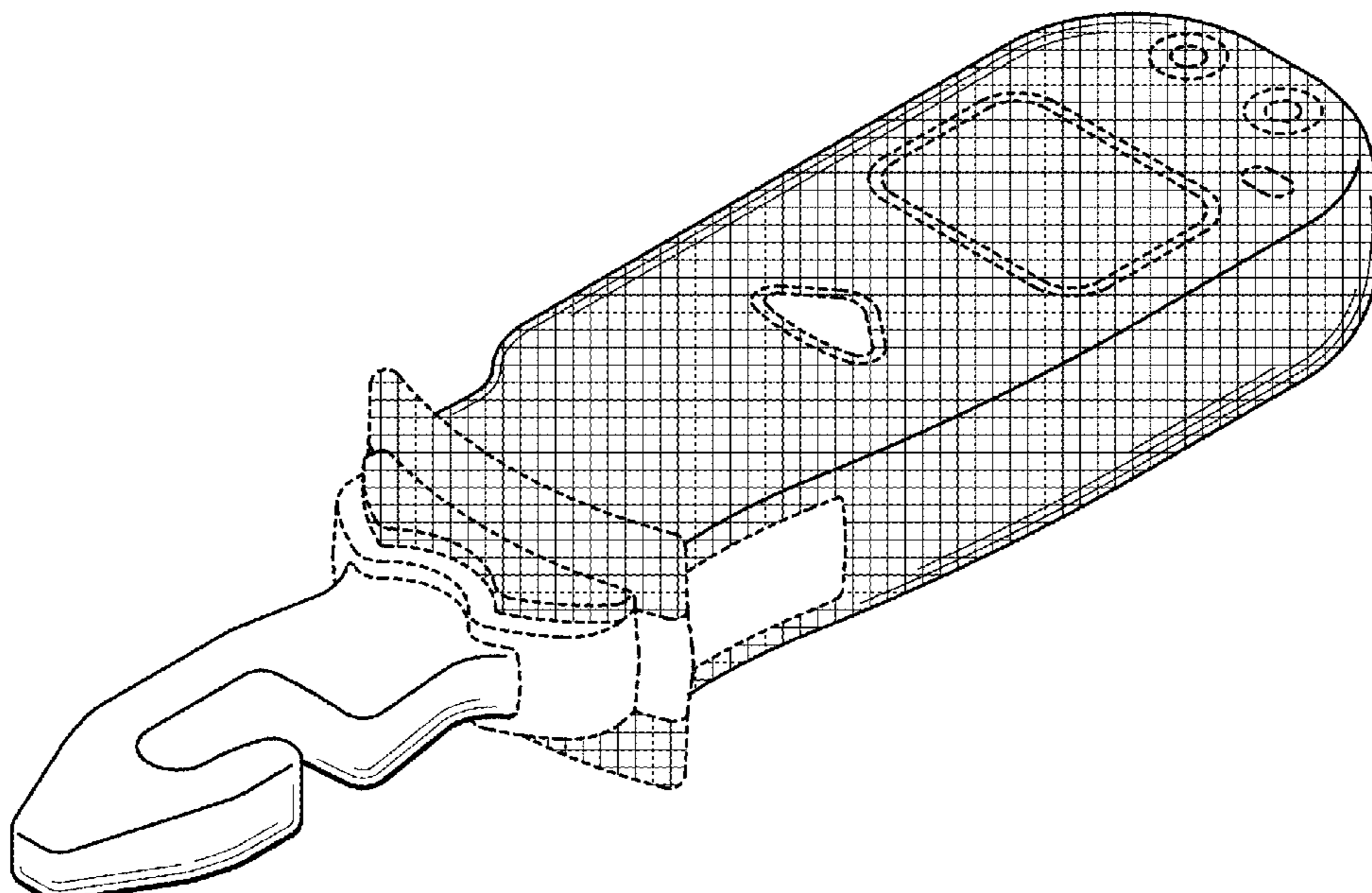
FIG. 12 is a right side view of the tool shown in FIG. 8;

FIG. 13 is a bottom plan view of the tool shown in FIG. 8; and,

FIG. 14 is a left side view of the tool shown in FIG. 8.

The broken lines shown throughout the drawing views are for illustrative purposes only and form no part of the claimed design.

1 Claim, 6 Drawing Sheets



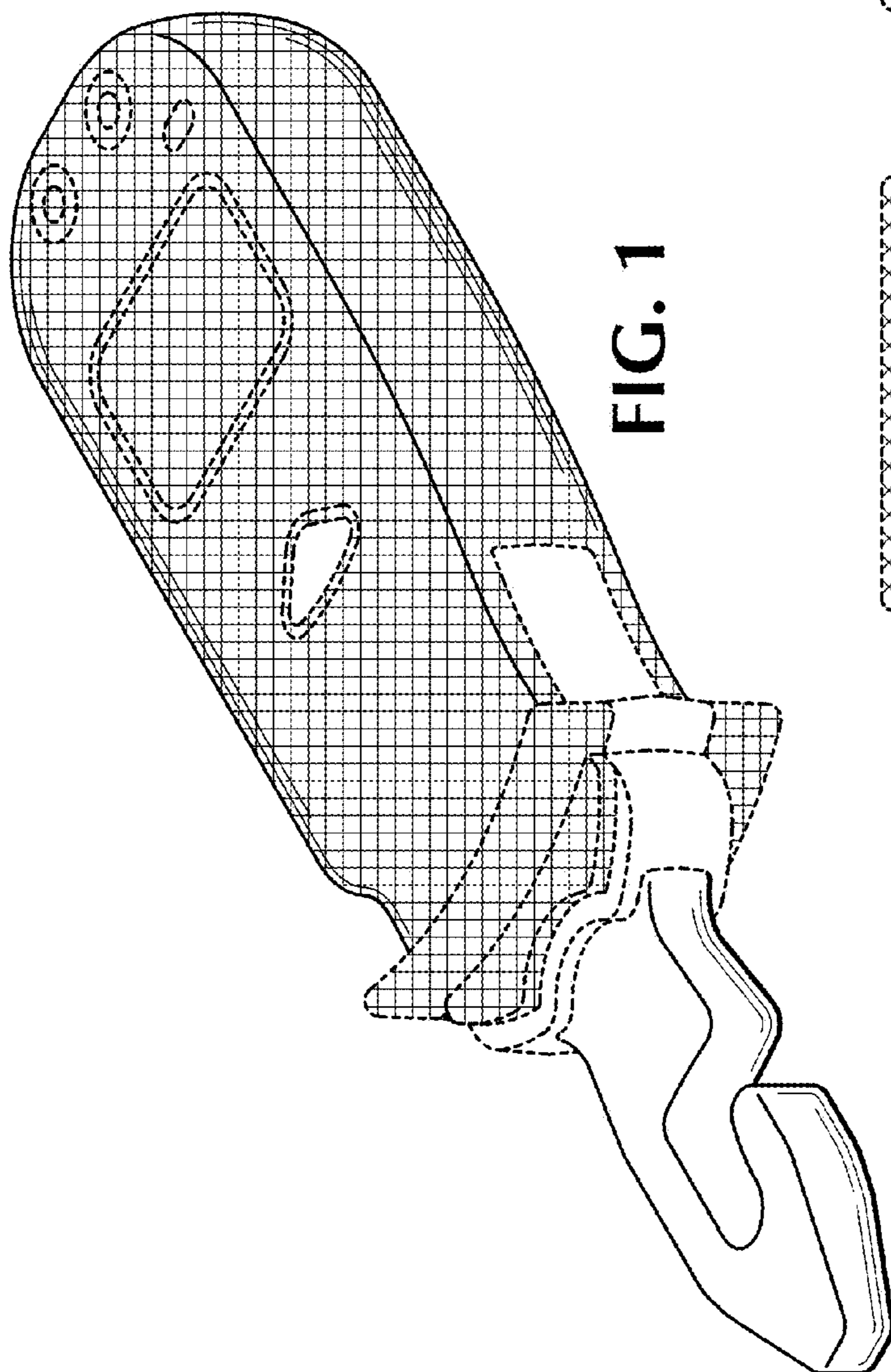


FIG. 1

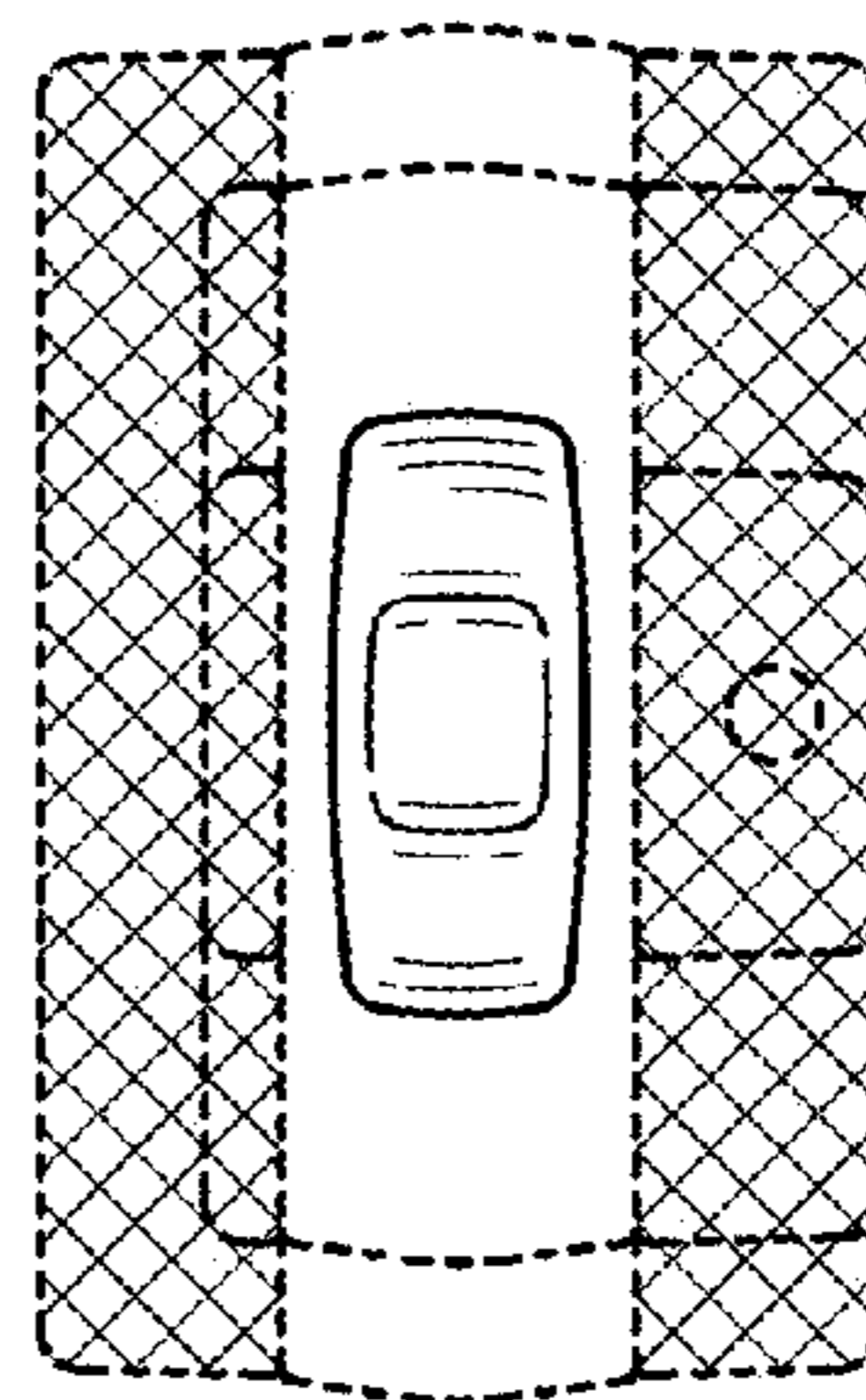


FIG. 2

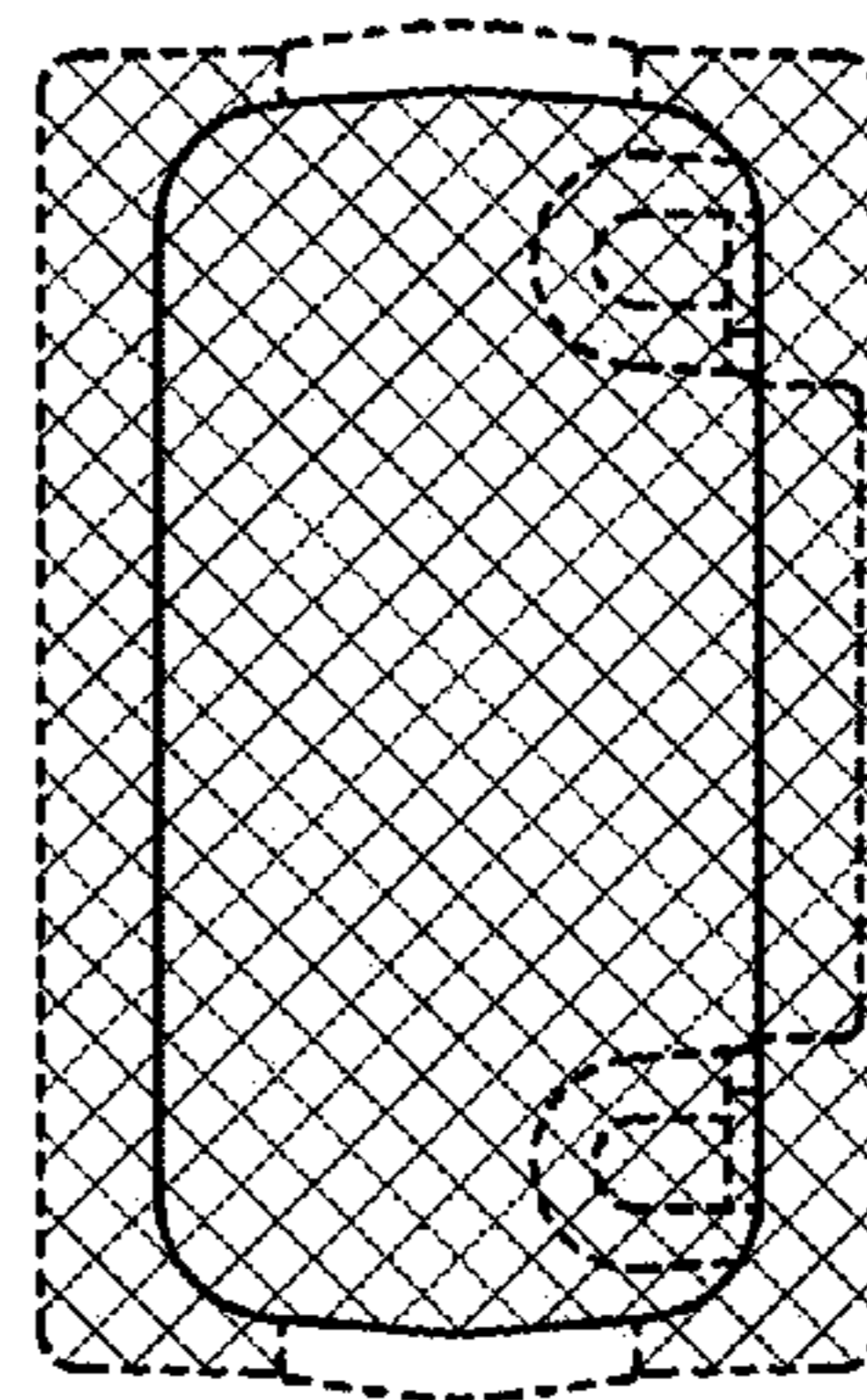


FIG. 3

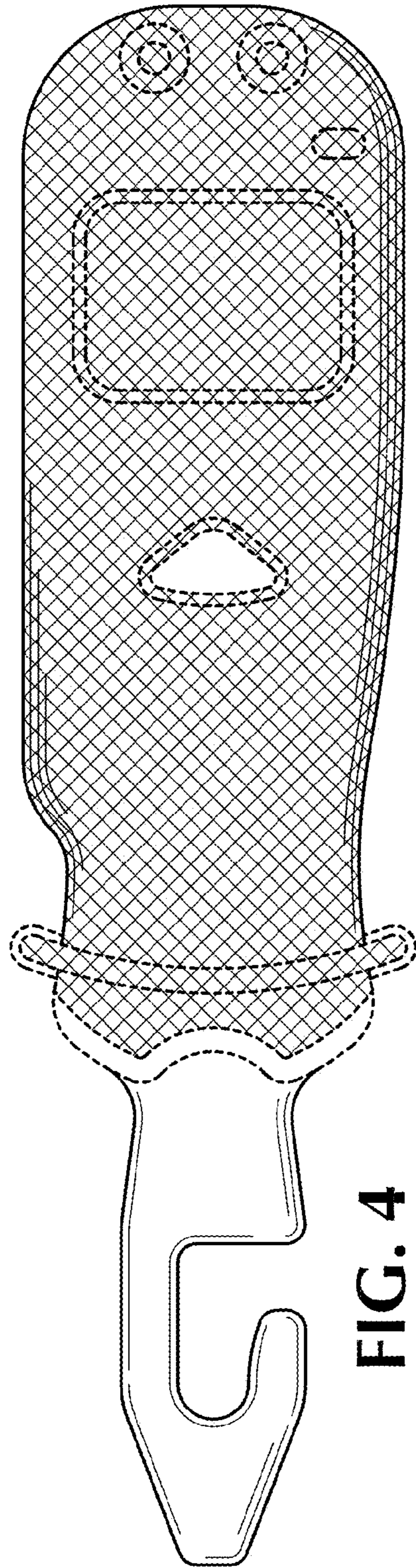


FIG. 4

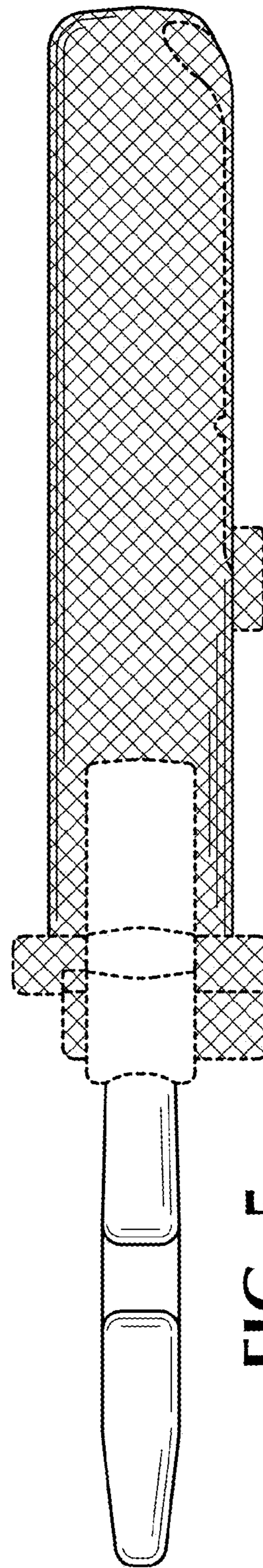


FIG. 5

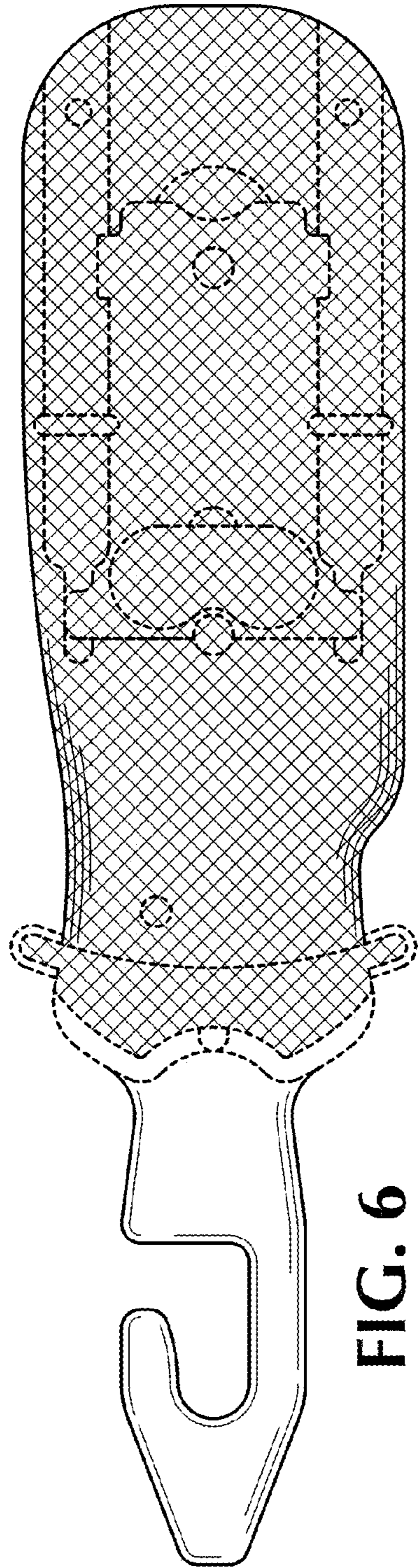


FIG. 6

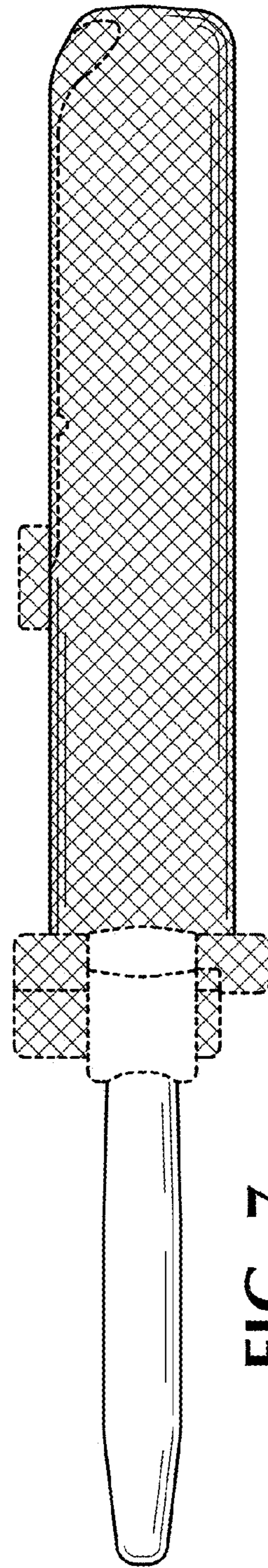


FIG. 7

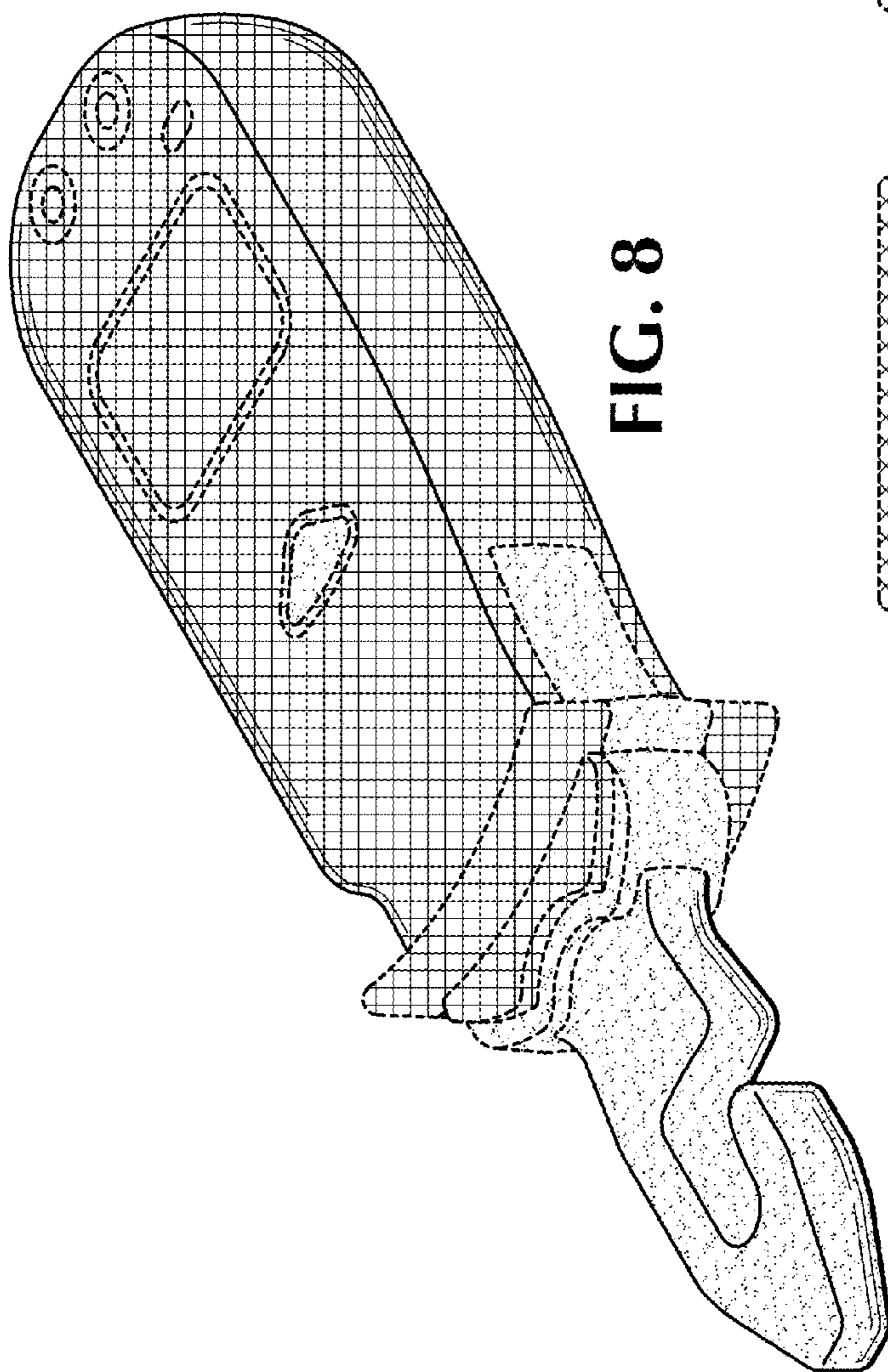


FIG. 8

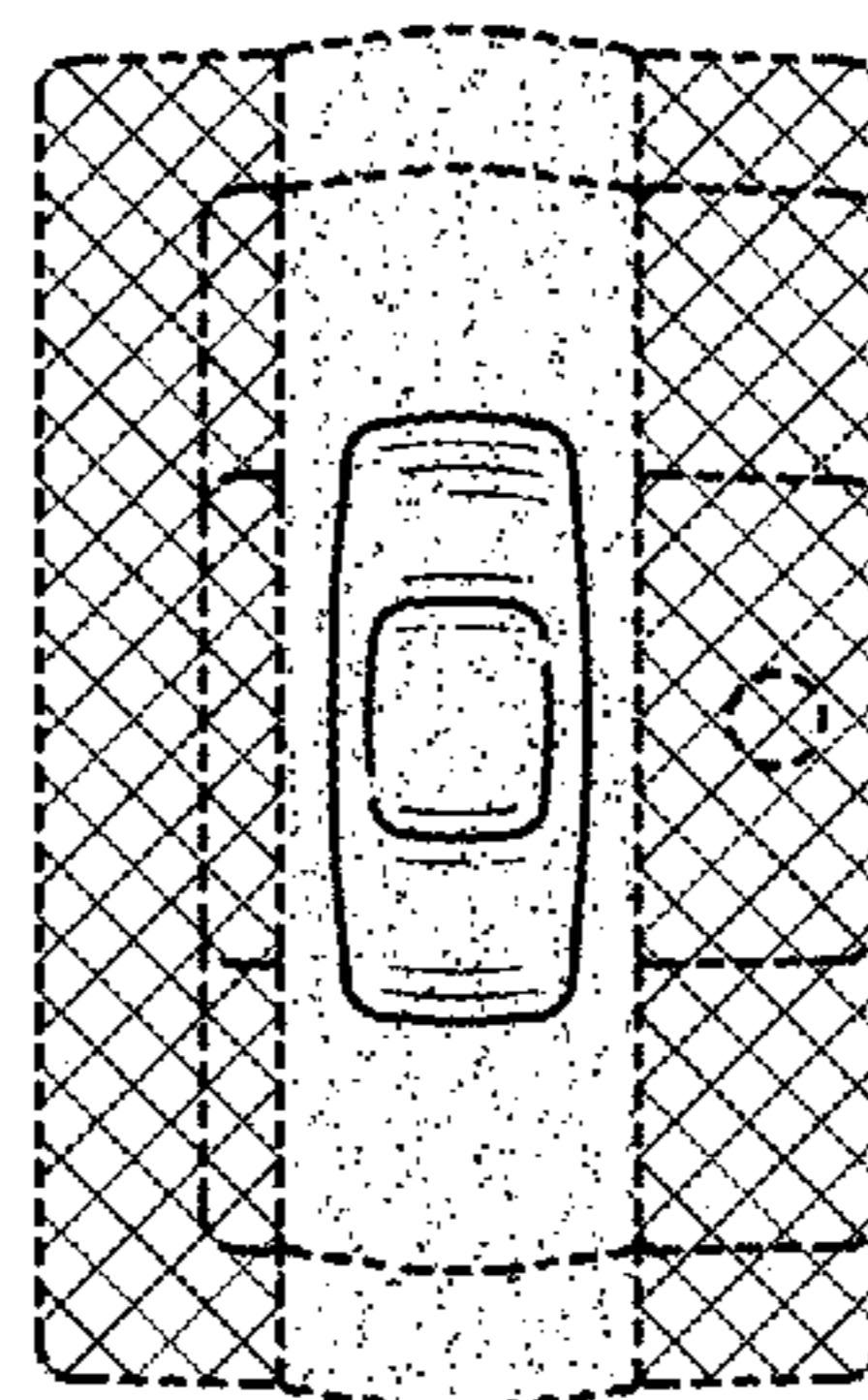


FIG. 9

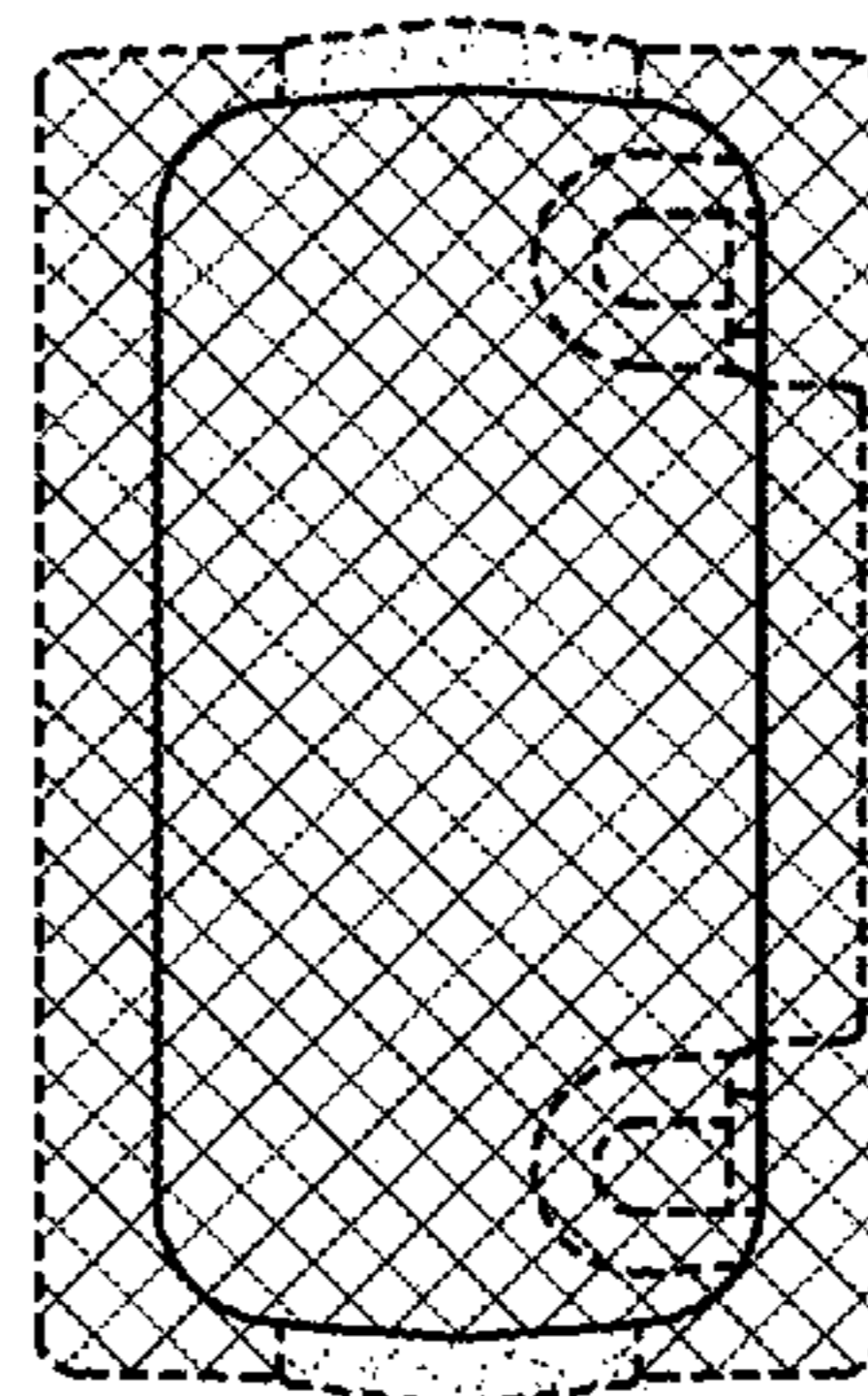


FIG. 10

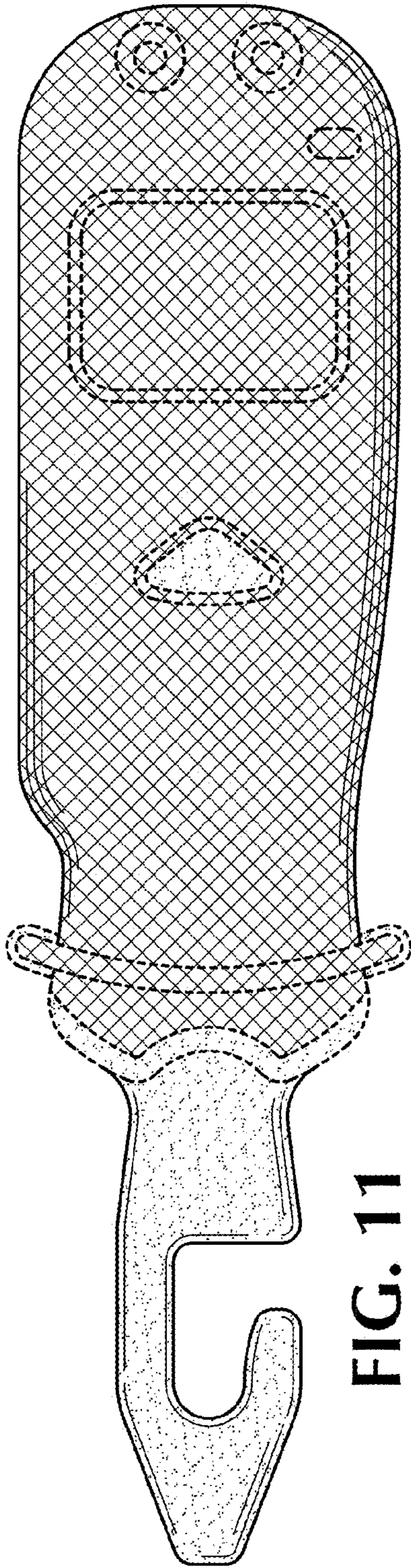


FIG. 11

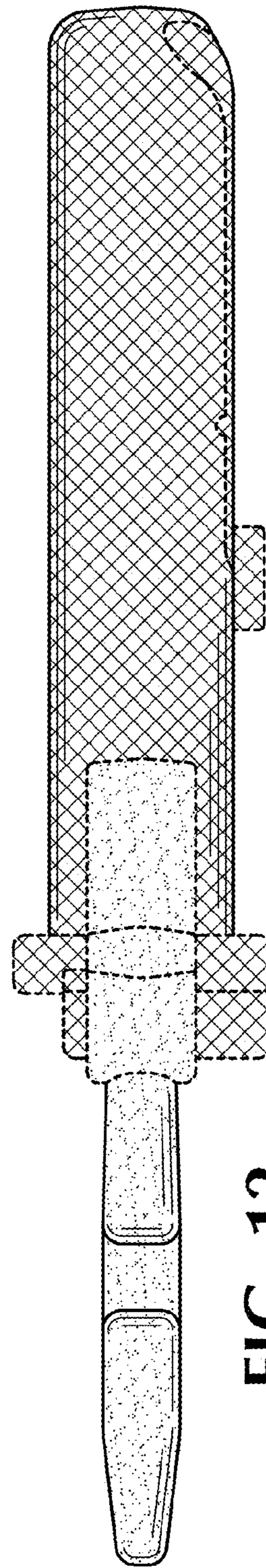


FIG. 12

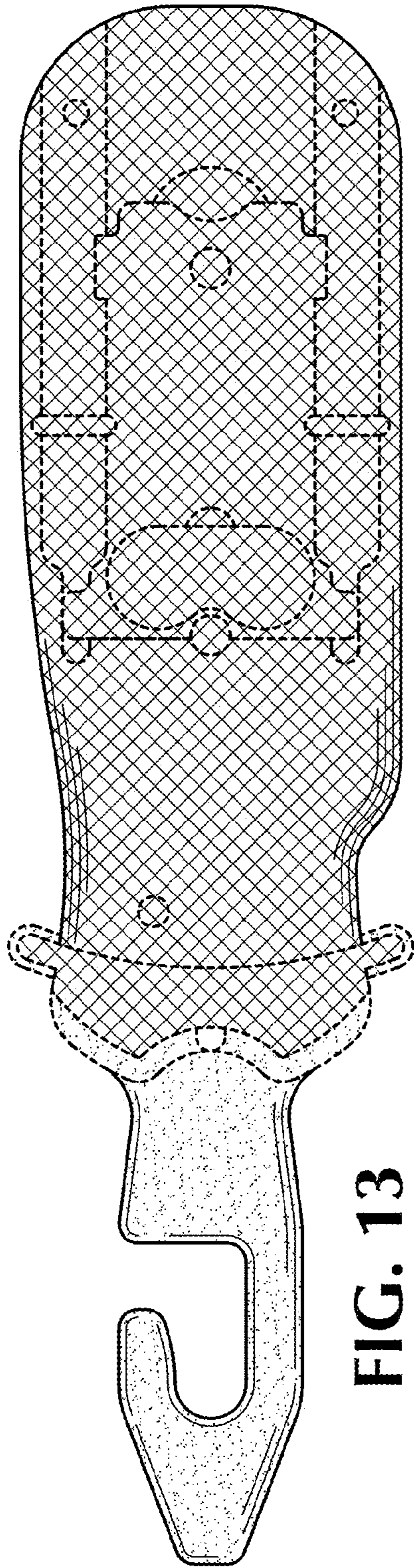


FIG. 13

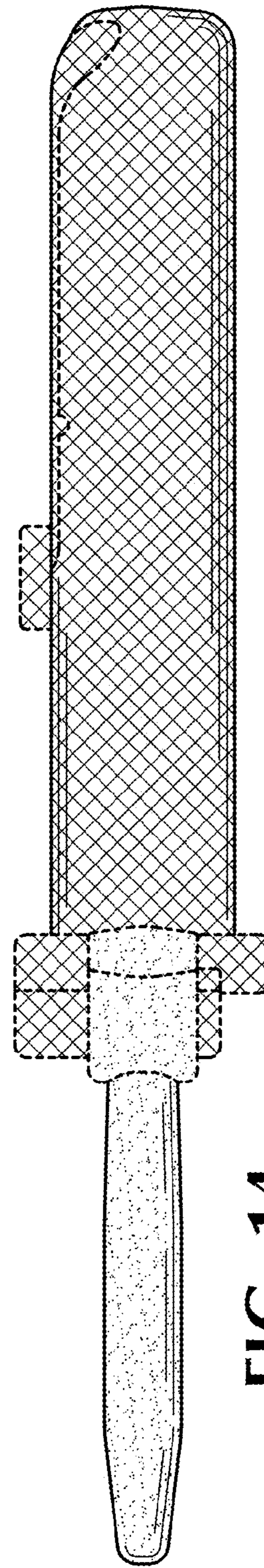


FIG. 14