



US00D688143S

(12) **United States Design Patent**  
**Onuma**

(10) **Patent No.:** **US D688,143 S**

(45) **Date of Patent:** **\*\* Aug. 20, 2013**

(54) **CURRENT SENSOR**

(71) Applicant: **Ikuo Onuma**, Tama (JP)

(72) Inventor: **Ikuo Onuma**, Tama (JP)

(73) Assignee: **Mitsumi Electric Co., Ltd**, Tokyo (JP)

(\*\*) Term: **14 Years**

(21) Appl. No.: **29/444,022**

(22) Filed: **Jan. 25, 2013**

(30) **Foreign Application Priority Data**

Nov. 6, 2012 (JP) ..... 2012-027071

(51) **LOC (9) Cl.** ..... **10-04**

(52) **U.S. Cl.**  
USPC ..... **D10/75**

(58) **Field of Classification Search**  
USPC ..... D10/75, 78; 324/117 H, 117 R,  
324/96, 126, 207.2, 225, 252, 750.3

See application file for complete search history.

(56) **References Cited**

U.S. PATENT DOCUMENTS

7,265,531 B2 \* 9/2007 Stauth et al. .... 324/117 H

\* cited by examiner

*Primary Examiner* — Antoine D Davis

(74) *Attorney, Agent, or Firm* — Sughrue Mion, PLLC

(57) **CLAIM**

The ornamental design for a current sensor, as shown and described.

**DESCRIPTION**

FIG. 1 is a perspective view of the top, front and right side of a current sensor showing my new design;

FIG. 2 is a perspective view of the bottom, rear and right side thereof;

FIG. 3 is a front view thereof;

FIG. 4 is a rear view thereof;

FIG. 5 is a right side view thereof;

FIG. 6 is a top view thereof; and,

FIG. 7 is a bottom view thereof.

**1 Claim, 7 Drawing Sheets**

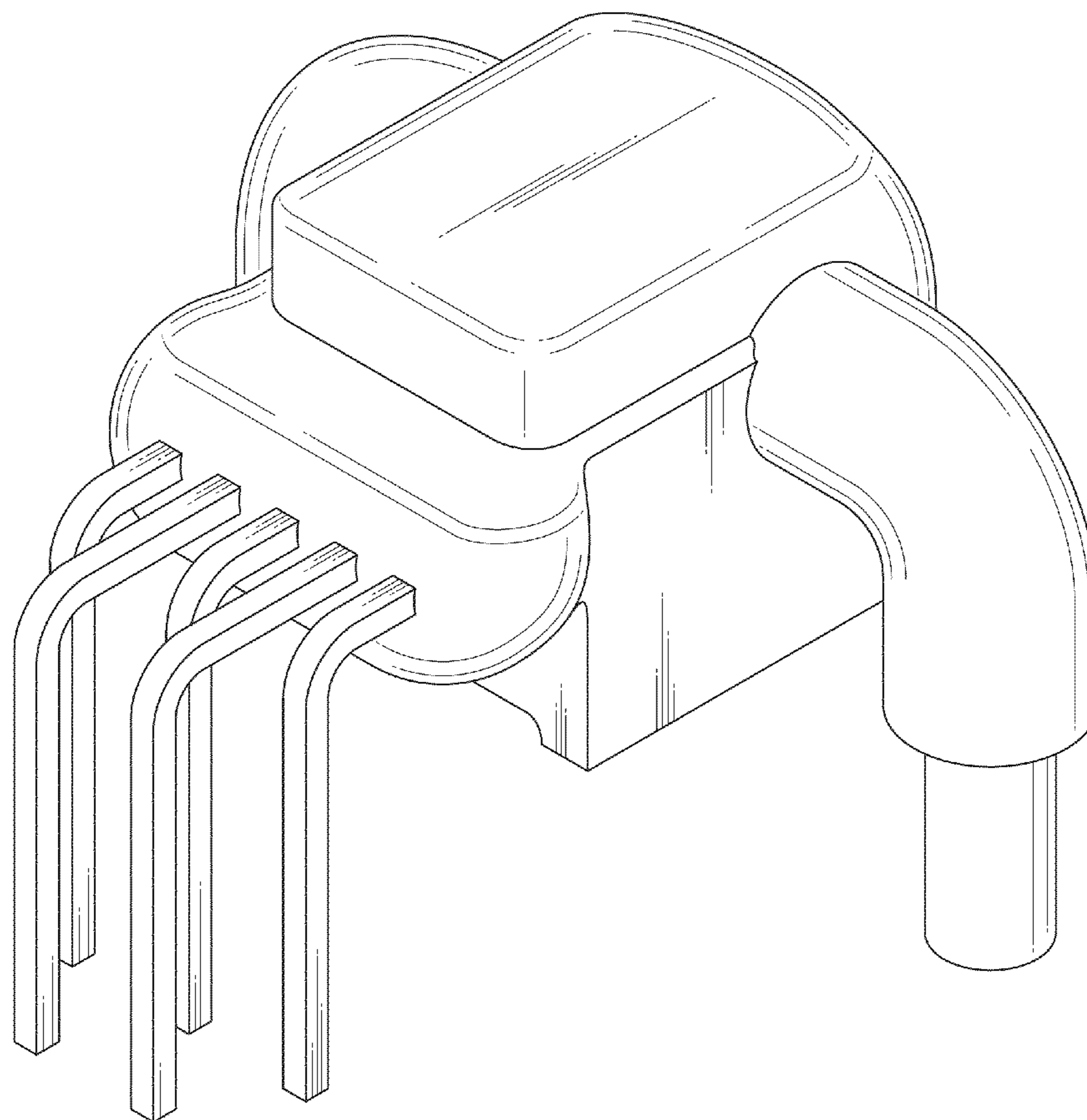


Fig. 1

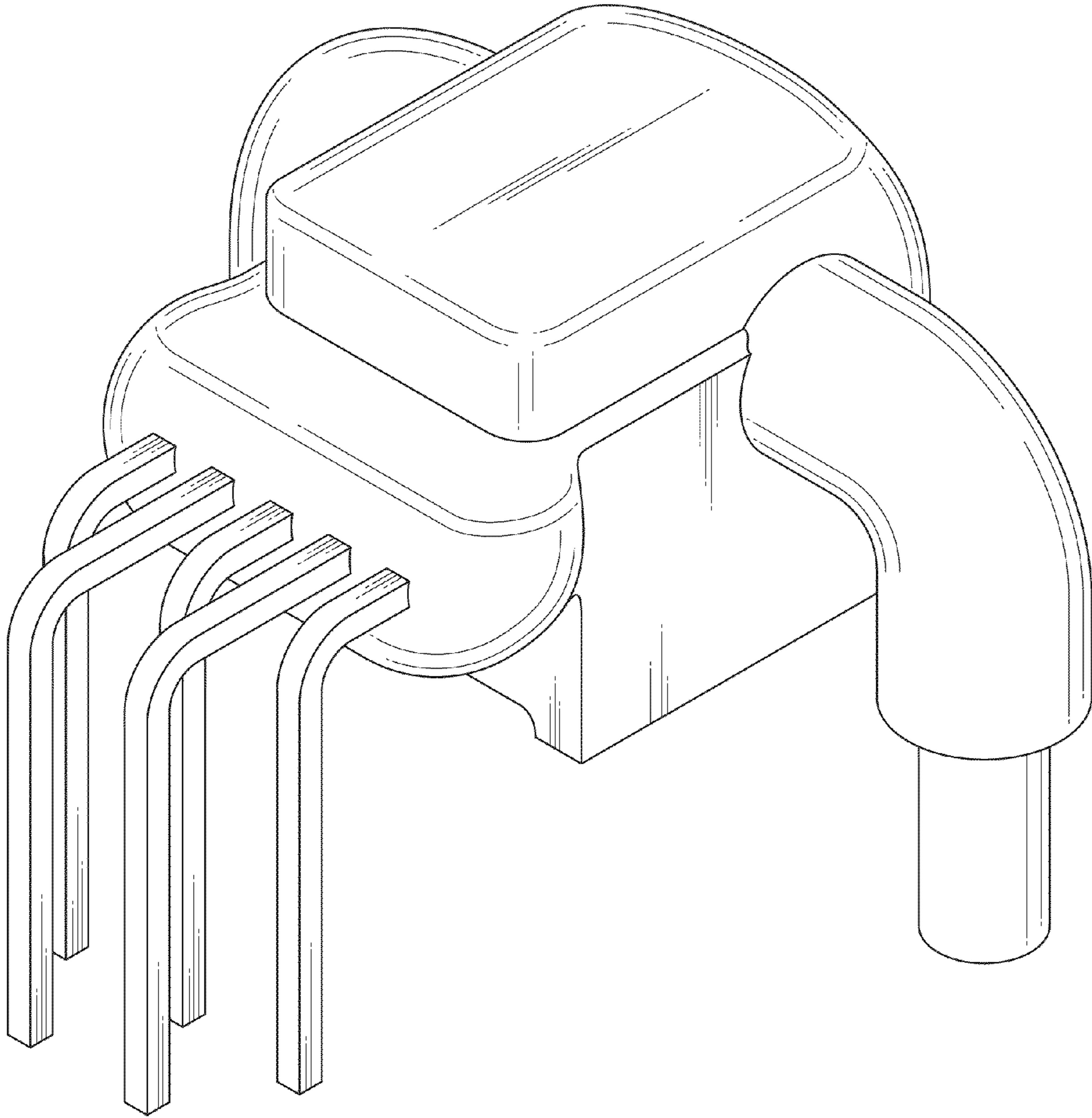


Fig. 2

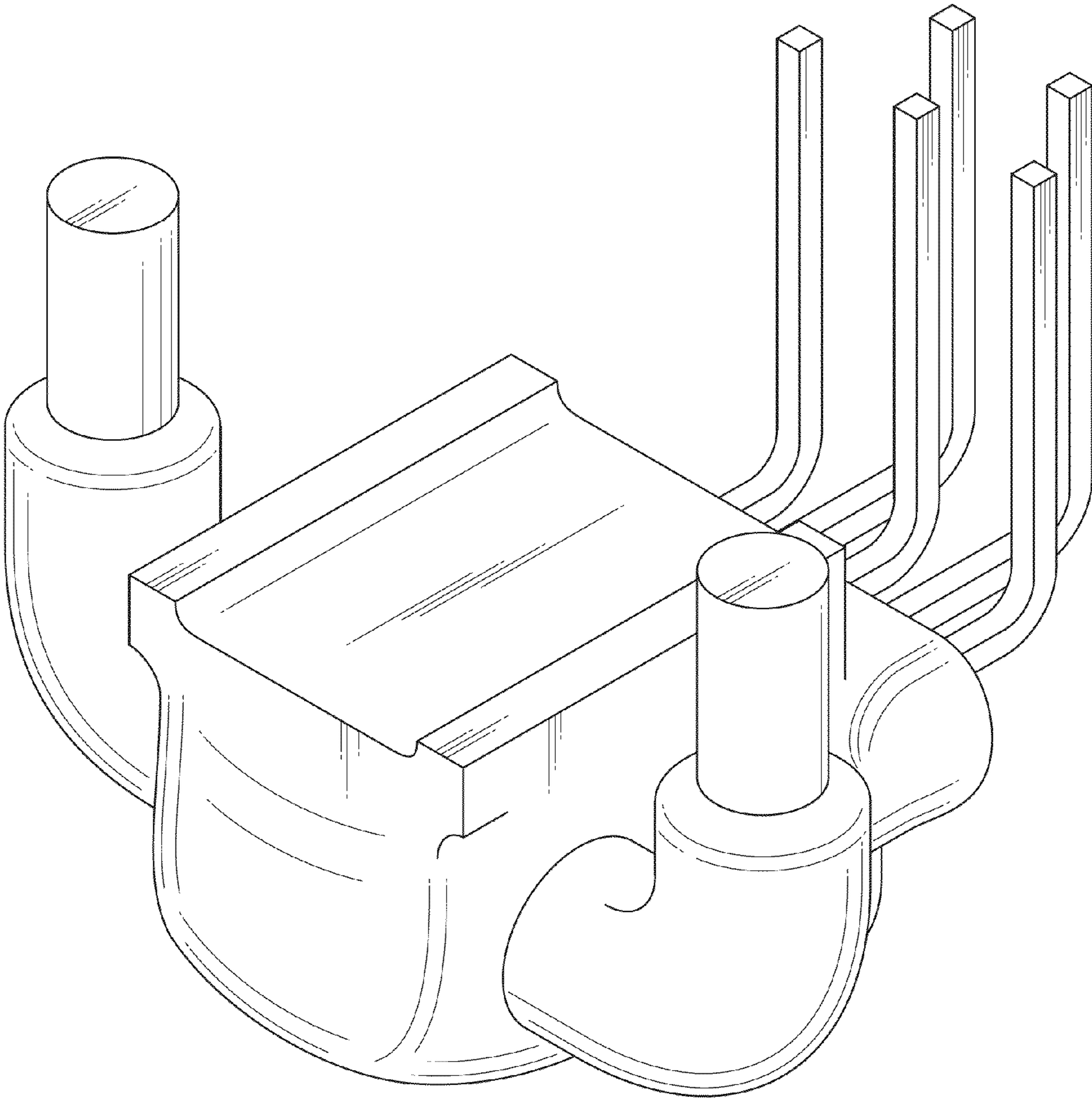


Fig. 3

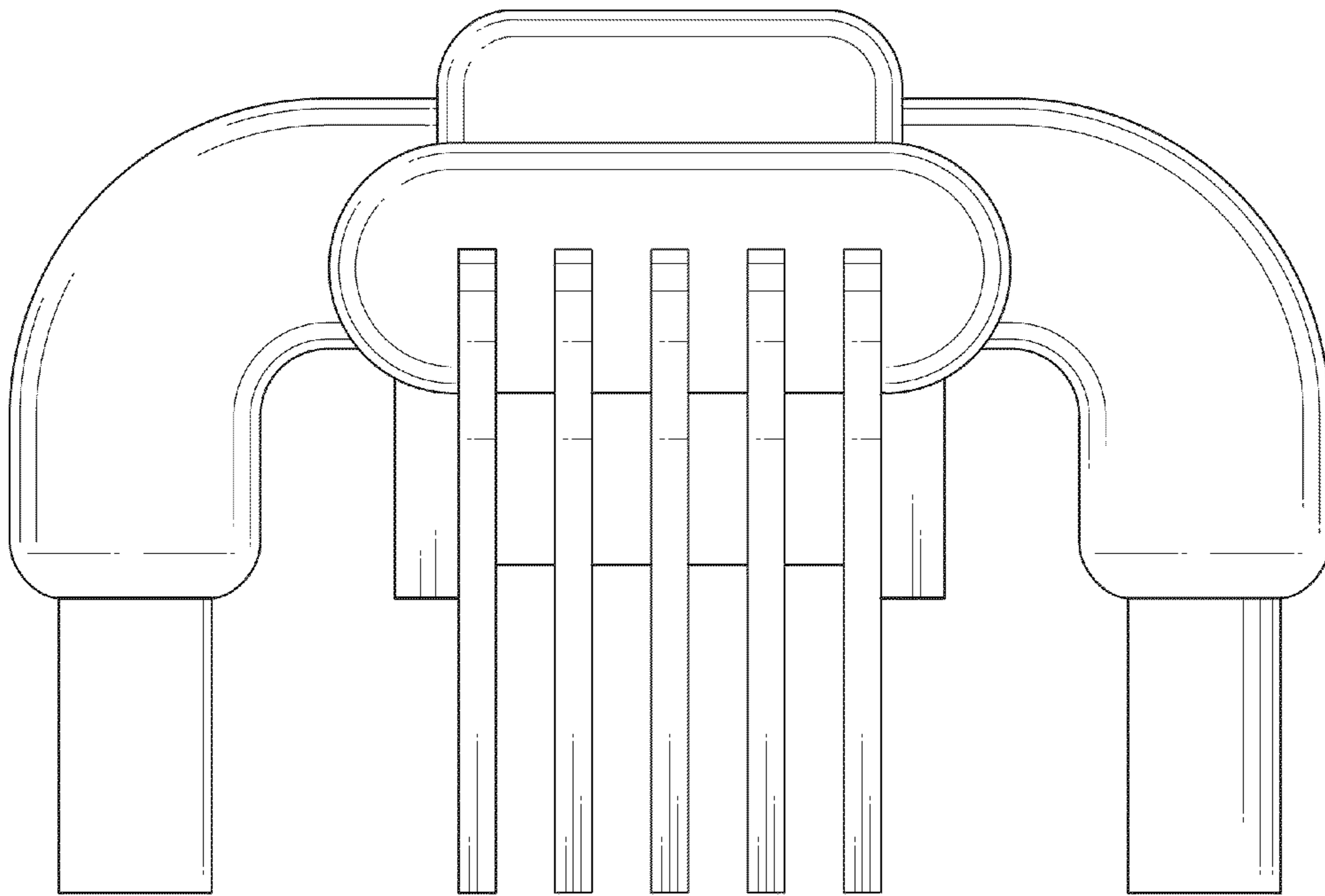


Fig. 4

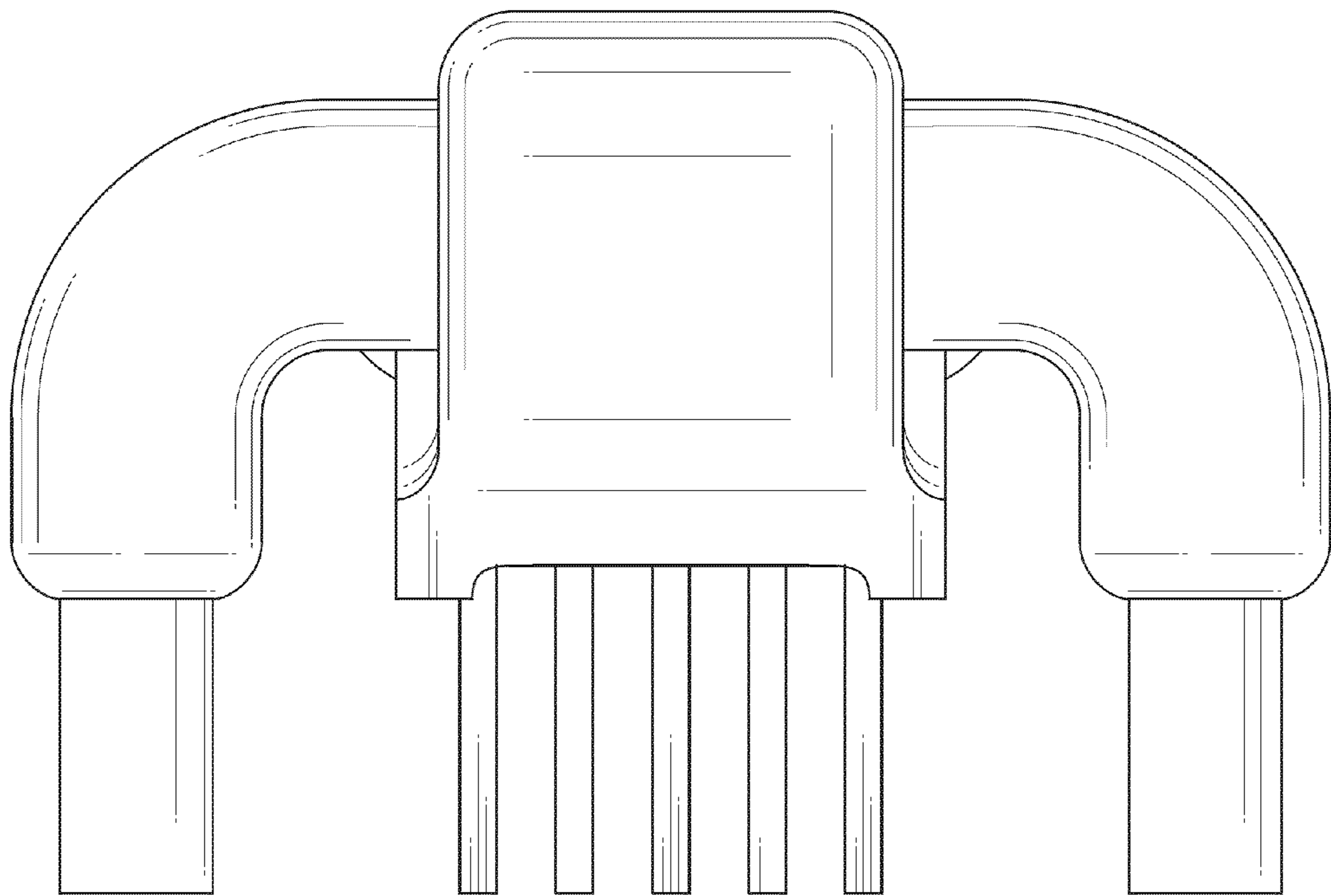


Fig. 5

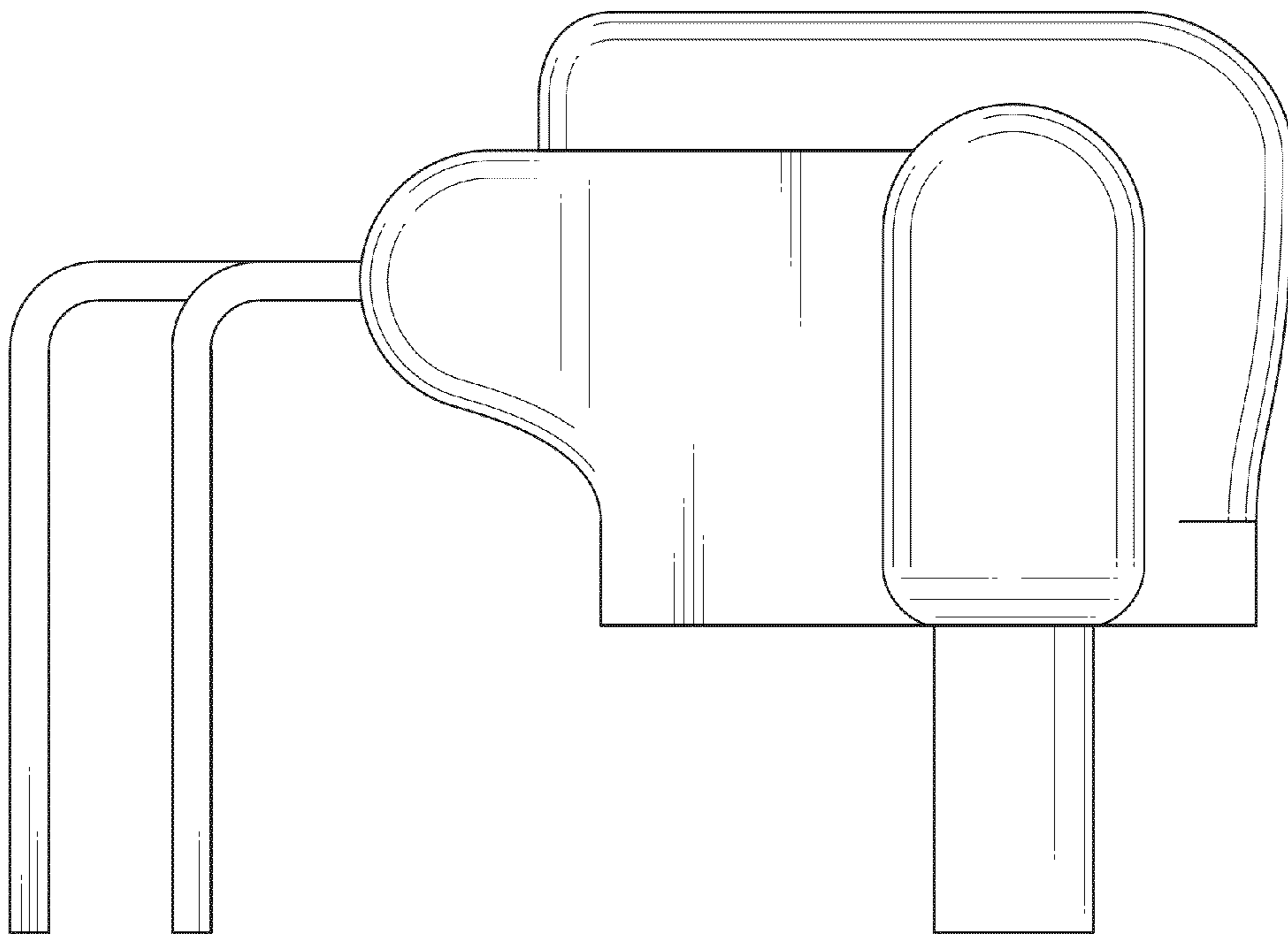


Fig. 6

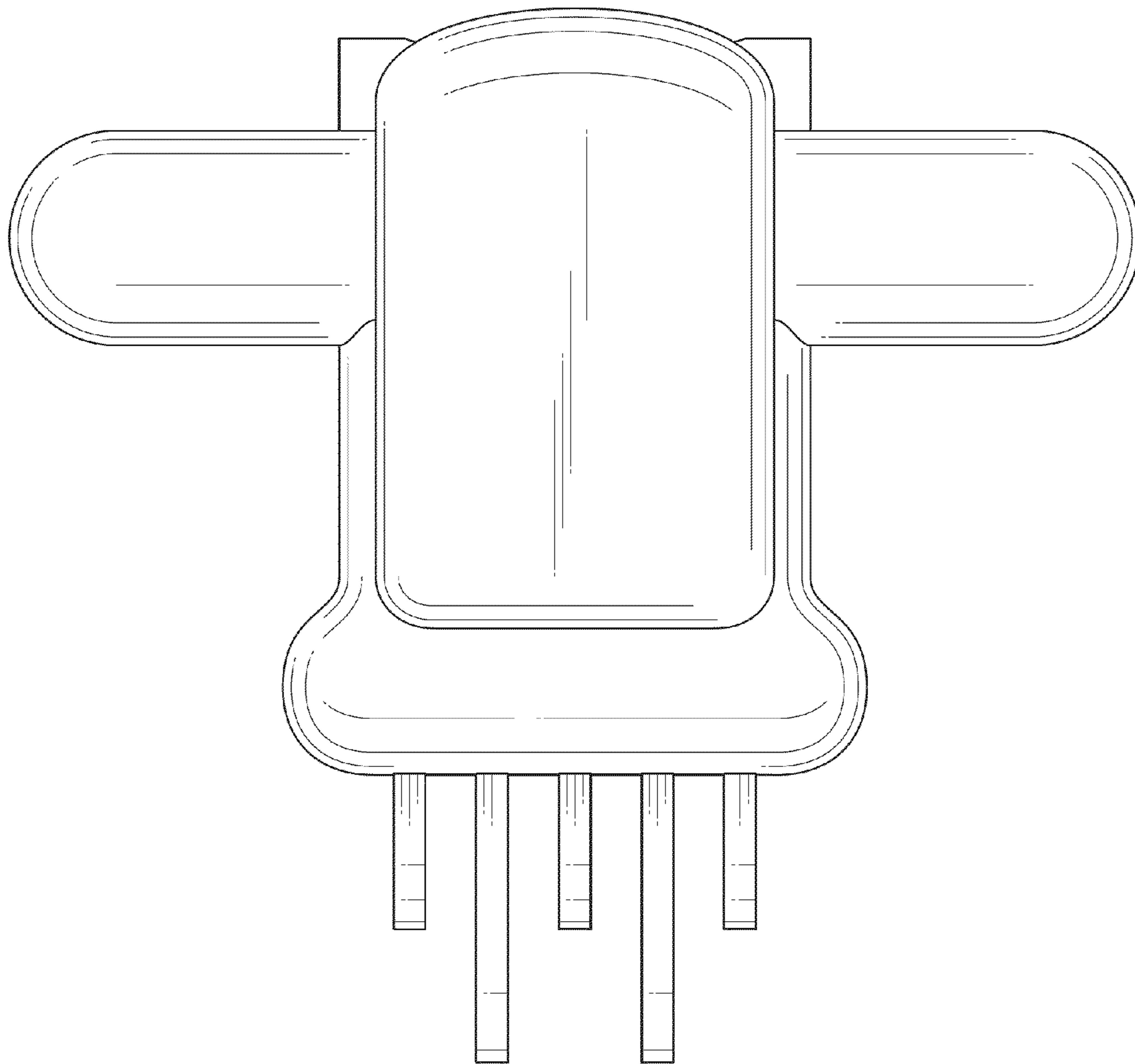


Fig. 7

