



US00D688137S

(12) **United States Design Patent**
Kuo et al.

(10) **Patent No.:** **US D688,137 S**

(45) **Date of Patent:** **** Aug. 20, 2013**

(54) **APPLE SHAPE PAPER BOX**

(75) Inventors: **Chien-Kuan Kuo**, New Taipei (TW);
Chun-Huang Huang, New Taipei (TW)

(73) Assignee: **Golden Arrow Printing, Co., Ltd.**, New Taipei (TW)

(**) Term: **14 Years**

(21) Appl. No.: **29/427,895**

(22) Filed: **Jul. 24, 2012**

(51) **LOC (9) Cl.** **09-01**

(52) **U.S. Cl.**
USPC **D9/645; D9/414**

(58) **Field of Classification Search**
USPC D9/600, 644-647, 414, 424-429;
206/457, 527; 215/400; 220/890; D7/571,
D7/604, 619.2, 623, 628; 229/108, 116.1,
229/116.5, 182.1; D3/270, 271.1, 271.8
See application file for complete search history.

(56) **References Cited**

U.S. PATENT DOCUMENTS

D454,061 S * 3/2002 Davis D9/645
D455,342 S * 4/2002 Chen D9/645
D489,971 S * 5/2004 Tamez D9/645

D582,158 S * 12/2008 Nathanson D3/271.1
D604,114 S * 11/2009 Braidotti D7/628
D615,828 S * 5/2010 Shamoon D7/699

* cited by examiner

Primary Examiner — Sandra Morris

(74) *Attorney, Agent, or Firm* — Chun-Ming Shih; HDLS IPR Services

(57) **CLAIM**

The ornamental design for an apple shape paper box, as shown and described.

DESCRIPTION

FIG. 1 is a perspective view of an apple shape paper box showing my new design;

FIG. 2 is a front view thereof;

FIG. 3 is a rear view thereof;

FIG. 4 is a left side view thereof;

FIG. 5 is a right side view thereof;

FIG. 6 is a top view thereof;

FIG. 7 is a bottom view thereof; and

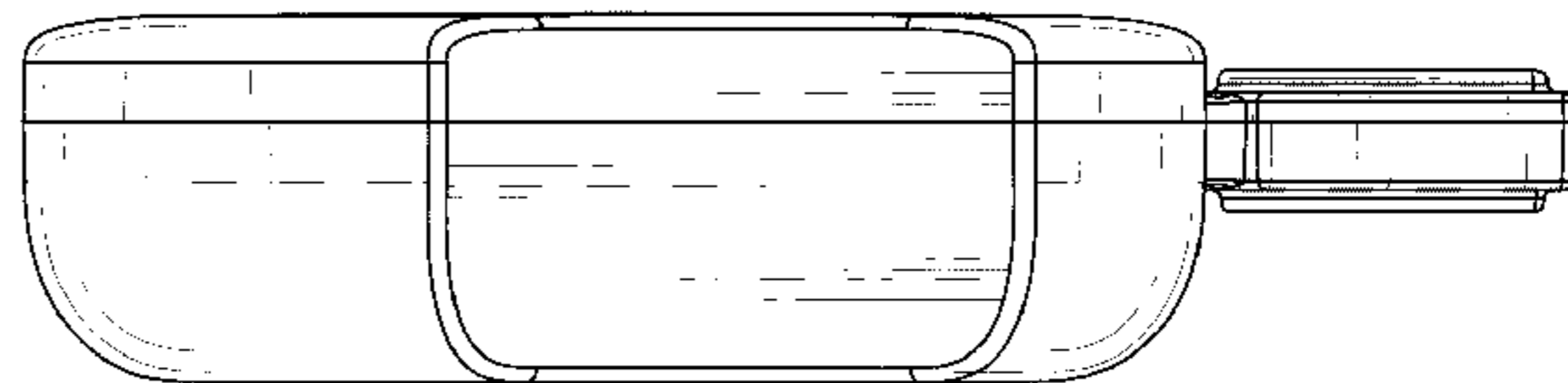
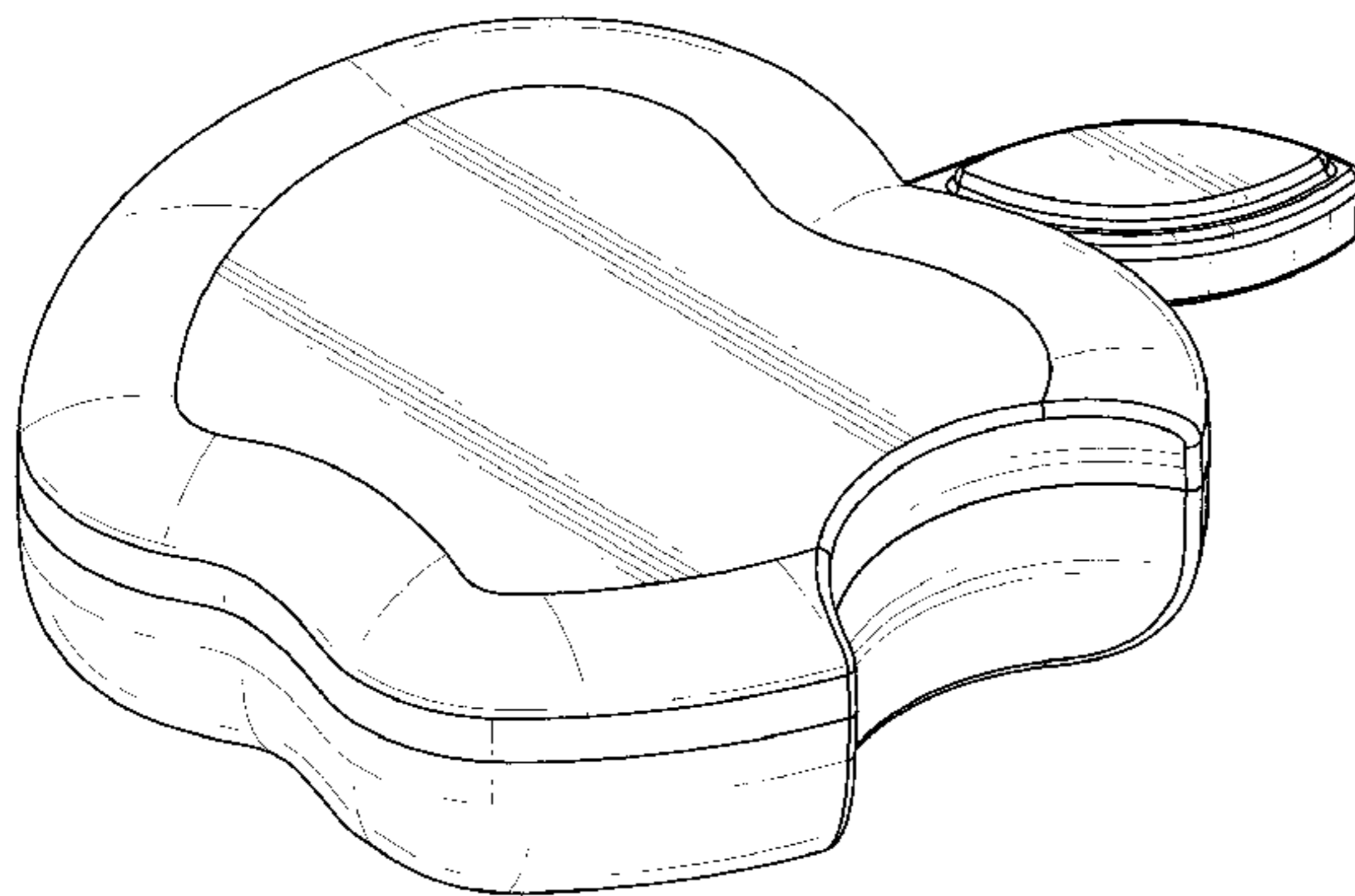
FIG. 8 is another perspective view showing the apple shape paper box.

FIG. 9 is the other perspective view showing the apple shape paper box; and,

FIG. 10 is an exploded perspective view showing the apple shape paper box.

The broken lines shown represent unclaimed subject matter and form no part of the claimed design.

1 Claim, 7 Drawing Sheets



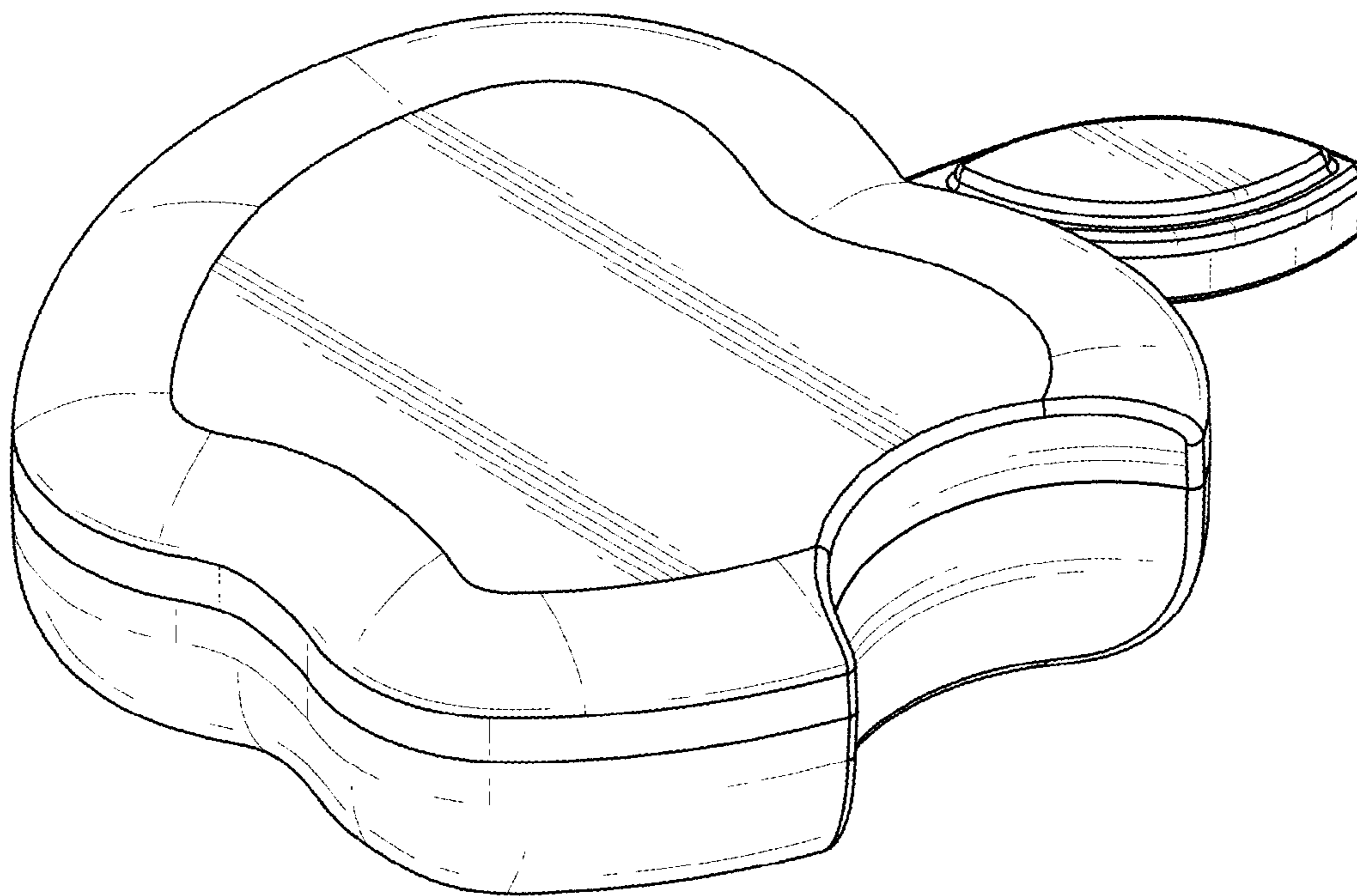


FIG.1

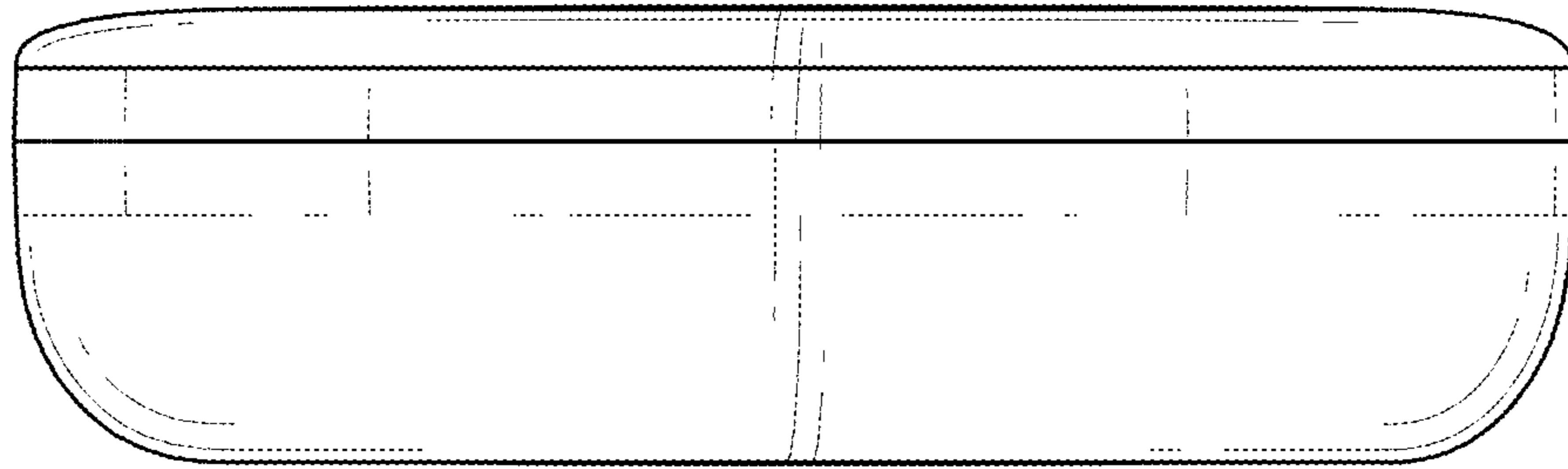


FIG. 2

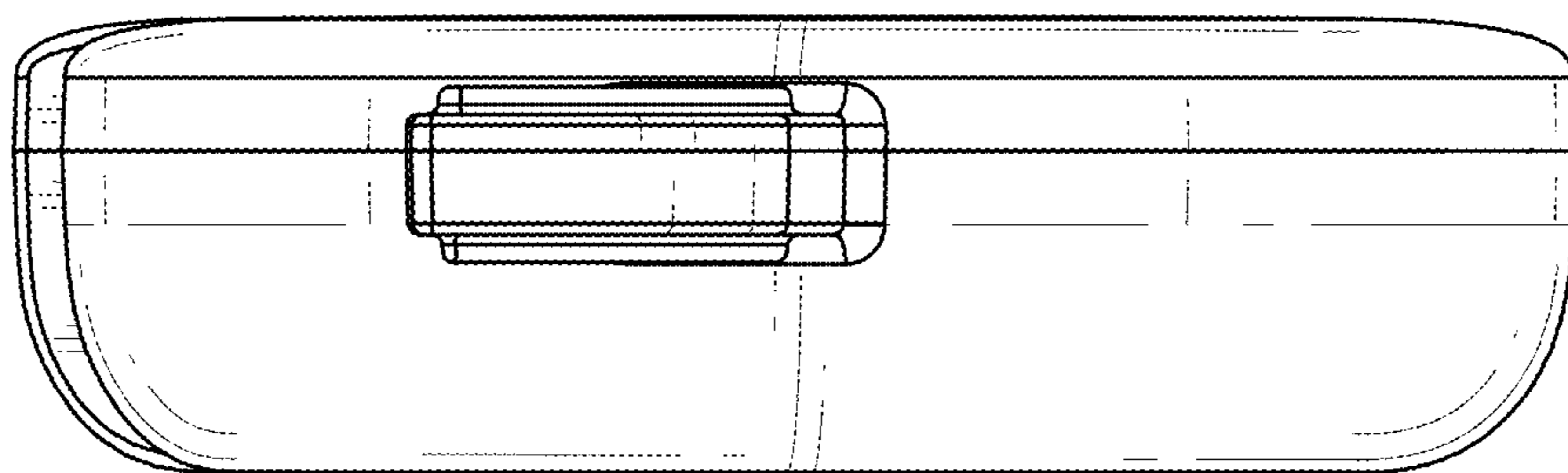


FIG. 3

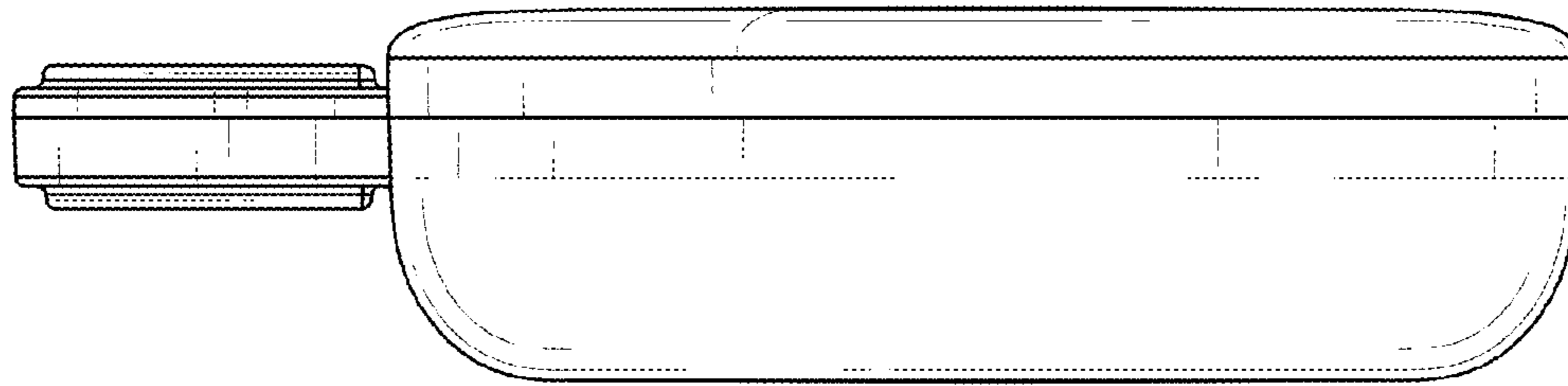


FIG. 4

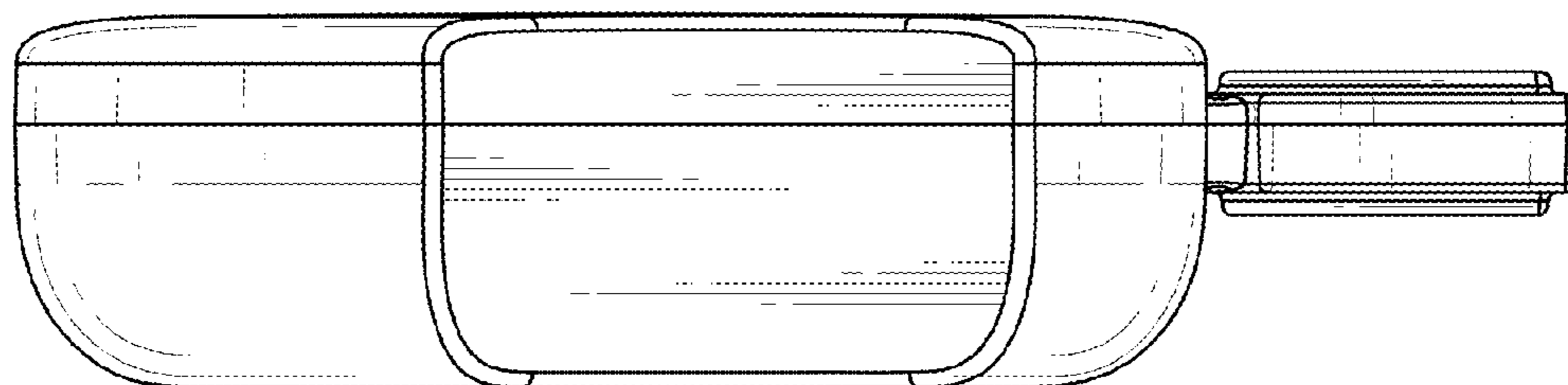


FIG. 5

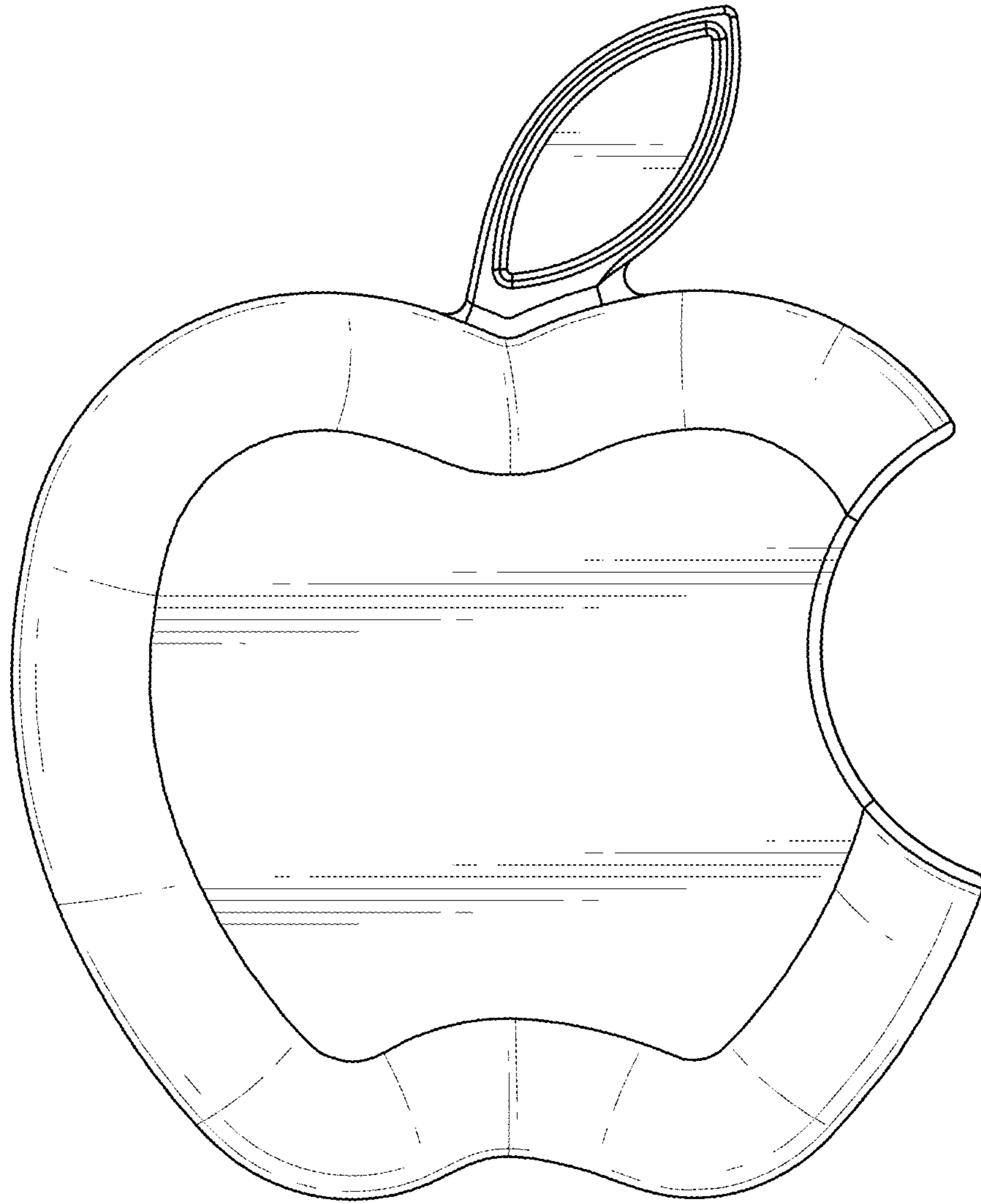


FIG.6

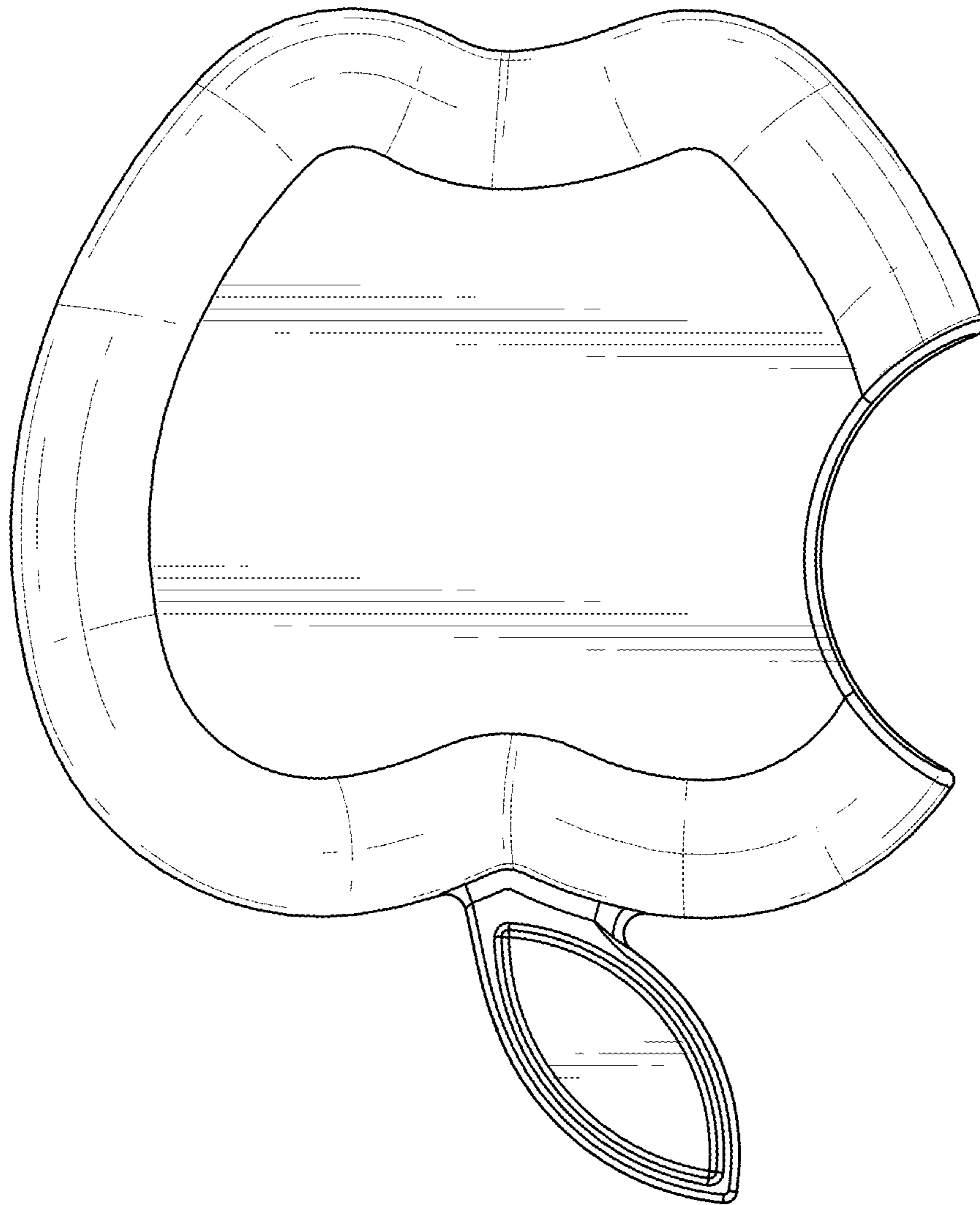


FIG.7

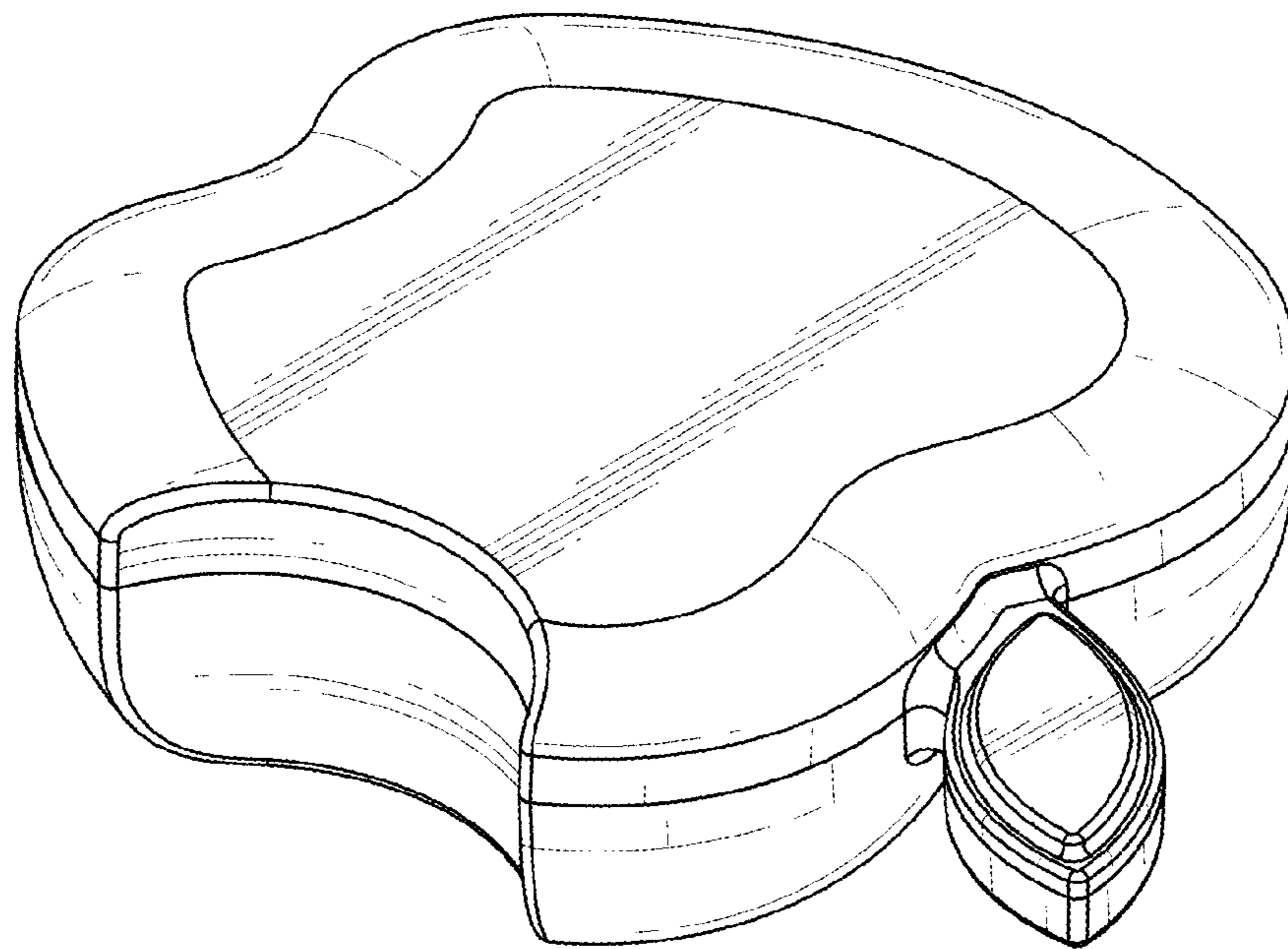


FIG. 8

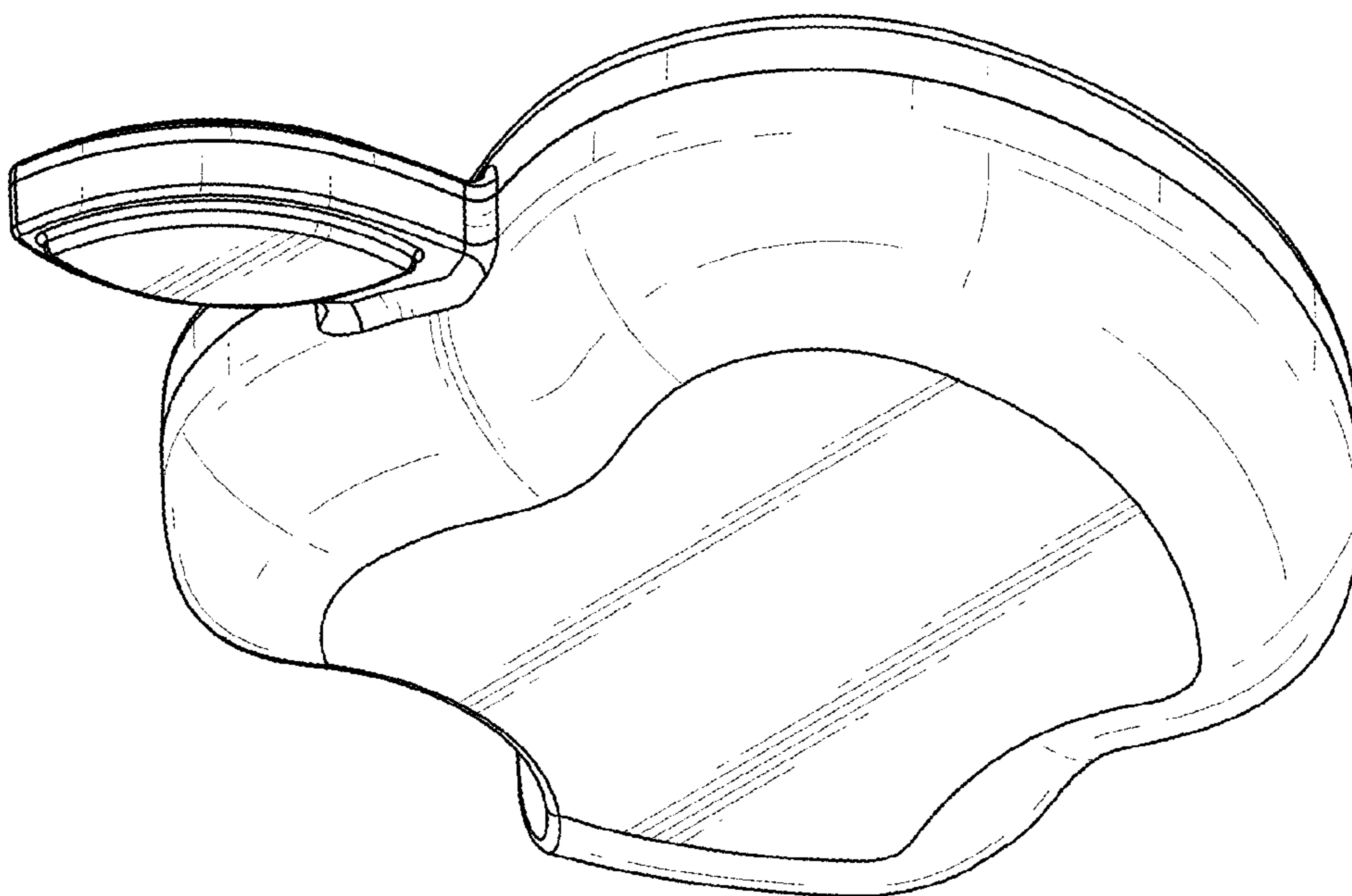


FIG. 9

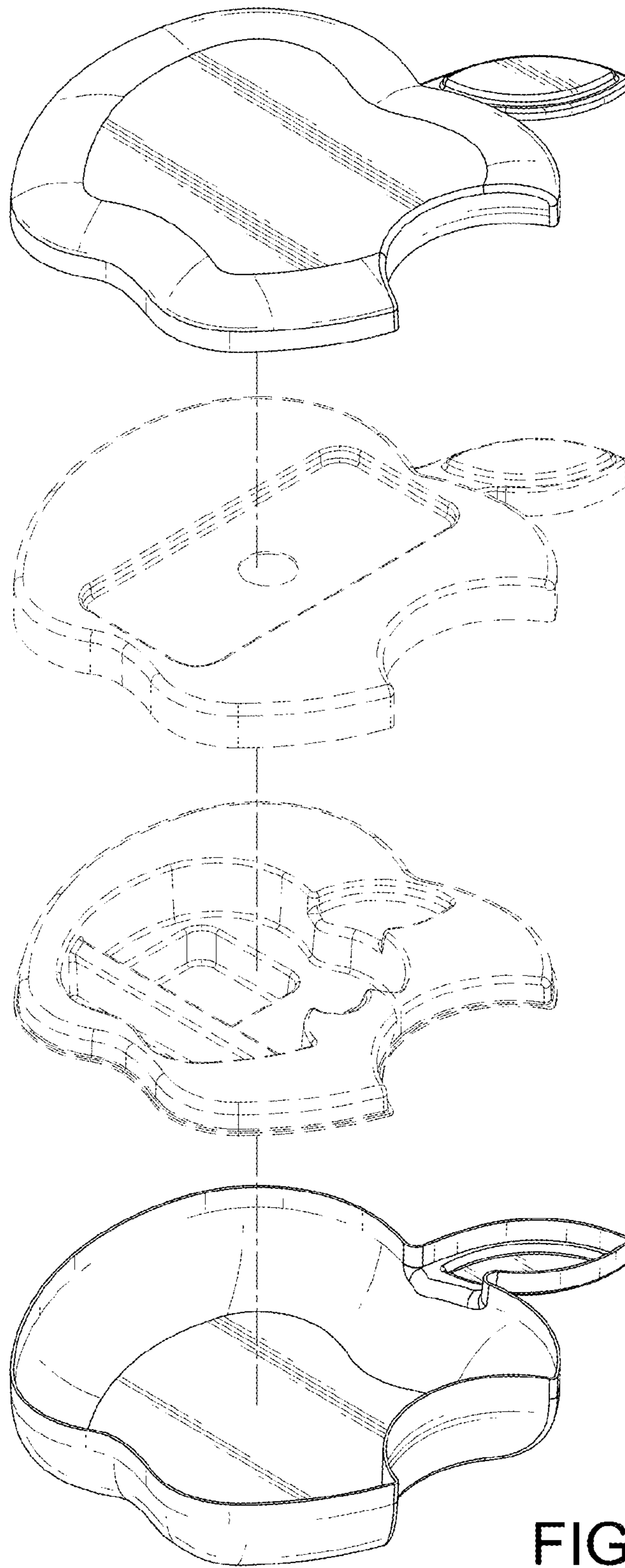


FIG.10