



US00D688136S

(12) **United States Design Patent**
Kuo et al.

(10) **Patent No.:** **US D688,136 S**

(45) **Date of Patent:** **** Aug. 20, 2013**

(54) **APPLE SHAPE PAPER BOX**

(75) Inventors: **Chien-Kuan Kuo**, New Taipei (TW);
Chun-Huang Huang, New Taipei (TW)

(73) Assignee: **Golden Arrow Printing, Co., Ltd.**, New Taipei (TW)

(**) Term: **14 Years**

(21) Appl. No.: **29/427,891**

(22) Filed: **Jul. 24, 2012**

(51) **LOC (9) Cl.** **09-01**

(52) **U.S. Cl.**
USPC **D9/645**; D9/414

(58) **Field of Classification Search**
USPC D9/600, 644-647, 414, 424-429;
206/457, 527; 215/400; 220/890; D7/571,
D7/604, 619.2, 623, 628; 229/108, 116.1,
229/116.5, 182.1; D3/270, 271.1, 271.8
See application file for complete search history.

(56) **References Cited**

U.S. PATENT DOCUMENTS

D12,183 S *	3/1881	Mabbett, Jr.	D9/645
D299,992 S *	2/1989	Michel	D9/645
D442,834 S *	5/2001	Perez	D7/628
D455,342 S *	4/2002	Chen	D9/645
D582,158 S *	12/2008	Nathanson	D3/271.1
D604,113 S *	11/2009	Braidotti	D7/628

D605,471 S *	12/2009	Ehrenhaus et al.	D7/628
D611,775 S *	3/2010	Yung	D7/628
D666,460 S *	9/2012	Kolano	D7/628

* cited by examiner

Primary Examiner — Sandra Morris

(74) *Attorney, Agent, or Firm* — Chun-Ming Shih; HDLS IPR Services

(57) **CLAIM**

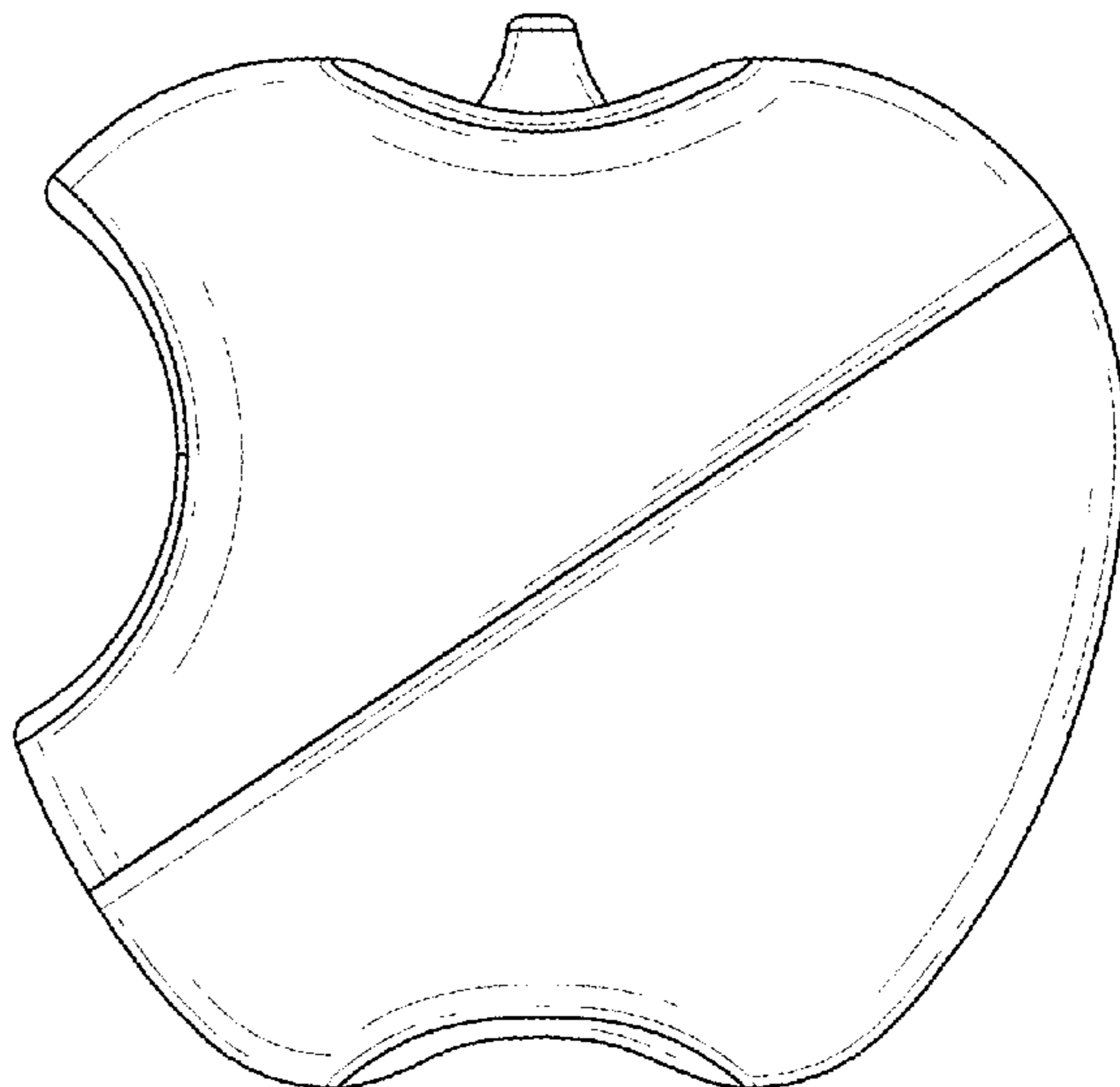
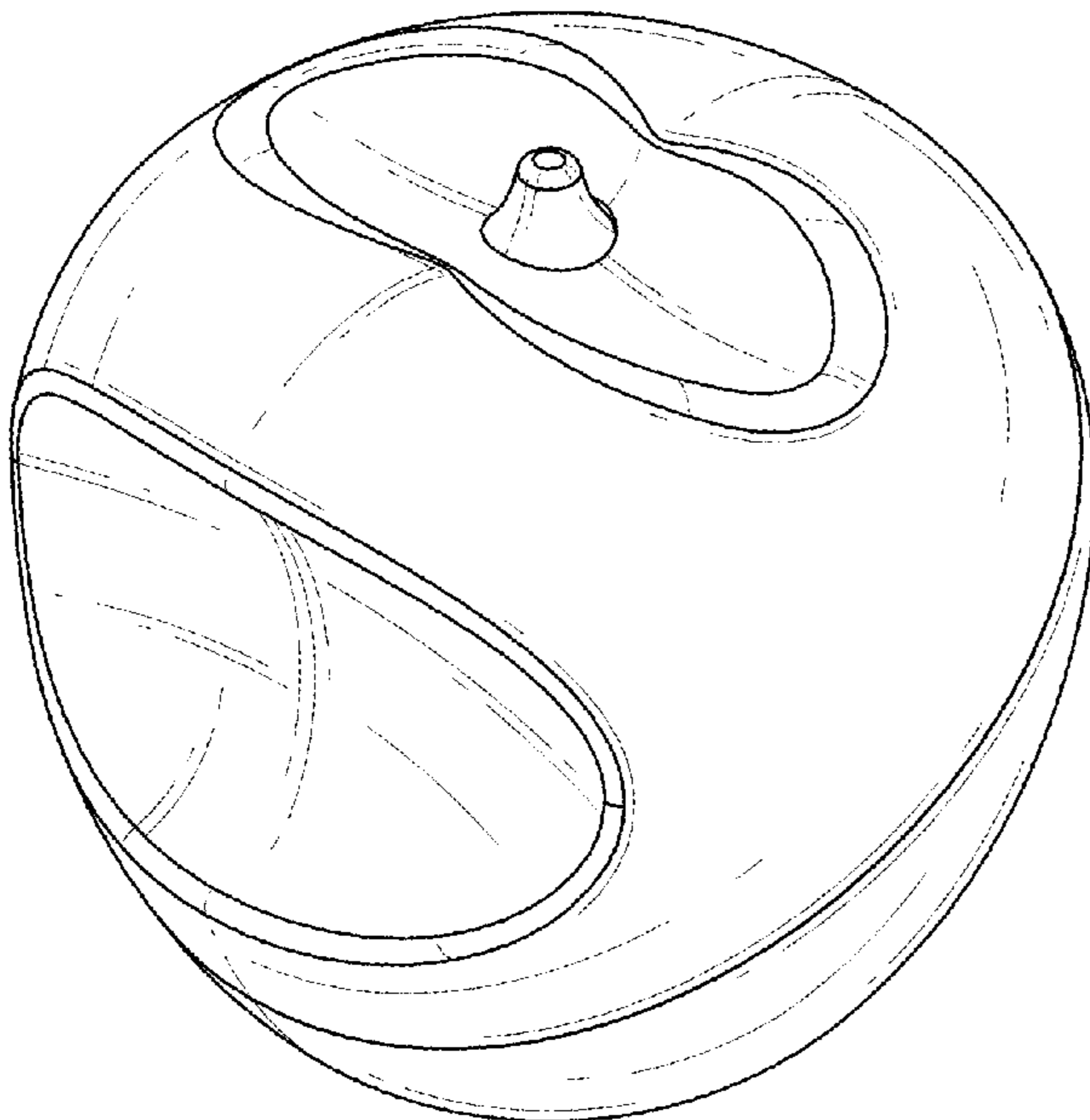
The ornamental design for a apple shape paper box, as shown and described.

DESCRIPTION

FIG. 1 is a perspective view of an apple shape paper box showing my new design;
FIG. 2 is a front view thereof;
FIG. 3 is a rear view thereof;
FIG. 4 is a left side view thereof;
FIG. 5 is a right side view thereof;
FIG. 6 is a top view thereof;
FIG. 7 is a bottom view thereof; and
FIG. 8 is another perspective view showing the apple shape paper box.
FIG. 9 is another perspective view thereof; and,
FIG. 10 is an exploded perspective view showing the apple shape paper box.

The broken lines shown represent unclaimed subject matter and form no part of the claimed design.

1 Claim, 7 Drawing Sheets



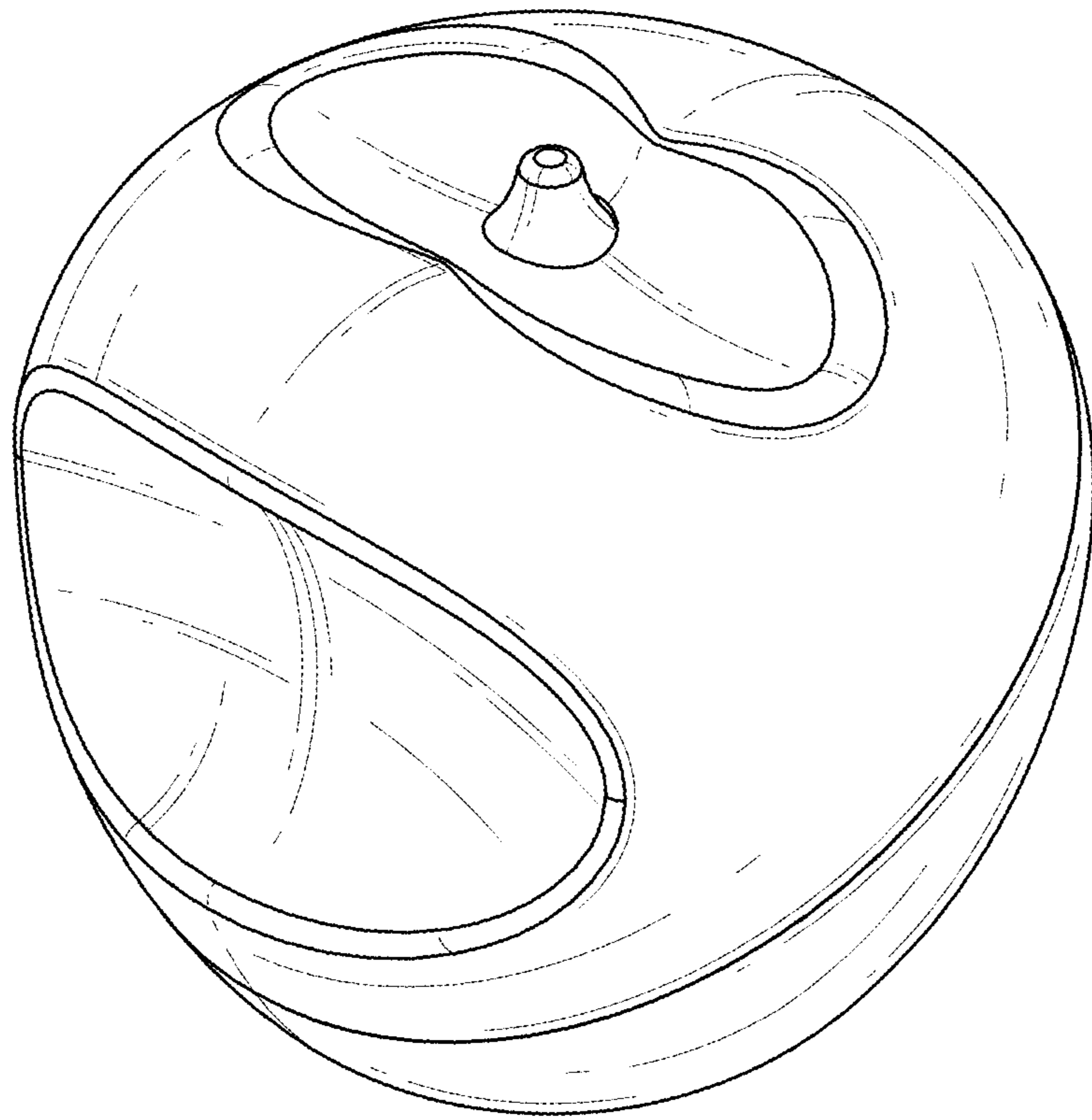


FIG.1

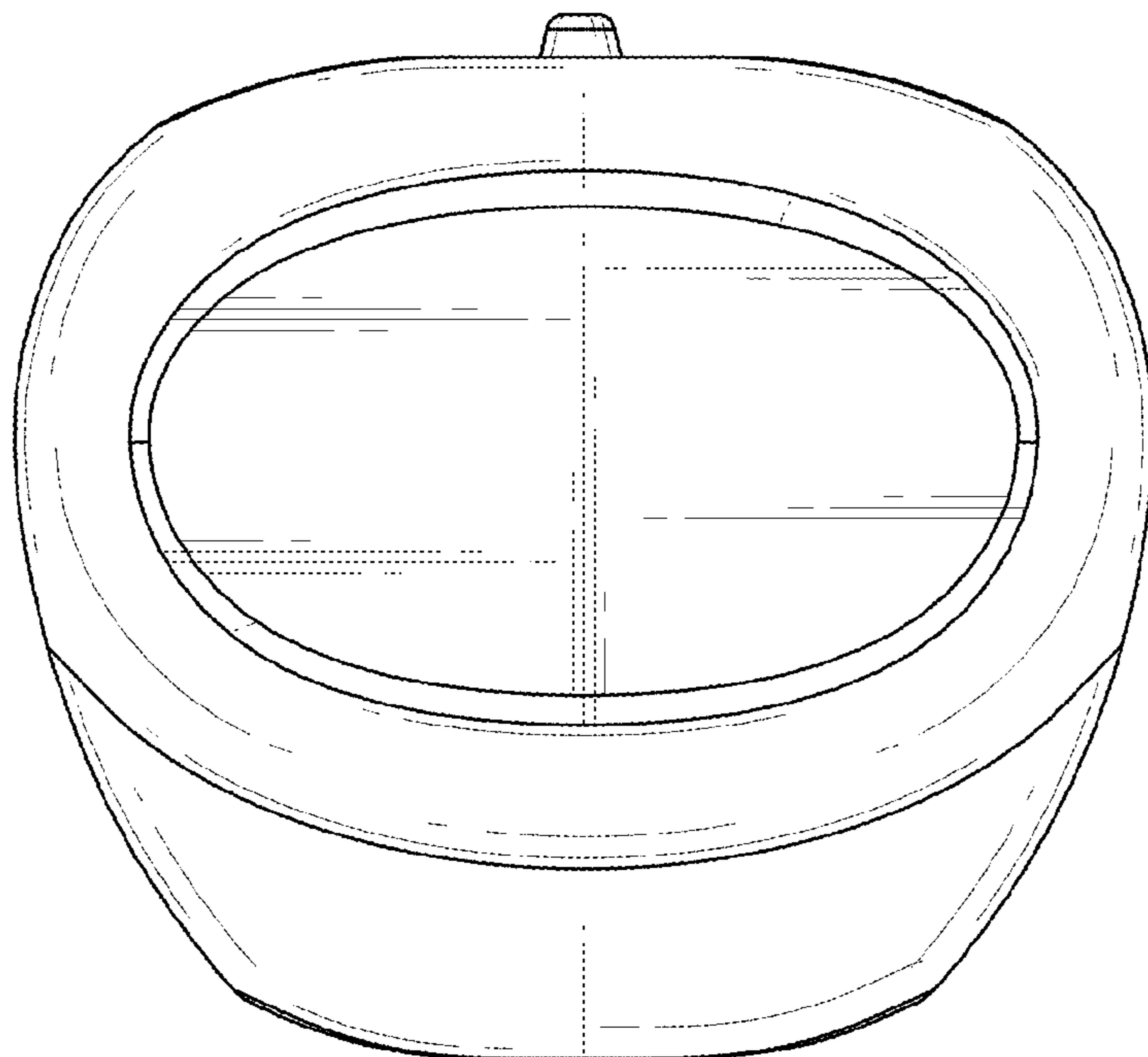


FIG. 2

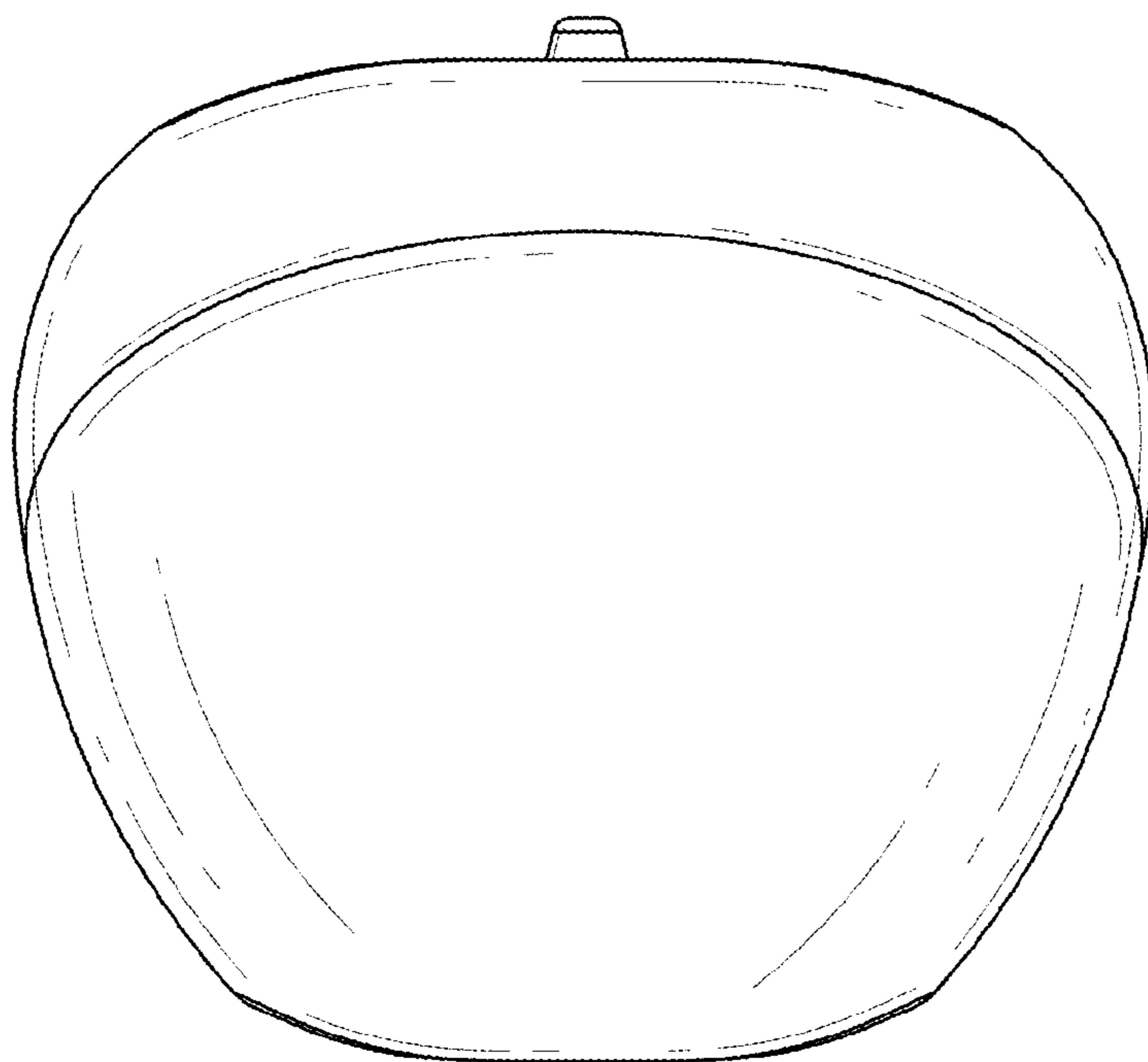


FIG. 3

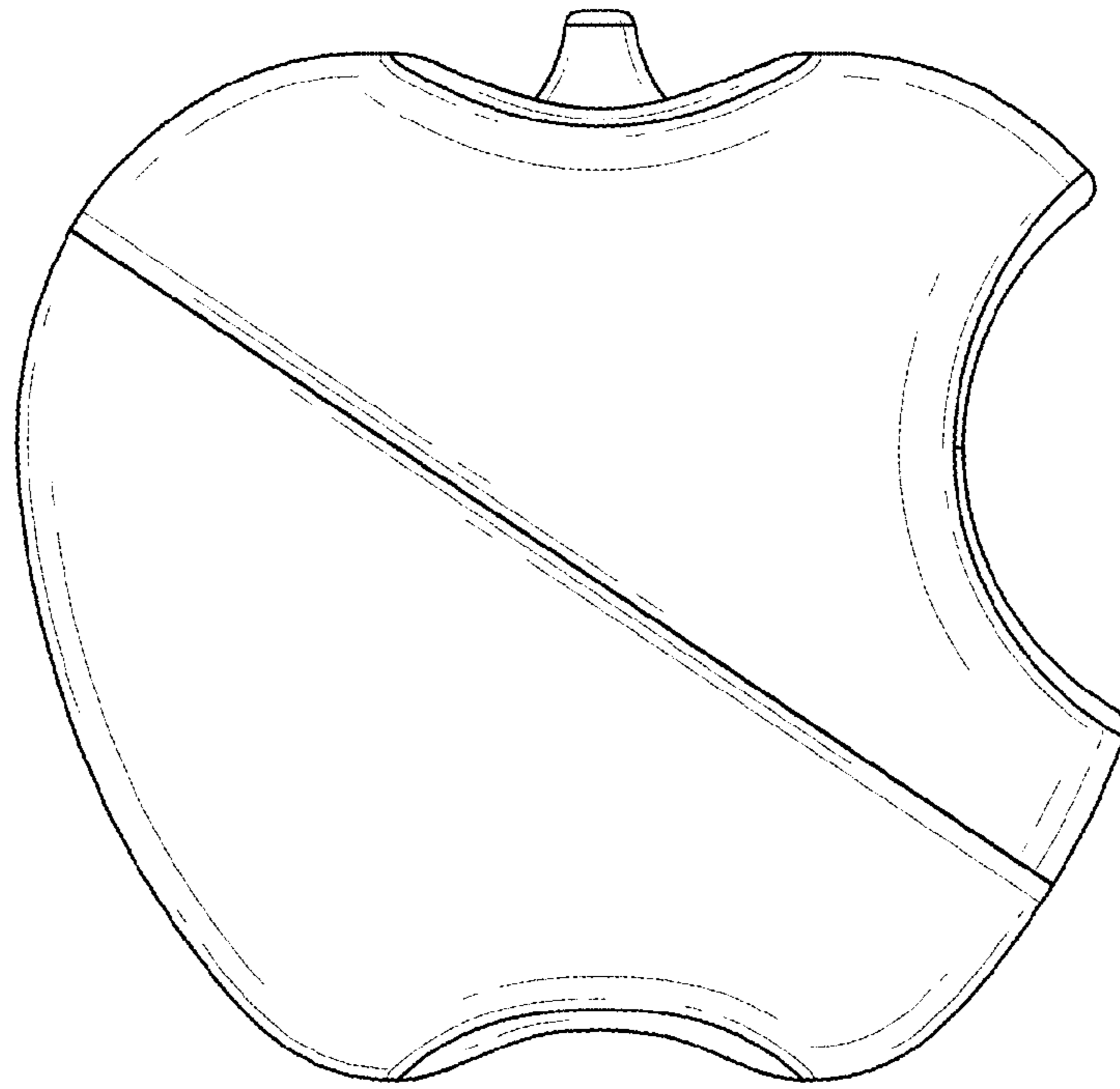


FIG. 4

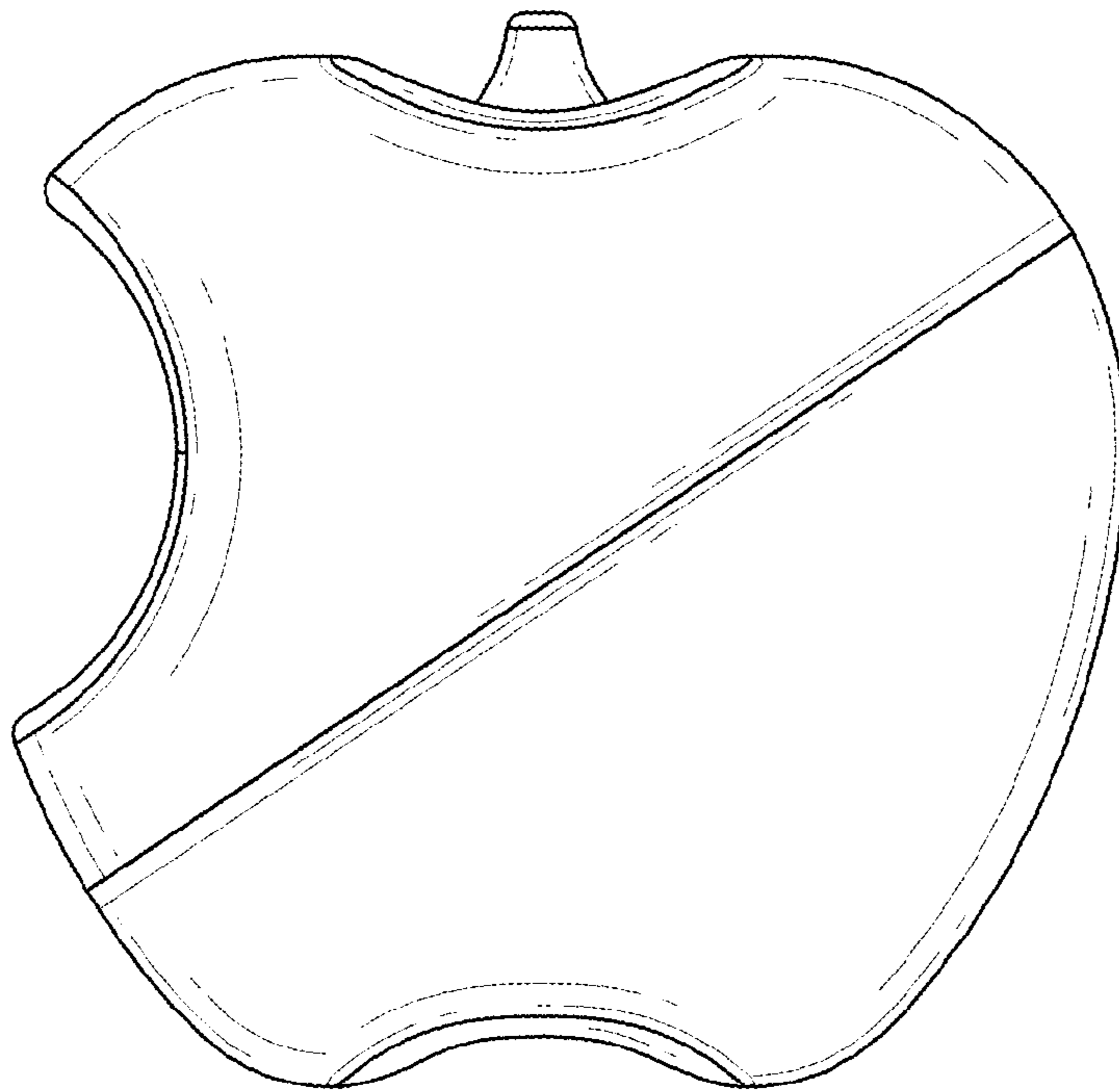


FIG. 5

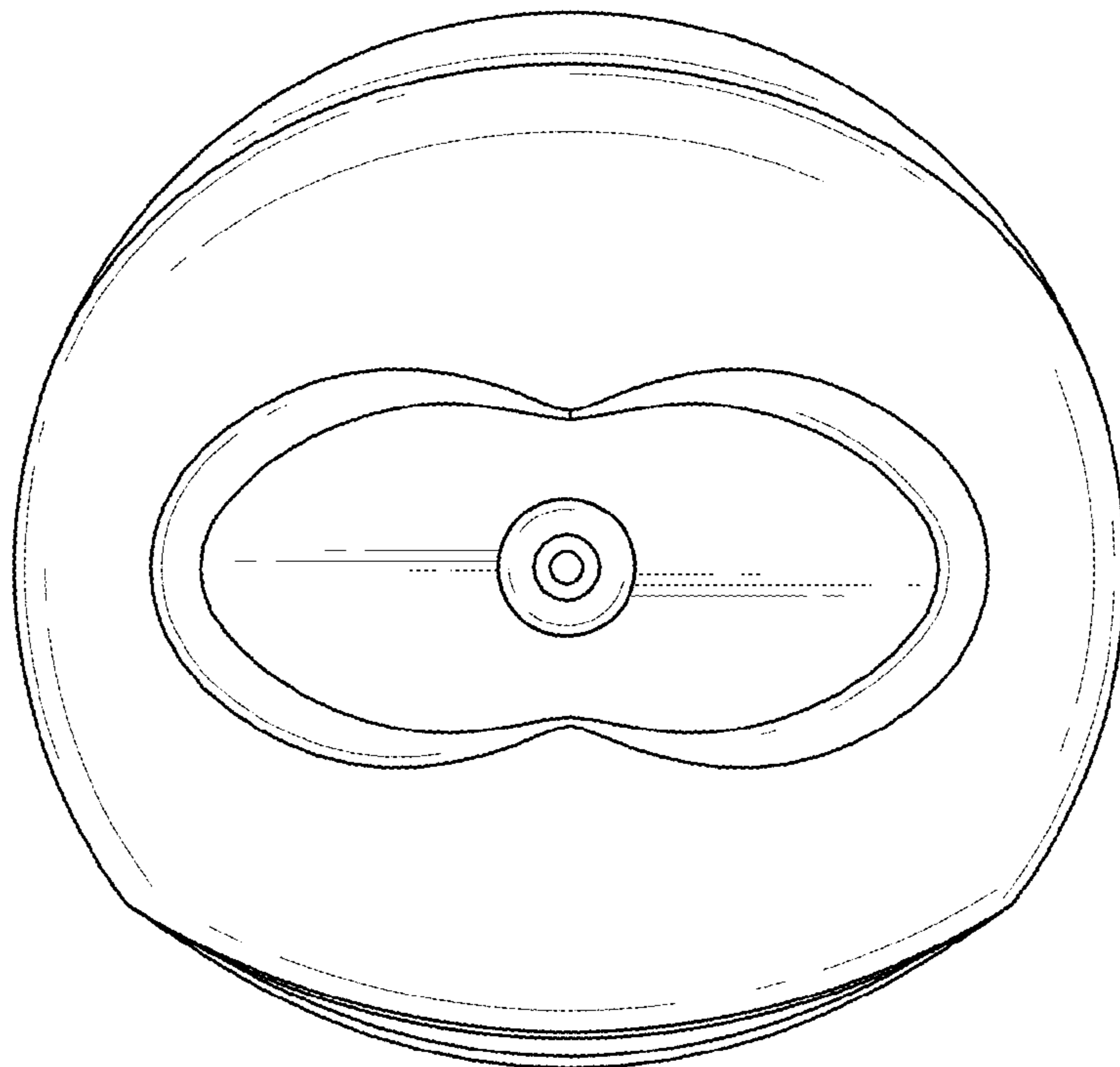


FIG. 6

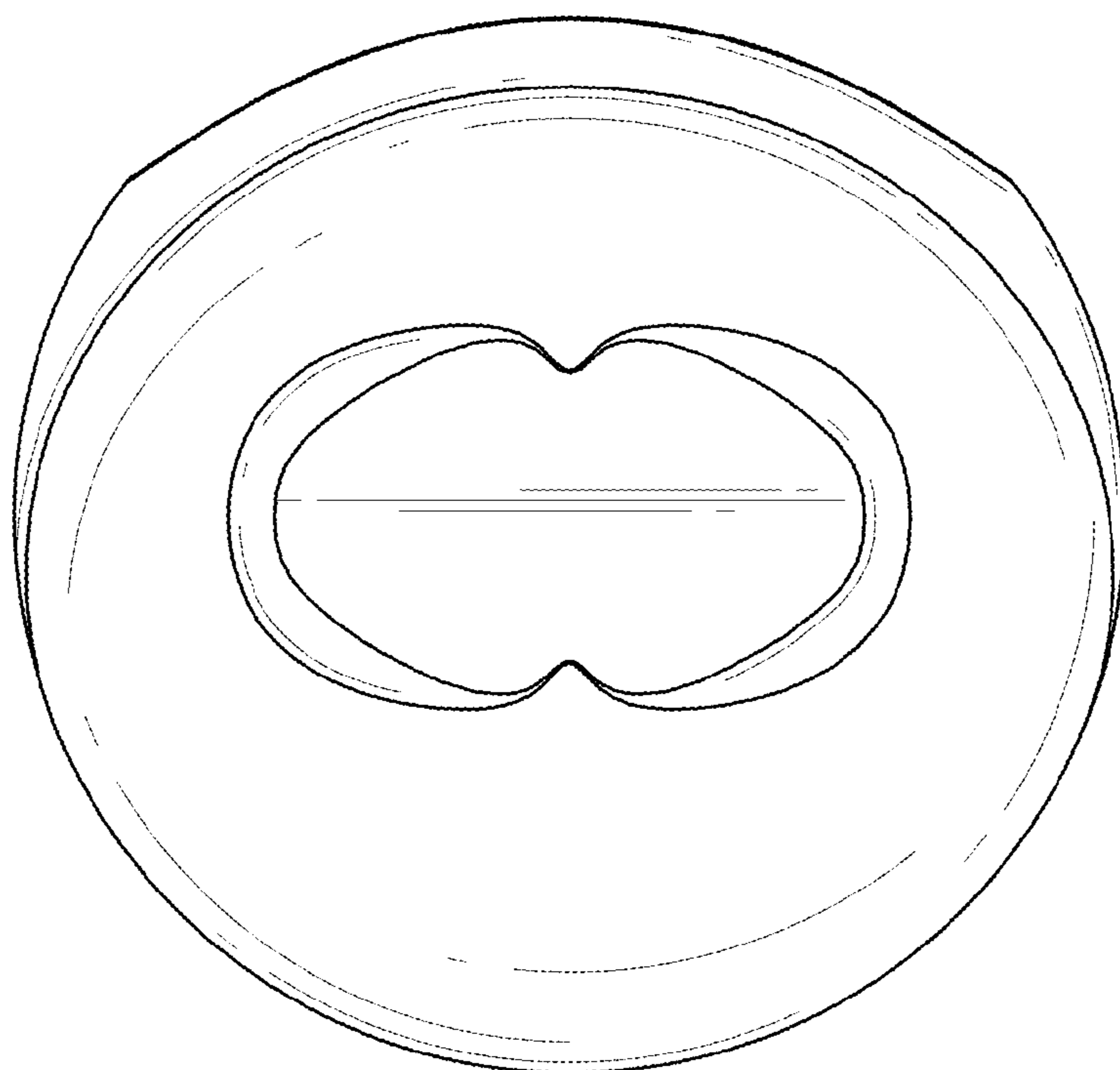


FIG. 7

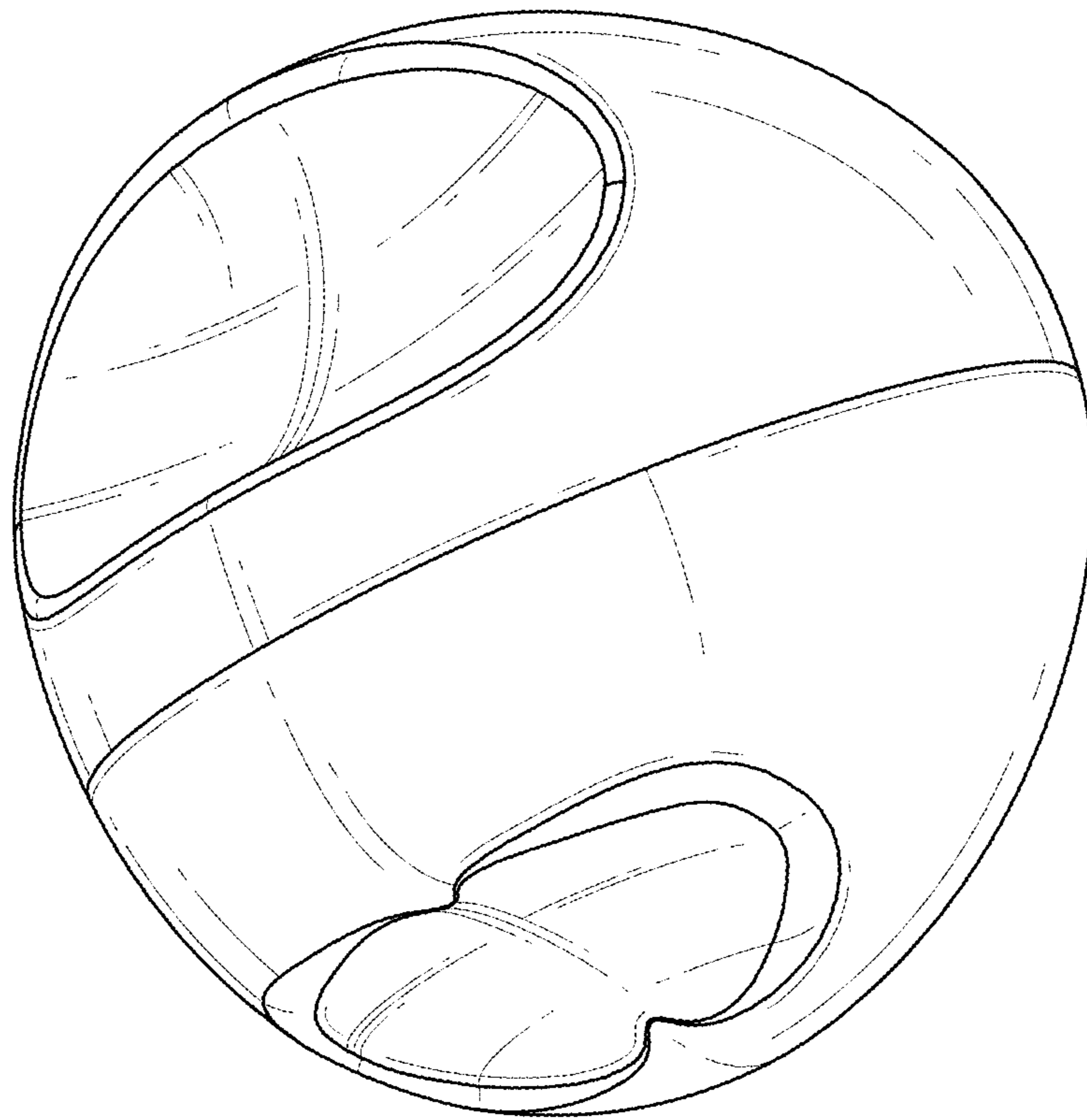


FIG.8

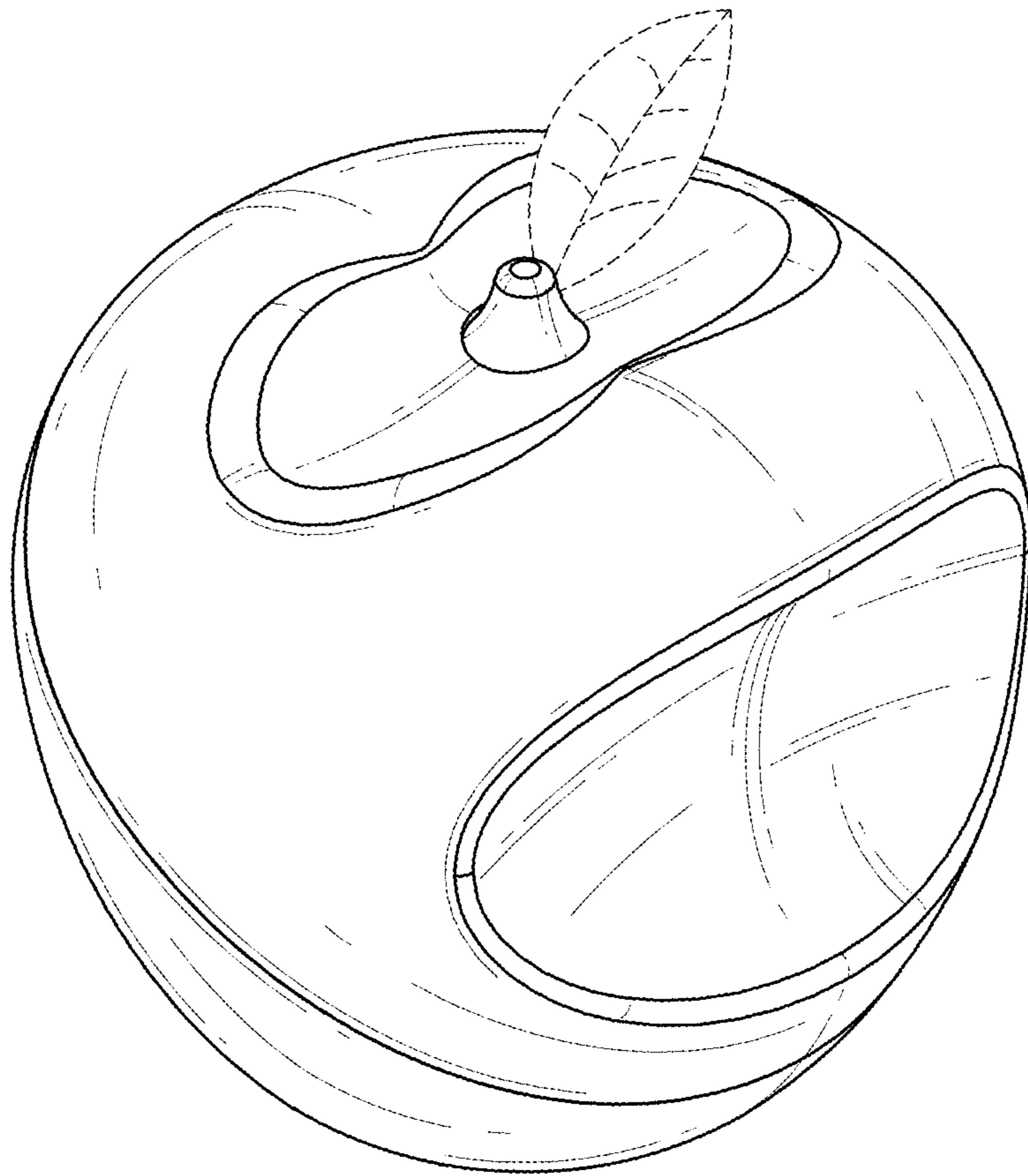


FIG.9

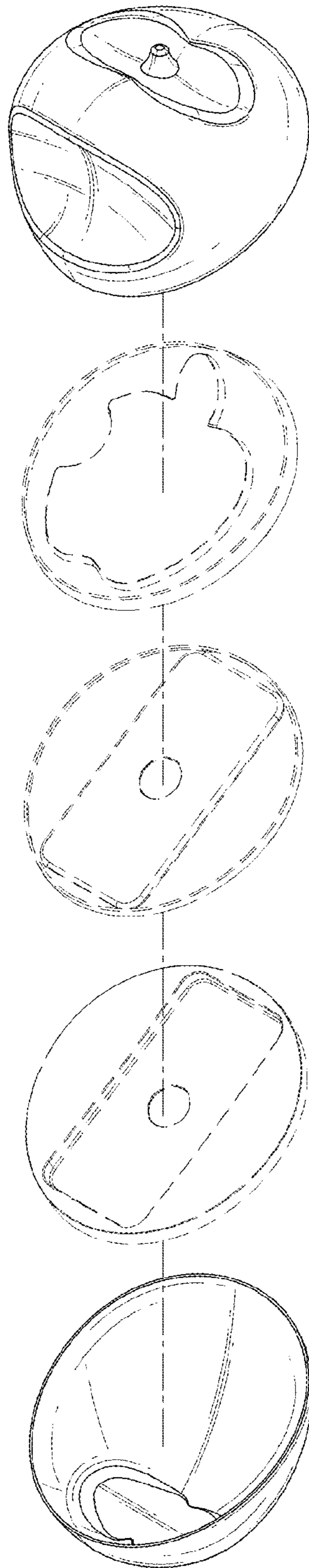


FIG.10