

US00D688129S

(12) **United States Design Patent**  
**Krause**

(10) **Patent No.:** **US D688,129 S**

(45) **Date of Patent:** **\*\* Aug. 20, 2013**

(54) **BOTTLE CAP**

(56) **References Cited**

- (71) Applicant: **Bio Clinical Development, Inc.**,  
Farmington Hills, MI (US)
- (72) Inventor: **Andrew Krause**, Oxford, MI (US)
- (73) Assignee: **International IP Holdings LLC**,  
Farmington Hills, MI (US)
- (\*\*) Term: **14 Years**
- (21) Appl. No.: **29/436,691**
- (22) Filed: **Nov. 8, 2012**

U.S. PATENT DOCUMENTS

4,844,273	A *	7/1989	Hawkins	215/329
5,197,616	A *	3/1993	Buono	215/220
5,385,252	A *	1/1995	Hidding et al.	215/230
5,507,419	A *	4/1996	Martin et al.	222/548
D451,393	S *	12/2001	Gerhart et al.	D9/453
D504,819	S *	5/2005	Kelley et al.	D9/454
6,948,630	B2 *	9/2005	Julian et al.	215/329
D527,262	S *	8/2006	Cooney	D9/454
D553,498	S *	10/2007	Cooney	D9/454
D584,149	S *	1/2009	Lohrman et al.	D9/453
D606,864	S *	12/2009	Robinson	D9/453
D632,958	S *	2/2011	Fuchs	D9/453
D633,386	S *	3/2011	Taber et al.	D9/453
D634,200	S *	3/2011	Taber et al.	D9/453
D634,633	S *	3/2011	Moreau et al.	D9/453
D638,707	S *	5/2011	Stoffers et al.	D9/453
D642,920	S *	8/2011	Taylor	D9/453
D643,288	S *	8/2011	Taylor	D9/453
2010/0072163	A1	3/2010	Krause	
2012/0211393	A1	8/2012	Krause	

**Related U.S. Application Data**

- (62) Division of application No. 12/476,475, filed on Jun. 2, 2009, now abandoned, and a division of application No. 29/418,229, filed on Apr. 13, 2010, now Pat. No. Des. 677,160.
- (51) **LOC (9) Cl.** ..... **09-07**
- (52) **U.S. Cl.**  
USPC ..... **D9/453**
- (58) **Field of Classification Search**  
USPC ..... D9/600, 614, 618, 623-628, 434, D9/441, 445, 451-454; D11/225; D7/511, D7/514-515, 518, 521, 392.1; 206/457, 206/527, 540; 220/890; 222/548, 551; 215/230, 329

See application file for complete search history.

\* cited by examiner

*Primary Examiner* — Sandra Morris

(74) *Attorney, Agent, or Firm* — Oakland Law Group PLLC

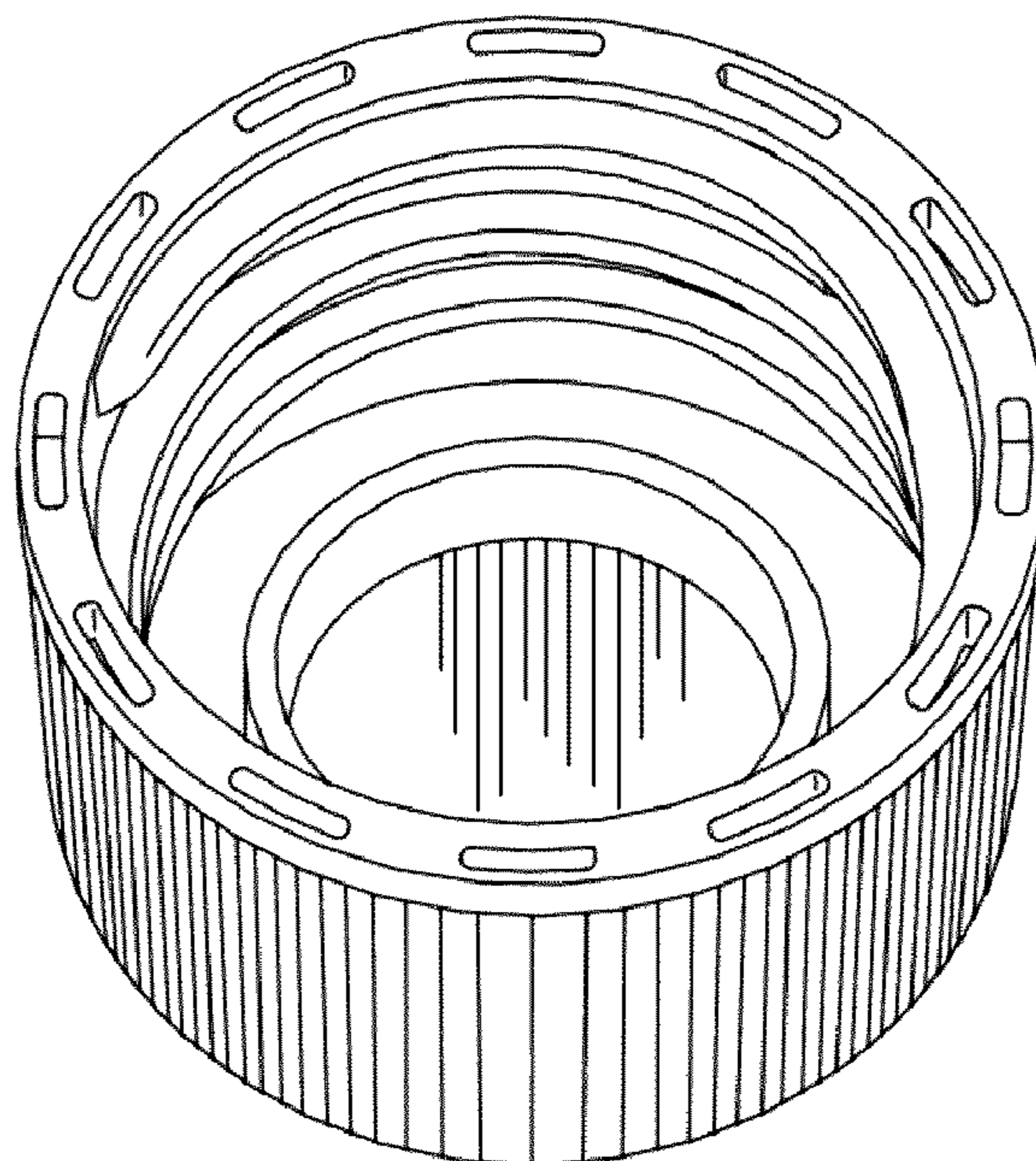
(57) **CLAIM**

The ornamental design for a bottle cap, as shown.

**DESCRIPTION**

FIG. 1 is a bottom perspective view of a bottle cap showing my new design; and, FIG. 2 is a bottom perspective view of an alternative embodiment thereof.

**1 Claim, 1 Drawing Sheet**



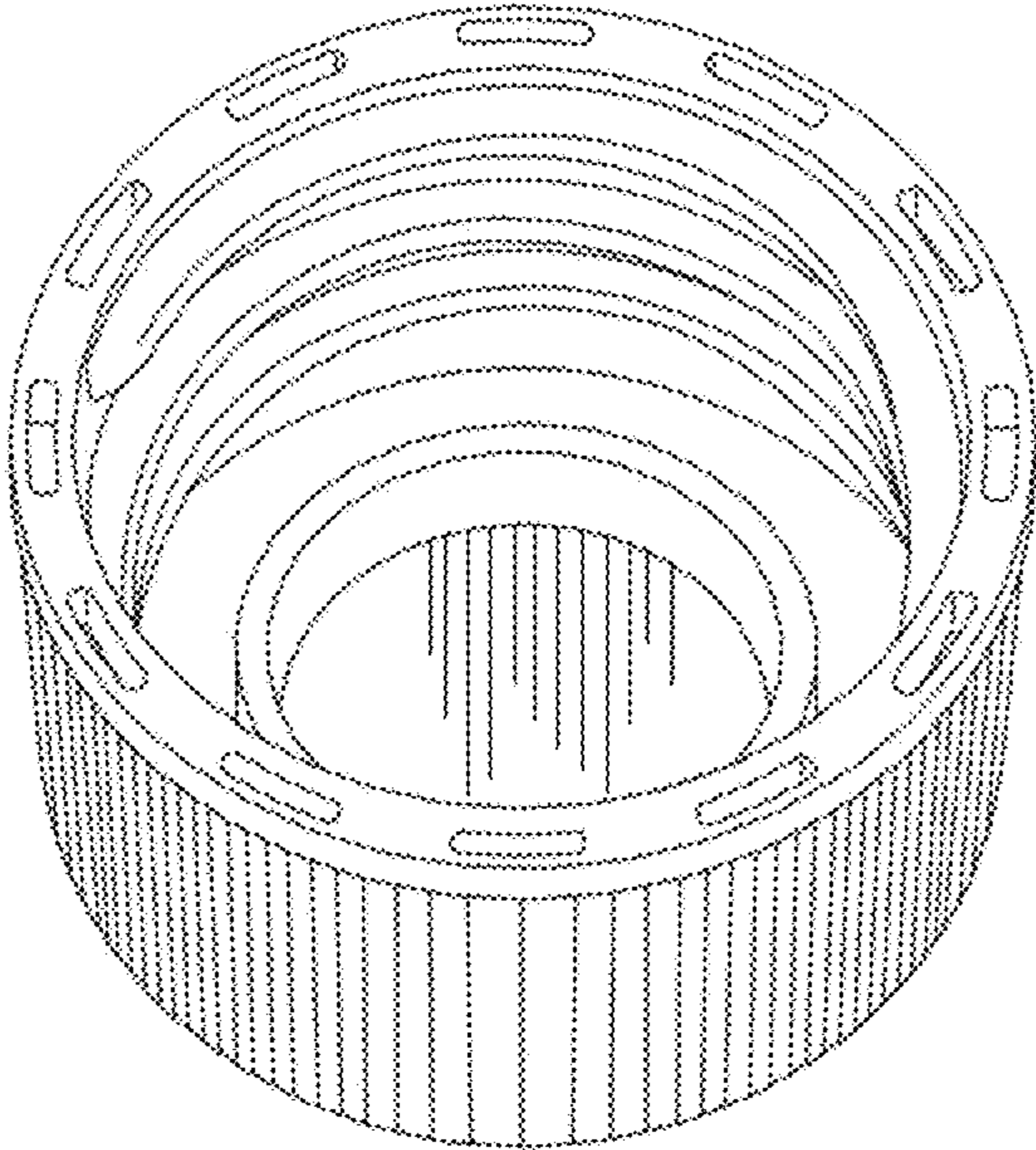


Fig. 1

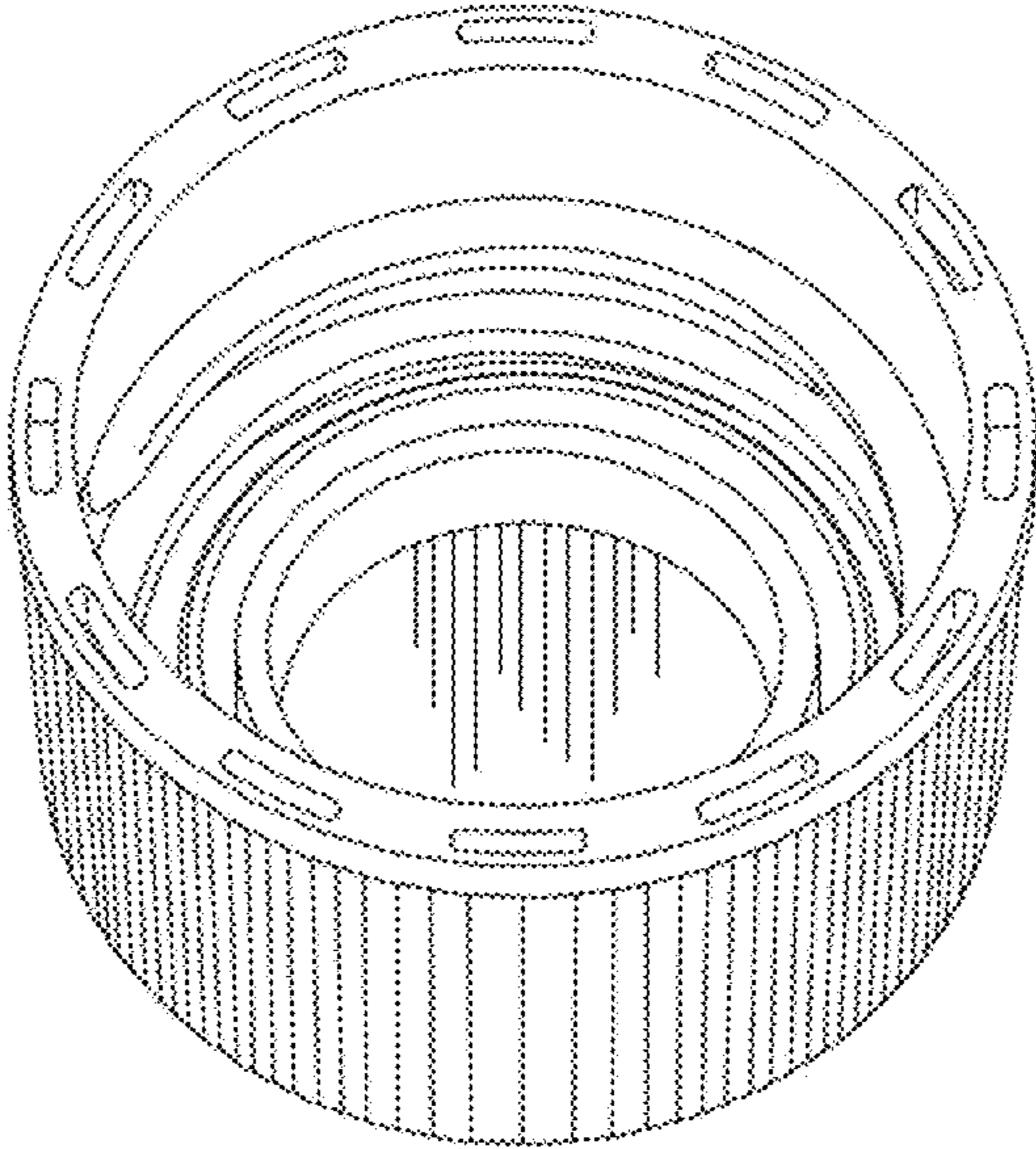


Fig. 2