



US00D688127S

(12) **United States Design Patent**
Agassi et al.

(10) **Patent No.:** **US D688,127 S**

(45) **Date of Patent:** **** Aug. 20, 2013**

(54) **SEALABLE POURER**

(71) Applicant: **Agam Innovations, Ltd.**, Tel Aviv (IL)

(72) Inventors: **Or Agassi**, Tel Aviv (IL); **Reuven Marko**, Netanya (IL)

(73) Assignee: **AGAM Innovations Ltd.**, Tel Aviv (IL)

(**) Term: **14 Years**

(21) Appl. No.: **29/443,459**

(22) Filed: **Jan. 17, 2013**

Related U.S. Application Data

(62) Division of application No. 29/394,407, filed on Jun. 16, 2011, now Pat. No. Des. 678,768.

(51) **LOC (9) Cl.** **09-07**

(52) **U.S. Cl.**
USPC **D9/440; D9/447**

(58) **Field of Classification Search**
USPC D7/387, 391, 392, 392.1, 397, 398,
D7/515; D9/434, 440, 441, 446, 447, 450;
222/189.7, 190, 477, 478, 481.5, 484, 567,
222/569; 220/711, 714, 717; 215/1, 21,
215/23, 25, 216, 245, 256, 316

See application file for complete search history.

(56) **References Cited**

U.S. PATENT DOCUMENTS

2,112,125	A	3/1938	Von Bultzingslowen	
D135,796	S *	6/1943	Mazzarelli	D9/447
D158,624	S *	5/1950	Staab	D9/440
2,642,207	A *	6/1953	Renzi	222/479
3,235,133	A *	2/1966	Zimmerman et al.	222/478
D217,330	S *	4/1970	Conry	D9/440
3,630,419	A	12/1971	Pierce	
3,750,915	A	8/1973	Kearney	

D229,826	S	1/1974	Raptis
3,796,348	A	3/1974	Zipper
3,894,661	A	7/1975	Guala
3,966,099	A	6/1976	Sanford, Jr. et al.
4,010,875	A	3/1977	Babiol
4,105,141	A	8/1978	Lane et al.
4,171,749	A	10/1979	Aichinger et al.
4,217,988	A	8/1980	Curtis et al.
4,261,484	A	4/1981	DaCosta et al.
4,311,259	A	1/1982	Babiol
4,384,662	A	5/1983	Boudin et al.
4,427,138	A	1/1984	Heinlein
4,497,422	A	2/1985	Klees
4,523,687	A	6/1985	Hullihen

(Continued)

OTHER PUBLICATIONS

International Search Authority: "Written Opinion of the International Searching Authority" (PCT Rule 43bis.1) including International Search Report for International Patent Application No. PCT/IL 11/00783; Date of Mailing: May 4, 2012.

Primary Examiner — Susan E Krakower

(74) *Attorney, Agent, or Firm* — Myers Wolin, LLC

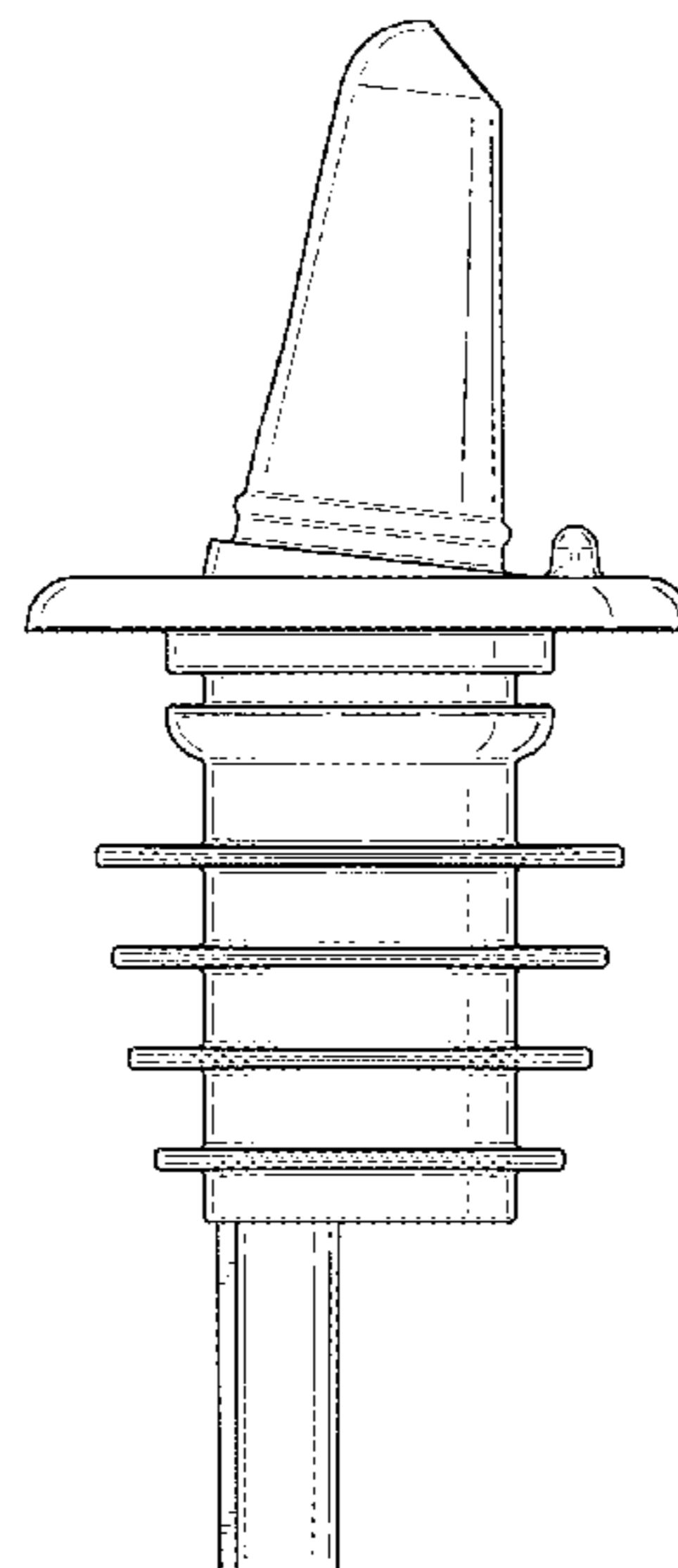
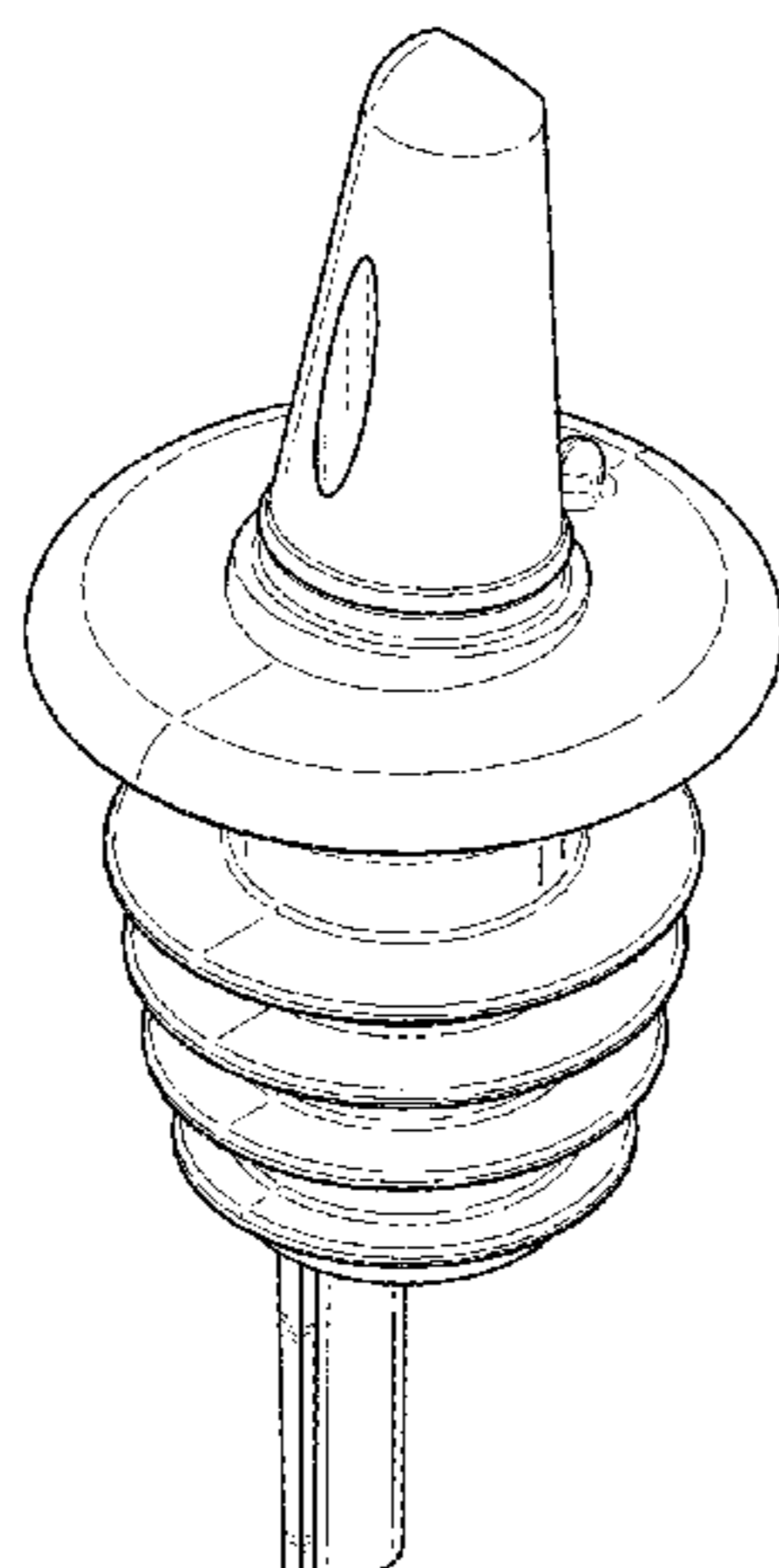
(57) **CLAIM**

We claim the ornamental design for a sealable pourer, as shown and described.

DESCRIPTION

FIG. 1 is a left rear isometric view of one embodiment of a sealable pourer showing our new design;
FIG. 2 is a left side elevation view thereof, the right side elevation being identical;
FIG. 3 is a front elevation view thereof;
FIG. 4 is a rear elevation view thereof;
FIG. 5 is a cross-sectional view taken along line 5-5 in FIG. 4;
FIG. 6 is a top view thereof; and,
FIG. 7 is a bottom view thereof.

1 Claim, 4 Drawing Sheets



(56)

References Cited

U.S. PATENT DOCUMENTS

4,597,513 A 7/1986 Schiemann
 D285,055 S 8/1986 Heubel
 D285,892 S 9/1986 Doyel
 4,736,871 A 4/1988 Luciani et al.
 4,756,435 A 7/1988 Schick et al.
 4,869,399 A 9/1989 Dubach
 4,884,705 A 12/1989 Debetencourt
 4,984,711 A 1/1991 Ellis
 5,020,690 A 6/1991 Kishikawa et al.
 5,044,530 A 9/1991 Stull
 5,072,861 A * 12/1991 Jou 222/481
 D326,818 S 6/1992 Maguire
 5,181,632 A 1/1993 Latter
 5,211,318 A 5/1993 Govatzidakis
 5,246,150 A * 9/1993 Delia 222/498
 5,303,839 A 4/1994 Blumenschein
 5,303,850 A 4/1994 Connan
 5,346,099 A 9/1994 Salmon et al.
 D363,220 S * 10/1995 Charbonneau et al. D9/436
 5,462,201 A 10/1995 Wilkins
 5,713,491 A 2/1998 Hughes et al.
 5,785,209 A 7/1998 Guglielmini
 5,799,836 A 9/1998 Lee
 5,823,383 A 10/1998 Hins
 5,961,008 A 10/1999 Peckels
 D418,417 S 1/2000 Hollinger
 6,016,935 A 1/2000 Huegerich et al.
 6,085,949 A 7/2000 Zimny et al.
 6,123,225 A 9/2000 Peckels
 6,138,849 A 10/2000 Roemer et al.
 6,149,022 A 11/2000 Akyildiz et al.
 D437,782 S * 2/2001 Haley et al. D9/440
 6,315,160 B1 11/2001 Gaiser et al.
 6,409,054 B1 6/2002 Garibaldi
 D465,387 S * 11/2002 DuBow D7/700
 6,488,186 B2 12/2002 Gaiser et al.
 D468,205 S 1/2003 Pierce
 6,568,660 B1 5/2003 Flanbaum
 D484,801 S 1/2004 Pierce

6,742,678 B1 6/2004 Krystopik, Jr.
 D501,359 S 2/2005 Bodum
 6,851,584 B2 2/2005 White
 6,851,586 B2 2/2005 Odet
 6,883,689 B2 4/2005 Odet
 6,892,905 B2 5/2005 Cousseau
 D513,180 S 12/2005 Lindsey et al.
 D529,799 S 10/2006 Jensen
 D533,776 S 12/2006 Allen et al.
 7,237,692 B2 7/2007 Bodum
 7,300,580 B2 11/2007 Lindsey et al.
 D566,461 S * 4/2008 McDonald D7/398
 7,407,067 B2 8/2008 Kerkhof et al.
 D577,997 S 10/2008 Pan
 D587,524 S 3/2009 Allen et al.
 D587,571 S 3/2009 Gonzales, Jr.
 D591,594 S 5/2009 Jalet
 7,527,180 B2 5/2009 Allen et al.
 7,549,559 B2 * 6/2009 Conroy et al. 222/556
 D595,993 S * 7/2009 Allen et al. D7/398
 7,622,039 B2 11/2009 Farrell et al.
 7,658,306 B2 * 2/2010 Allen et al. 222/481.5
 D633,753 S 3/2011 White
 D639,421 S 6/2011 Sano et al.
 D652,251 S 1/2012 Goralski et al.
 8,245,882 B1 8/2012 Federighi
 D668,953 S * 10/2012 Maxwell D9/447
 2005/0194410 A1 9/2005 Pham
 2006/0000855 A1 1/2006 Allen et al.
 2008/0017675 A1 1/2008 Pressey
 2008/0073383 A1 3/2008 McDonald
 2008/0099514 A1 5/2008 Carter et al.
 2008/0237178 A1 10/2008 Ochoa et al.
 2008/0272147 A1 11/2008 Buker et al.
 2008/0314858 A1 * 12/2008 Twohig et al. 215/307
 2010/0006590 A1 1/2010 Withoos et al.
 2010/0038378 A1 2/2010 Gabler et al.
 2010/0091605 A1 4/2010 Rasmussen et al.
 2011/0024383 A1 2/2011 McKenna et al.
 2012/0085790 A1 * 4/2012 Agassi et al. 222/479

* cited by examiner

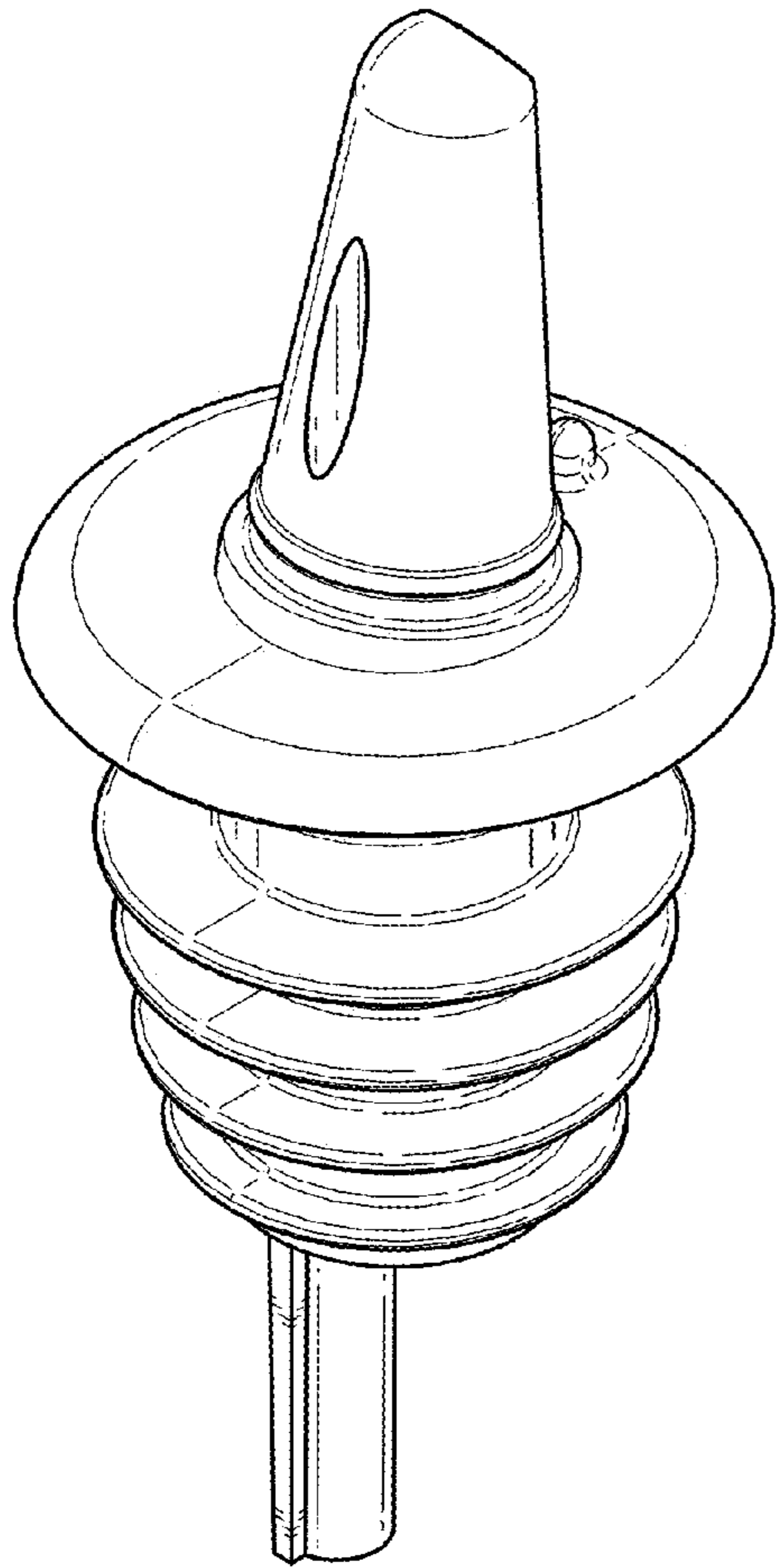


FIG. 1

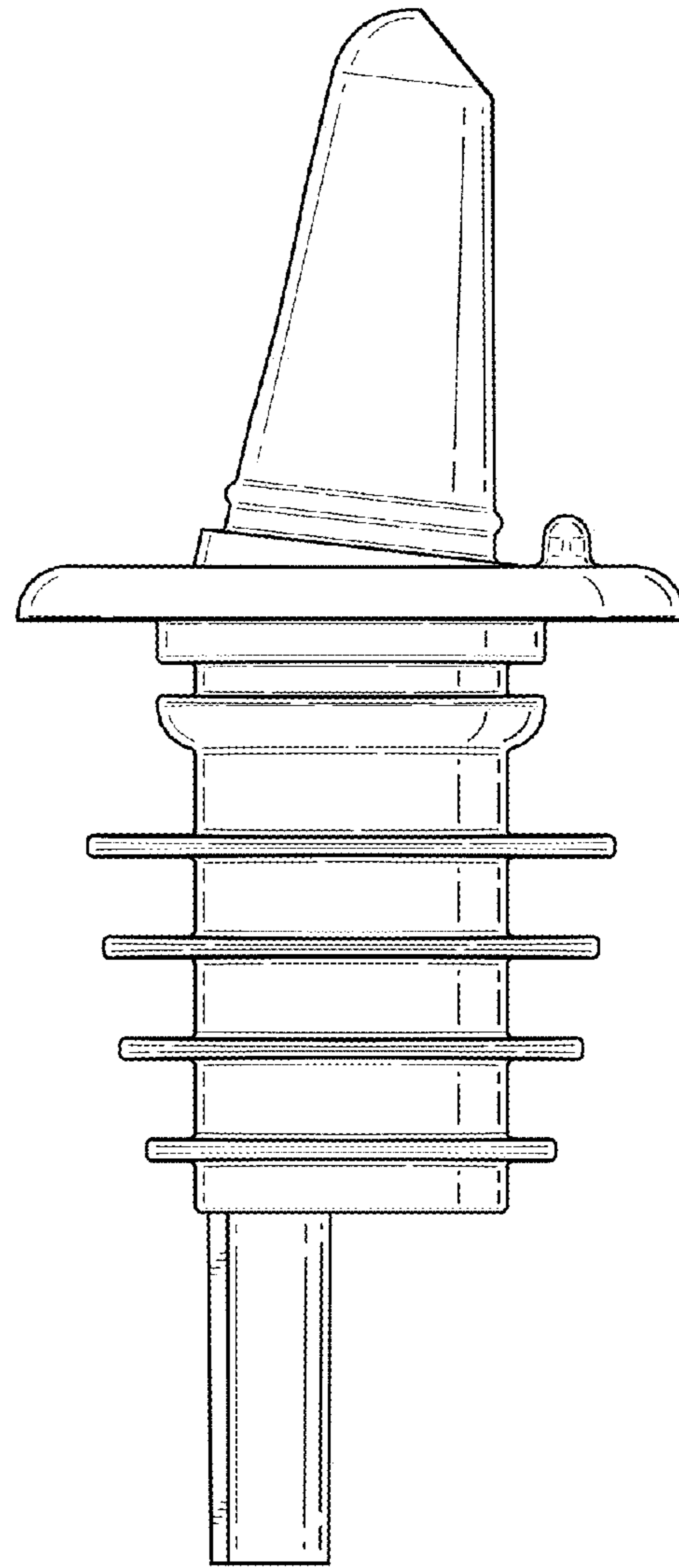


FIG. 2

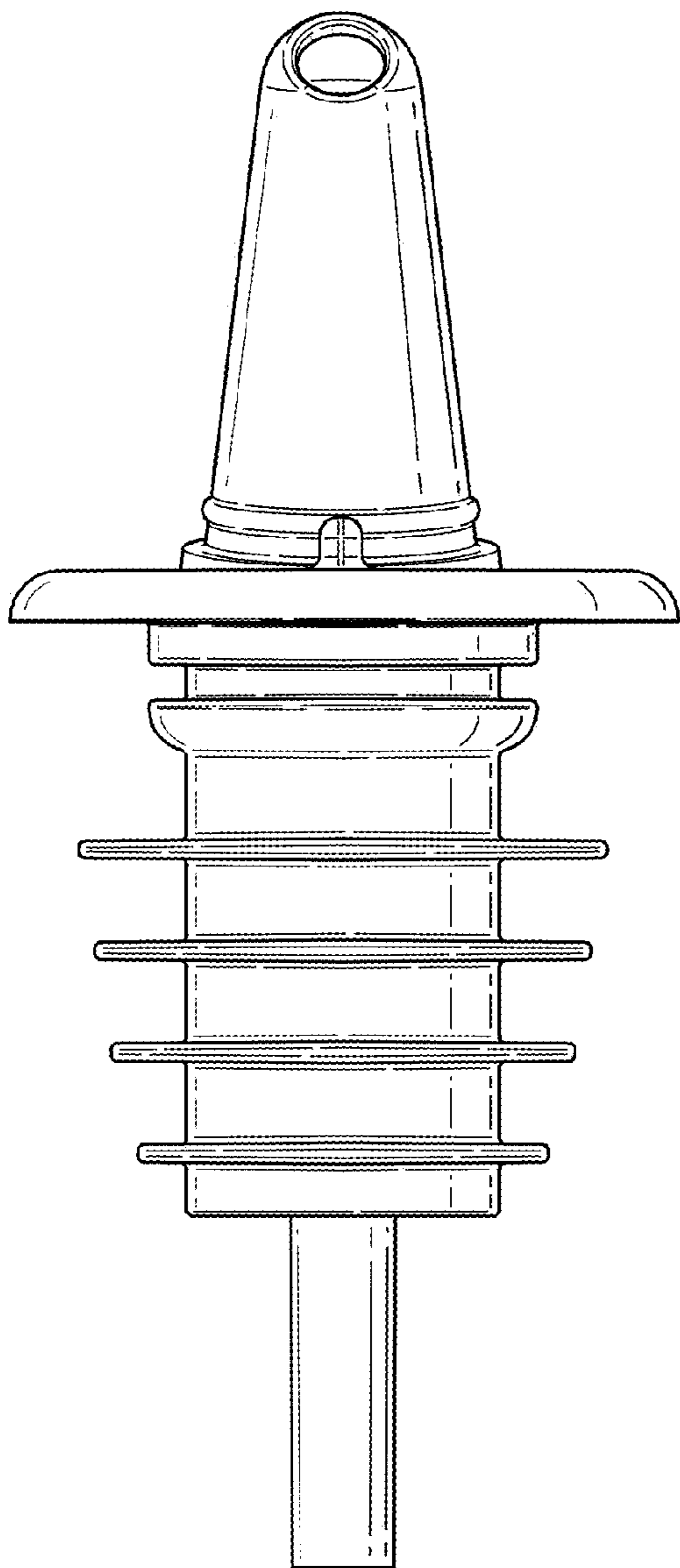
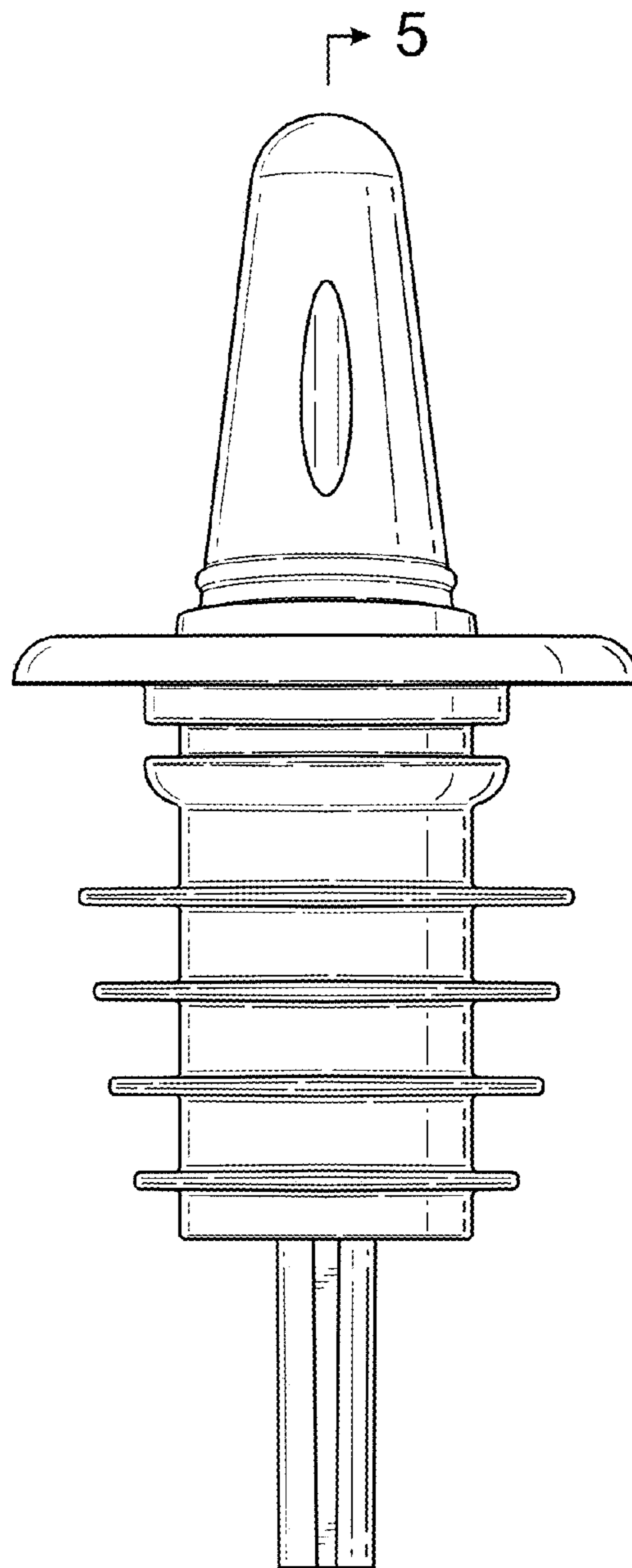


FIG. 3



5

FIG. 4

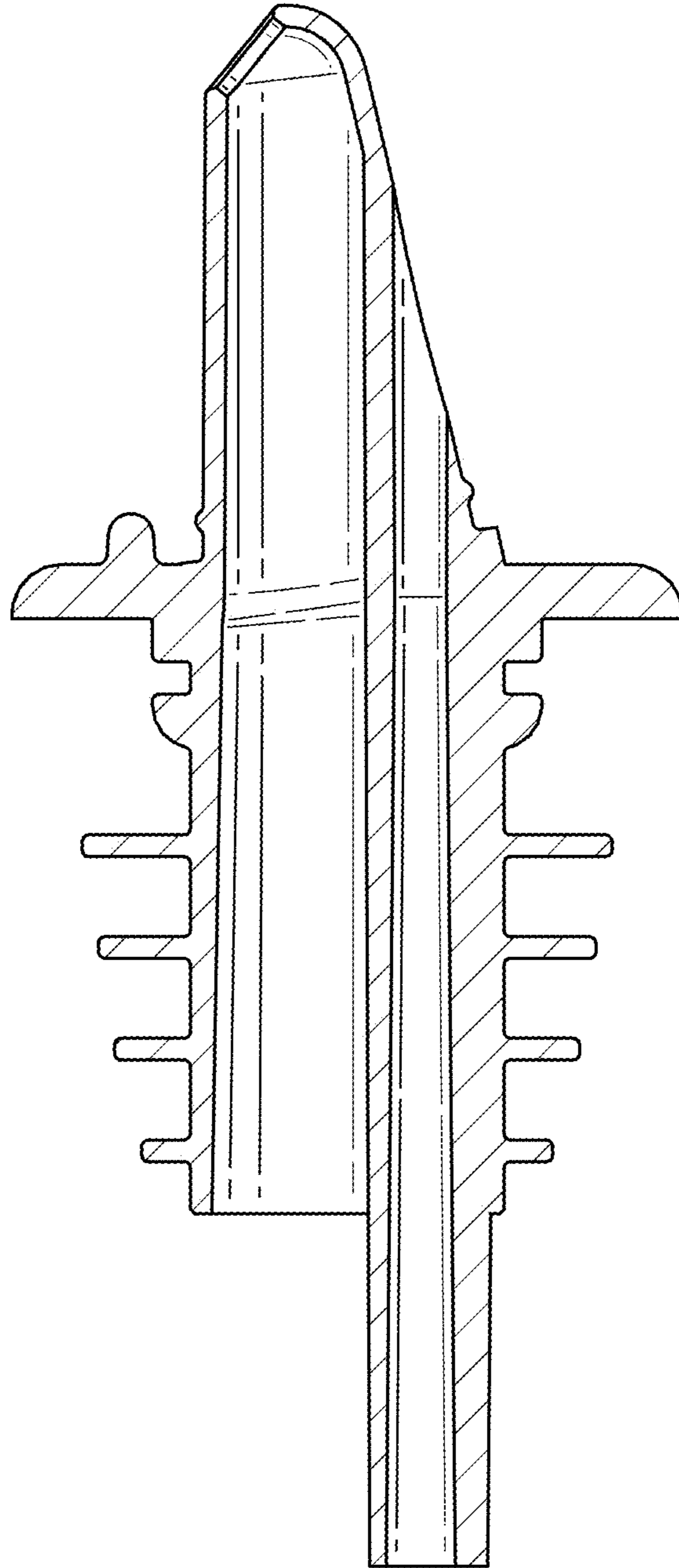


FIG. 5

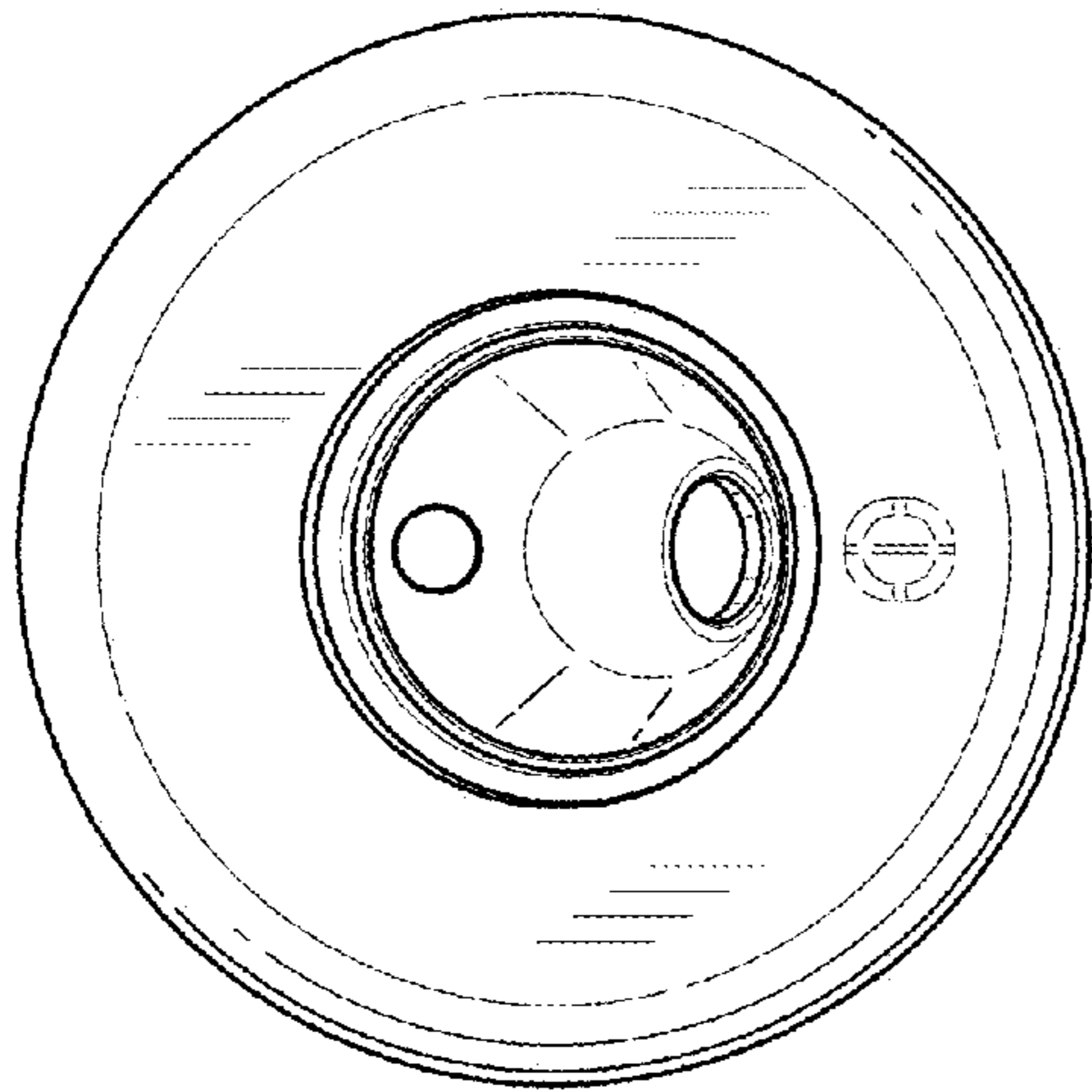


FIG. 6

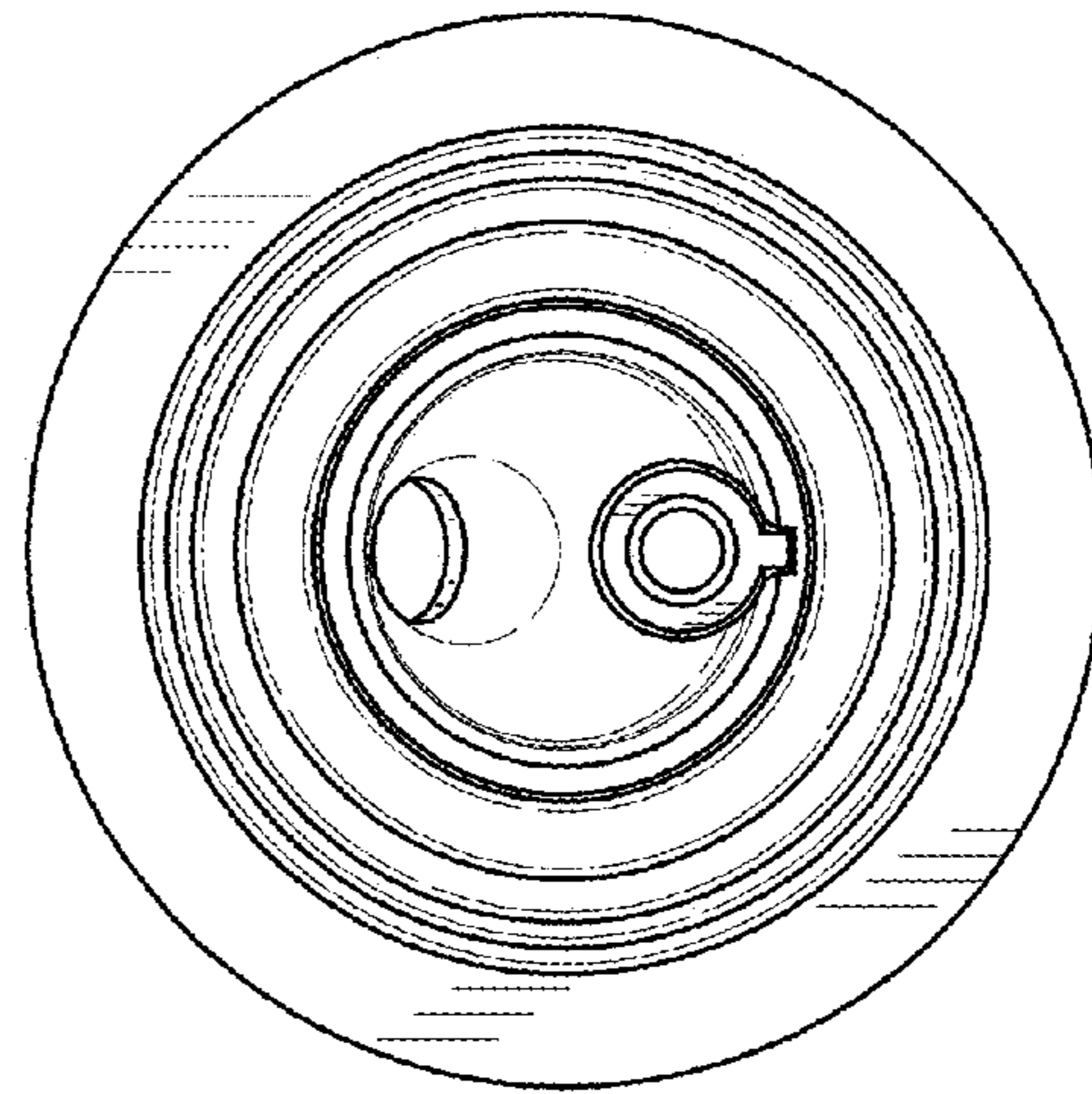


FIG. 7