



US00D688126S

(12) **United States Design Patent**
Snedden et al.

(10) **Patent No.:** **US D688,126 S**

(45) **Date of Patent:** **** Aug. 20, 2013**

(54) **CONTAINER PORTION**

(75) Inventors: **Craig R. Snedden**, Culver City, CA (US); **Cesar E. Ramirez**, Los Angeles, CA (US); **Gandhi B. Sifuentes**, West Covina, CA (US)

(73) Assignee: **Direct Pack, Inc.**, Sun Valley, CA (US)

(**) Term: **14 Years**

(21) Appl. No.: **29/426,303**

(22) Filed: **Jul. 3, 2012**

(51) **LOC (9) Cl.** **09-07**

(52) **U.S. Cl.**
USPC **D9/435; D9/452**

(58) **Field of Classification Search**
USPC D9/780, 772, 767, 763, 454, 438, D9/425, 432; D7/396.2, 392.1, 627, 605, D7/553.2, 541; 220/713, 711, 703, 377, 220/273, 270, 256.1, 254.1, 906, 367.1, 366.1, 220/276, 272, 271, 265; 229/406, 123.2
See application file for complete search history.

(56) **References Cited**

U.S. PATENT DOCUMENTS

D319,978 S	9/1991	Wolff
D501,403 S	2/2005	Wilcock et al.
D502,096 S	2/2005	Wilcock et al.
D531,802 S	11/2006	Zimmerman
D590,706 S	4/2009	Doliwa et al.

D610,448 S	*	2/2010	Drozek et al.	D9/424
D627,218 S	*	11/2010	Golota et al.	D9/424
D628,478 S		12/2010	Snedden et al.		
D628,479 S		12/2010	Snedden et al.		
D631,339 S	*	1/2011	Golota et al.	D9/425
D646,969 S		10/2011	Snedden et al.		
D652,716 S		1/2012	Snedden et al.		
D655,606 S	*	3/2012	Snedden et al.	D9/452
D660,147 S		5/2012	Snedden et al.		
D666,904 S	*	9/2012	Snedden et al.	D9/424
8,322,530 B2		12/2012	Furlong		

* cited by examiner

Primary Examiner — Susan Bennett Hattan

(74) *Attorney, Agent, or Firm* — Frost Brown Todd LLC

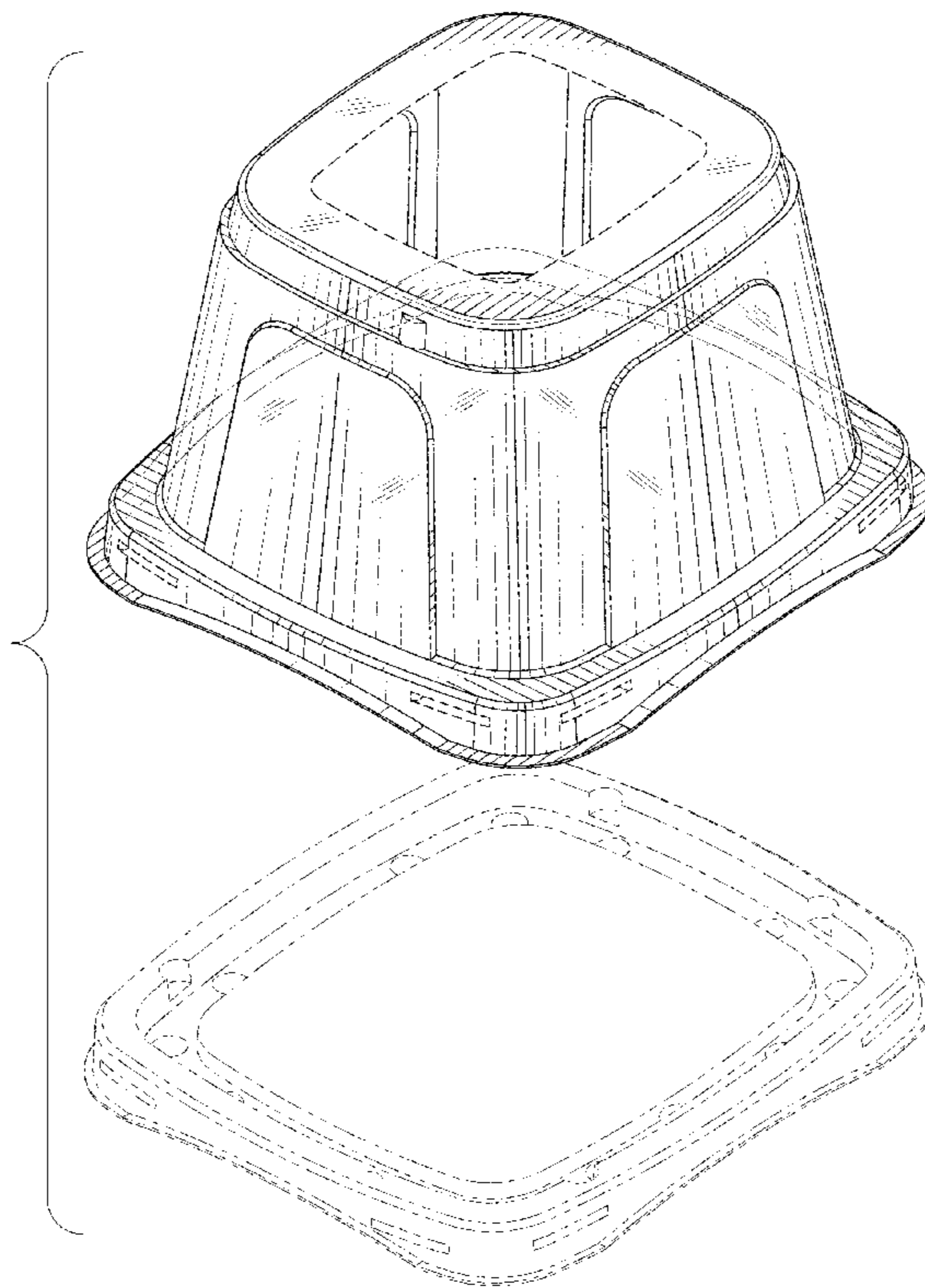
(57) **CLAIM**

The ornamental design for a container portion, as shown and described.

DESCRIPTION

FIG. 1 is a top perspective view of a container portion, showing our new design;
FIG. 2 is a left elevation view thereof;
FIG. 3 is a right elevation view thereof;
FIG. 4 is a back elevation view thereof;
FIG. 5 is a front elevation view thereof;
FIG. 6 is a top plan view thereof; and,
FIG. 7 is a bottom plan view thereof.
The protrusions, recesses, openings, and container portion shown in broken lines are unclaimed environment, and form no part of the claimed design.

1 Claim, 7 Drawing Sheets



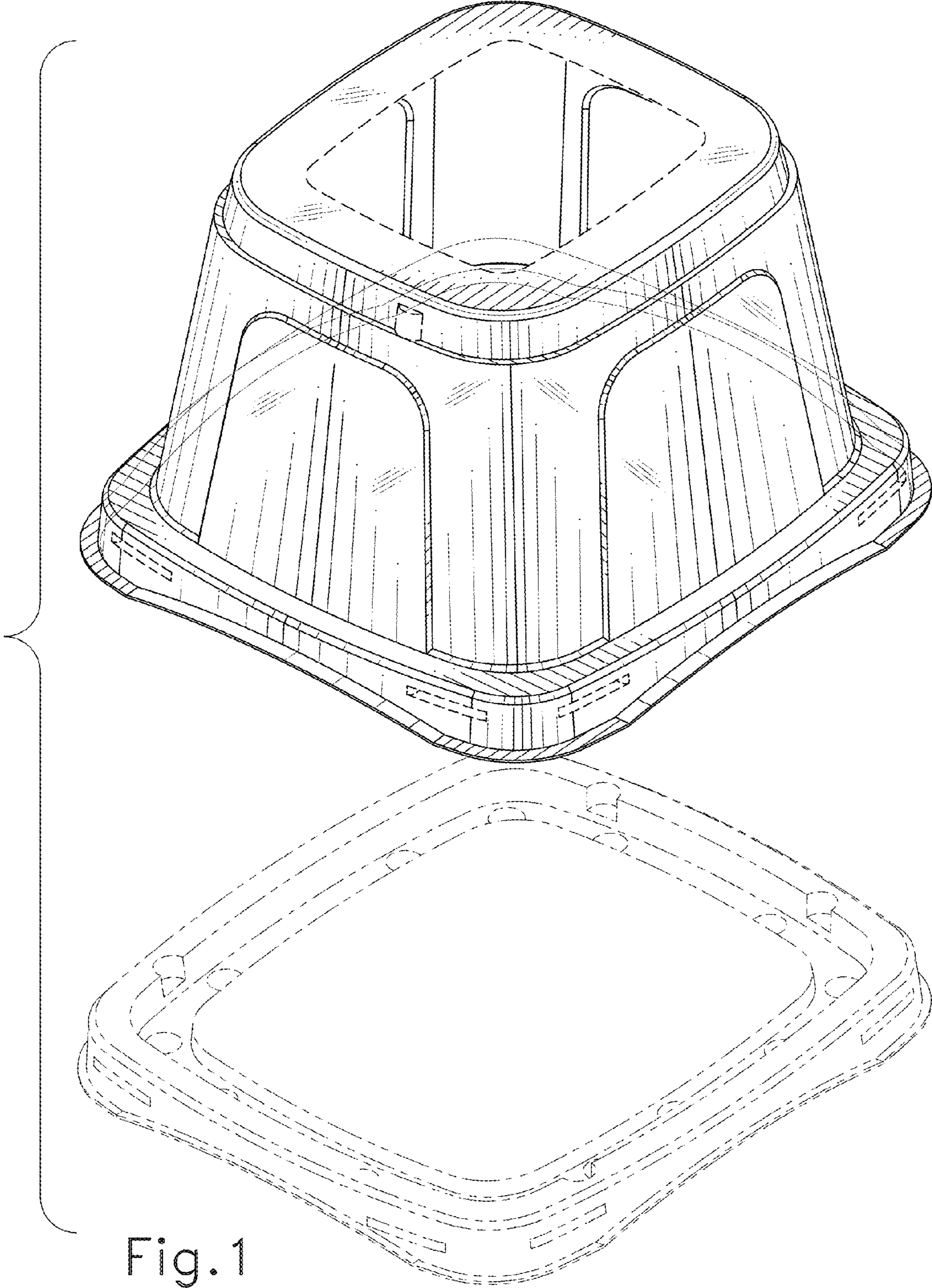


Fig. 1

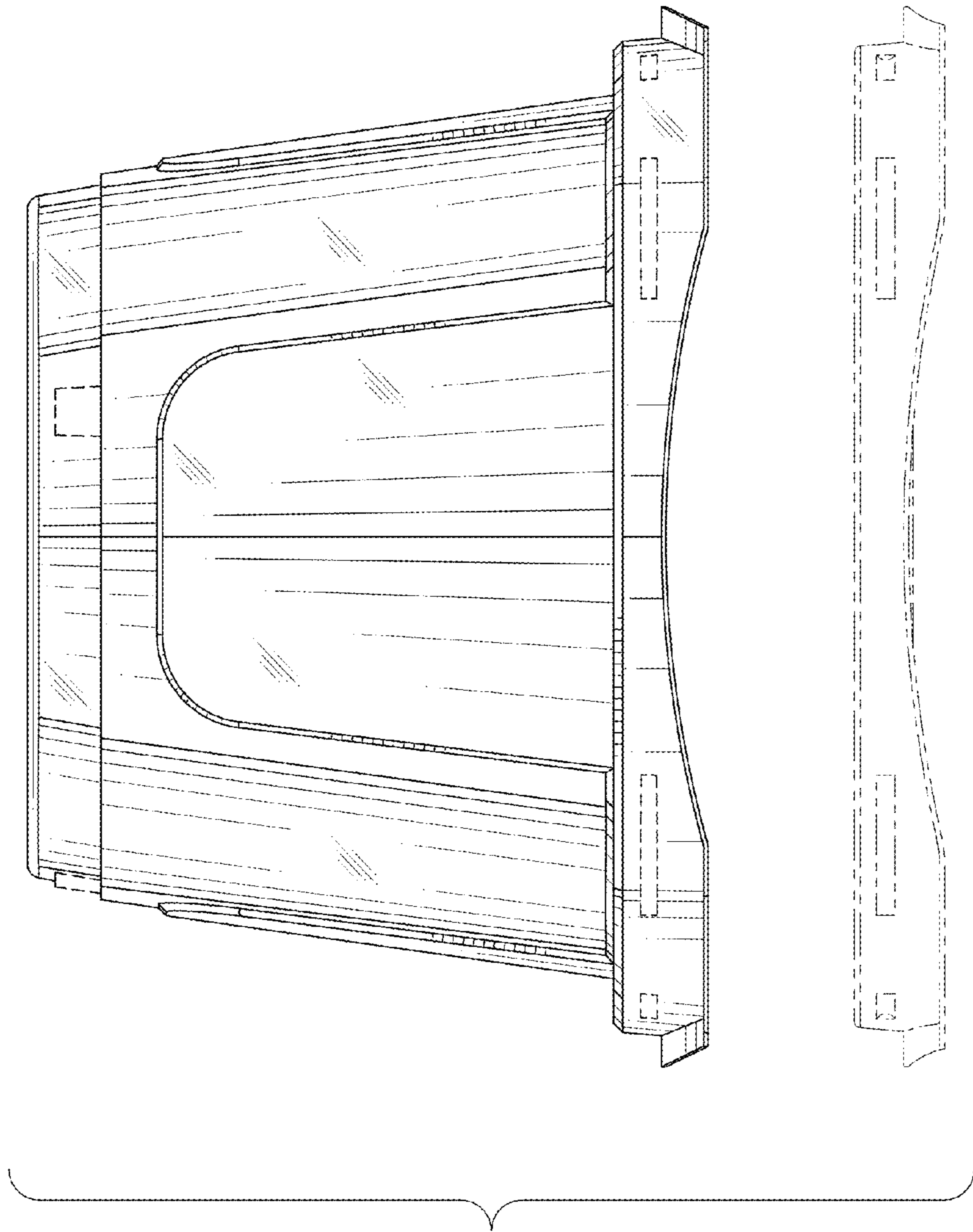


Fig. 2

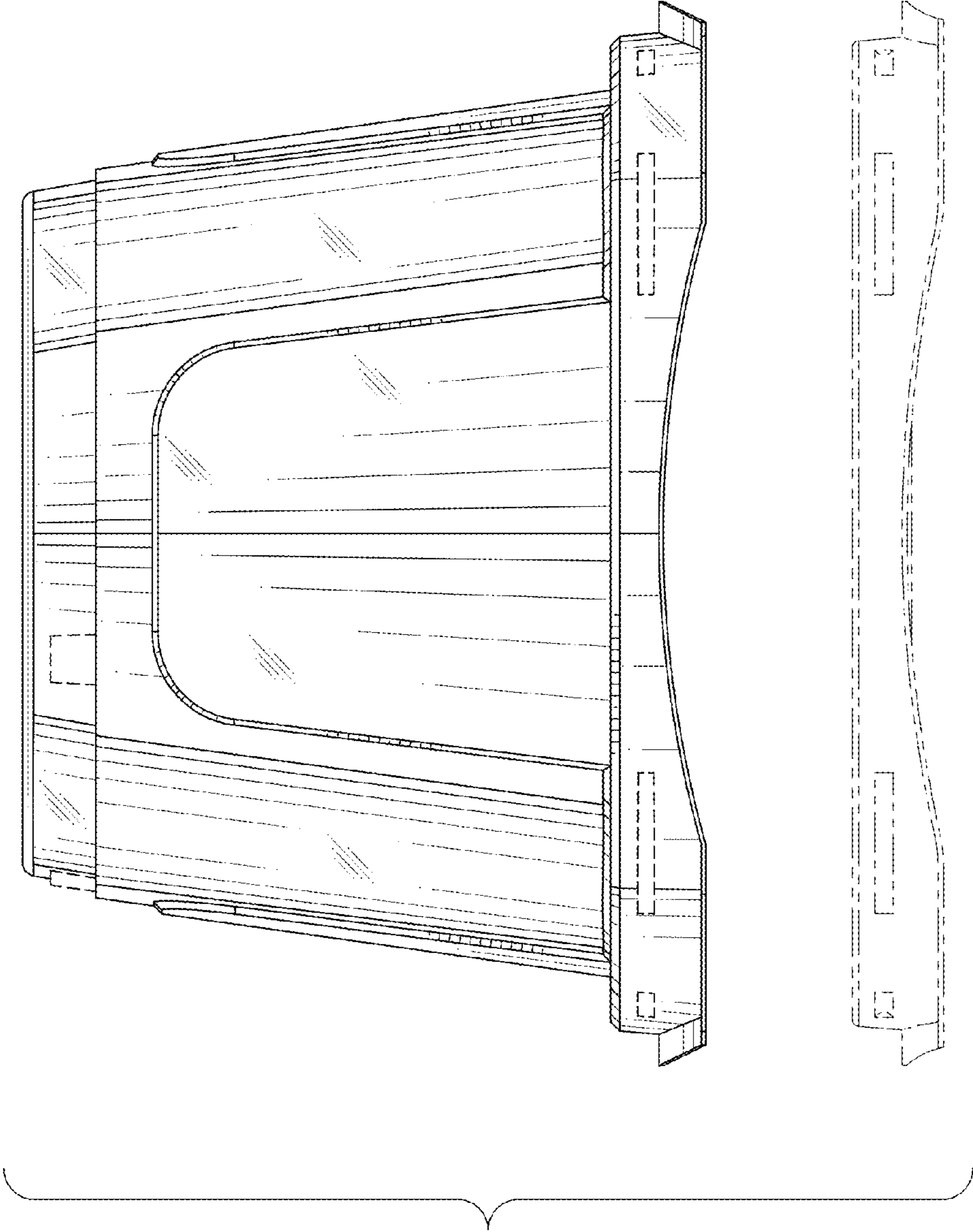


Fig. 3

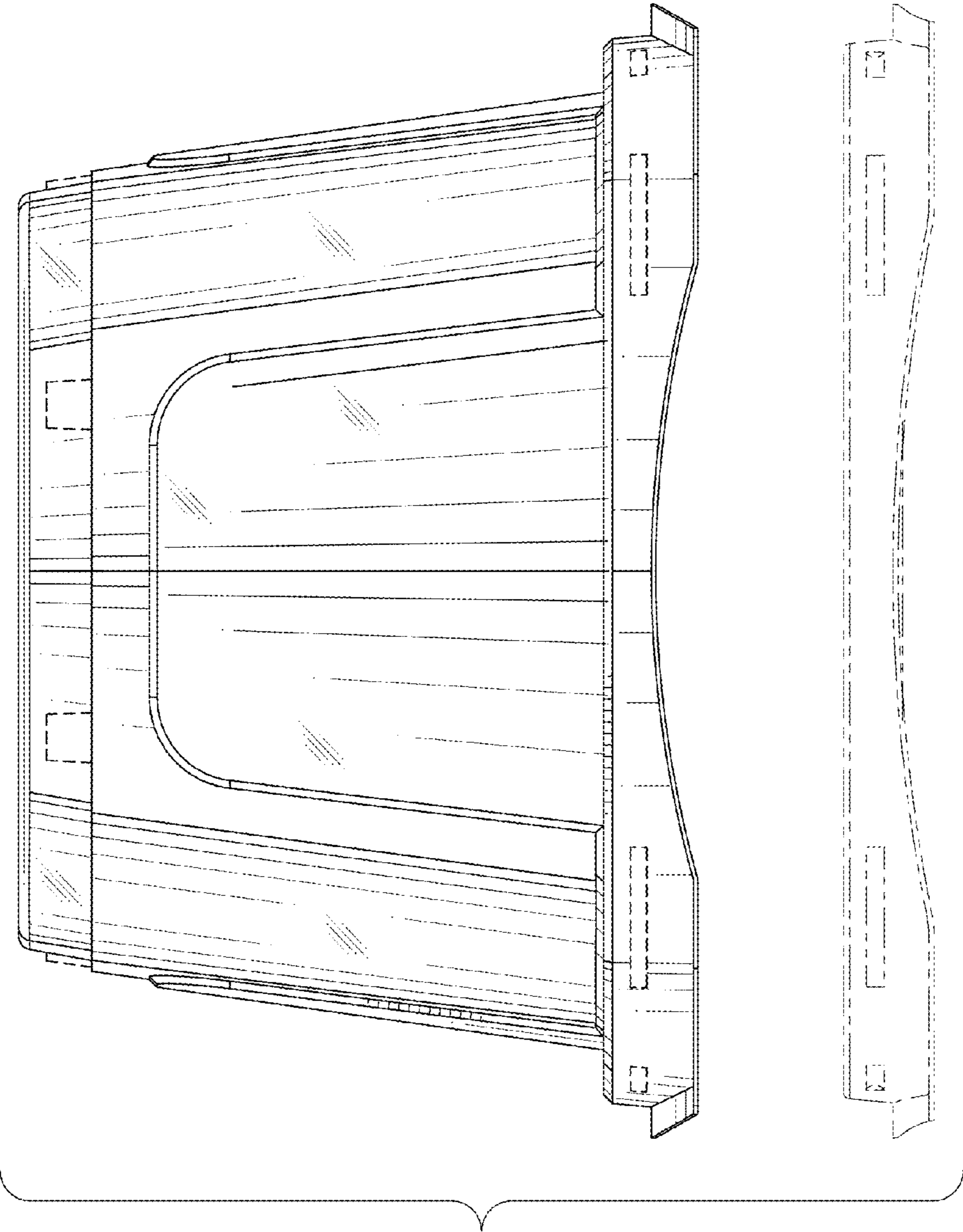


Fig. 4

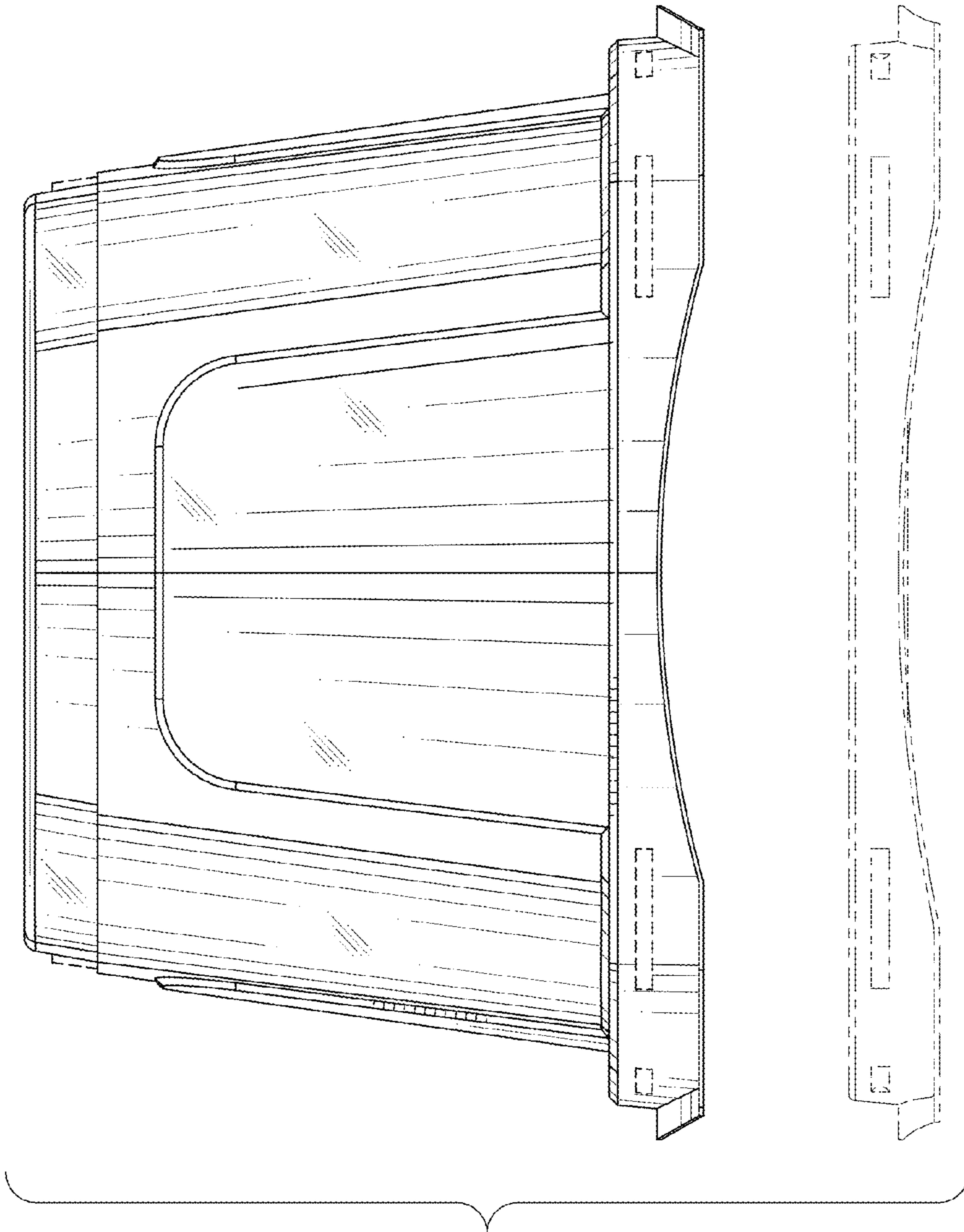


Fig. 5

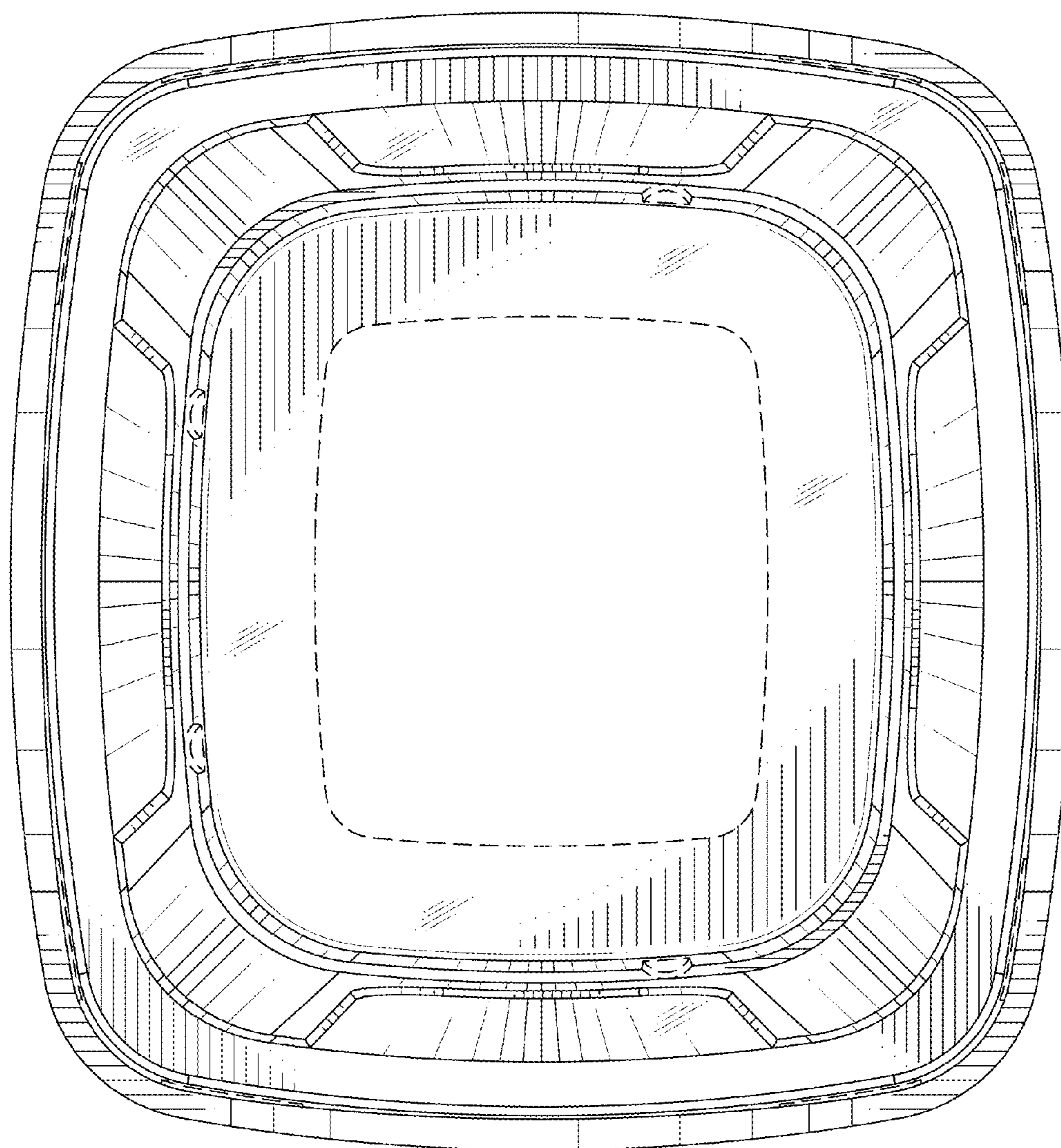


Fig.6

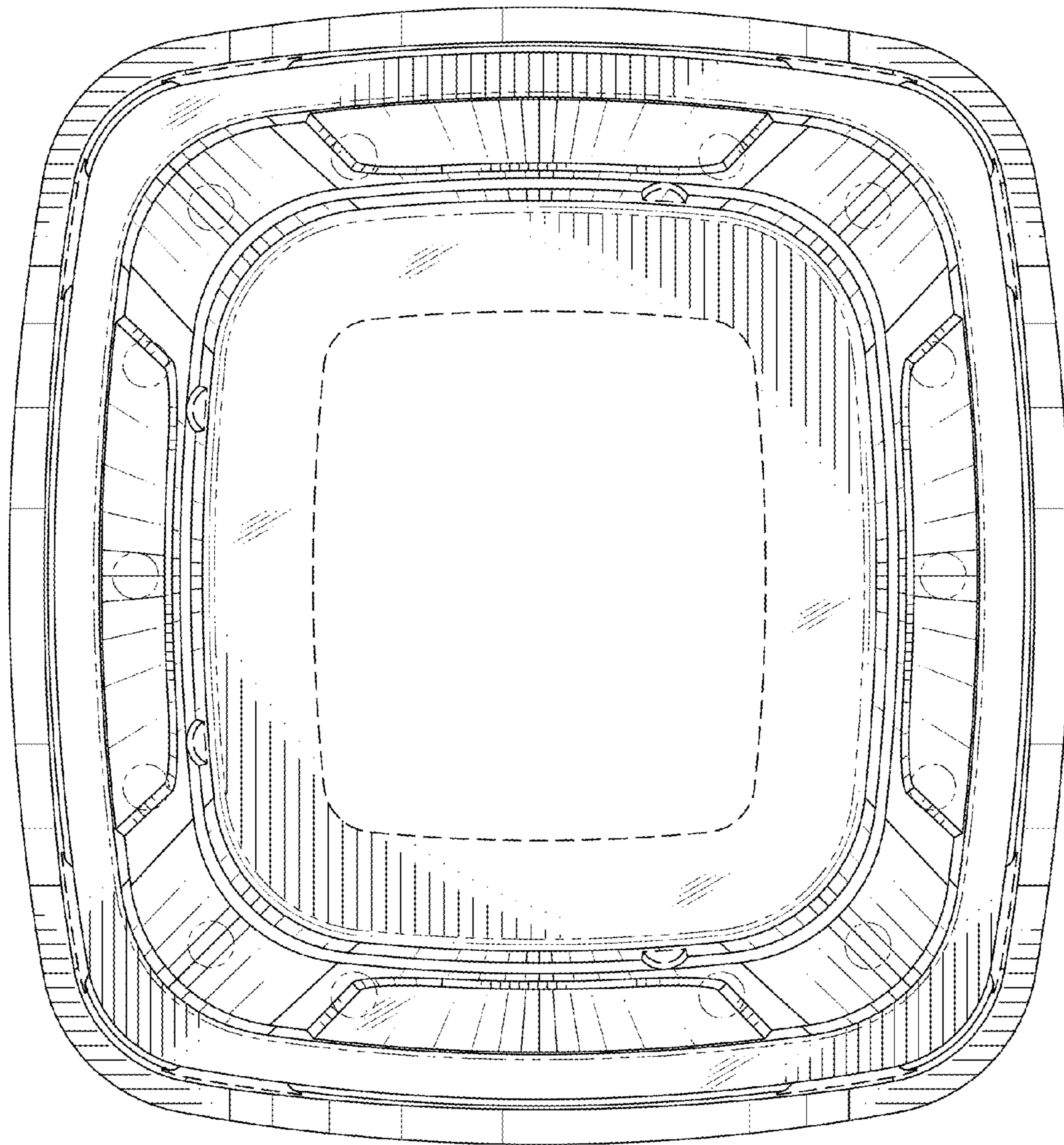


Fig.7