



US00D688122S

(12) **United States Design Patent**
Wasco

(10) **Patent No.:** **US D688,122 S**

(45) **Date of Patent:** **** Aug. 20, 2013**

(54) **CLIP**

(71) Applicant: **Julie Wasco**, Bloomfield Hills, MI (US)

(72) Inventor: **Julie Wasco**, Bloomfield Hills, MI (US)

(**) Term: **14 Years**

(21) Appl. No.: **29/444,127**

(22) Filed: **Jan. 25, 2013**

(51) **LOC (9) Cl.** **08-08**

(52) **U.S. Cl.**
USPC **D8/395**; D8/396

(58) **Field of Classification Search**
USPC D8/354, 356, 371, 394-396; D19/65,
D19/86; D24/128; 248/74.2, 215, 227.1,
248/49, 300, 301, 316.7, 51, 489; 24/570,
24/3.12; D32/61; D11/78.1; D25/119, 124
See application file for complete search history.

(56) **References Cited**

U.S. PATENT DOCUMENTS

- D194,785 S * 3/1963 Sasse et al. D20/43
- D366,410 S * 1/1996 Schlabach D8/395
- D464,238 S * 10/2002 Kelly-Lindsey et al. D8/16

- D537,329 S * 2/2007 Blanton D8/395
- D595,568 S * 7/2009 Ellwood D8/395
- D598,140 S * 8/2009 Bergmann D25/124
- D602,607 S * 10/2009 Wickland D25/124
- D610,441 S * 2/2010 Jones D8/394
- D635,692 S * 4/2011 Wirthgen D25/119
- D661,411 S * 6/2012 Lee D25/124
- D672,888 S * 12/2012 Veryser D25/124
- D677,404 S * 3/2013 Griffiths D25/119

* cited by examiner

Primary Examiner — John Windmuller

(74) *Attorney, Agent, or Firm* — Rader, Fishman & Grauer, PLLC

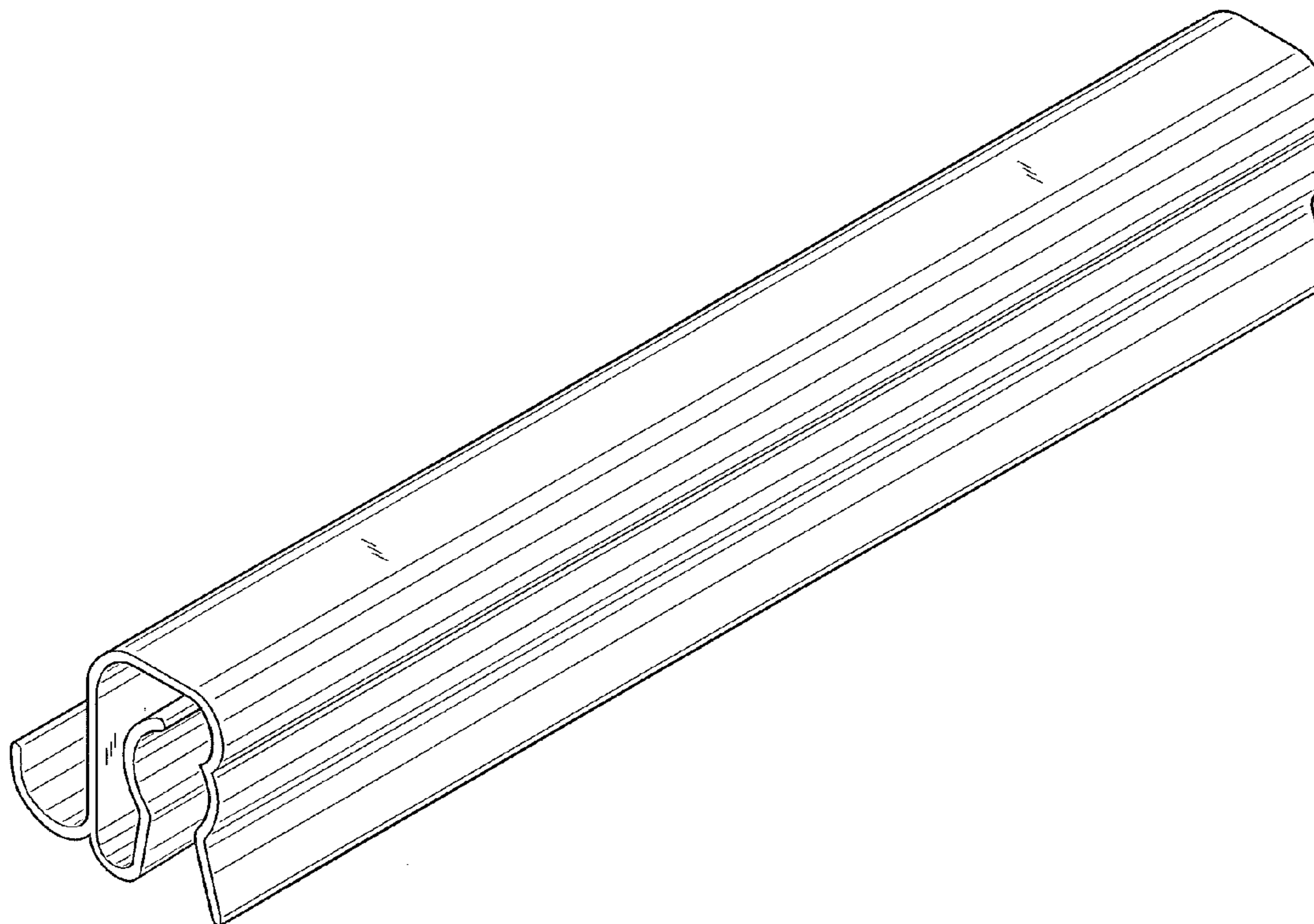
(57) **CLAIM**

The ornamental design for a clip, as shown and described.

DESCRIPTION

FIG. 1 is a perspective view of the clip in accordance with the present design;
 FIG. 2 is a front elevational view thereof;
 FIG. 3 is a rear elevational view thereof;
 FIG. 4 is a right side elevational view thereof;
 FIG. 5 is a left side elevational view thereof;
 FIG. 6 is a top plan view thereof; and,
 FIG. 7 is a bottom plan view thereof.

1 Claim, 3 Drawing Sheets



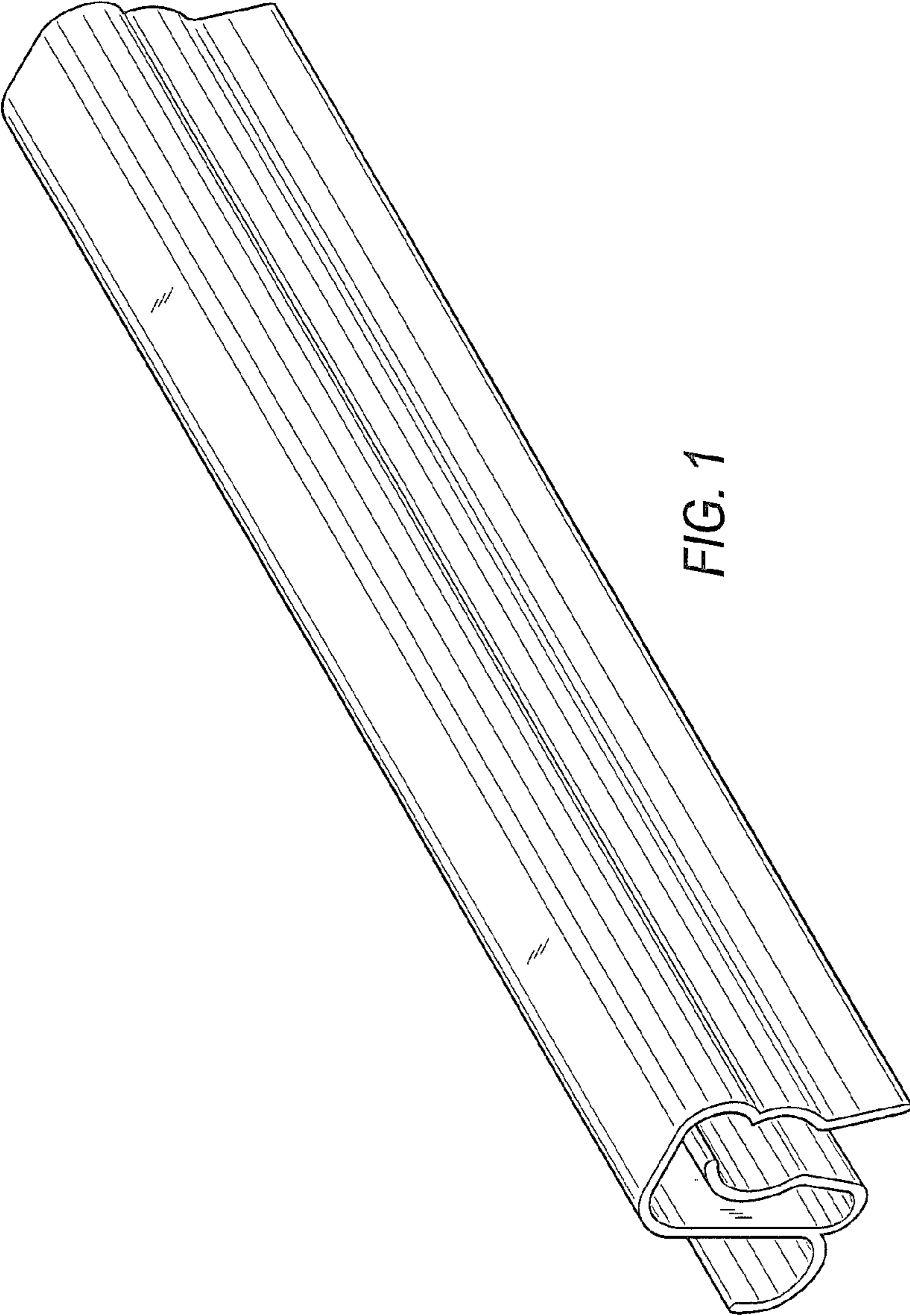


FIG. 1

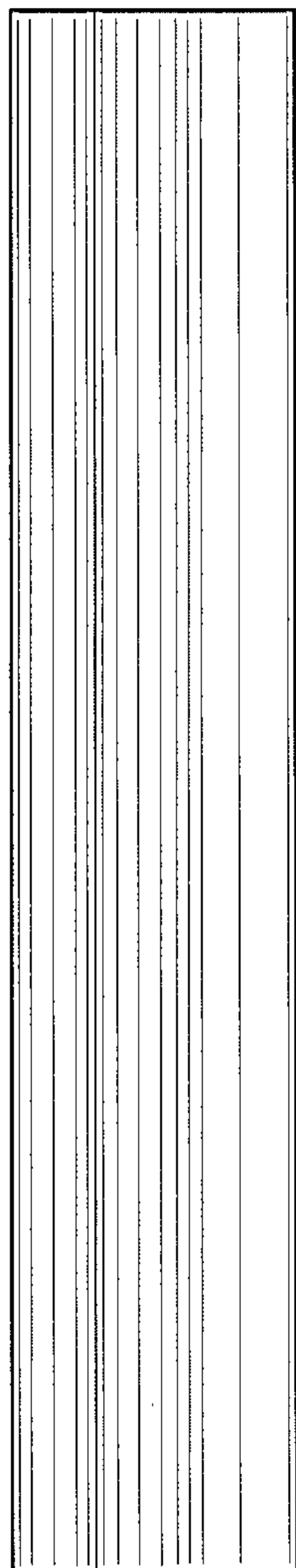


FIG. 2

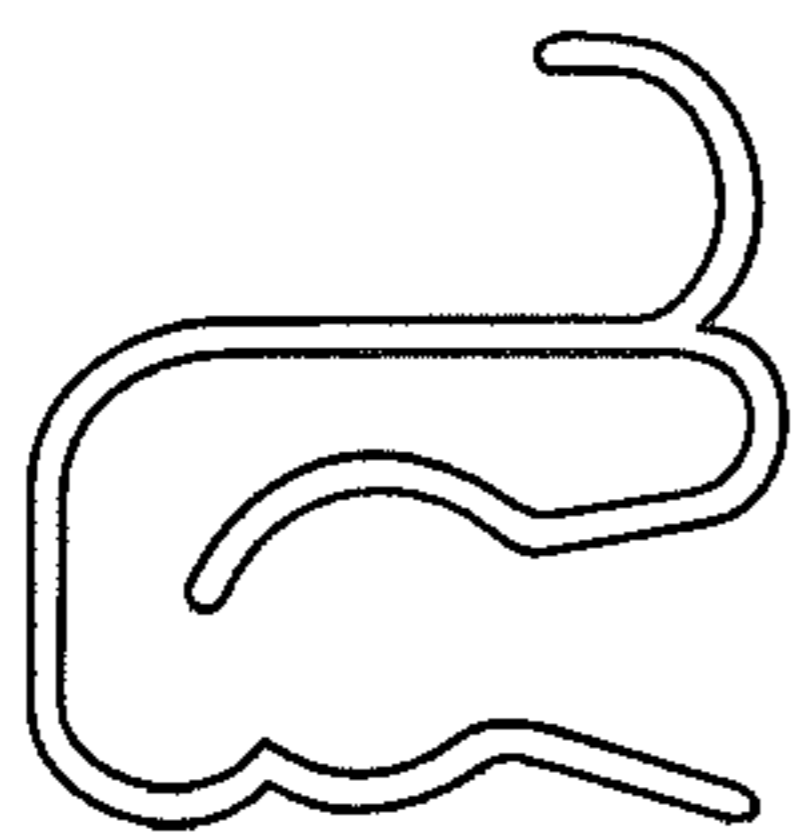


FIG. 4

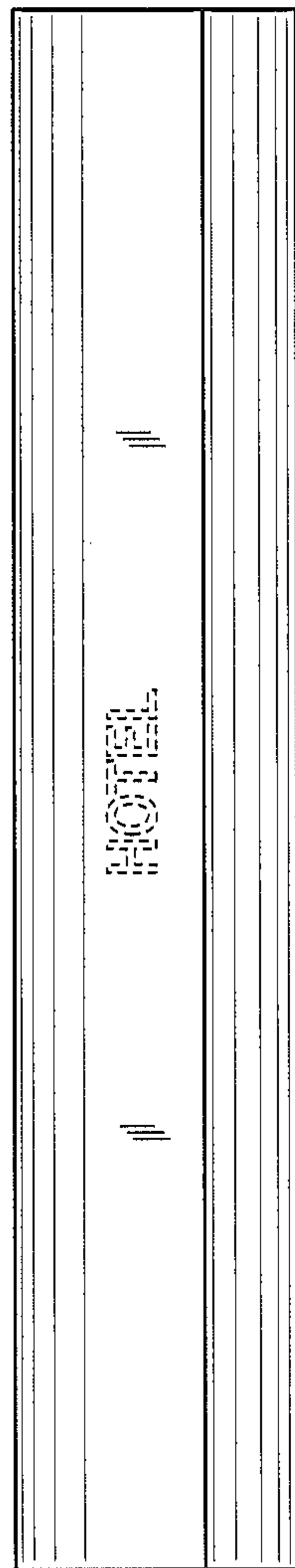


FIG. 3

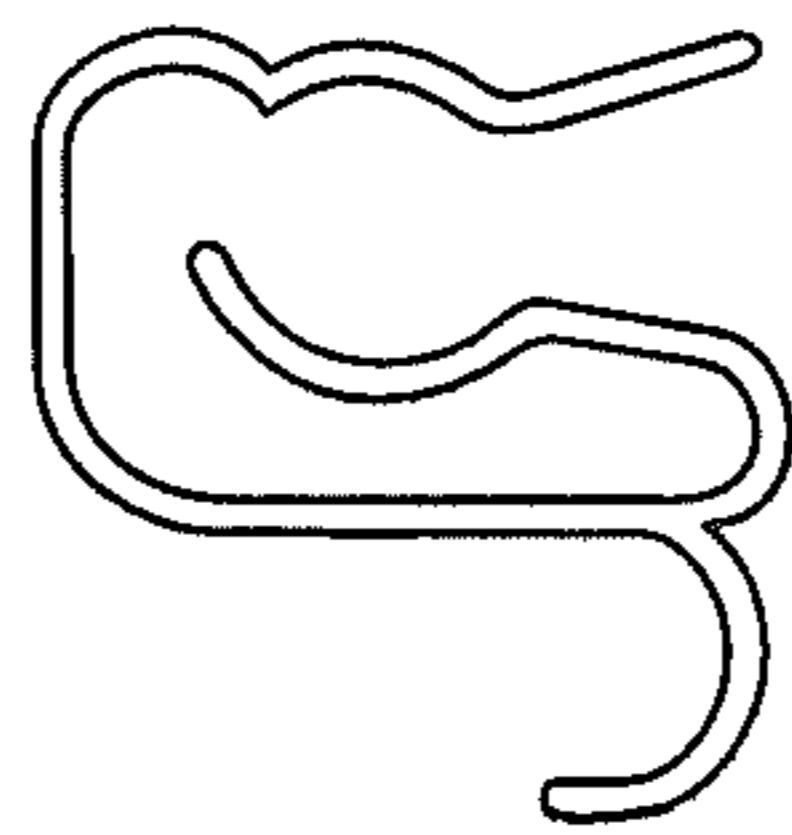


FIG. 5

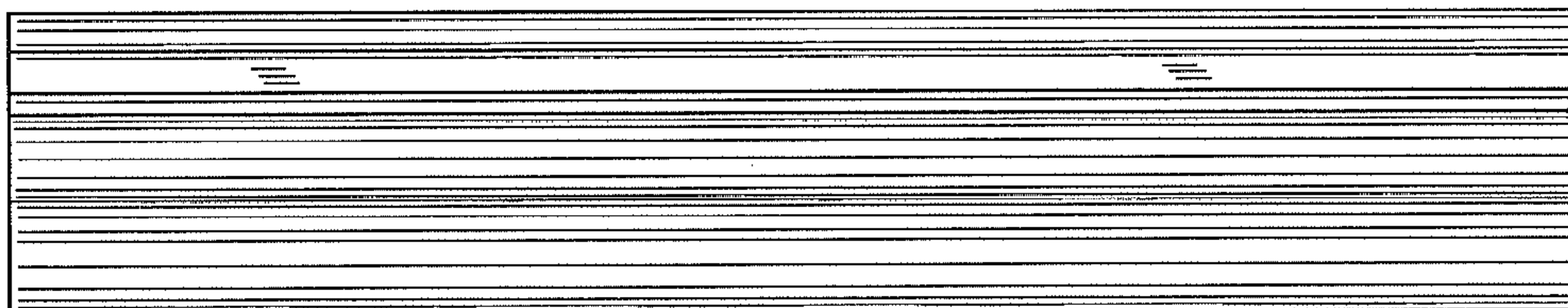


FIG. 7

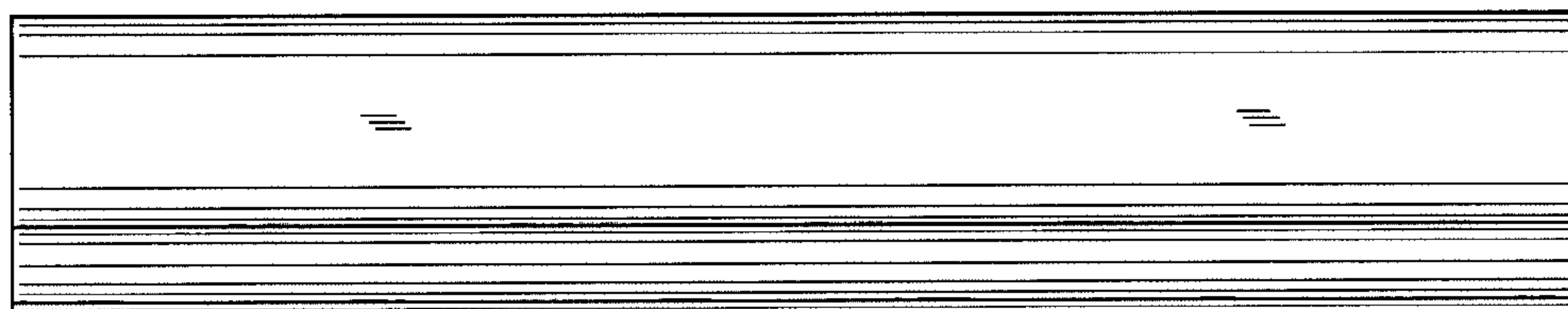


FIG. 6