



US00D688120S

(12) **United States Design Patent**  
**Hobson**

(10) **Patent No.:** **US D688,120 S**

(45) **Date of Patent:** **\*\* Aug. 20, 2013**

(54) **STACKABLE ROUTING CLIP**

(71) Applicant: **Blake Hobson**, Lakewood, IL (US)

(72) Inventor: **Blake Hobson**, Lakewood, IL (US)

(\*\*) Term: **14 Years**

(21) Appl. No.: **29/439,987**

(22) Filed: **Dec. 18, 2012**

**Related U.S. Application Data**

(63) Continuation of application No. 29/416,014, filed on Mar. 16, 2012, now Pat. No. Des. 674,679.

(51) **LOC (9) Cl.** ..... **08-05**

(52) **U.S. Cl.**  
USPC ..... **D8/356**

(58) **Field of Classification Search**  
USPC ..... D8/367, 354, 349, 356; 248/309.1,  
248/227.2, 215, 231.81, 304  
See application file for complete search history.

(56) **References Cited**

**U.S. PATENT DOCUMENTS**

3,722,669	A	3/1973	Meier et al.	
5,541,383	A	7/1996	Renner et al.	
5,949,339	A *	9/1999	Ettinger et al.	340/573.1
D473,782	S *	4/2003	Wu et al.	D8/356
D480,841	S *	10/2003	Bird	D30/138
D507,509	S *	7/2005	Hou	D11/218
D509,459	S *	9/2005	Pontaoe	D11/208
D511,960	S *	11/2005	Ogino	D8/354
D525,168	S *	7/2006	Pontaoe	D11/208
D542,123	S *	5/2007	Symons	D8/356
D592,939	S *	5/2009	Kelleghan	D8/356
D625,654	S *	10/2010	Spater	D11/210
D625,985	S *	10/2010	Mori et al.	D8/356
D630,495	S *	1/2011	Allina et al.	D8/356

D649,907	S *	12/2011	Kataguchi	D11/218
D661,573	S *	6/2012	Paik et al.	D8/367
2008/0078891	A1	4/2008	Hobson	

**OTHER PUBLICATIONS**

Patent Cooperation Treaty—International Searching Authority Notification of Transmittal of the International Search Report and the Written Opinion of the International Searching Authority, or the Declaration (Date of Mailing Jul. 13, 2012) International Application No. PCT/US 12/29457, Filed Mar. 16, 2012, Applicant—Image Industries.

\* cited by examiner

*Primary Examiner* — Cynthia Underwood

(74) *Attorney, Agent, or Firm* — McAndrews, Held & Malloy

(57) **CLAIM**

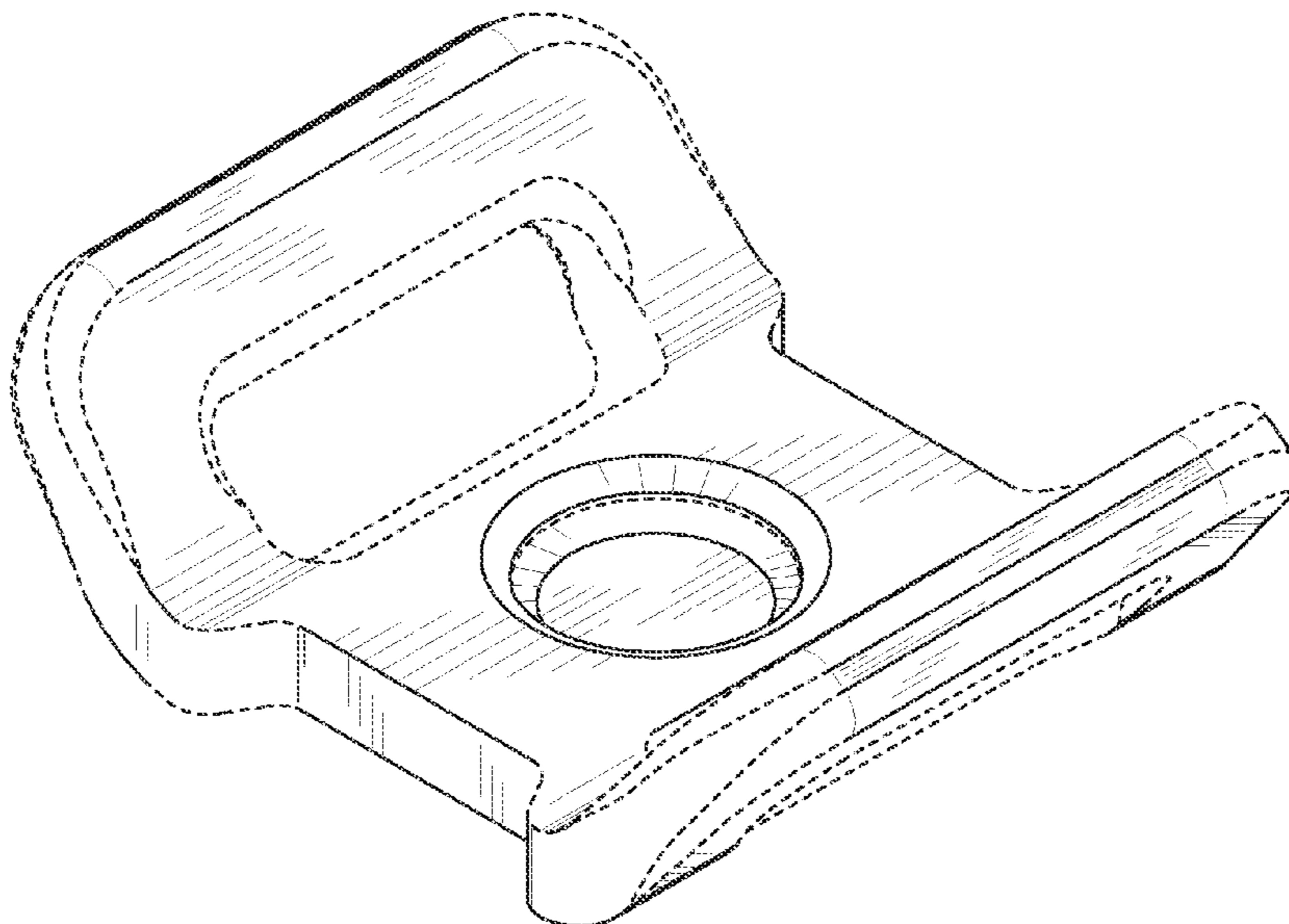
The ornamental design for a stackable routing clip, as shown and described.

**DESCRIPTION**

FIG. 1 is a bottom side perspective view of a stackable routing clip;  
FIG. 2 is a top side perspective view thereof;  
FIG. 3 is a front view thereof;  
FIG. 4 is a top view thereof;  
FIG. 5 is a rear side inverted view thereof;  
FIG. 6 is a bottom view thereof;  
FIG. 7 is a first side view thereof;  
FIG. 8 is a second side view thereof; and,  
FIG. 9 is a front side view of two stackable routing clips stacked together.

The broken lines in the drawings are included for the purpose of illustrating environmental subject matter and form no part of the claimed design.

**1 Claim, 4 Drawing Sheets**



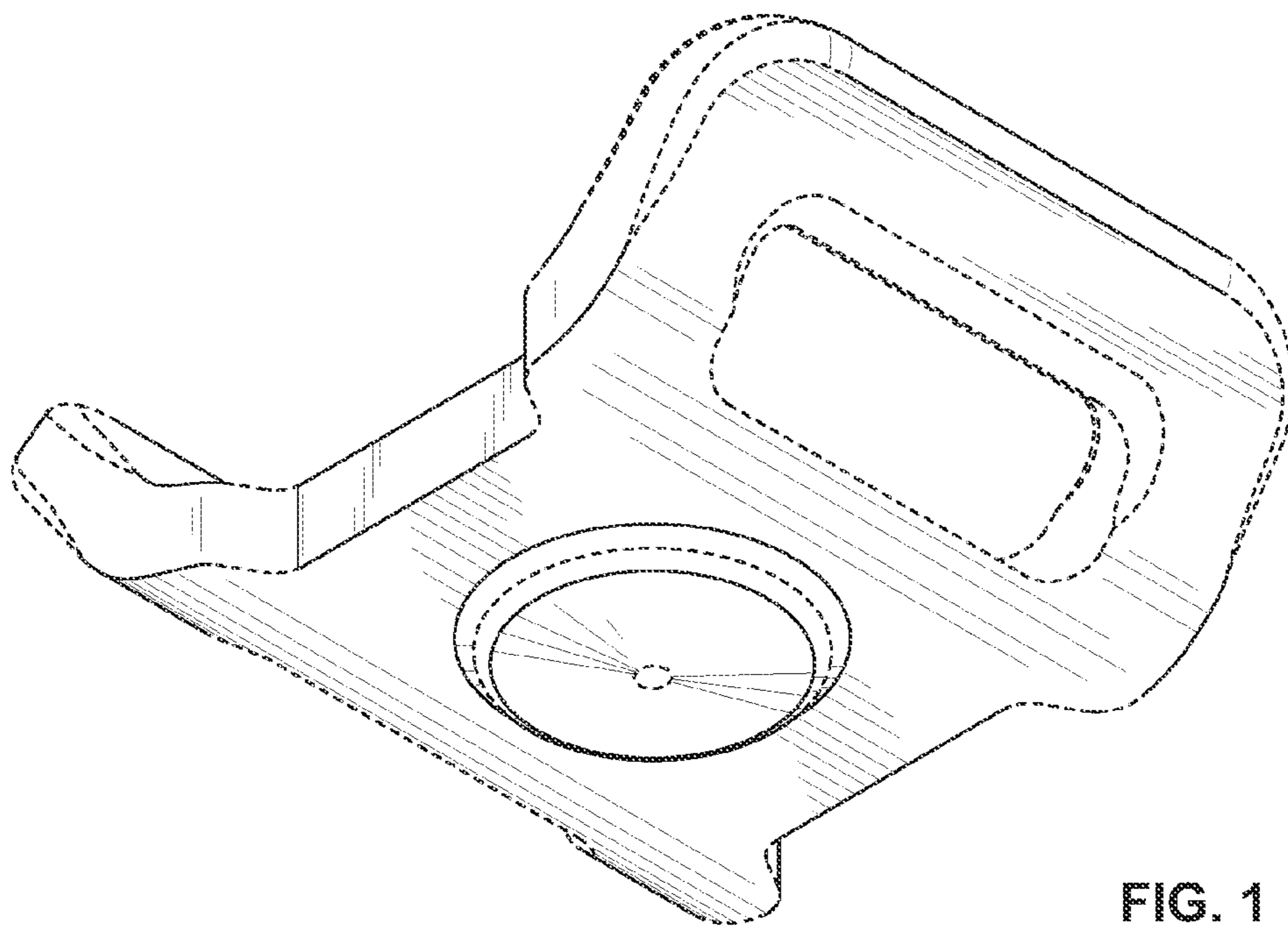


FIG. 1

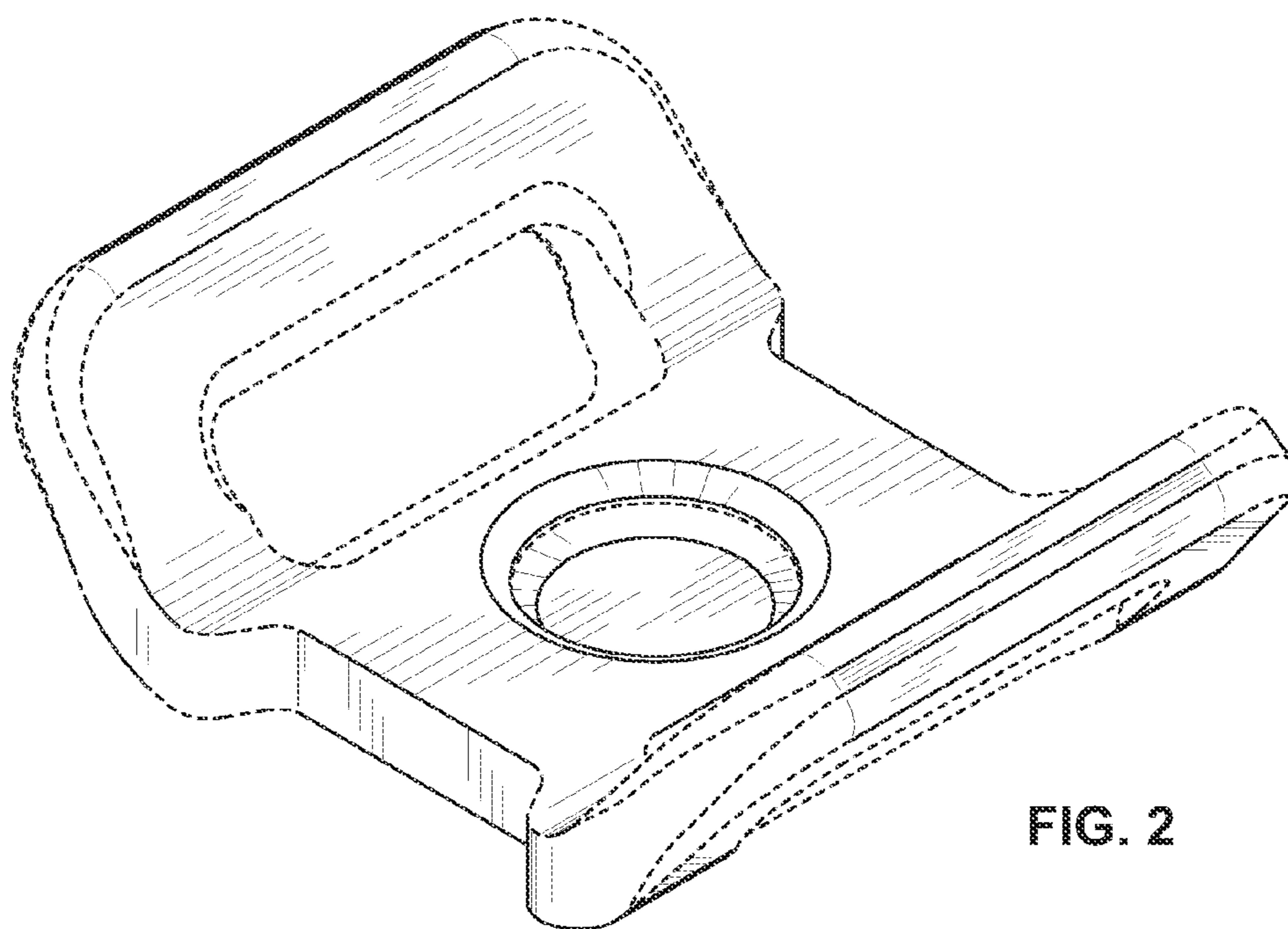


FIG. 2

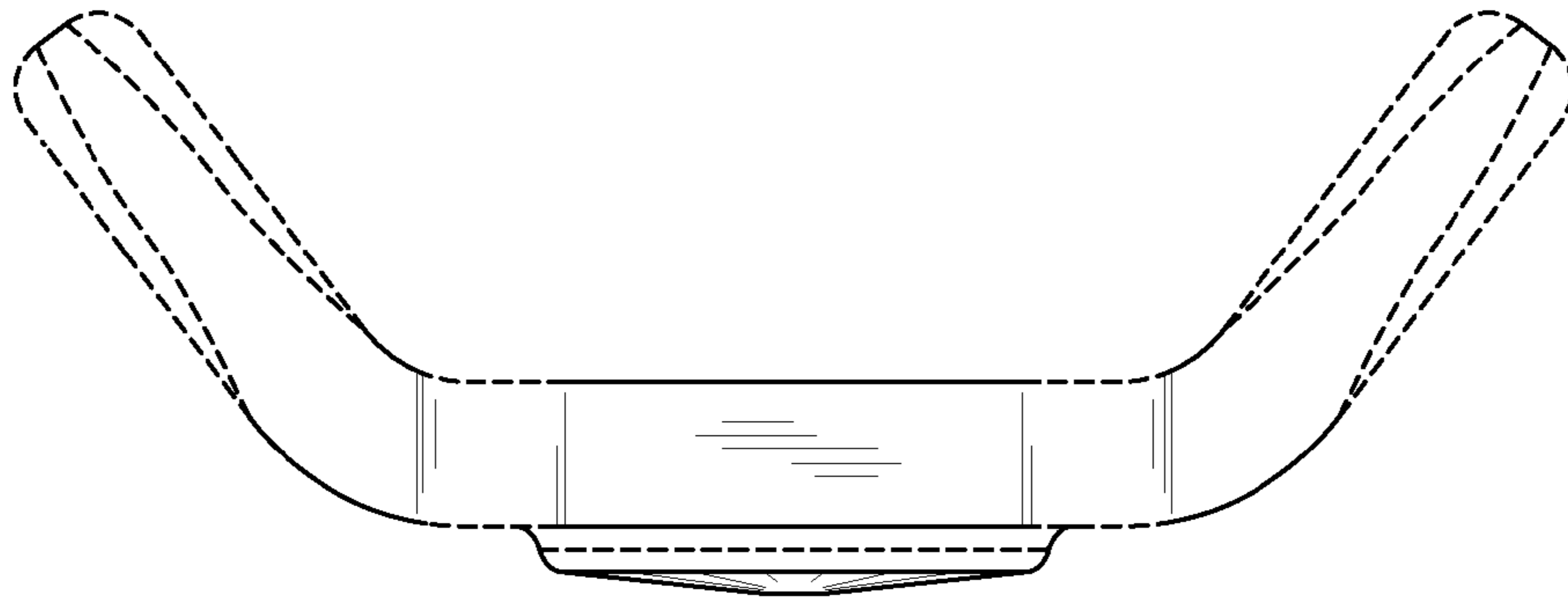


FIG. 3

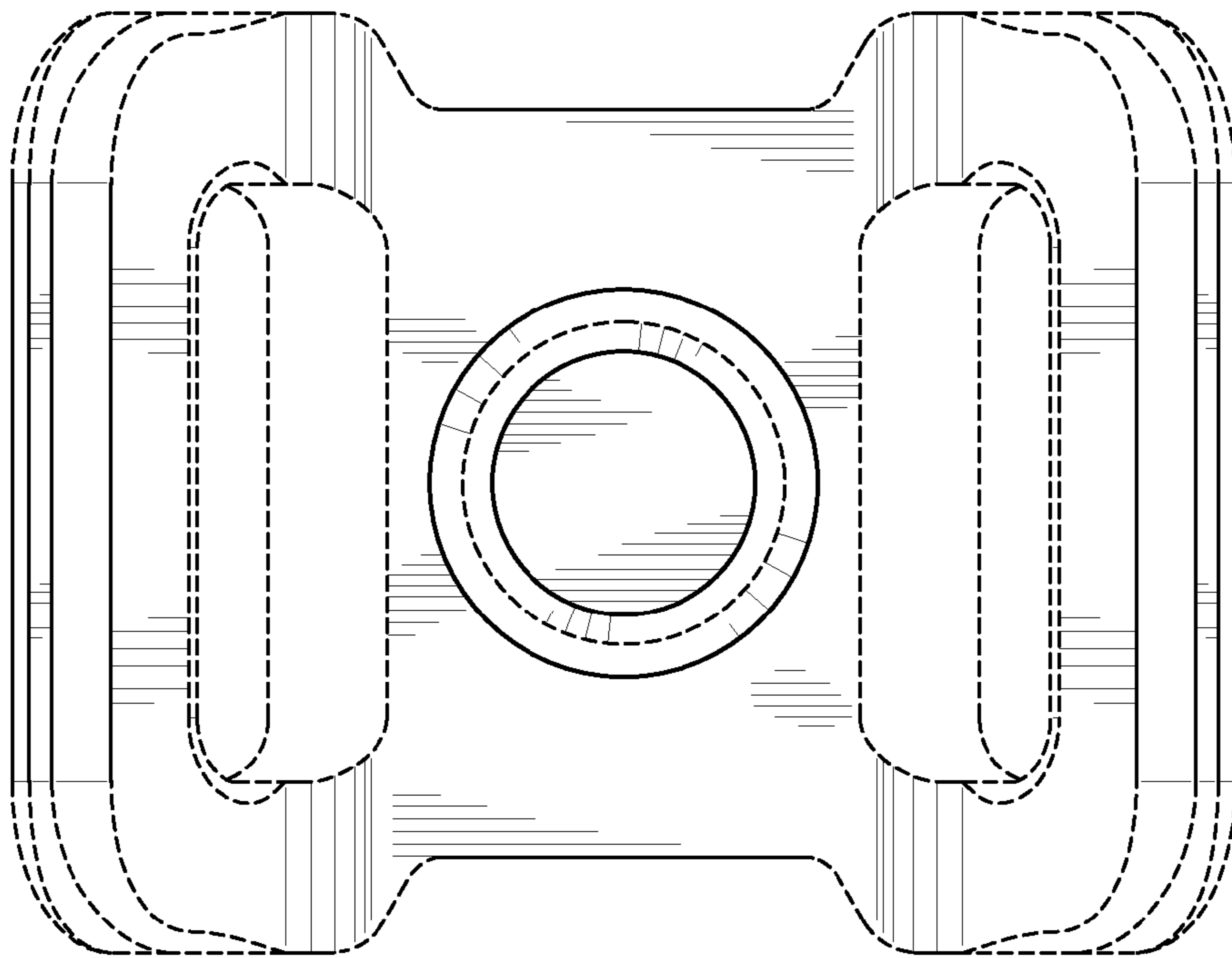


FIG. 4

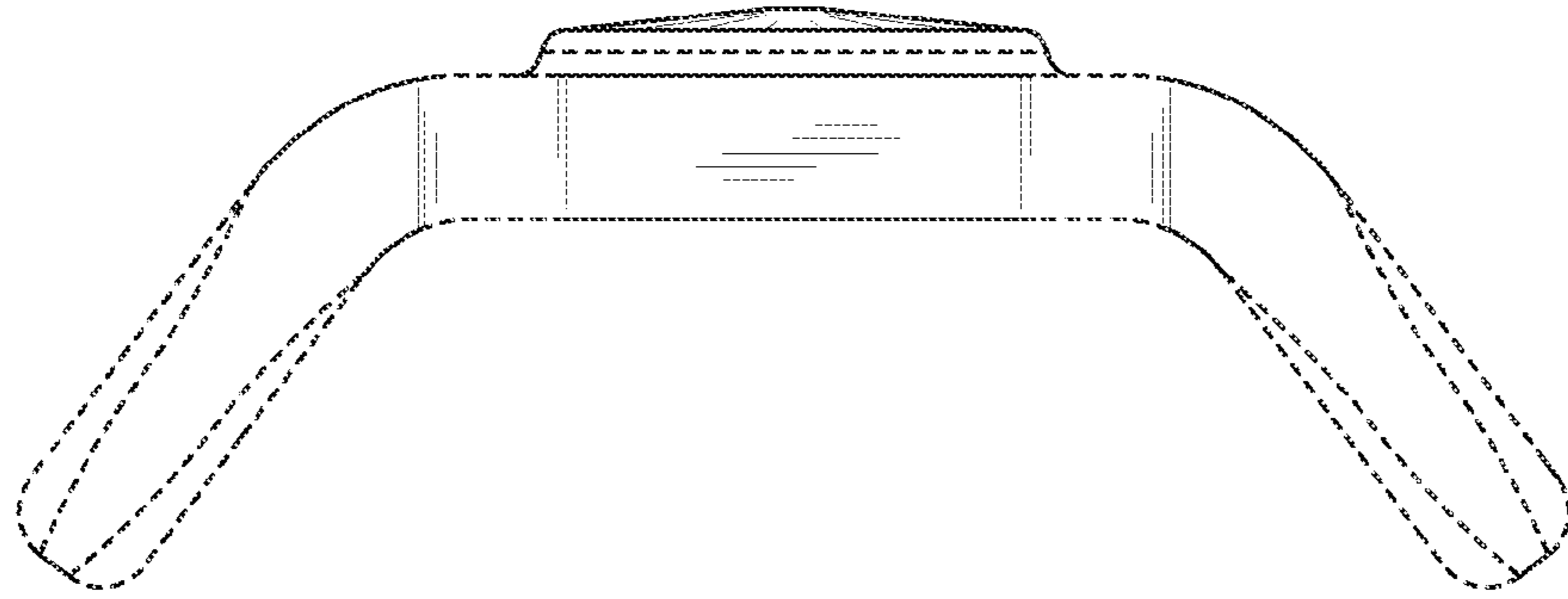


FIG. 5

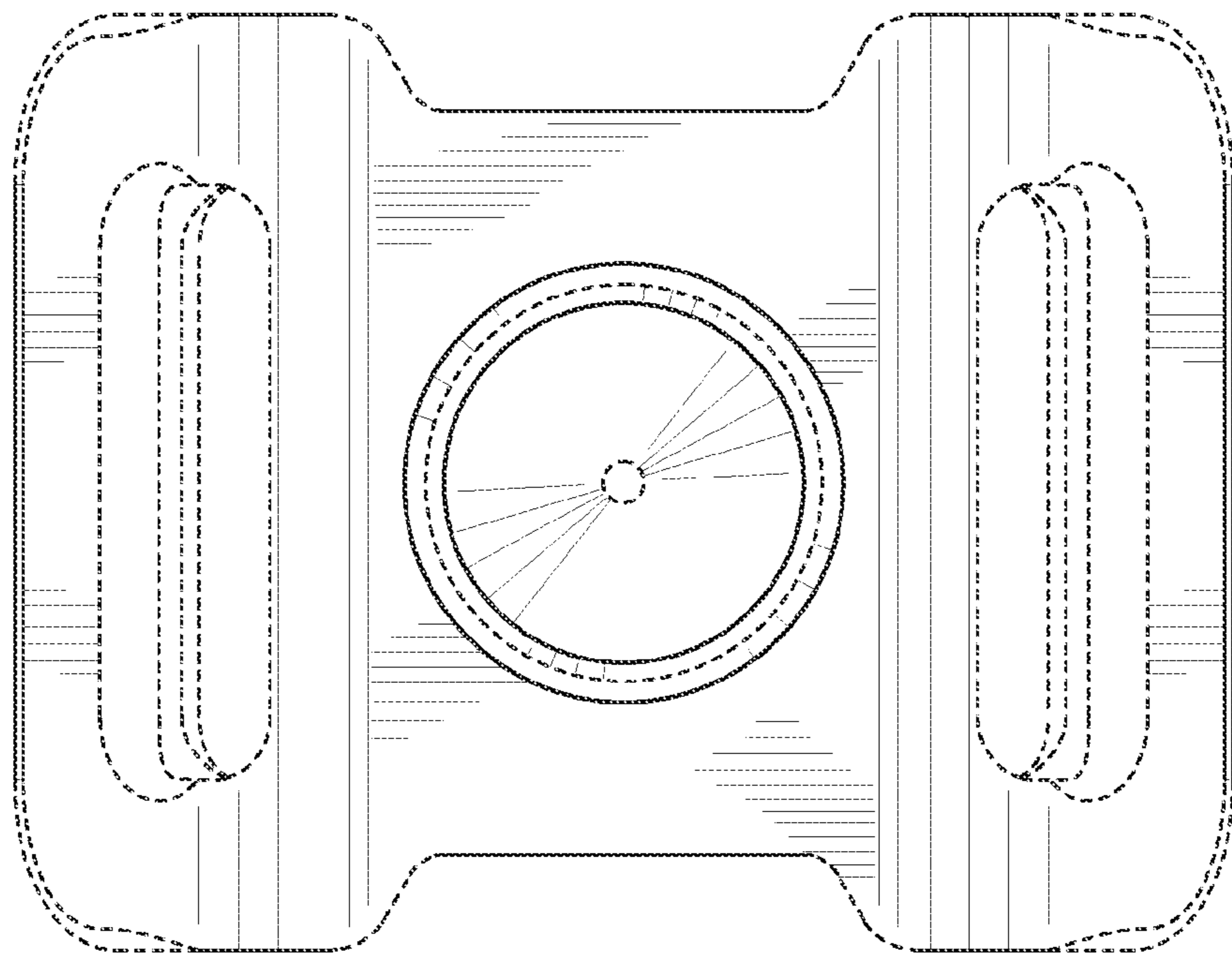


FIG. 6

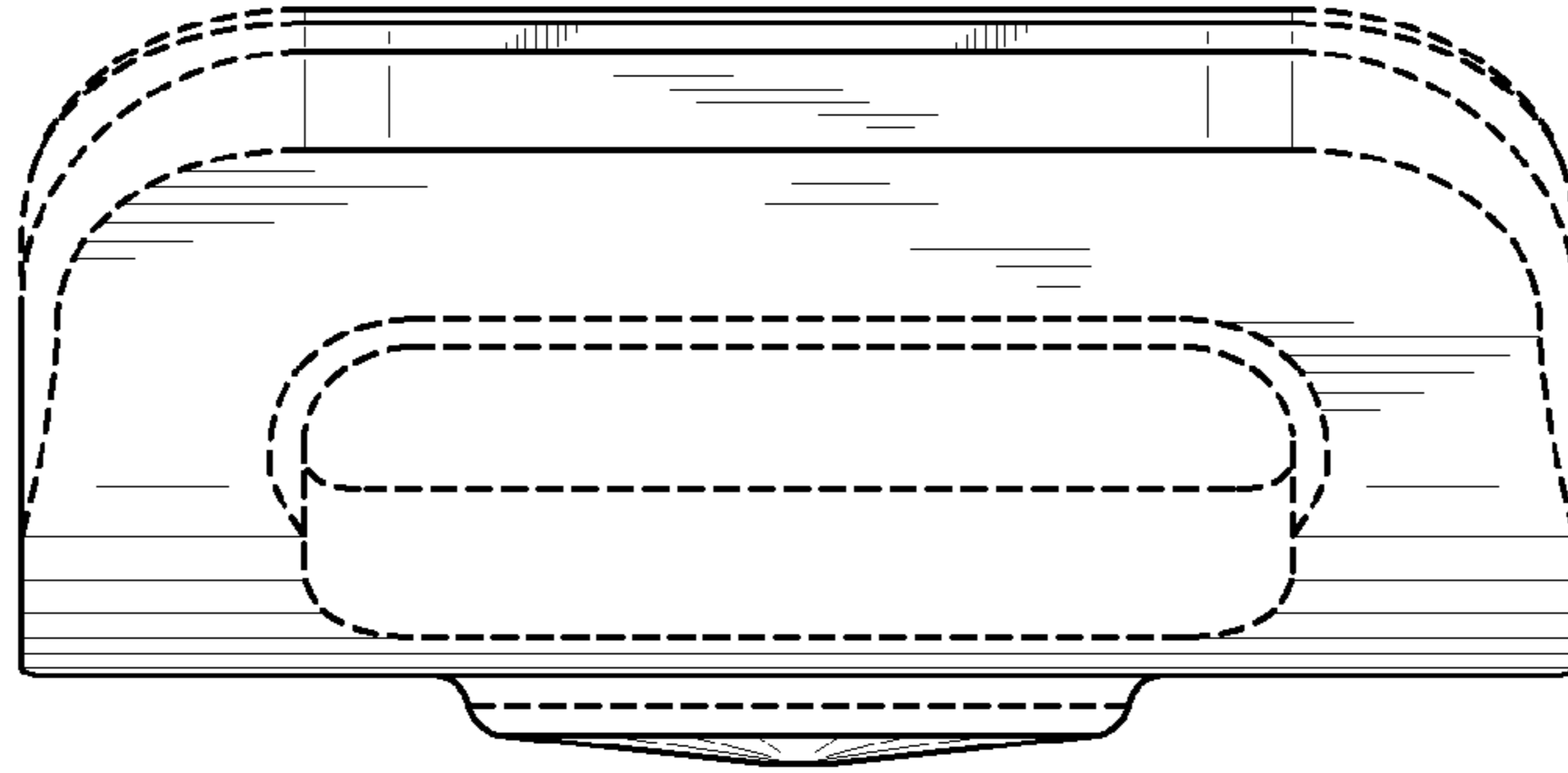


FIG. 7

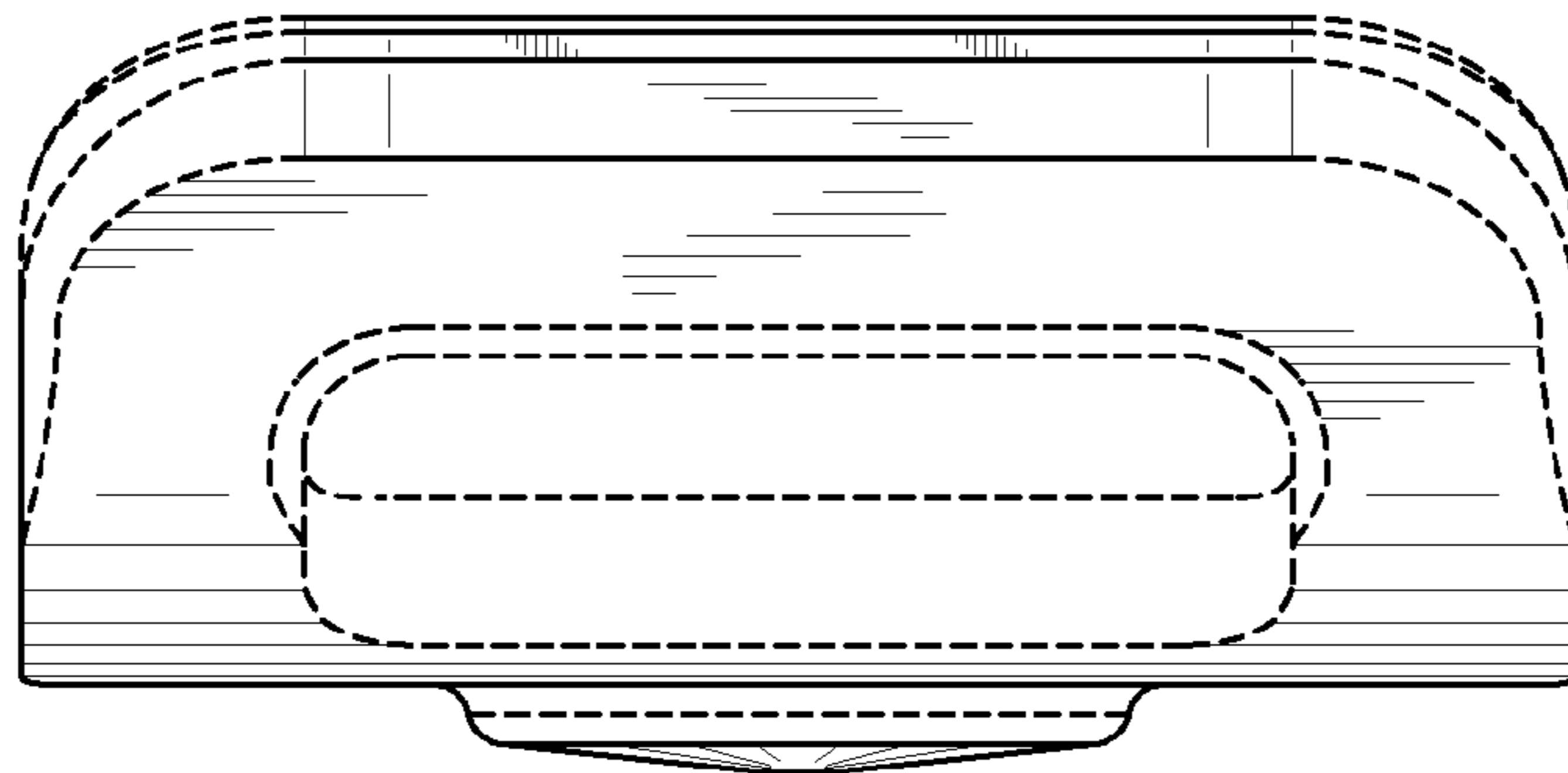


FIG. 8

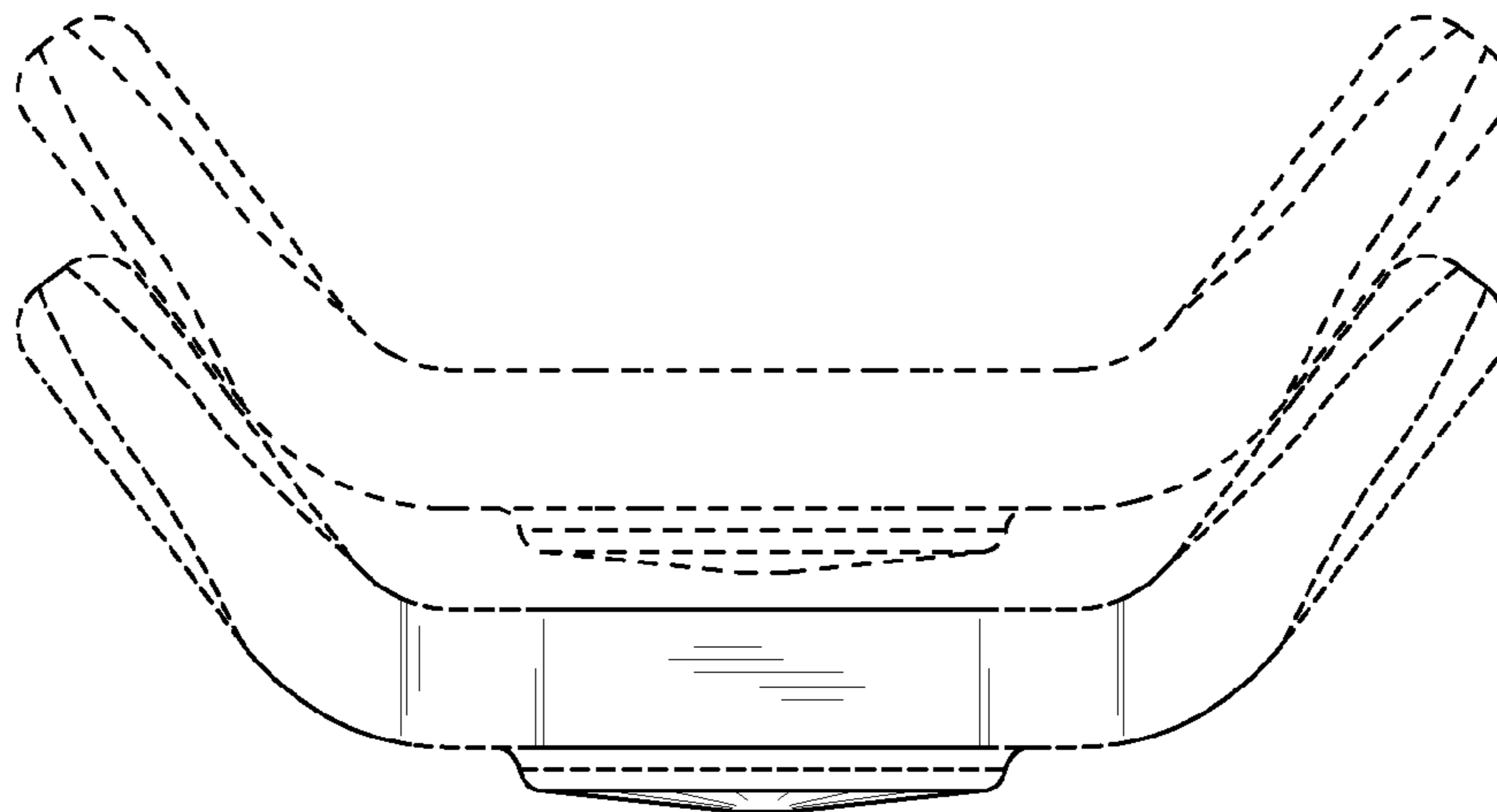


FIG. 9