



US00D688116S

(12) **United States Design Patent**
Kosir

(10) **Patent No.:** **US D688,116 S**

(45) **Date of Patent:** **** Aug. 20, 2013**

(54) **ANGLED BRACKET**

(75) **Inventor:** **Joseph P. Kosir**, Euclid, OH (US)

(73) **Assignee:** **Fasteners For Retail, Inc.**, Twinsburg, OH (US)

(**) **Term:** **14 Years**

(21) **Appl. No.:** **29/404,160**

(22) **Filed:** **Oct. 17, 2011**

(51) **LOC (9) Cl.** **08-08**

(52) **U.S. Cl.**
USPC **D8/349**

(58) **Field of Classification Search**
USPC D8/349, 354, 380, 382, 366; 248/300, 248/237, 309.1; 52/188, 182, 191, 702, 712, 52/745.06, 189, 506.5, 586.1; 29/428, 525.01, 29/464; 249/14, 205, 208; 403/167, 169
See application file for complete search history.

(56) **References Cited**

U.S. PATENT DOCUMENTS

D289,494 S *	4/1987	Rice	D8/381
D289,495 S *	4/1987	Hughes et al.	D8/381
D290,224 S *	6/1987	Skinner	D8/381
D310,165 S *	8/1990	Cobb	D8/381
D394,203 S *	5/1998	Nadar	D8/381
6,289,618 B1	9/2001	Kump et al.		
D474,395 S	5/2003	Mueller		

6,698,124 B2	3/2004	Kump et al.		
D491,054 S	6/2004	Caterinacci, Jr.		
D543,840 S *	6/2007	Belokin et al.	D8/381
D550,540 S *	9/2007	Nawrocki	D8/354
2009/0056185 A1	3/2009	Wamsley		

OTHER PUBLICATIONS

FFR-DSI Yellow Pages 2010 Product Catalog, cover page and pp. 98, 99, 111, 113, 116, 117, 121, 124, 125, 126 and 313-315.

* cited by examiner

Primary Examiner — Mark Goodwin

(74) *Attorney, Agent, or Firm* — Fay Sharpe LLP

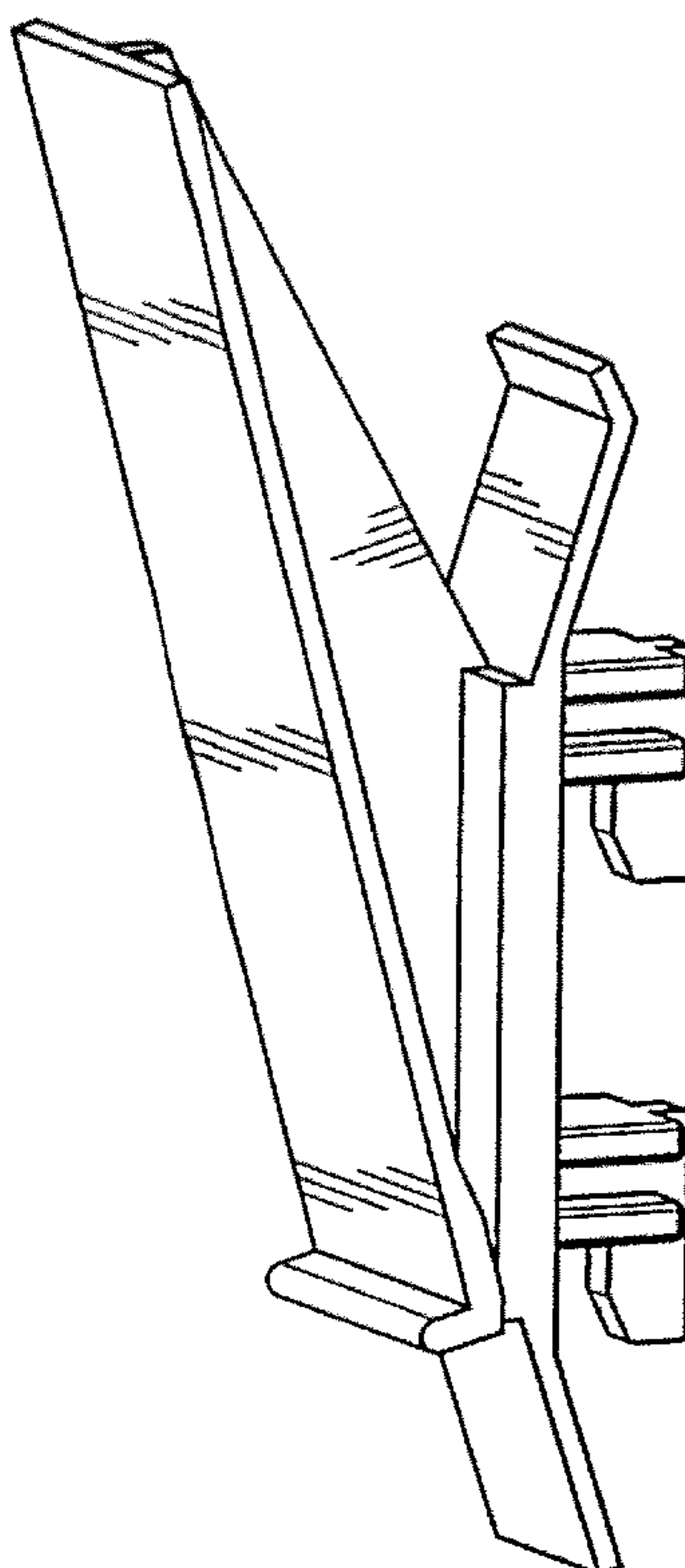
(57) **CLAIM**

The ornamental design for an angled bracket, as shown and described.

DESCRIPTION

FIG. 1 is a right side front perspective view of an angled bracket showing my new design;
FIG. 2 is a right side rear perspective view thereof;
FIG. 3 is a left side elevational view thereof, with the right side elevational view being a mirror image thereof;
FIG. 4 is a front elevational view thereof;
FIG. 5 is a rear elevational view thereof;
FIG. 6 is a top plan view thereof; and,
FIG. 7 is a bottom plan view thereof.

1 Claim, 2 Drawing Sheets



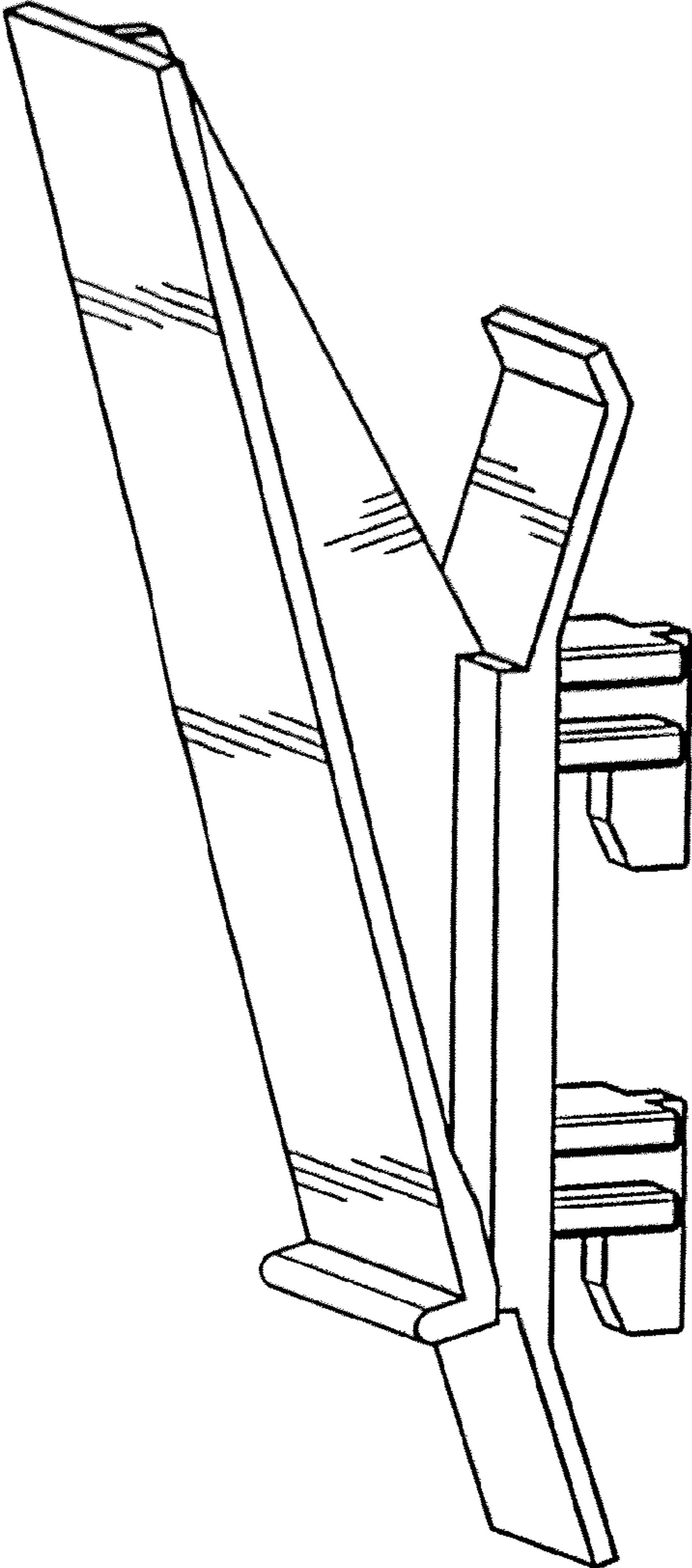


FIG. 1

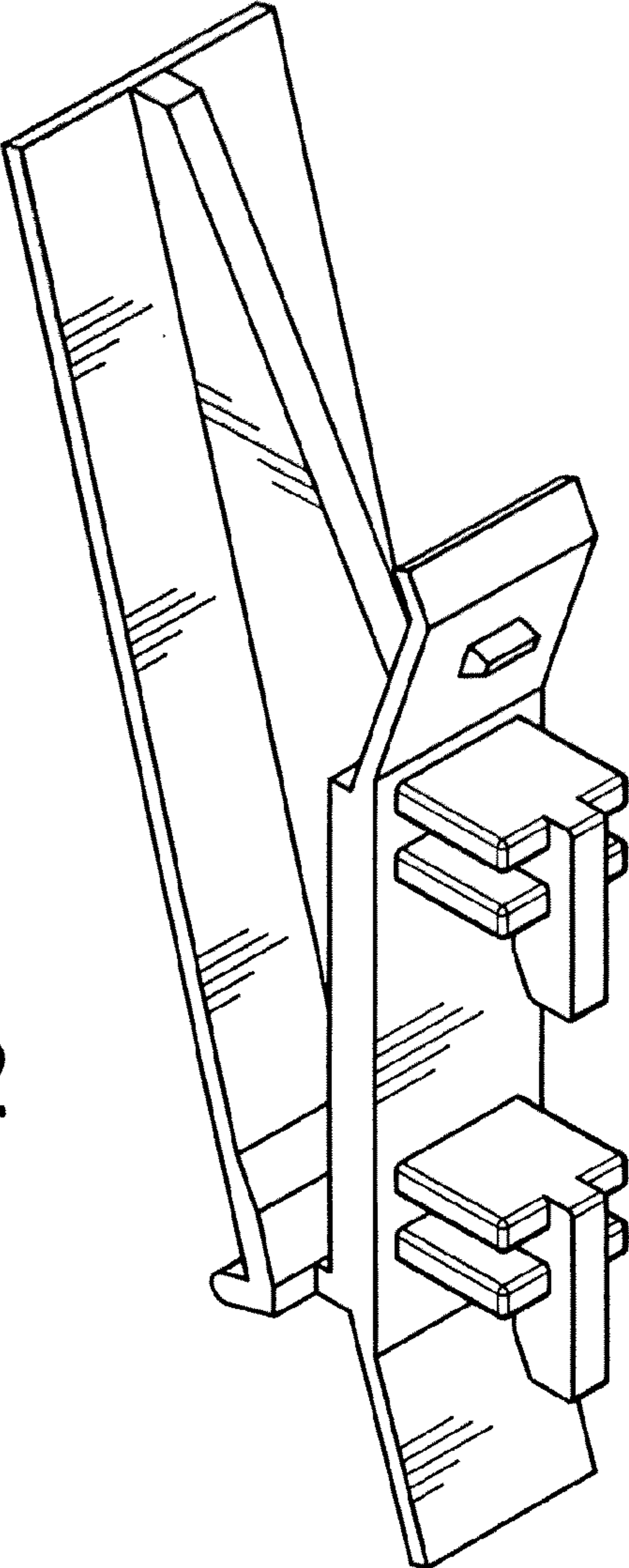


FIG. 2

FIG. 6

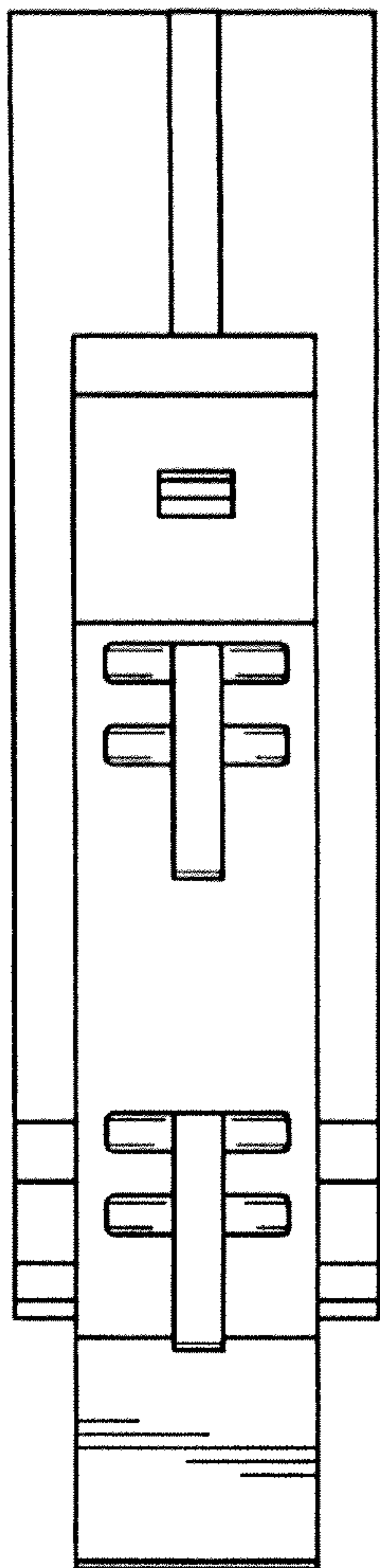
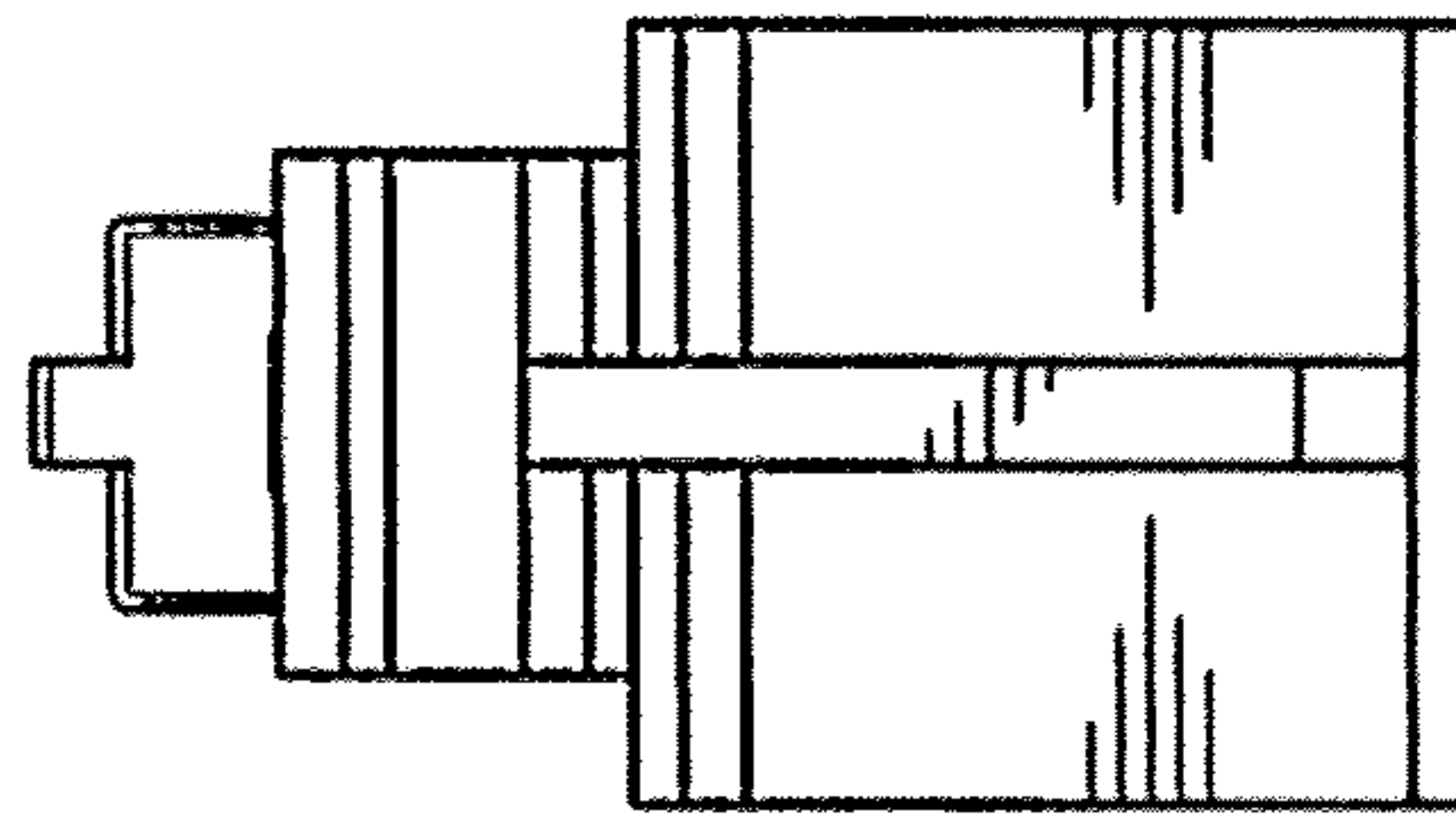


FIG. 5

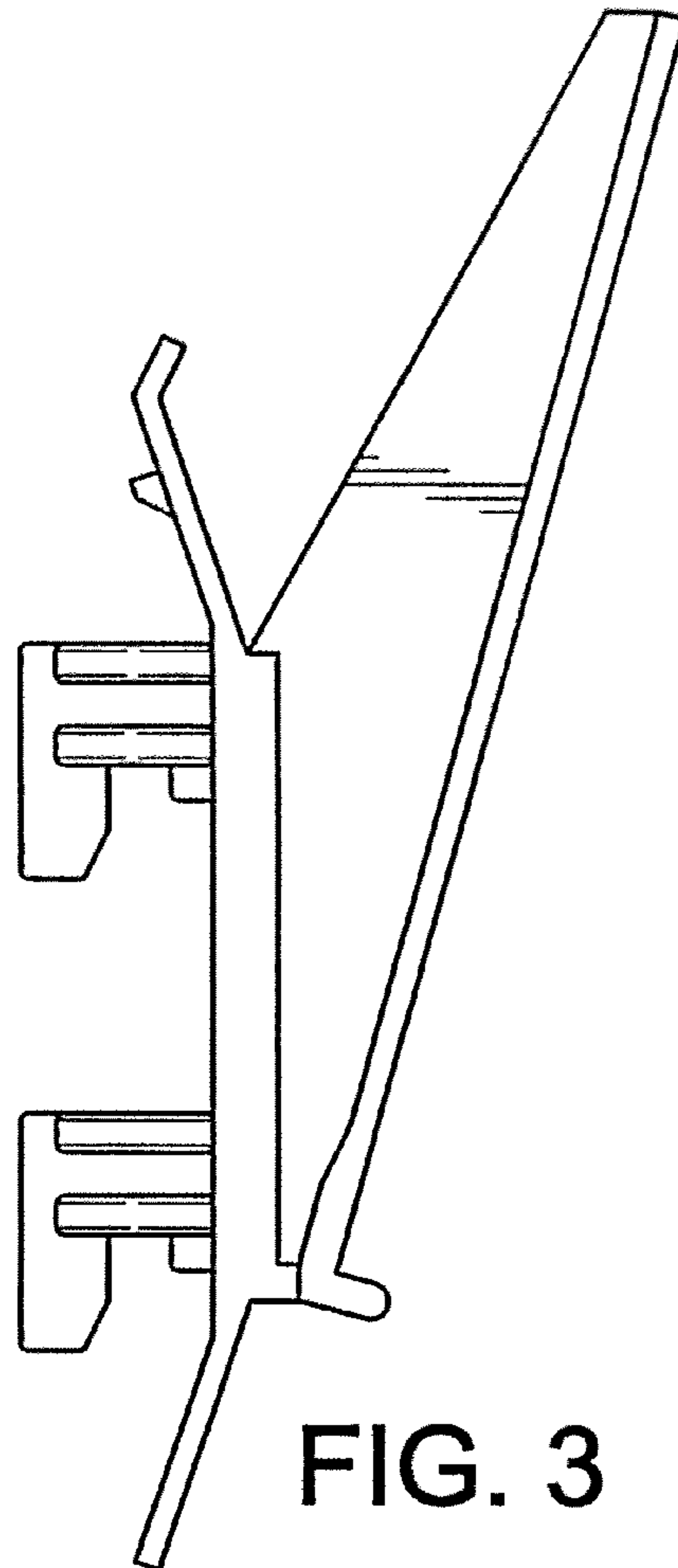


FIG. 3

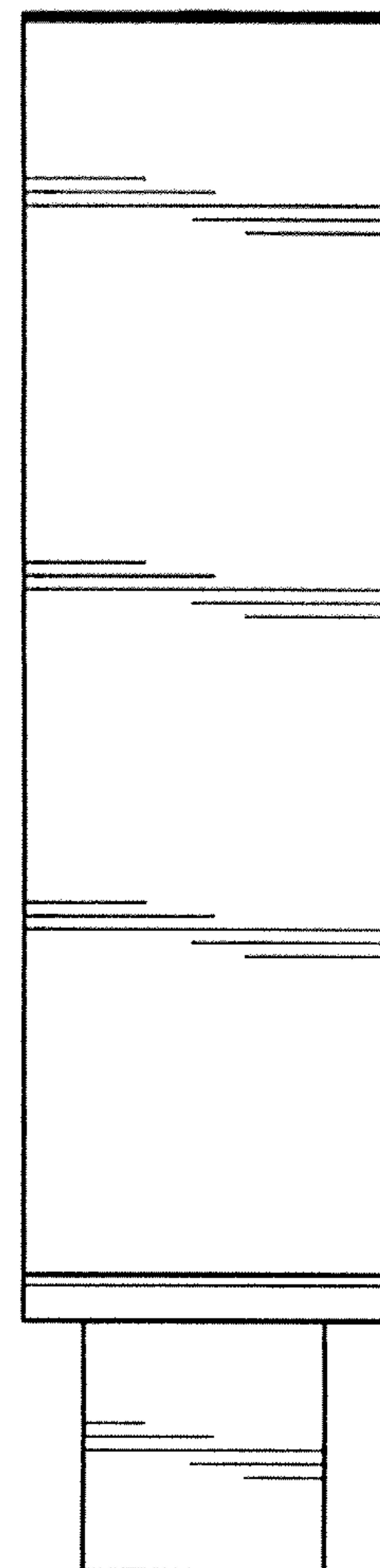


FIG. 4

FIG. 7

