



US00D688115S

(12) **United States Design Patent**
Wiegmann et al.

(10) **Patent No.:** **US D688,115 S**

(45) **Date of Patent:** **** Aug. 20, 2013**

(54) **CORNER ASSEMBLY FOR A FOLDABLE CHILD ENCLOSURE**

6,467,108 B1 10/2002 Wang
6,721,971 B1 4/2004 Cheng
6,954,949 B1 * 10/2005 Chen 5/99.1

(75) Inventors: **Elijah M. Wiegmann**, Pittsburgh, PA (US); **Robert D. Daley**, Pittsburgh, PA (US)

(Continued)

Primary Examiner — Mark Goodwin
(74) *Attorney, Agent, or Firm* — The Webb Law Firm

(73) Assignee: **Thorley Industries LLC**, Pittsburgh, PA (US)

(57) **CLAIM**
The ornamental design for a corner assembly for a foldable child enclosure, as shown and described.

(**) Term: **14 Years**

DESCRIPTION

(21) Appl. No.: **29/401,434**

FIG. 1 is a perspective view of a corner assembly for a foldable child enclosure in accordance with the present invention positioned over a corner of a foldable child enclosure that is in an open position, the arms and support post of which are shown in phantom;

(22) Filed: **Sep. 12, 2011**

(51) **LOC (9) Cl.** **08-08**

(52) **U.S. Cl.**
USPC **D8/349**

(58) **Field of Classification Search**
USPC D8/349, 354, 380, 382, 366, 363, D8/371, 373, 376; 248/300, 237, 309.1, 248/200, 205.1, 207, 214, 235, 247, 351, 248/220.41; 52/188, 182, 191, 702, 712, 52/745.06, 189, 506.5, 586.1; 29/428, 525.01, 29/464; 249/14, 205, 208; 403/167, 169; 211/86.01, 90.01, 105.1, 193, 134; 108/152; 40/642.02; D12/400, 223, 159; D15/21, D15/28; D6/512, 682.5, 688.14, 688.15, D6/702, 718.26, 331, 391, 382, 385, 392; 5/99.1, 93.1, 98.1, 904

See application file for complete search history.

FIG. 2 is a rear perspective view thereof;
FIG. 3 is a front side perspective view thereof;
FIG. 4 is a top plan view thereof;
FIG. 5 is a front side plan view thereof;
FIG. 6 is a rear side view thereof;
FIG. 7 is a bottom plan view thereof;
FIG. 8 is a perspective view of the corner assembly for a foldable child enclosure of FIG. 1 positioned over a corner of a foldable child enclosure that is in a closed position, the arms and support post of which are shown in phantom;
FIG. 9 is a rear perspective view thereof;
FIG. 10 is a top plan view thereof;
FIG. 11 is a front side plan view thereof;
FIG. 12 is a rear side plan view thereof; and,
FIG. 13 is a bottom plan view thereof.

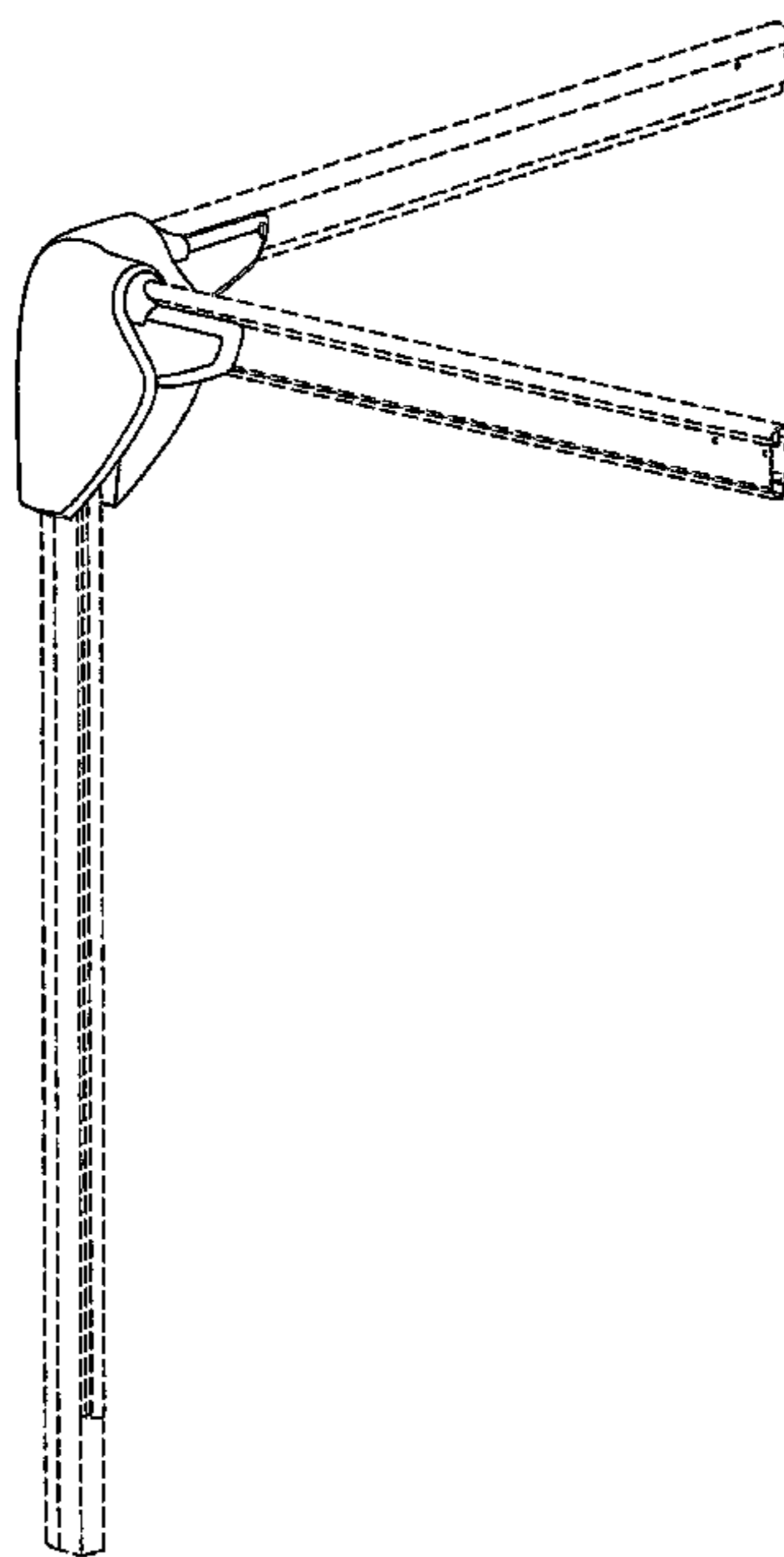
The broken line showing of the arms and support post is included for the purpose of illustrating environmental structure only and forms no part of the claimed design.

(56) **References Cited**

U.S. PATENT DOCUMENTS

5,752,283 A * 5/1998 Arens 5/99.1
5,956,786 A * 9/1999 Huang 5/105
6,430,762 B1 * 8/2002 Cheng 5/93.2

1 Claim, 7 Drawing Sheets



(56)

References Cited

U.S. PATENT DOCUMENTS

7,293,304 B2 *	11/2007	Chen et al.	5/99.1	7,739,759 B2 *	6/2010	Mendes et al.	5/93.1
D566,998 S *	4/2008	Troutman	D6/503	7,752,688 B2 *	7/2010	Chen et al.	5/93.1
D570,621 S *	6/2008	Troutman et al.	D6/495	7,836,530 B2 *	11/2010	Thorne et al.	5/99.1
7,458,114 B2 *	12/2008	Troutman	5/93.1	2002/0104161 A1 *	8/2002	Kuo	5/93.1
7,661,156 B2 *	2/2010	Thorne et al.	5/99.1	2002/0114480 A1 *	8/2002	Chen et al.	381/333
					2008/0189854 A1 *	8/2008	Thorne et al.	5/99.1
					2008/0196163 A1 *	8/2008	Thorne et al.	5/99.1

* cited by examiner

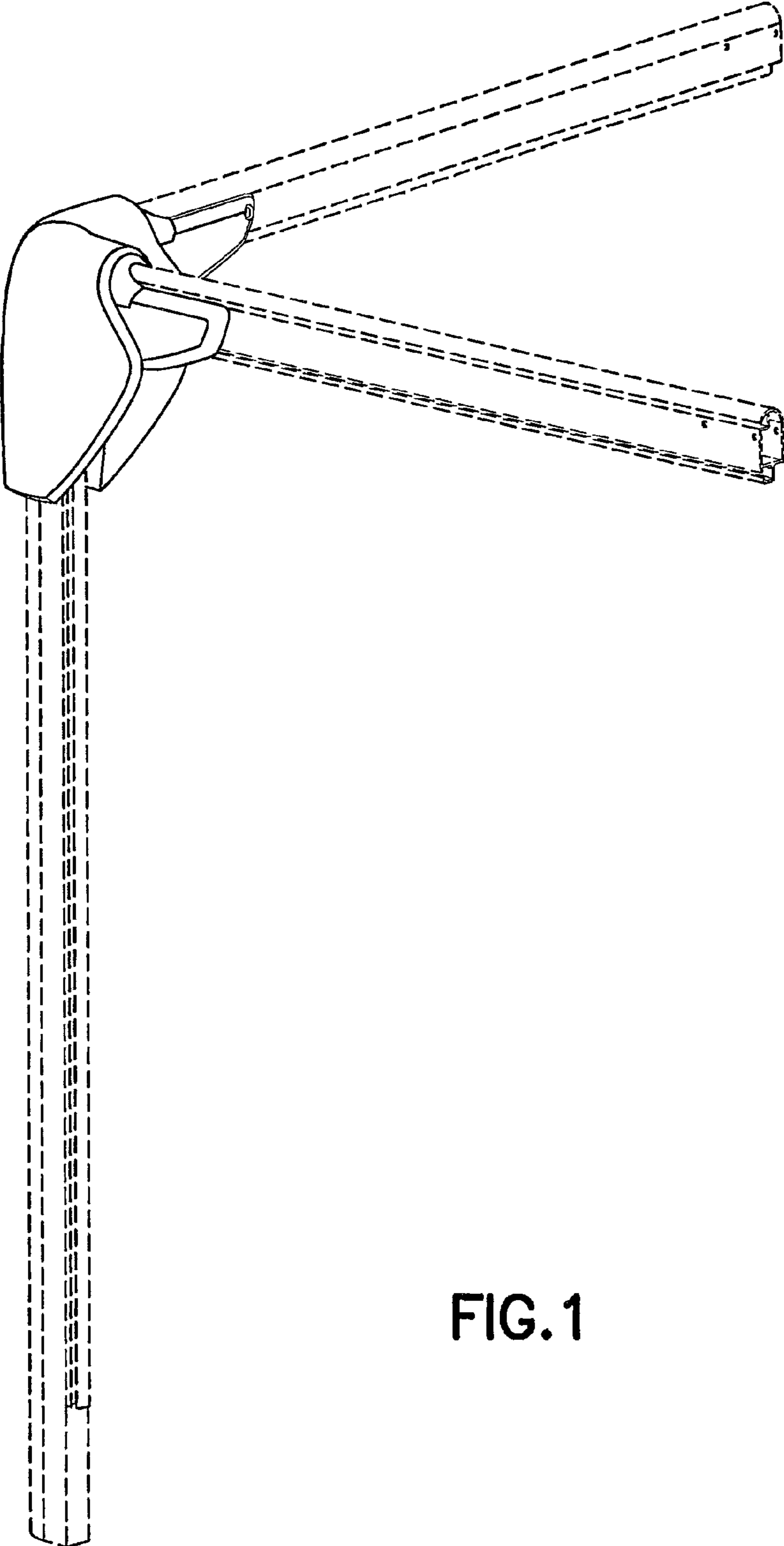


FIG. 1

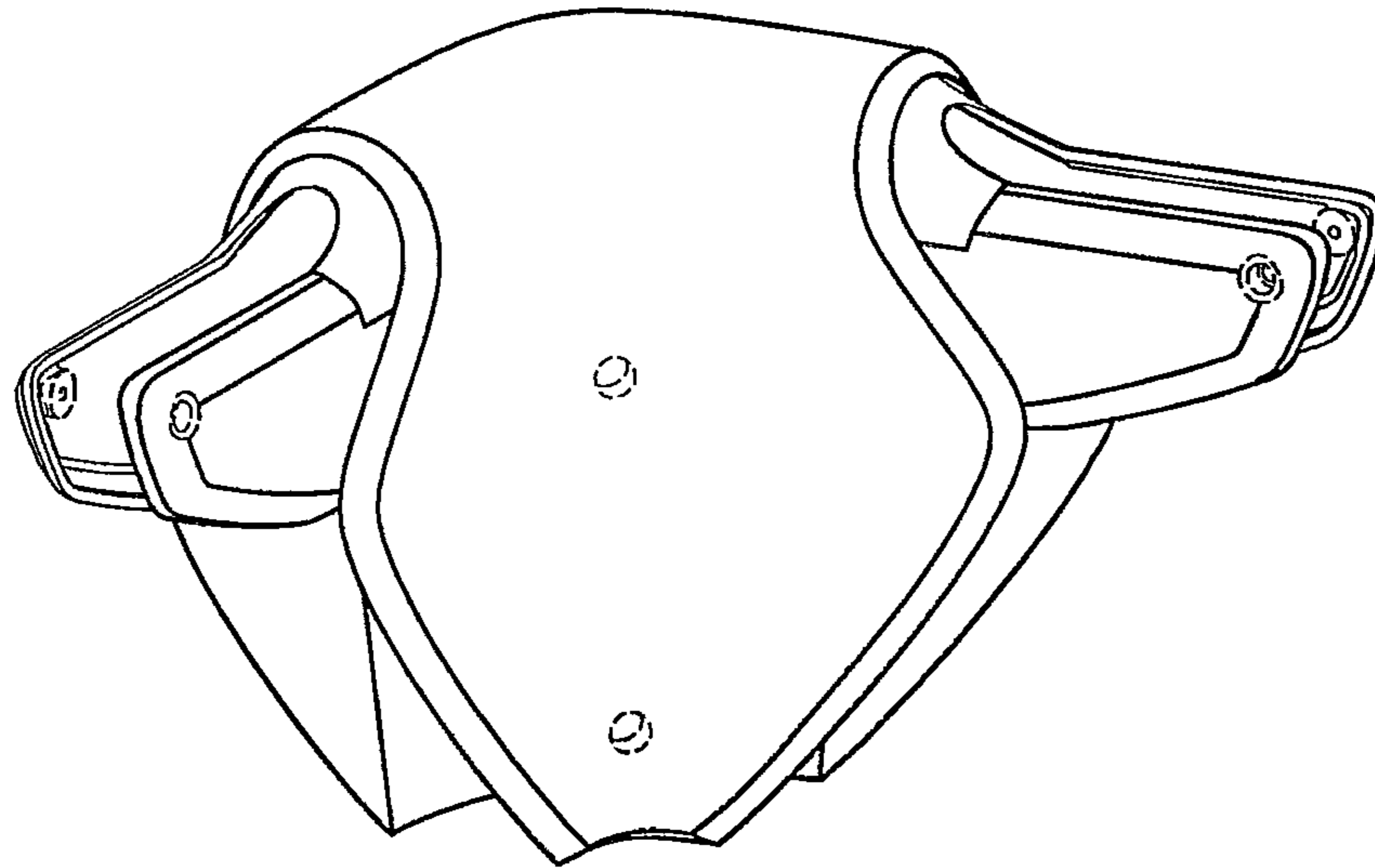


FIG. 2

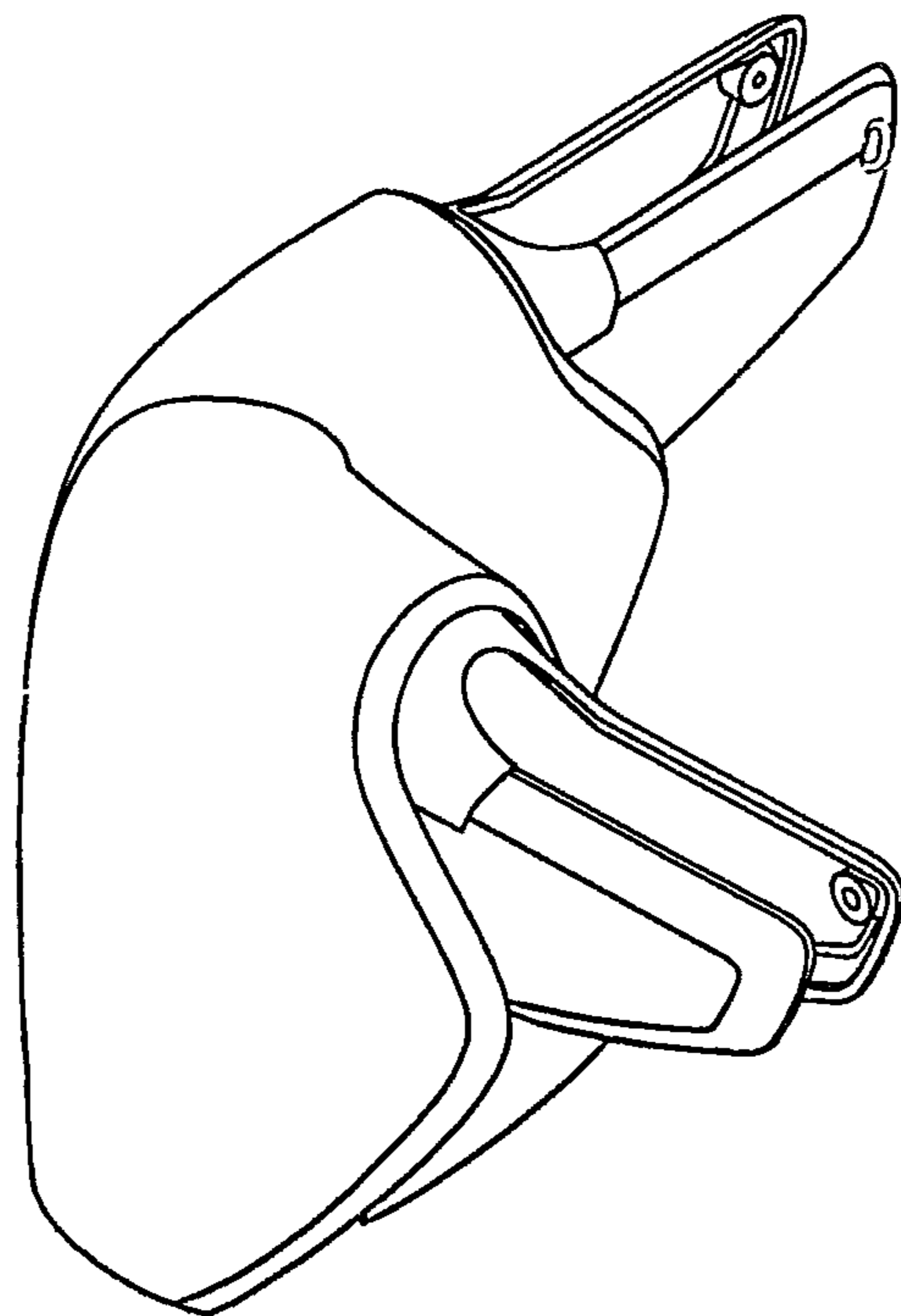


FIG. 3

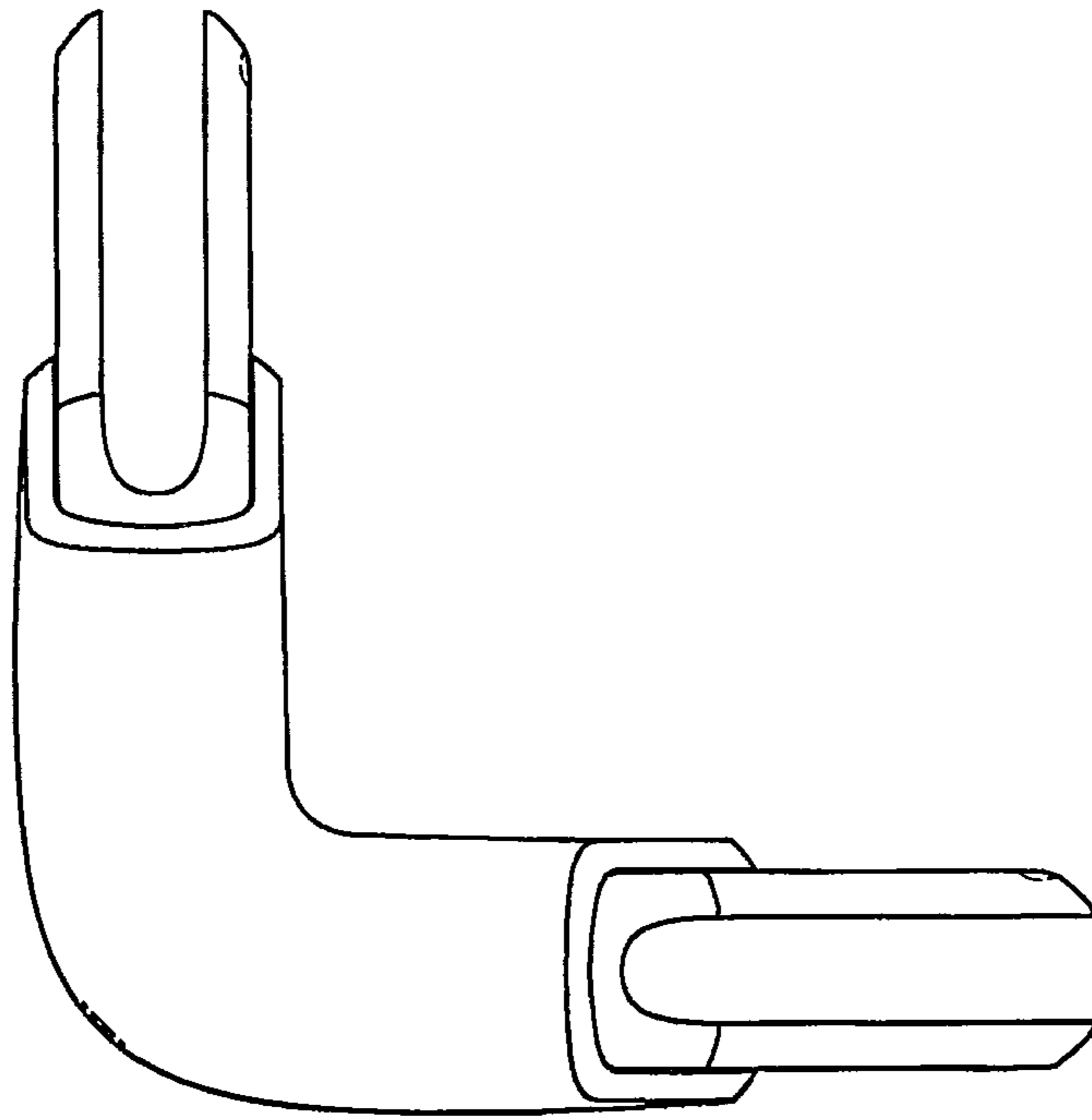


FIG. 4

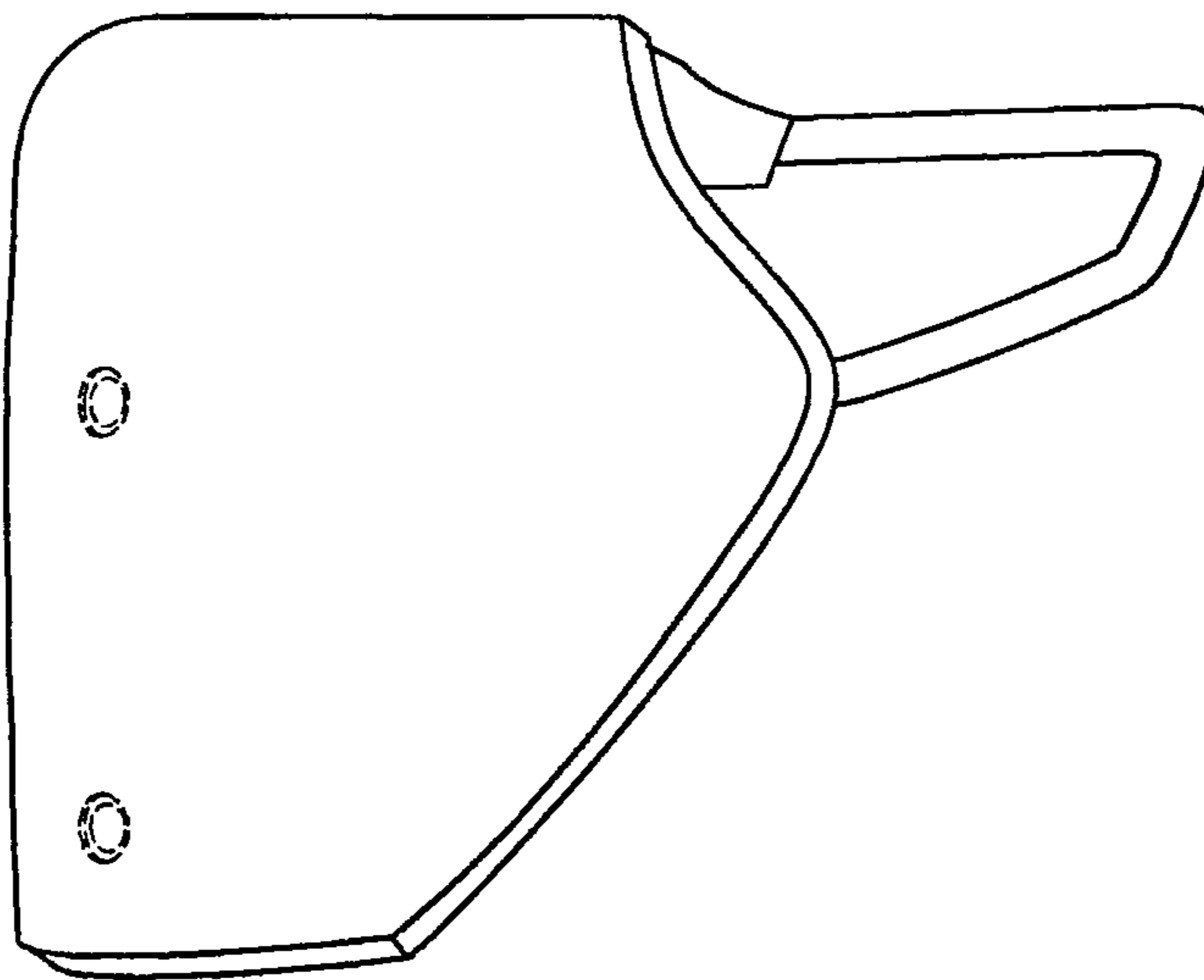


FIG. 5

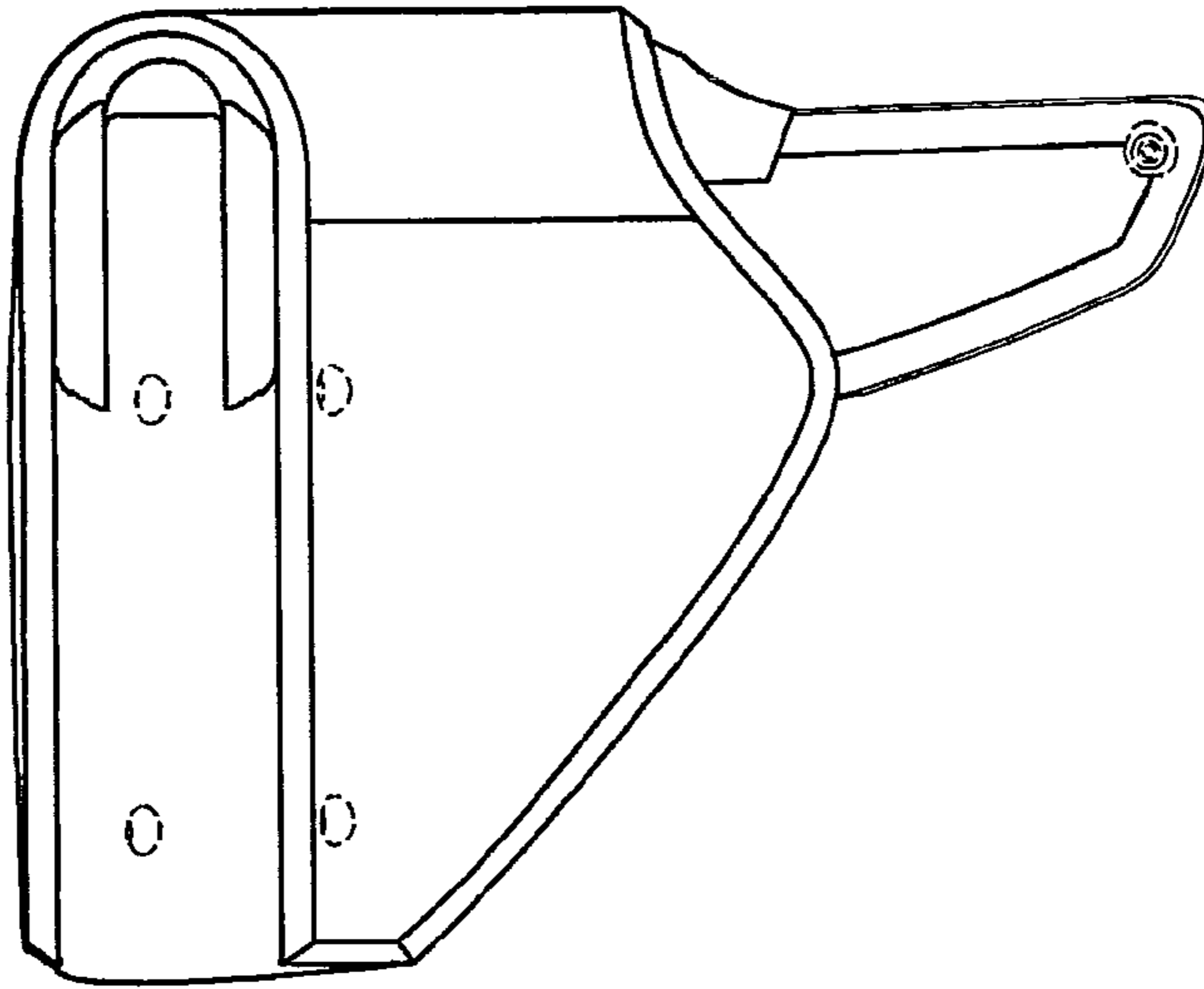


FIG. 6

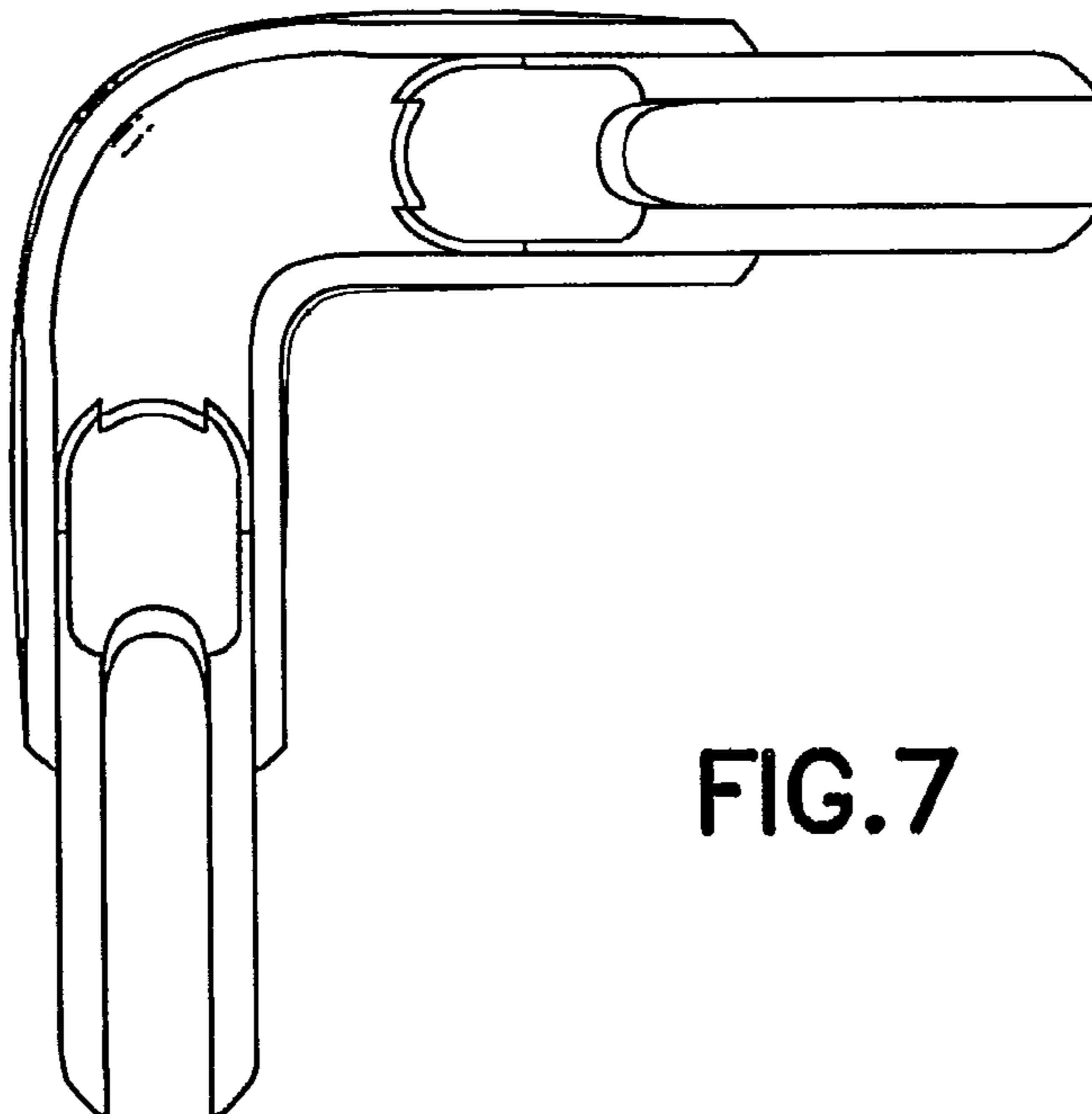


FIG. 7

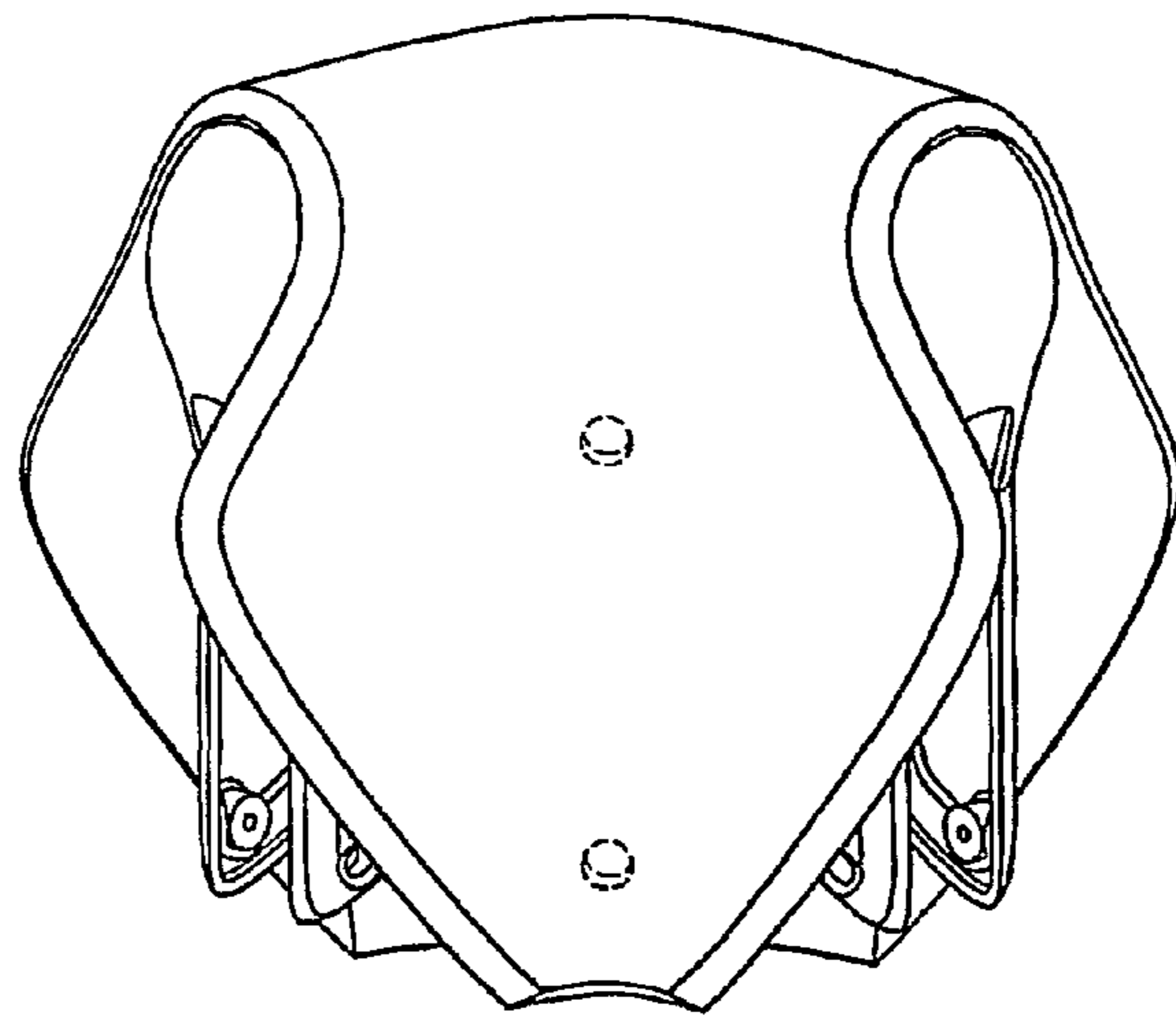
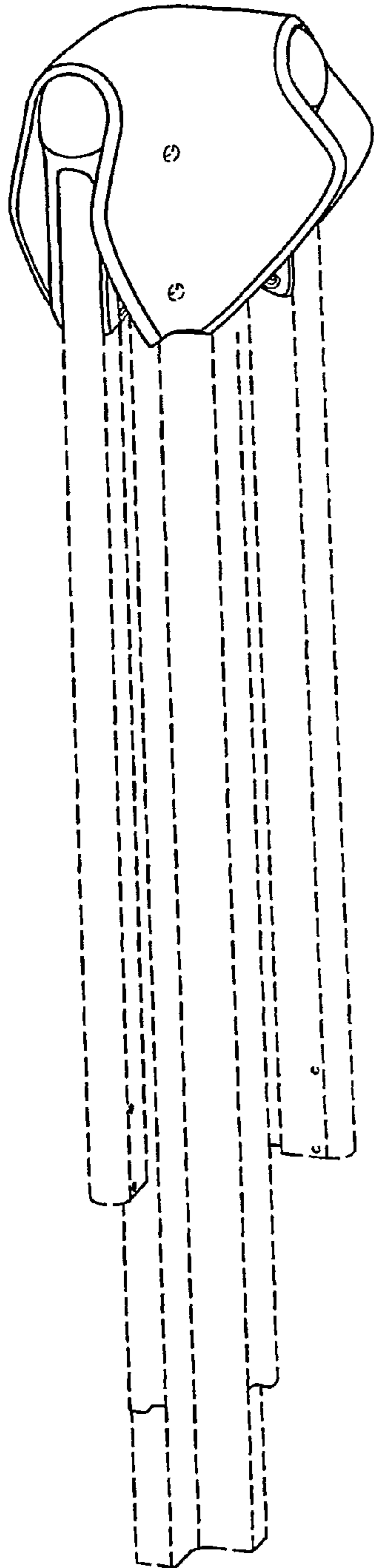


FIG.9

FIG.8

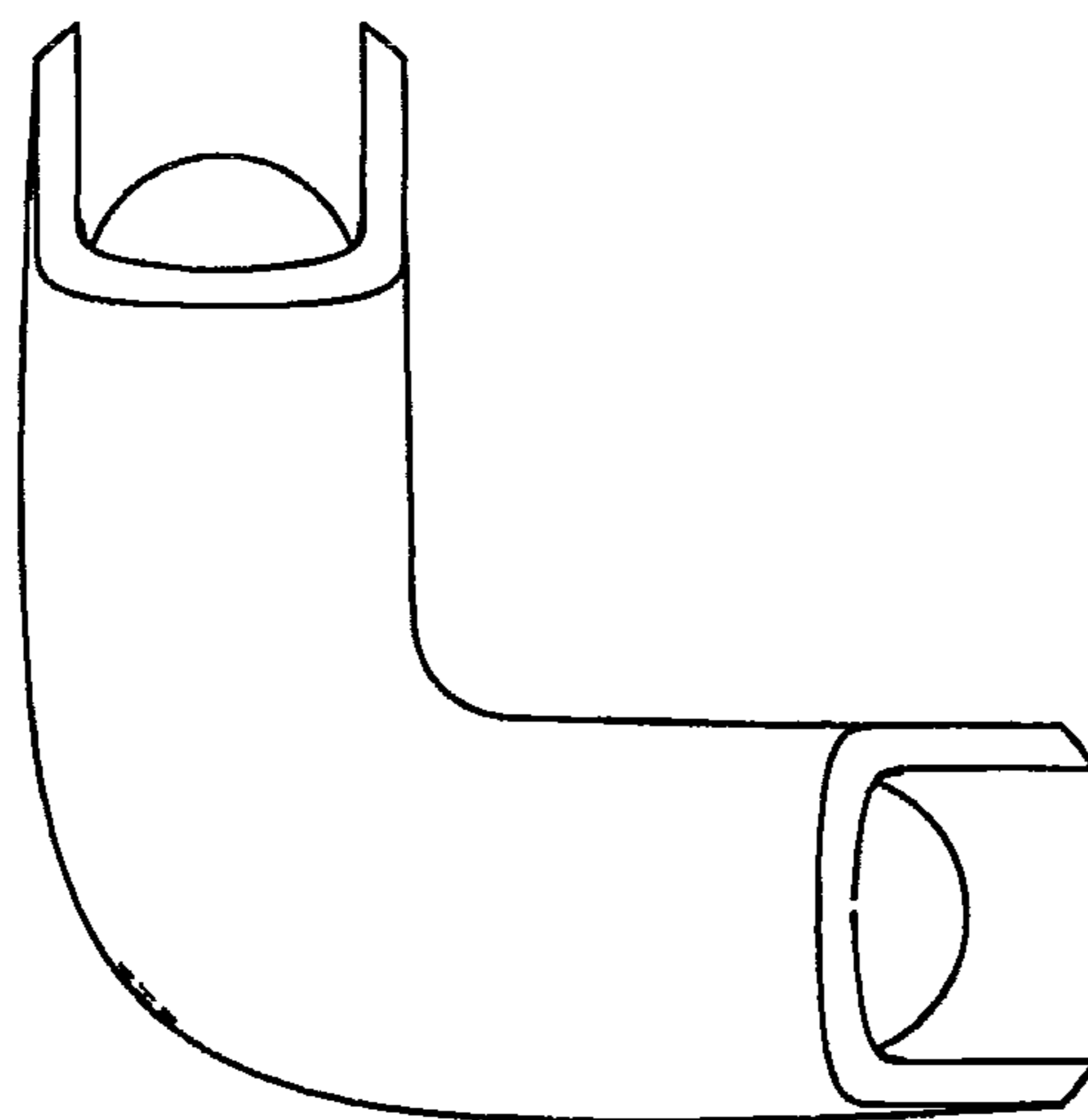


FIG. 10

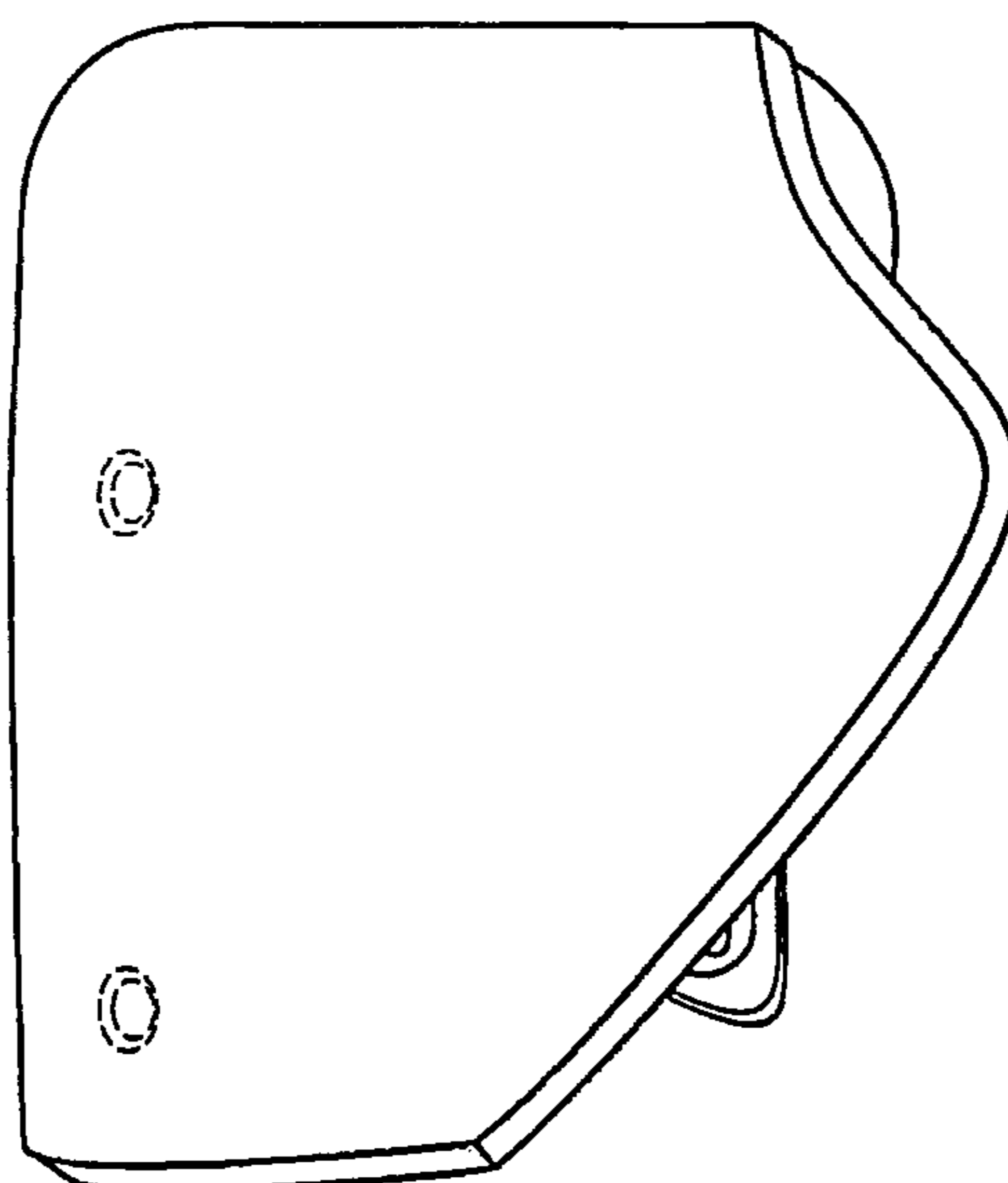


FIG. 11

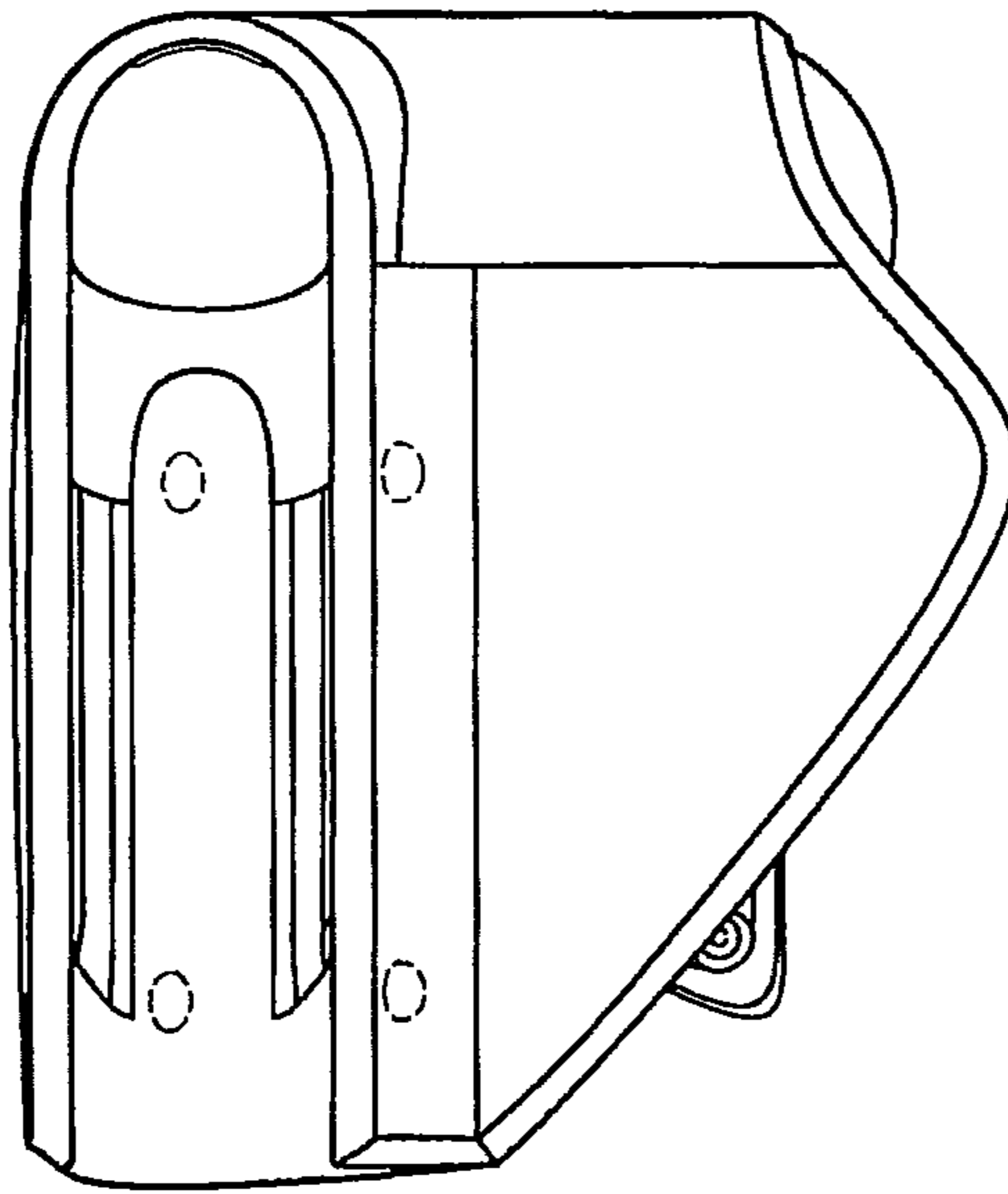


FIG. 12

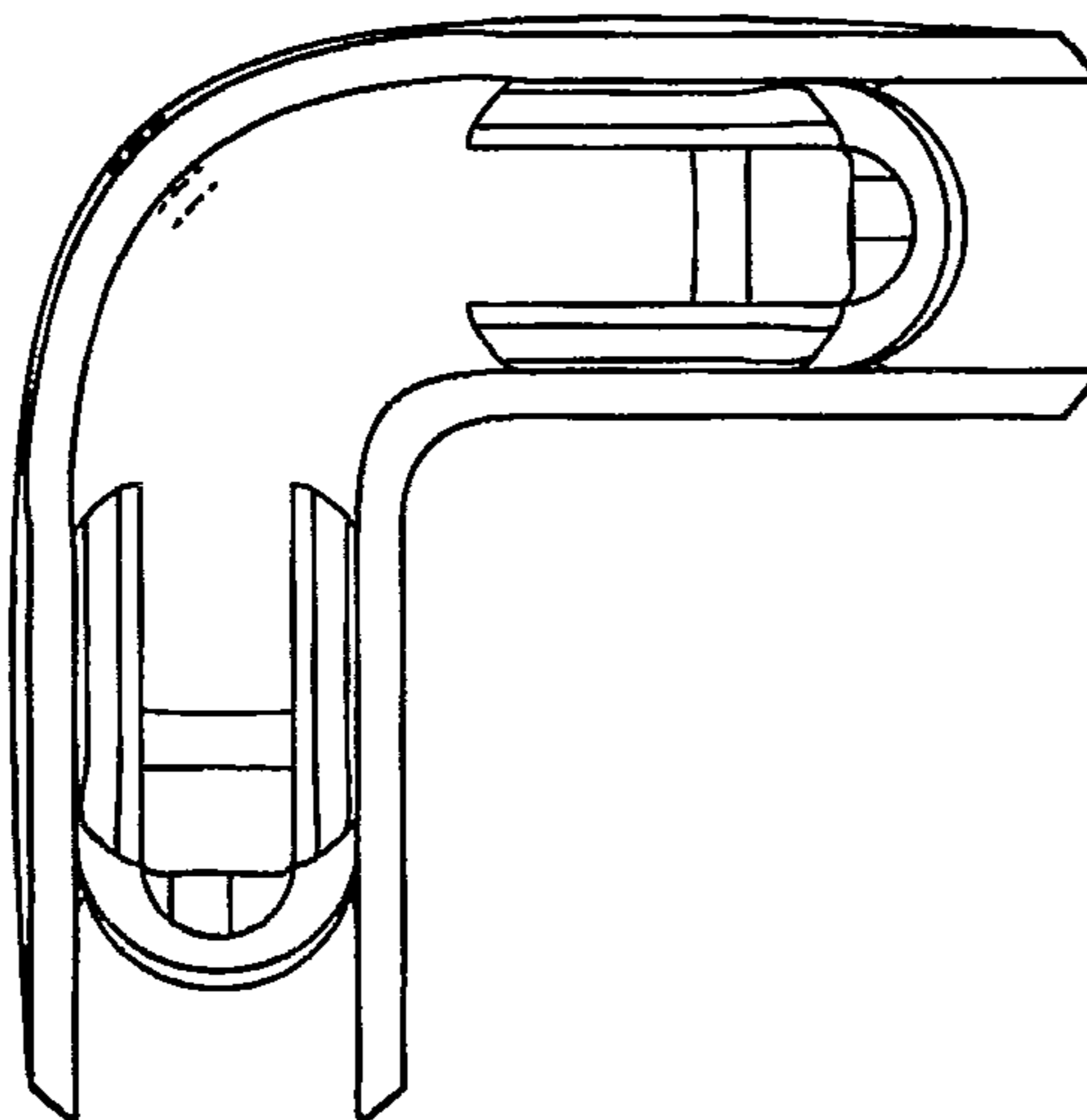


FIG. 13