



US00D688113S

(12) **United States Design Patent**  
**Schmidt et al.**

(10) **Patent No.:** **US D688,113 S**

(45) **Date of Patent:** **\*\* \*Aug. 20, 2013**

(54) **COMBINATION DISC LOCK**

(56) **References Cited**

(71) Applicant: **Wordlock, Inc.**, Santa Clara, CA (US)

(72) Inventors: **Peter Schmidt**, San Jose, CA (US);  
**Kurt Kemppainen**, Mound, MN (US);  
**Rahn Basche**, Los Altos, CA (US)

(73) Assignee: **Wordlock, Inc.**, Santa Clara, CA (US)

(\*) Notice: This patent is subject to a terminal disclaimer.

(\*\*) Term: **14 Years**

(21) Appl. No.: **29/434,491**

(22) Filed: **Oct. 12, 2012**

**Related U.S. Application Data**

(63) Continuation of application No. 29/418,923, filed on Apr. 23, 2012, which is a continuation of application No. 29/400,306, filed on Aug. 5, 2011, now Pat. No. Des. 662,395.

(51) **LOC (9) Cl.** ..... **08-07**

(52) **U.S. Cl.**  
USPC ..... **D8/334; D8/330**

(58) **Field of Classification Search**  
USPC ..... D8/330, 331, 333, 335, 339; 70/20,  
70/24-29, 31, 35, 38 R, 40-48, 14

See application file for complete search history.

U.S. PATENT DOCUMENTS

1,179,970	A *	4/1916	Fowles	.....	439/335
5,044,180	A *	9/1991	Lebrecht	.....	70/48
5,765,409	A *	6/1998	Yang	.....	70/28
D407,294	S *	3/1999	Chen	.....	D8/334
5,901,587	A *	5/1999	Chen	.....	70/28
5,921,123	A *	7/1999	Schwarzkopf et al.	.....	70/371
6,363,758	B1 *	4/2002	Ling	.....	70/30
D511,673	S *	11/2005	Lai	.....	D8/334
D524,632	S *	7/2006	Kearns et al.	.....	D8/334
D541,630	S *	5/2007	Blomstrom	.....	D8/334
D542,625	S *	5/2007	Blomstrom et al.	.....	D8/334
D638,685	S *	5/2011	Schmidt et al.	.....	D8/334
D649,013	S *	11/2011	Schmidt et al.	.....	D8/334

\* cited by examiner

*Primary Examiner* — Prabhakar Deshmukh

(74) *Attorney, Agent, or Firm* — Perkins Coie LLP

(57) **CLAIM**

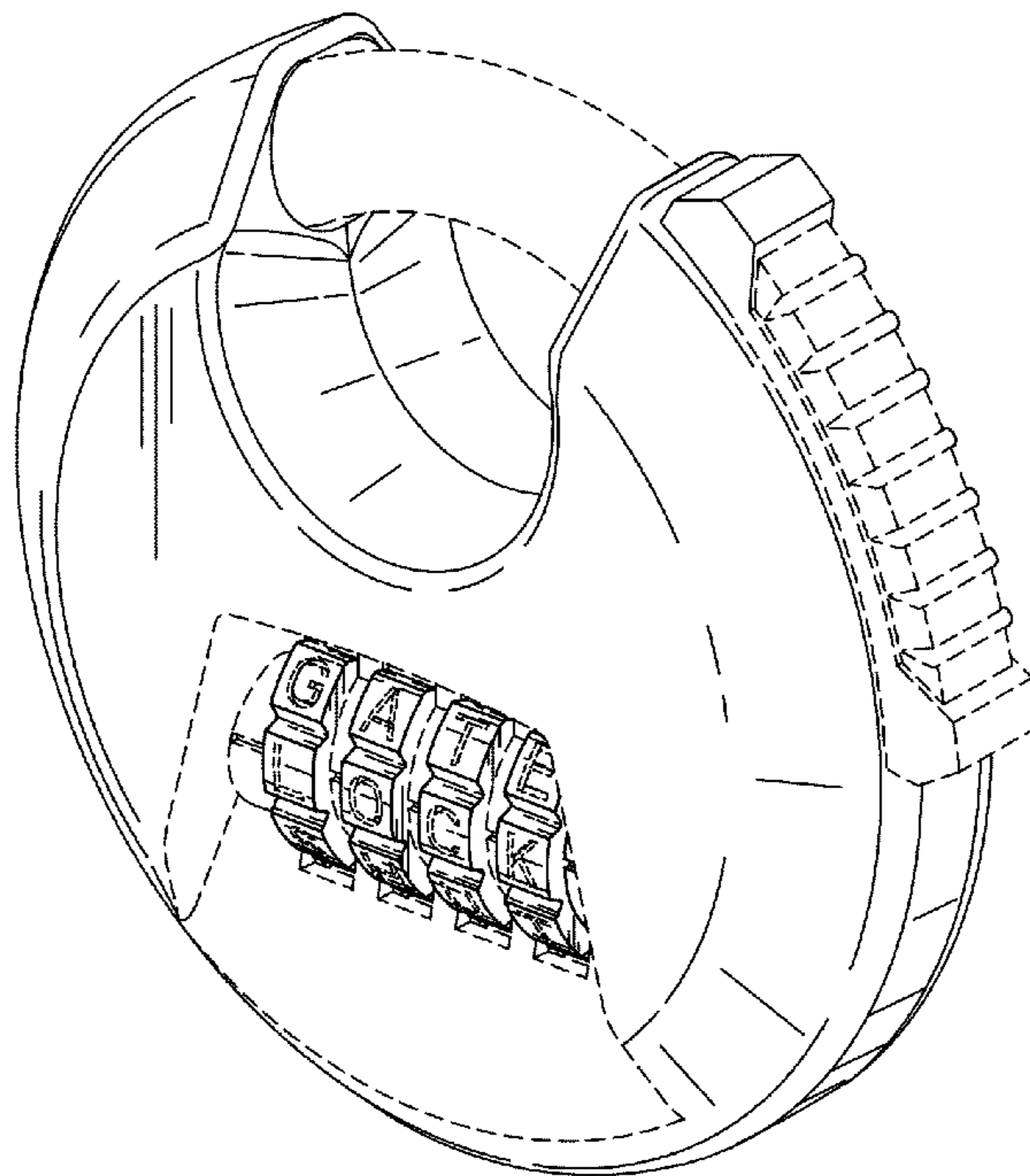
The ornamental design for a combination disc lock, as shown and described.

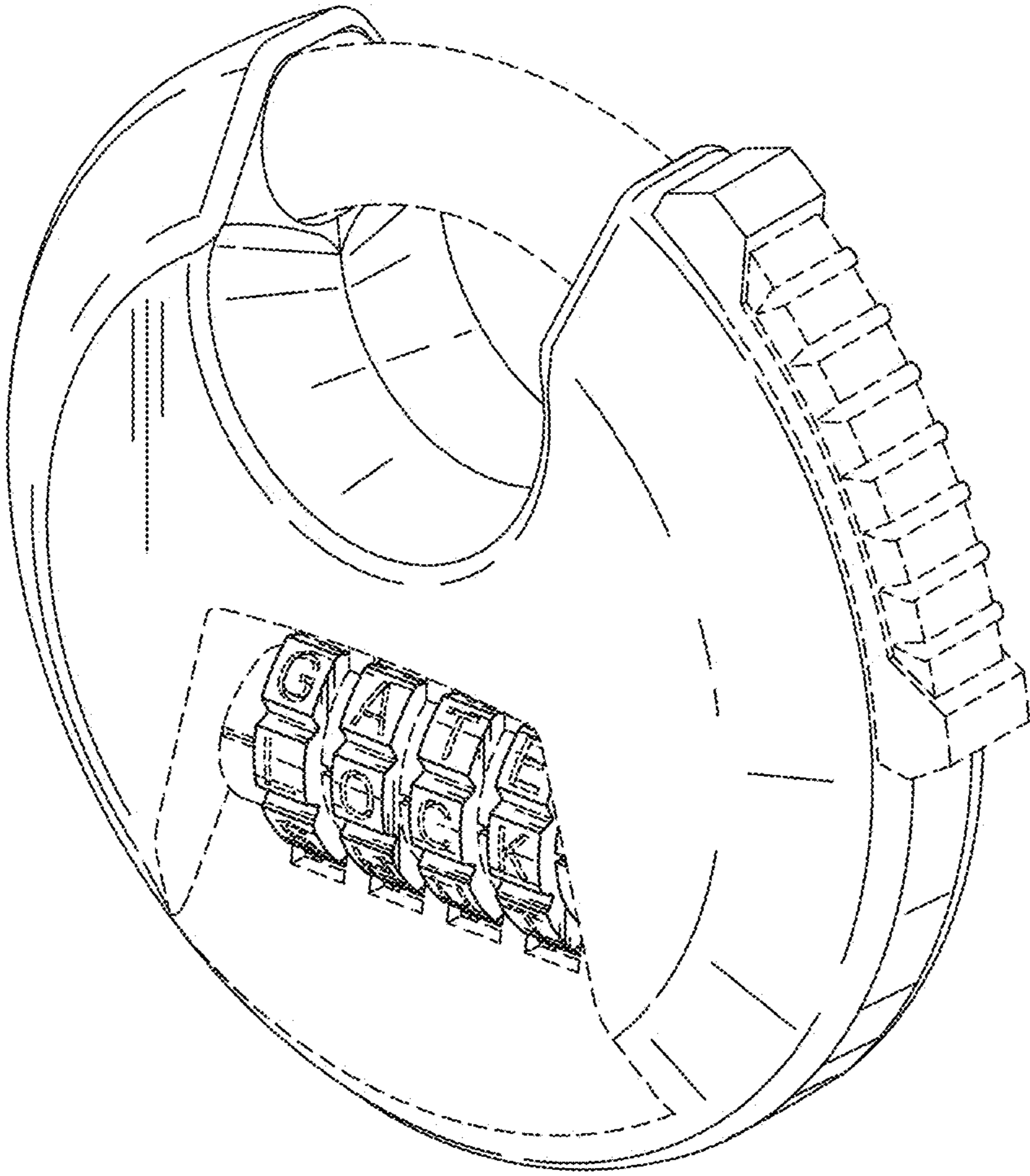
**DESCRIPTION**

FIG. 1 is a perspective view of a combination disc lock showing our new design;  
FIG. 2 is a front elevational view thereof;  
FIG. 3 is a rear elevational view thereof;  
FIG. 4 is a right side elevational view thereof;  
FIG. 5 is a left side elevational view thereof;  
FIG. 6 is a top plan view thereof; and,  
FIG. 7 is a bottom plan view thereof.

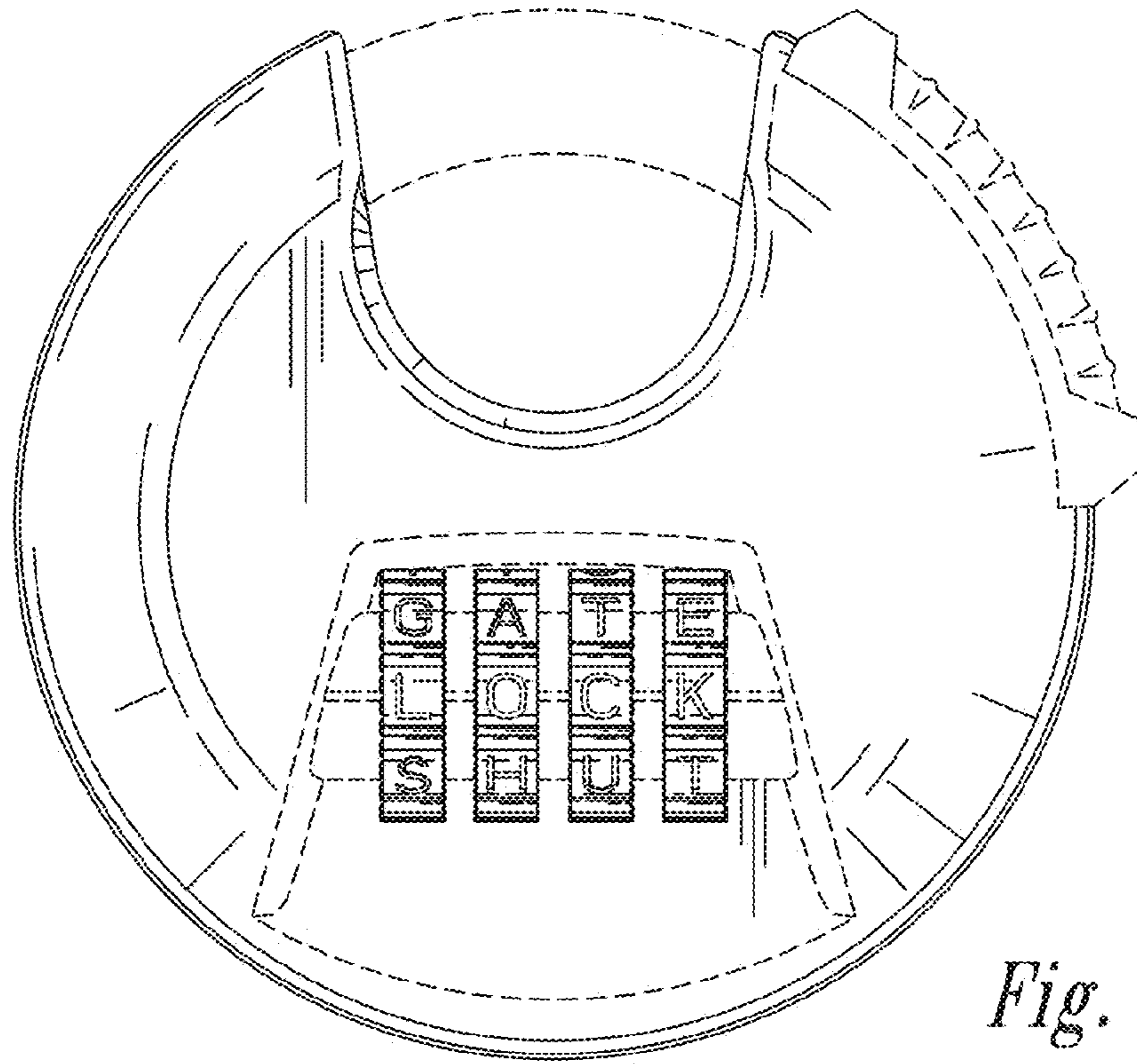
The broken lines immediately adjacent to the claimed areas in the views represent the boundaries of the design. The other broken lines illustrate the disclaimed portions of the design. None of the broken lines form part of the claimed design.

**1 Claim, 3 Drawing Sheets**

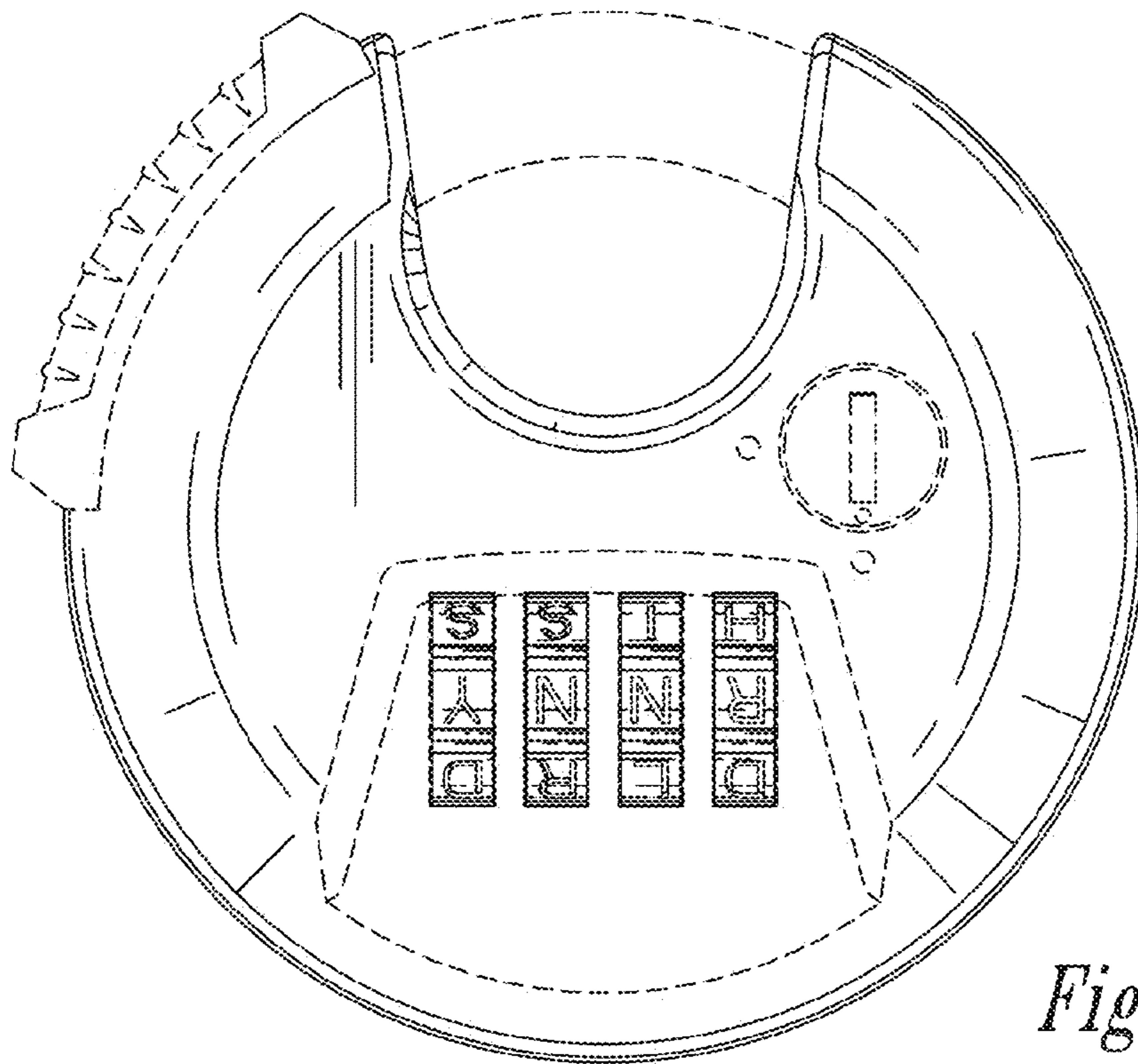




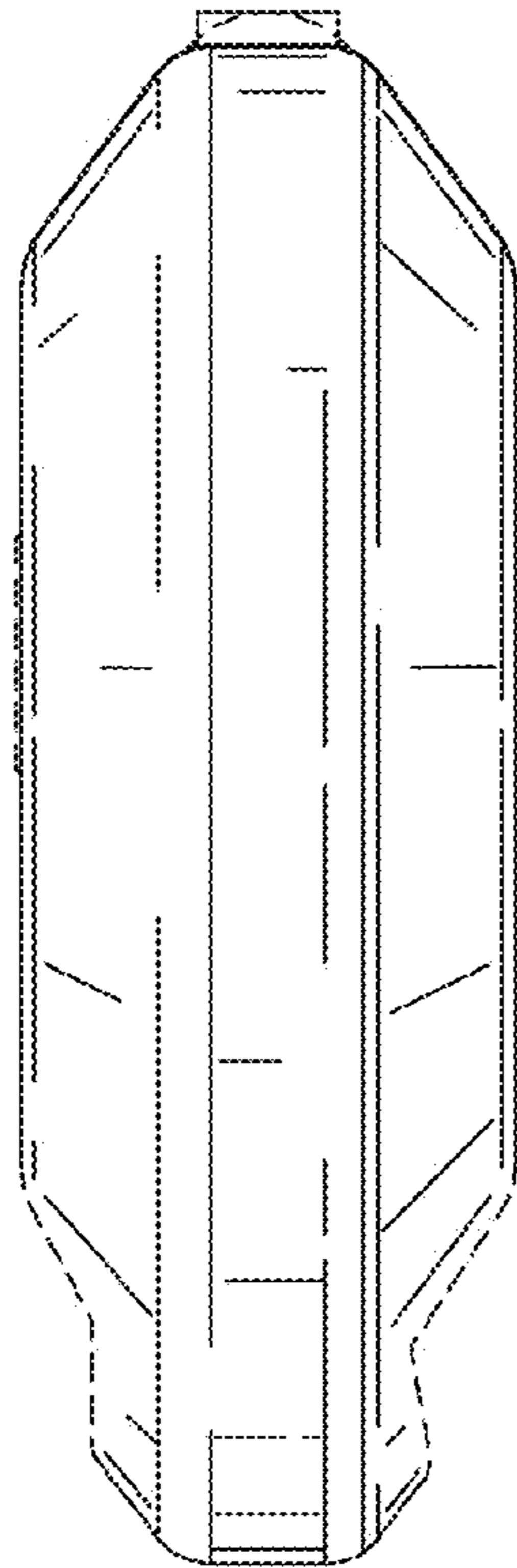
*Fig. 1*



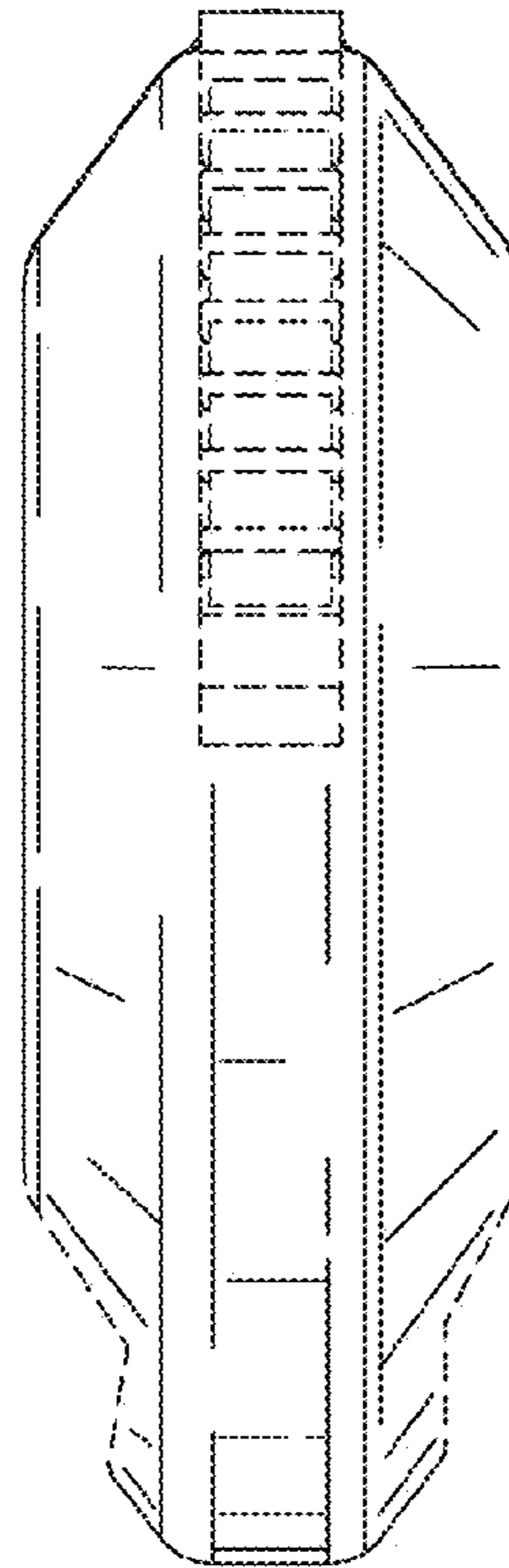
*Fig. 2*



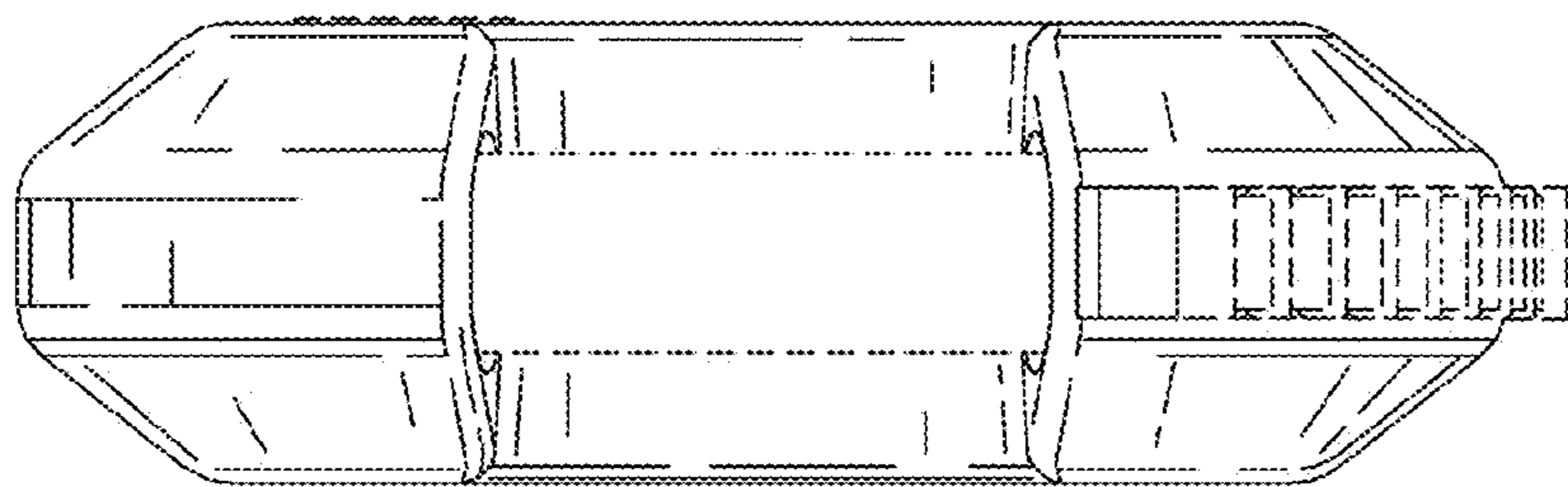
*Fig. 3*



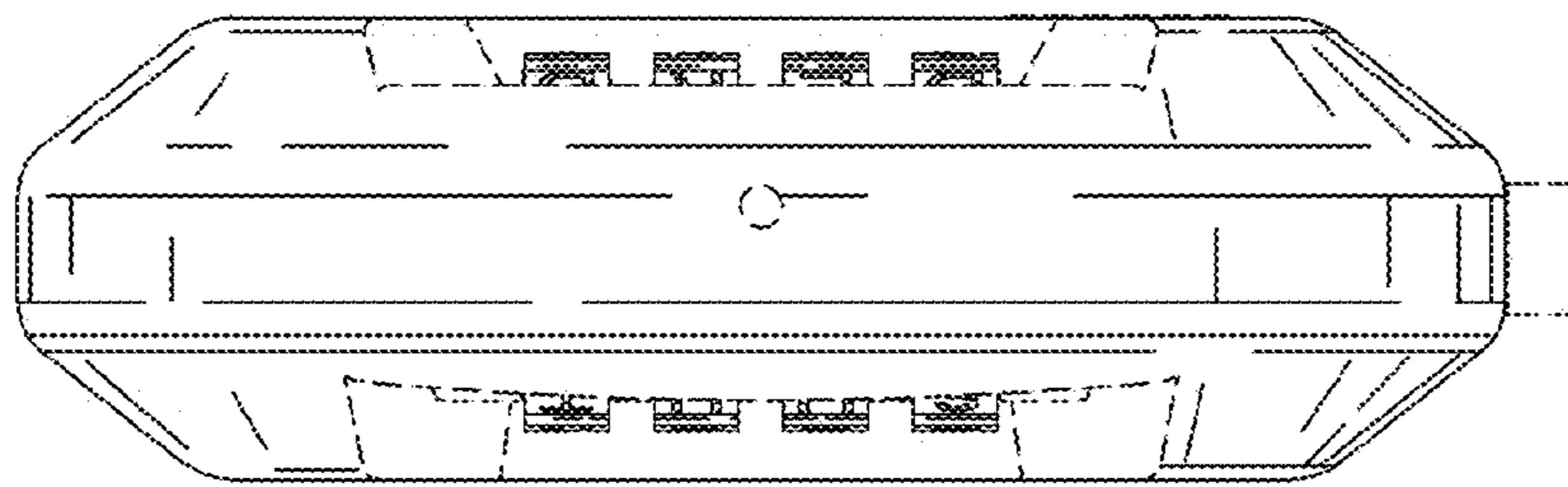
*Fig. 4*



*Fig. 5*



*Fig. 6*



*Fig. 7*