



US00D688112S

(12) **United States Design Patent**
Song et al.

(10) **Patent No.:** **US D688,112 S**

(45) **Date of Patent:** **** Aug. 20, 2013**

(54) **VEHICLE REAR DOOR HANDLE**
(75) Inventors: **Solomon H. Song**, Farmington Hills, MI
(US); **Darrell Paul Behmer**, Novi, MI
(US)

(73) Assignee: **Ford Motor Company**, Dearborn, MI
(US)

(**) Term: **14 Years**

(21) Appl. No.: **29/416,971**

(22) Filed: **Mar. 29, 2012**

(51) **LOC (9) Cl.** **08-06**

(52) **U.S. Cl.**
USPC **D8/302**

(58) **Field of Classification Search**
USPC D8/300, 302, 308; 16/110.1, 412,
16/444; 292/336.3, 216, DIG. 23, 336.2;
70/208, 224; D12/195
See application file for complete search history.

(56) **References Cited**

U.S. PATENT DOCUMENTS

2,345,371	A *	3/1944	Amrine	16/444
2,355,978	A *	8/1944	Keeler	16/412
2,606,783	A *	8/1952	Roethel	292/336.3
2,610,080	A *	9/1952	Jakeway	292/336.3
2,703,729	A *	3/1955	Jakeway	292/336.3
D185,476	S *	6/1959	Westman	D8/320
3,507,132	A *	4/1970	Schwenk	70/224
5,740,587	A *	4/1998	Onai et al.	16/412
6,007,122	A *	12/1999	Linder et al.	292/336.3
6,239,693	B1 *	5/2001	Benard et al.	340/426.26

6,363,577	B1 *	4/2002	Spitzley	292/336.3
6,588,813	B1 *	7/2003	Marcarini et al.	292/347
6,719,336	B2 *	4/2004	Sato	292/336.3
D495,942	S *	9/2004	Ramos et al.	D8/308
7,300,190	B2 *	11/2007	Nitawaki et al.	362/501
7,431,357	B2 *	10/2008	Pudney	292/336.3
D593,396	S *	6/2009	Habib	D8/308
D672,219	S *	12/2012	Blanski et al.	D8/302

* cited by examiner

Primary Examiner — Paula Greene

(74) *Attorney, Agent, or Firm* — Damian Porcari

(57) **CLAIM**

The ornamental design for a vehicle rear door handle, as shown and described.

DESCRIPTION

FIG. 1 is a left side elevational view of a left vehicle rear door handle (the right vehicle rear door handle being a mirror image and is not shown);

FIG. 2 is a front elevational view of the vehicle rear door handle;

FIG. 3 is a rear elevational view of the vehicle rear door handle;

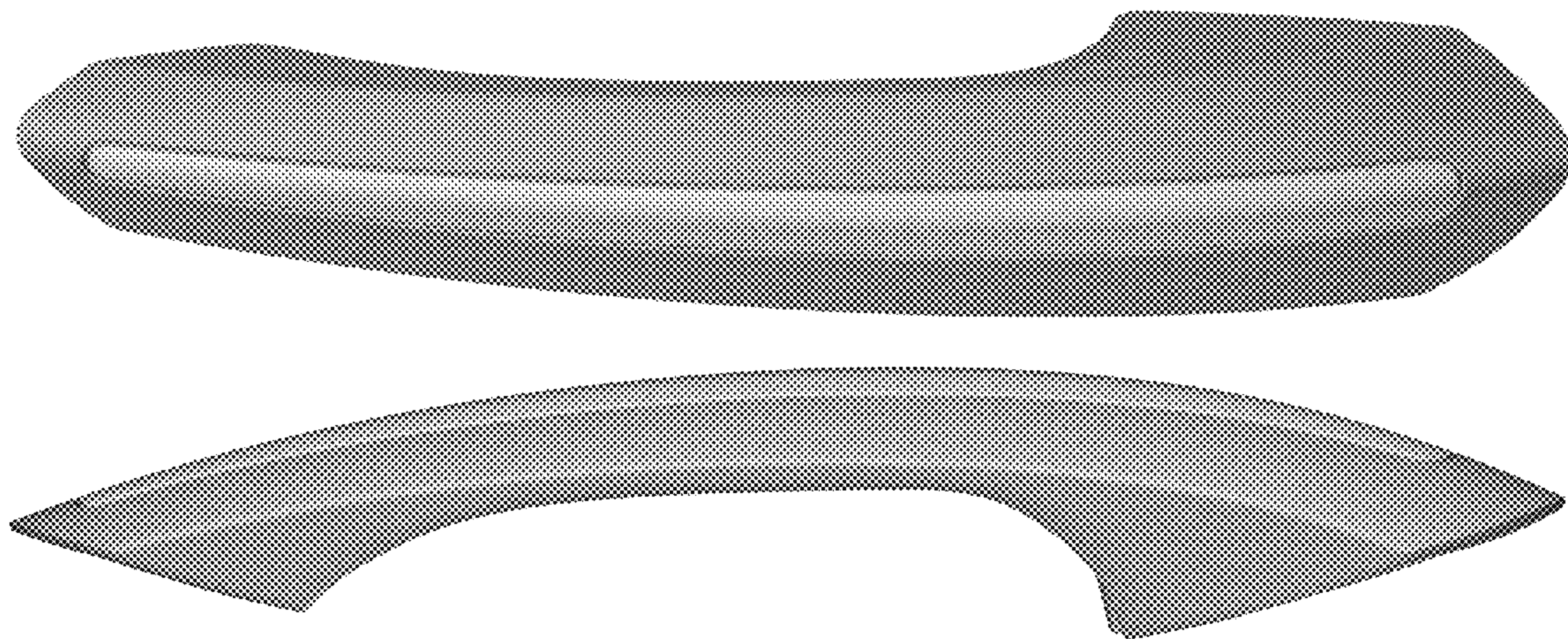
FIG. 4 is a top plan view of the vehicle rear door handle;

FIG. 5 is a bottom plan view of the vehicle rear door handle;

FIG. 6 is a perspective view of the vehicle rear door handle; and,

FIG. 7 is another perspective view of the vehicle rear door handle.

1 Claim, 7 Drawing Sheets



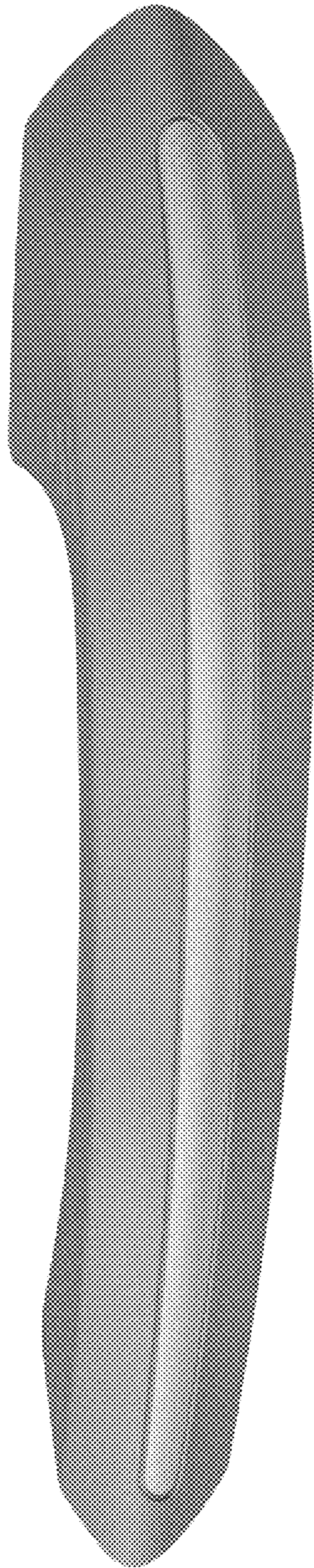


Figure 1

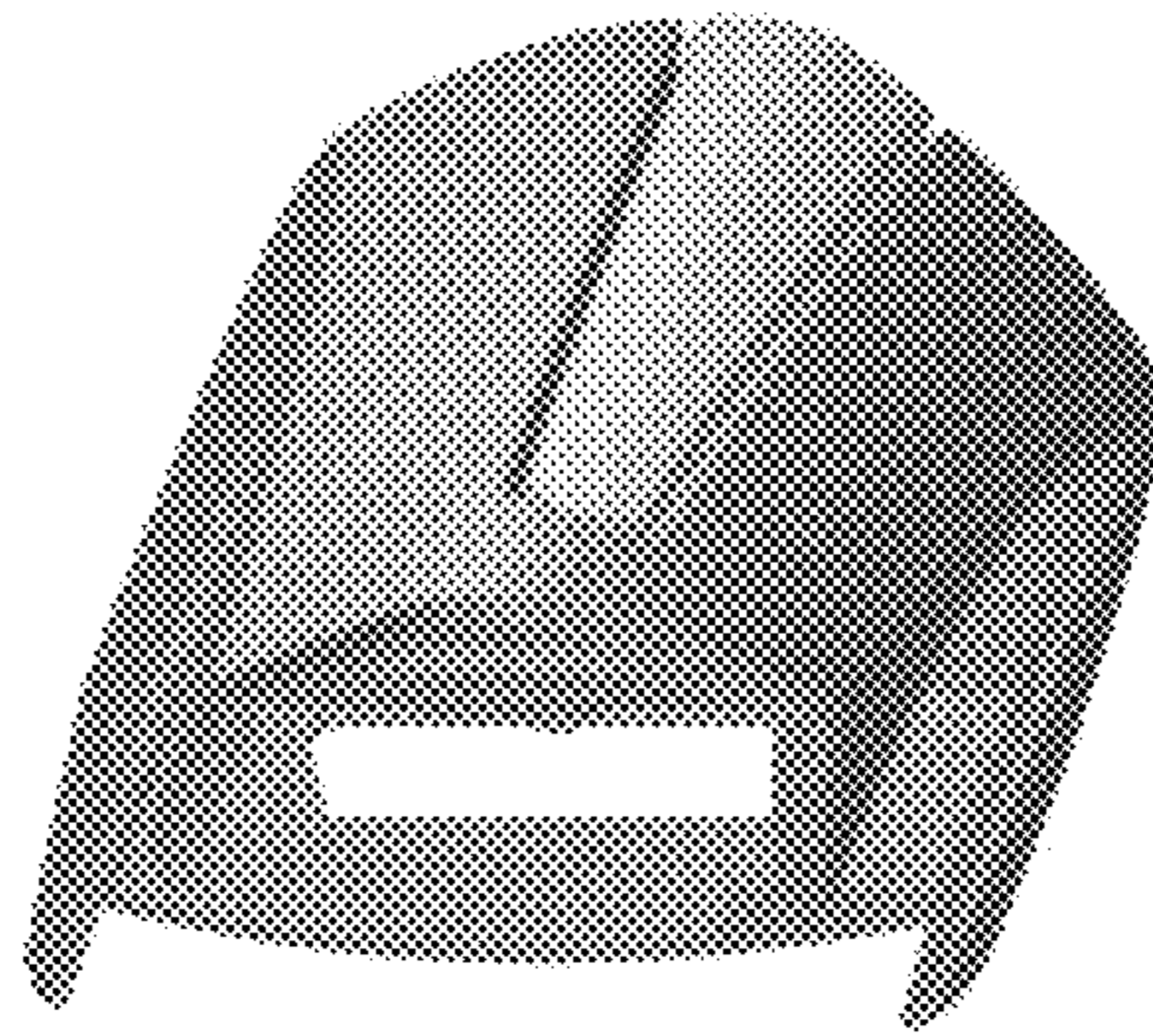


Figure 2

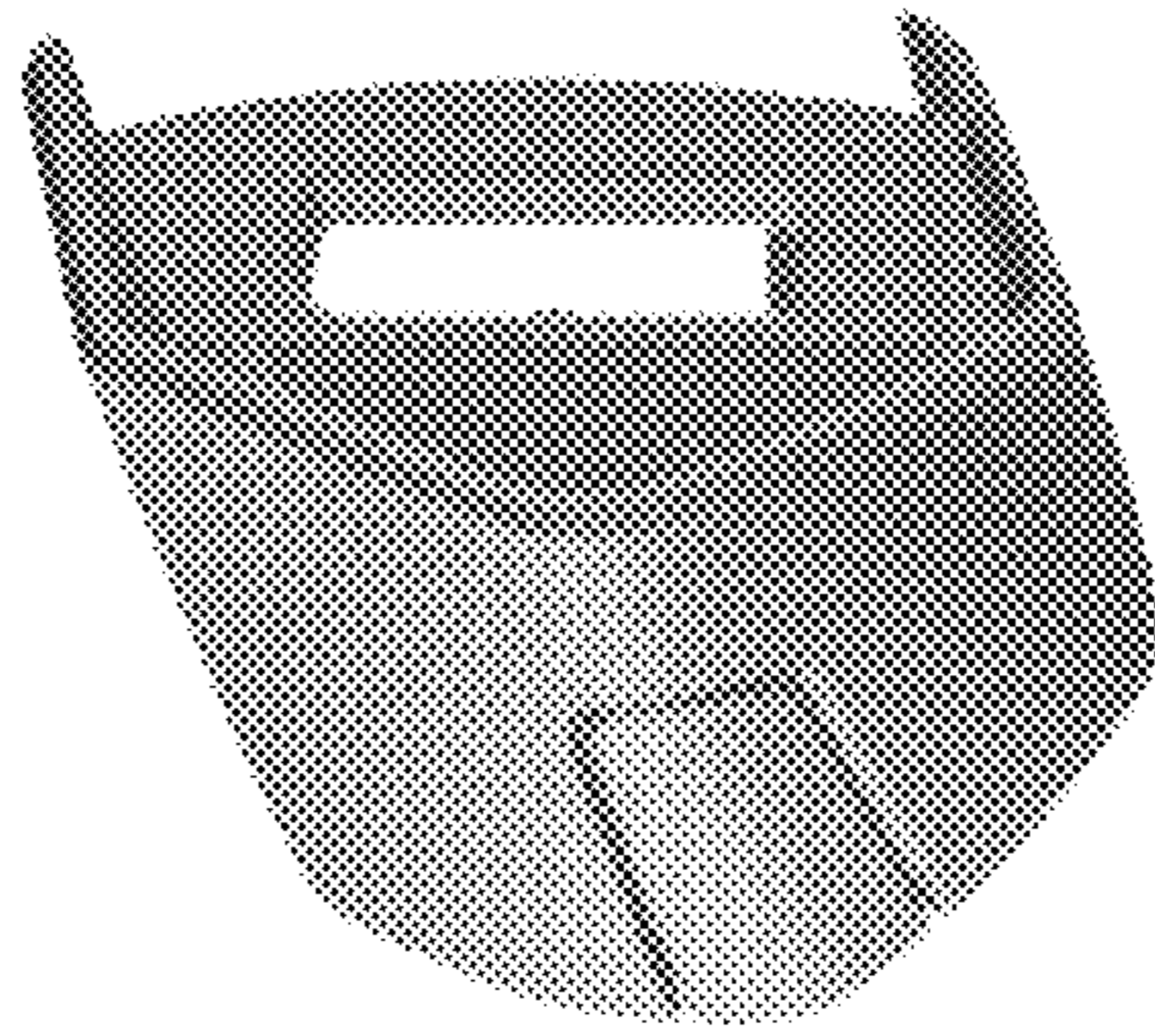


Figure 3

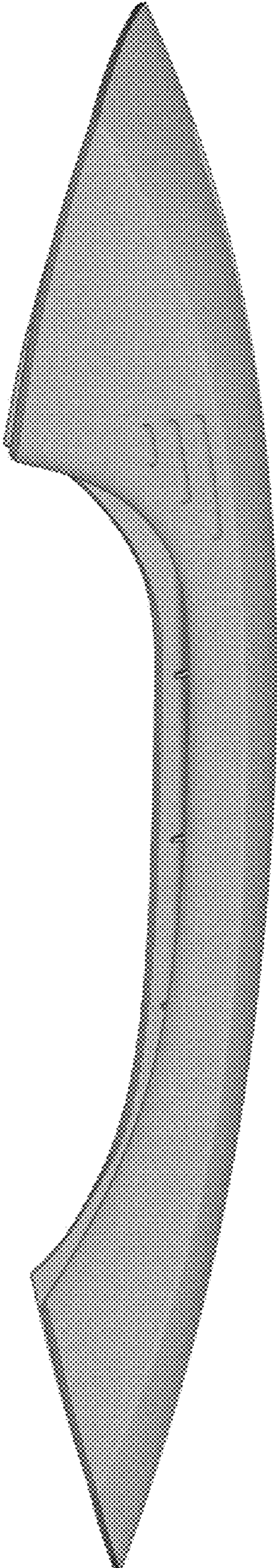
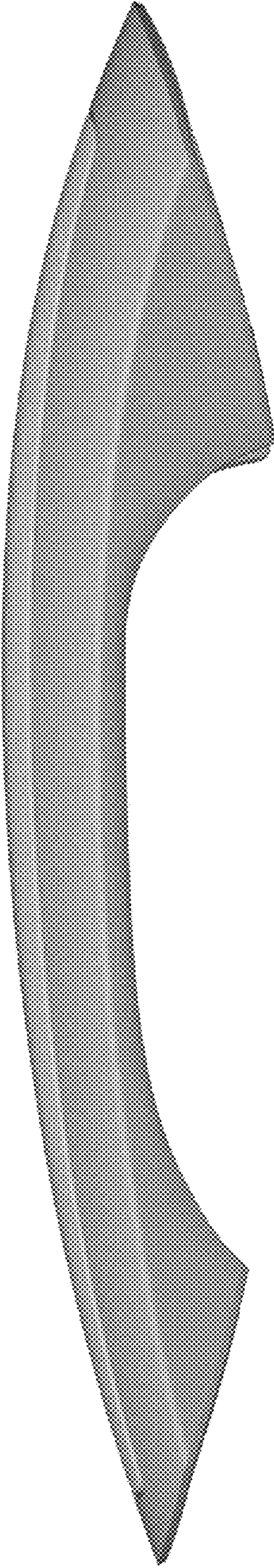


Figure 4

Figure 5



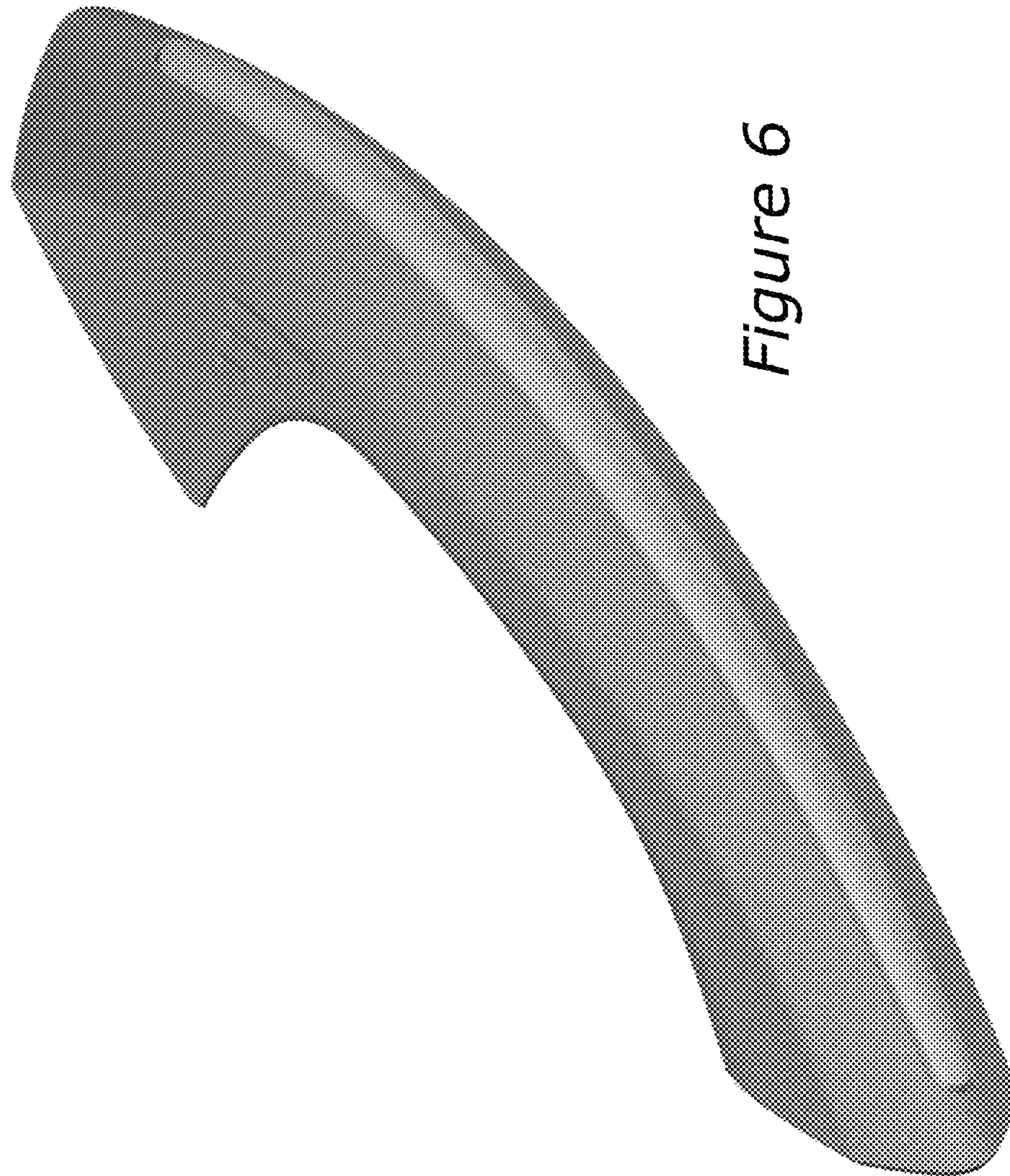


Figure 6

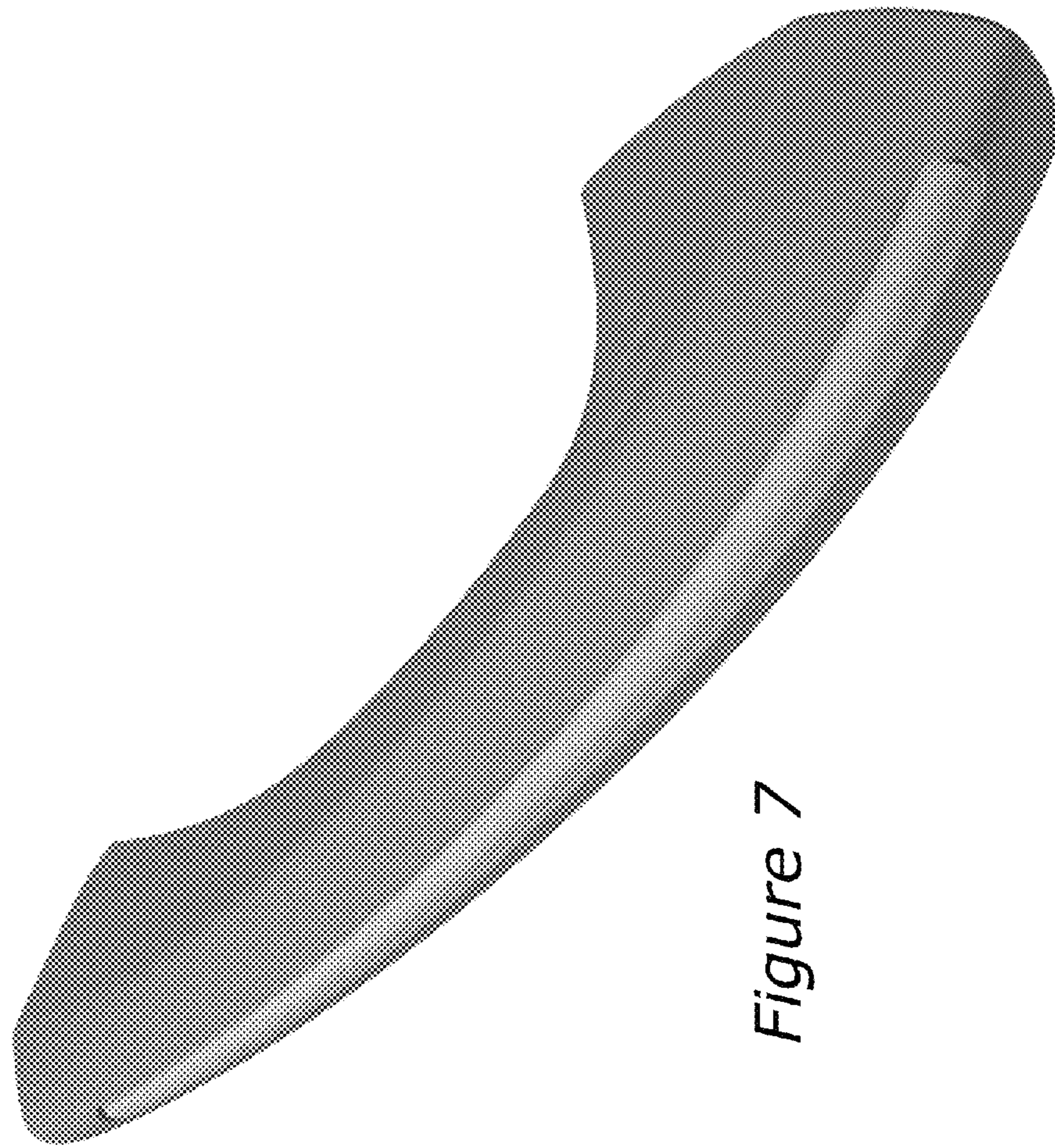


Figure 7