



US00D688109S

(12) **United States Design Patent**
Vanderbeek et al.

(10) **Patent No.:** **US D688,109 S**
(45) **Date of Patent:** **** Aug. 20, 2013**

- (54) **PISTOL GRIP SCREWDRIVER**
- (75) Inventors: **Karl Vanderbeek**, Germantown, OH (US); **Gregory Tropea**, Berlin, CT (US); **Nidta Viyakornvilas**, West Hartford, CT (US)
- (73) Assignee: **Stanley Black & Decker, Inc.**, New Britain, CT (US)
- (**) Term: **14 Years**
- (21) Appl. No.: **29/431,486**
- (22) Filed: **Sep. 7, 2012**
- (51) **LOC (9) Cl.** **08-01**
- (52) **U.S. Cl.**
USPC **D8/61**
- (58) **Field of Classification Search**
USPC D8/61, 62, 67, 69; 81/57, 57.11, 81/57.14, 57.26, 429, 464, 469; 173/2, 170, 173/176, 181
See application file for complete search history.

5,737,982 A	4/1998	Lin	
D423,897 S *	5/2000	Cooper	D8/61
6,189,420 B1	2/2001	Shiao	
D443,491 S *	6/2001	Robson	D8/61
6,308,599 B1	10/2001	Fu-Hui	
6,311,583 B1	11/2001	Izumisawa	
6,386,075 B1	5/2002	Shiao	
6,397,708 B1	6/2002	Hung	
6,401,301 B1	6/2002	Hung	
6,401,576 B1	6/2002	Wu	
6,450,067 B1	9/2002	Liao	
D470,374 S *	2/2003	Murray	D8/61
6,520,053 B2	2/2003	Liao	
6,877,186 B2	4/2005	Shiao	
7,024,966 B2	4/2006	Chao	
7,047,846 B1	5/2006	Hu	
D528,385 S *	9/2006	Netzler	D8/61

(Continued)

Primary Examiner — Austin Murphy
(74) *Attorney, Agent, or Firm* — Pillsbury Winthrop Shaw Pittman LLP

(57) **CLAIM**
The ornamental design for a pistol grip screwdriver, as shown and described.

(56) **References Cited**

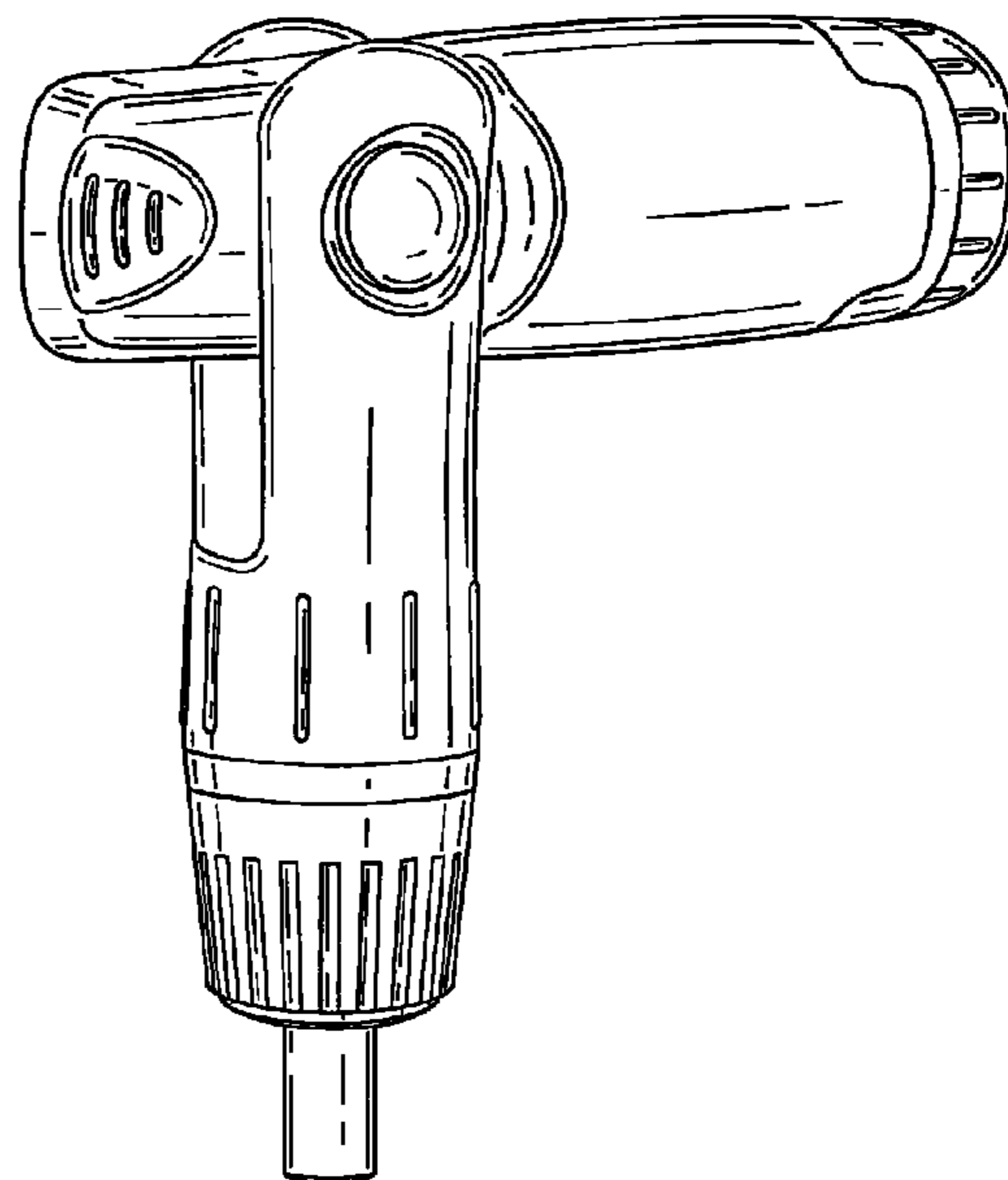
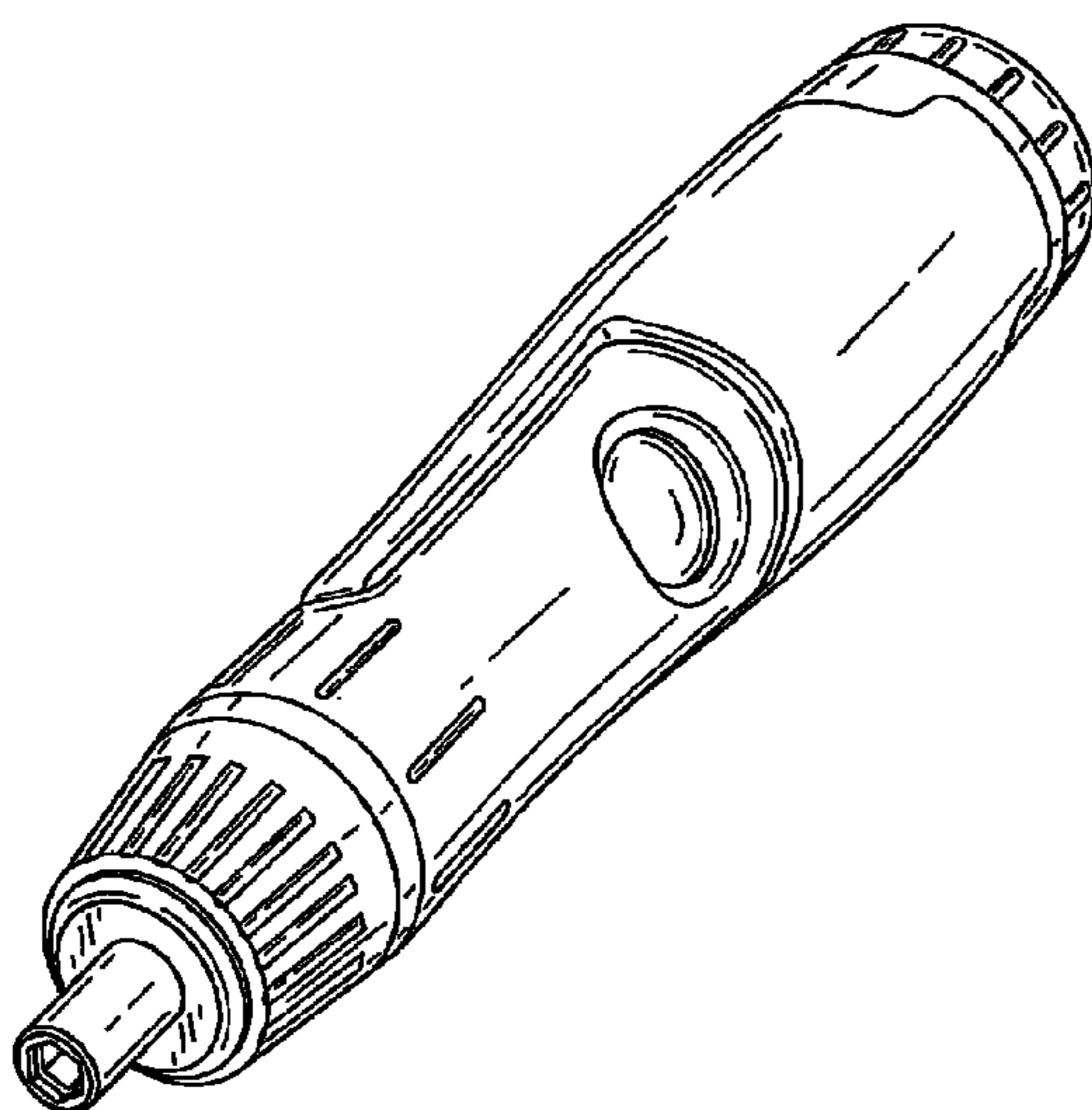
U.S. PATENT DOCUMENTS

2,182,673 A	12/1939	Magnano	
2,518,139 A	8/1950	Hallowell et al.	
4,170,909 A	10/1979	Wagner	
4,463,632 A	8/1984	Parke	
4,825,734 A	5/1989	Schwalbe et al.	
D303,205 S *	9/1989	Gierke et al.	D8/61
D308,622 S *	6/1990	Fushiya et al.	D8/61
5,069,091 A	12/1991	Bramsiepe et al.	
D341,531 S *	11/1993	Nagano et al.	D8/61
5,515,754 A	5/1996	Elkins	
D376,083 S *	12/1996	Verdura et al.	D8/61
D380,658 S *	7/1997	Bruno et al.	D8/61
D391,820 S *	3/1998	Bunyea	D8/61

DESCRIPTION

FIG. 1 is an isometric view according to our design; FIG. 2 is a right plan view of the design of FIG. 1; FIG. 3 is a left plan view of the design of FIG. 1; FIG. 4 is a bottom plan view of the design of FIG. 1; FIG. 5 is a top plan view of the design of FIG. 1; FIG. 6 is a rear plan view of the design of FIG. 1; FIG. 7 is a front plan view of the design of FIG. 1; and, FIGS. 8-14 are additional views of the design of FIGS. 1-7, but showing the pistol grip screwdriver in a pivoted configuration.

1 Claim, 8 Drawing Sheets



US D688,109 S

Page 2

(56)

References Cited

U.S. PATENT DOCUMENTS

7,287,450 B1 10/2007 Liao
D558,015 S * 12/2007 Aglassinger D8/61
D576,853 S * 9/2008 Aglassinger D8/61
D580,722 S * 11/2008 Chi D8/61
7,571,517 B2 8/2009 Smith et al.

D603,677 S 11/2009 Hi
7,698,972 B2 4/2010 Hi
7,866,235 B2 1/2011 Hi
2002/0043134 A1 4/2002 Ho
2003/0037643 A1 2/2003 Hess
2003/0200841 A1 10/2003 Novotny
2011/0146459 A1 6/2011 Chen et al.

* cited by examiner

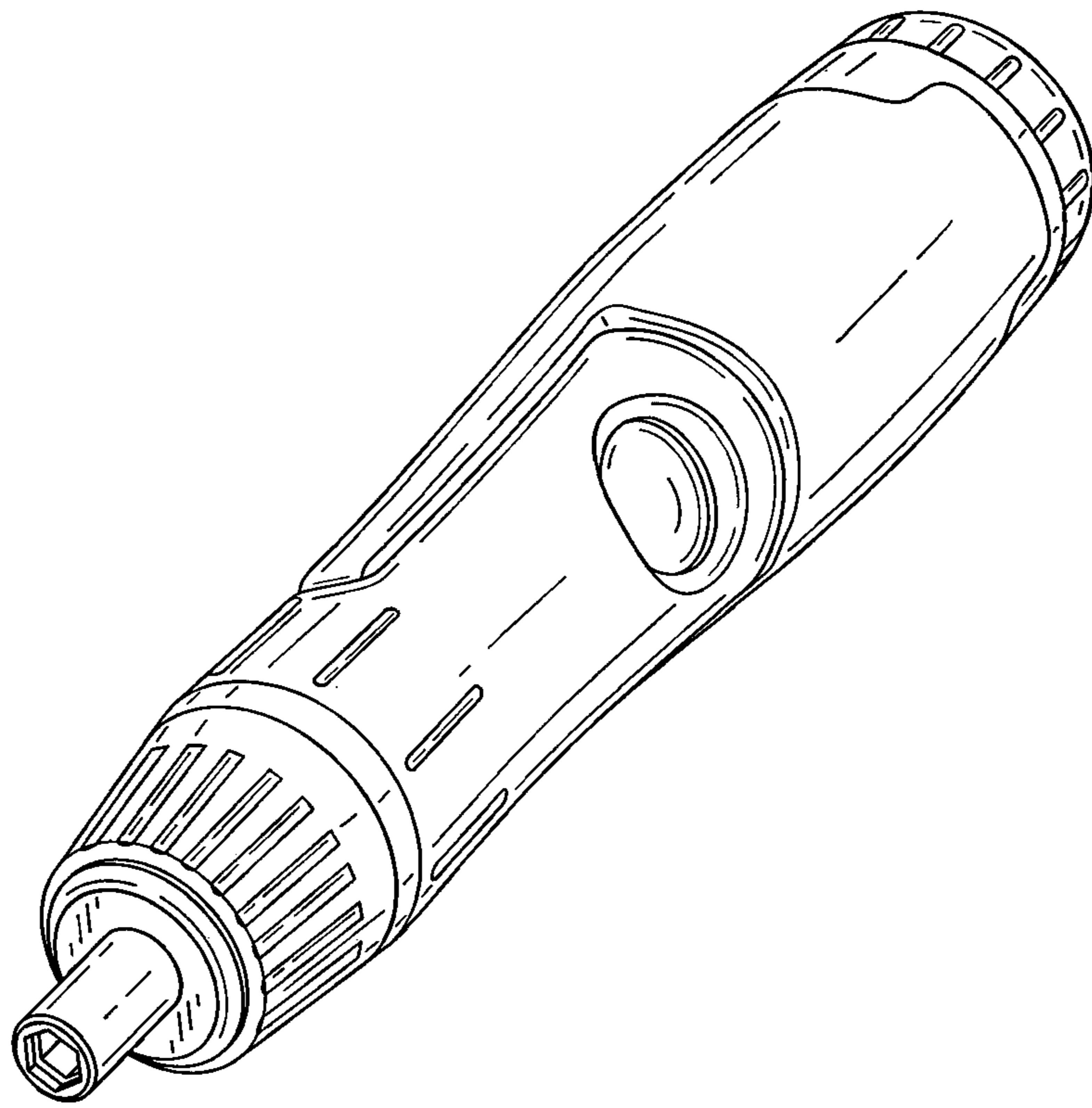


FIG. 1

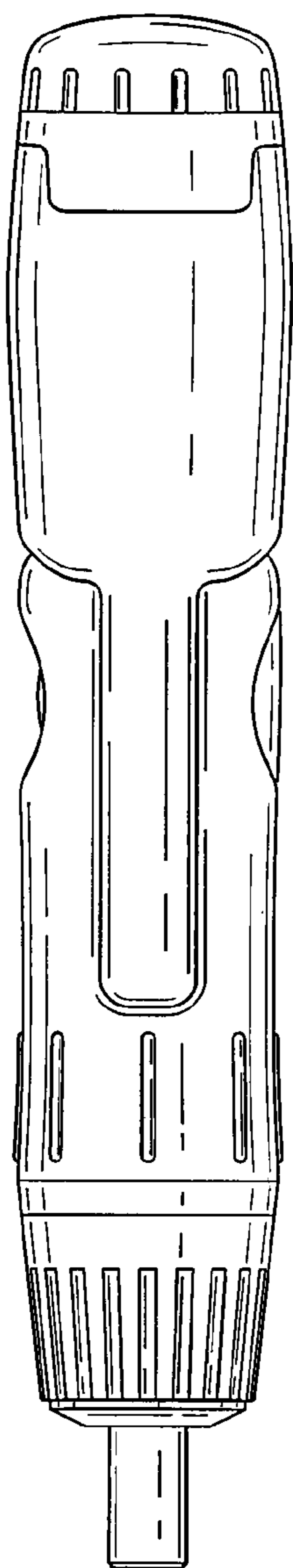


FIG. 2

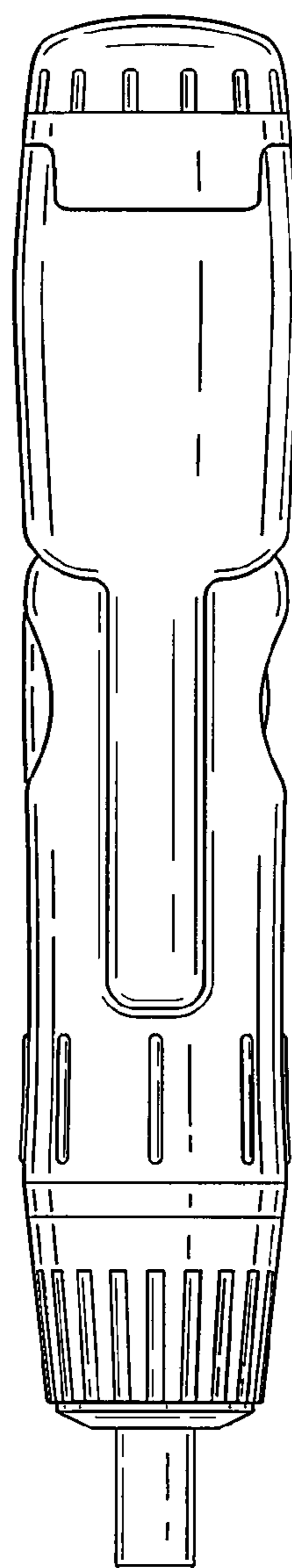


FIG. 3

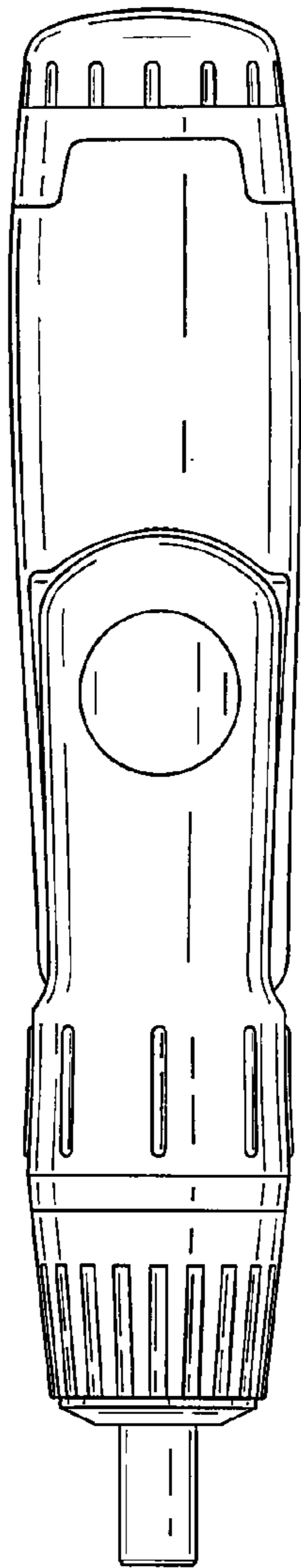


FIG. 4

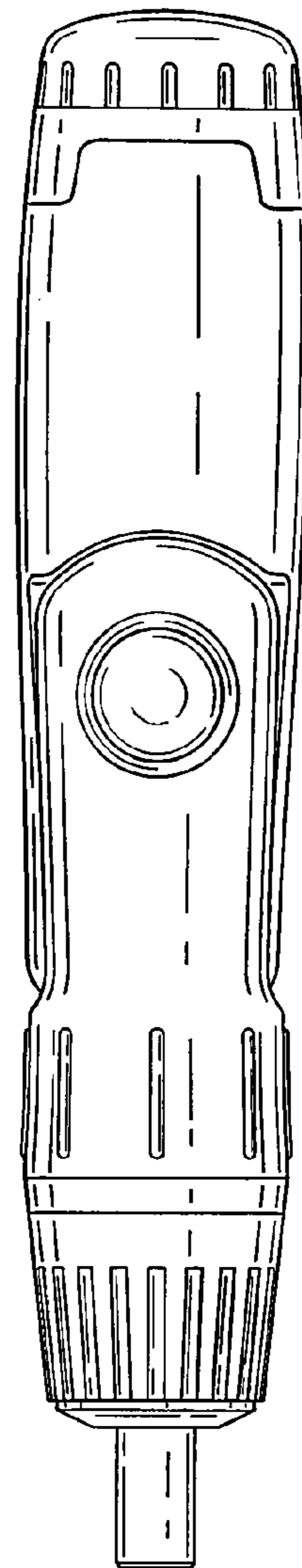


FIG. 5

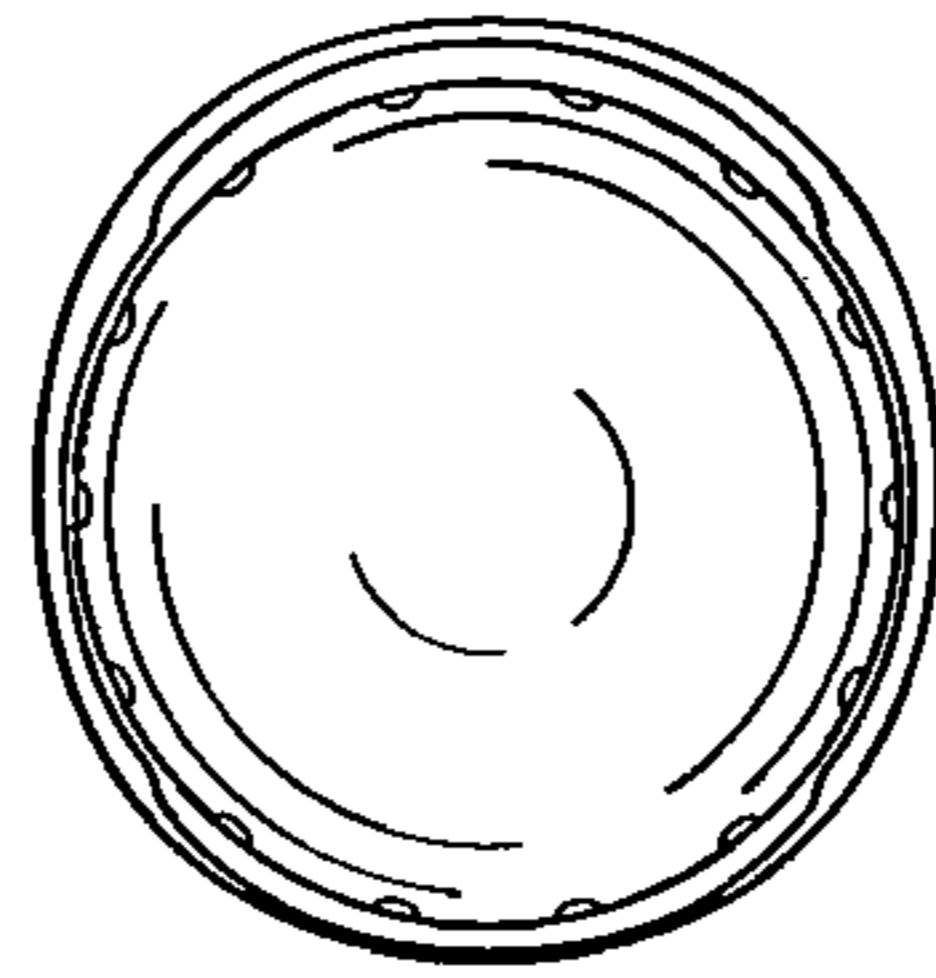


FIG. 6

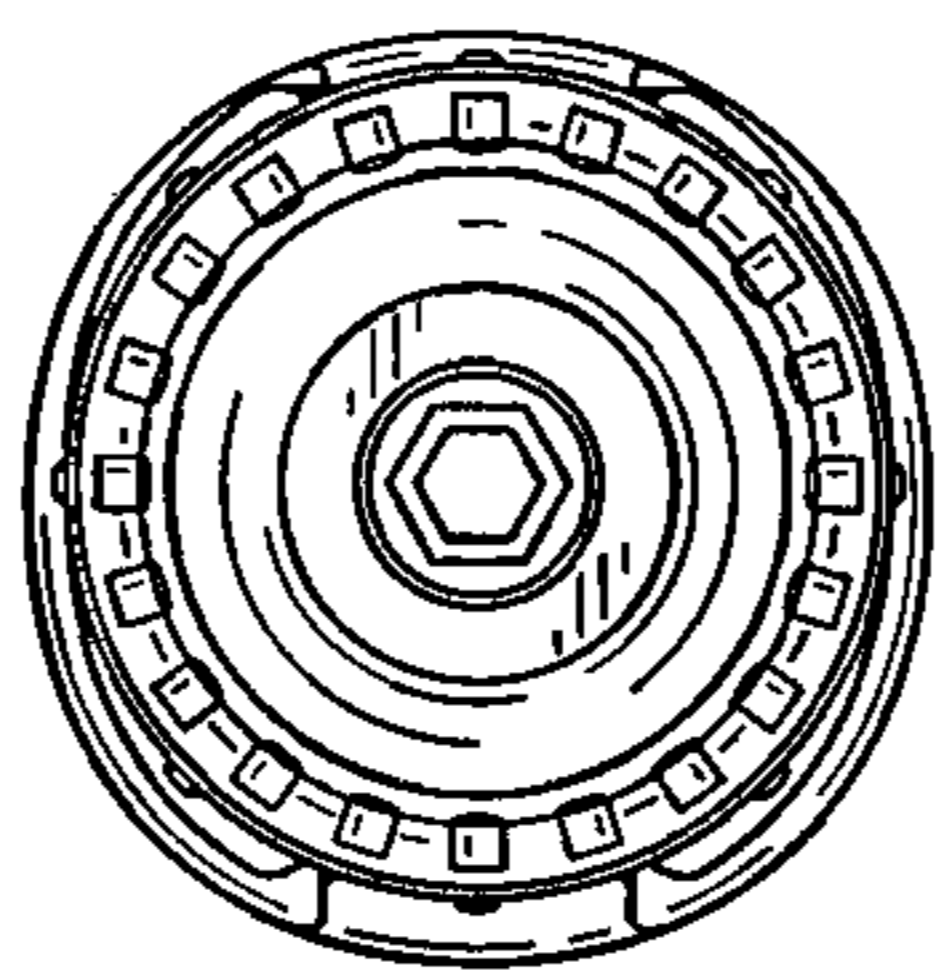


FIG. 7

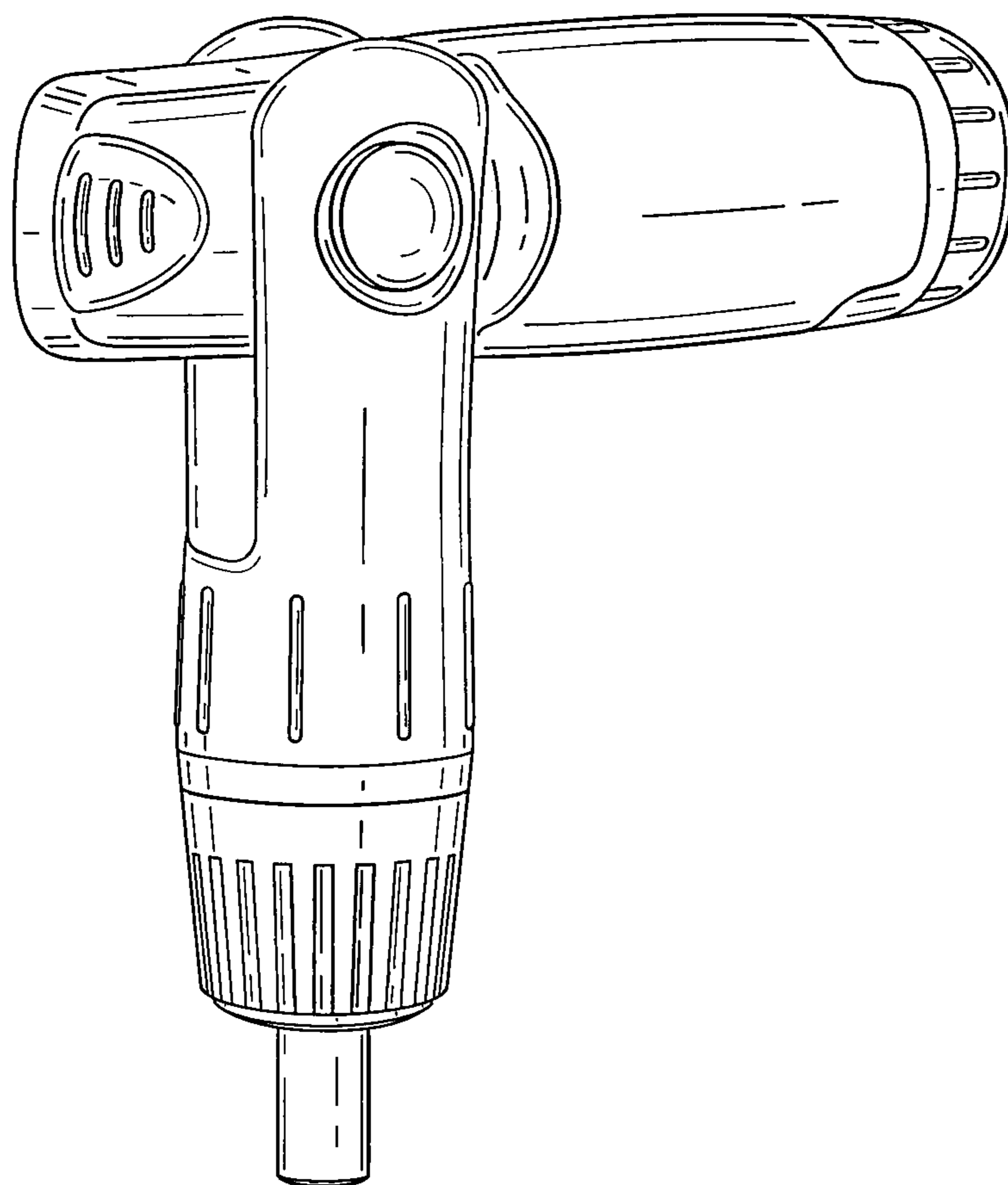


FIG. 8

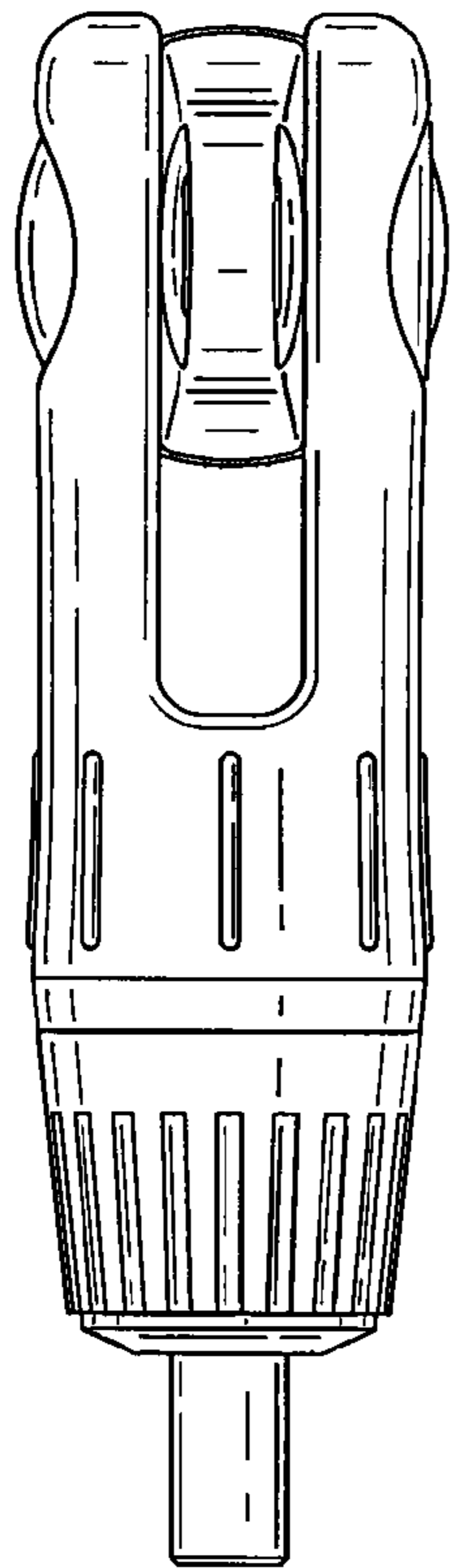


FIG. 9

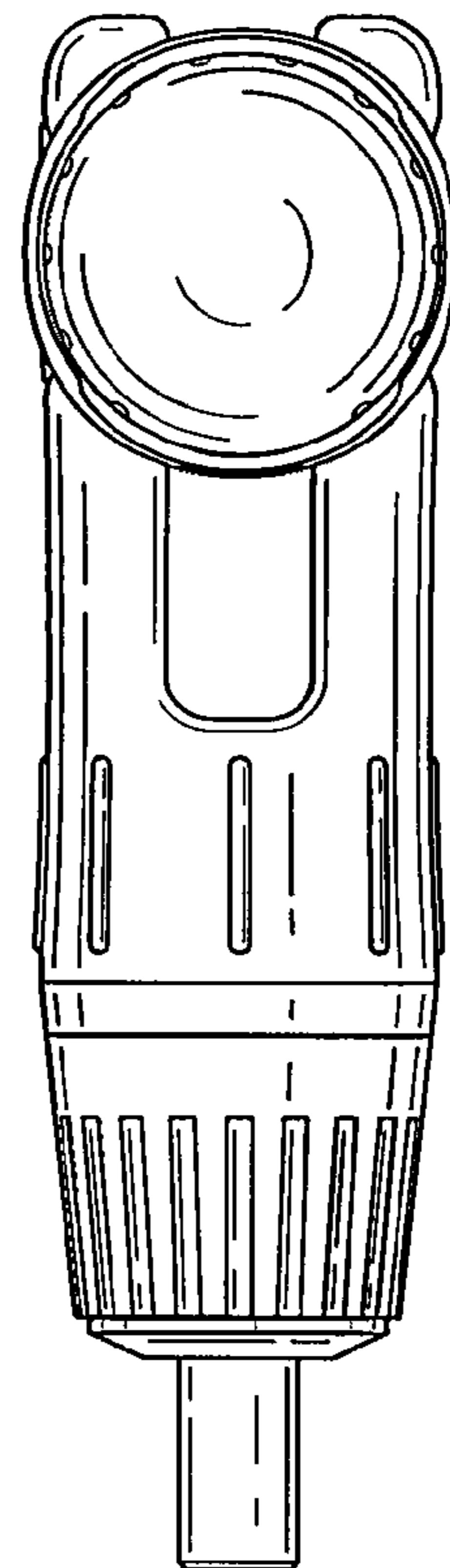


FIG. 10

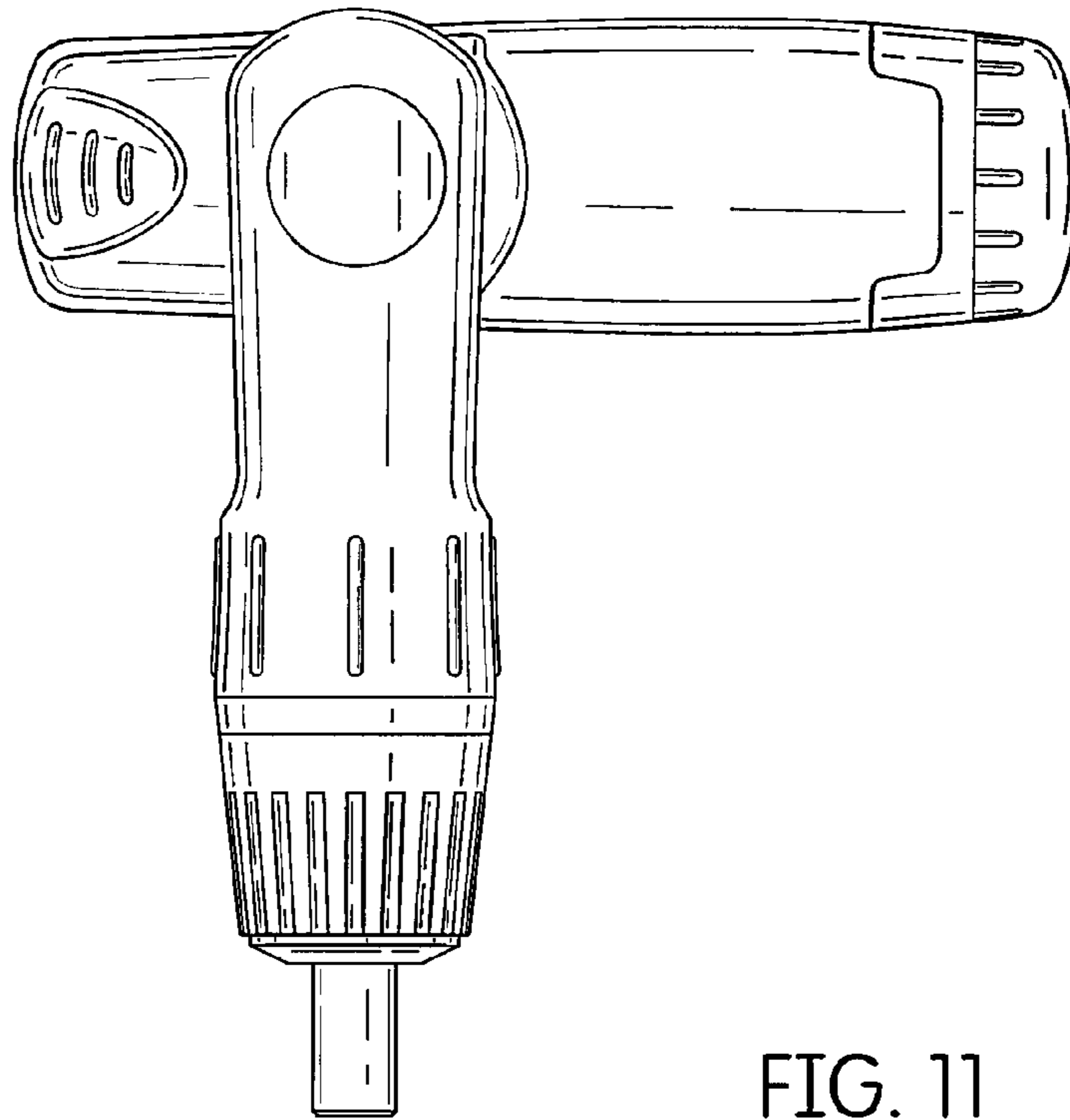


FIG. 11

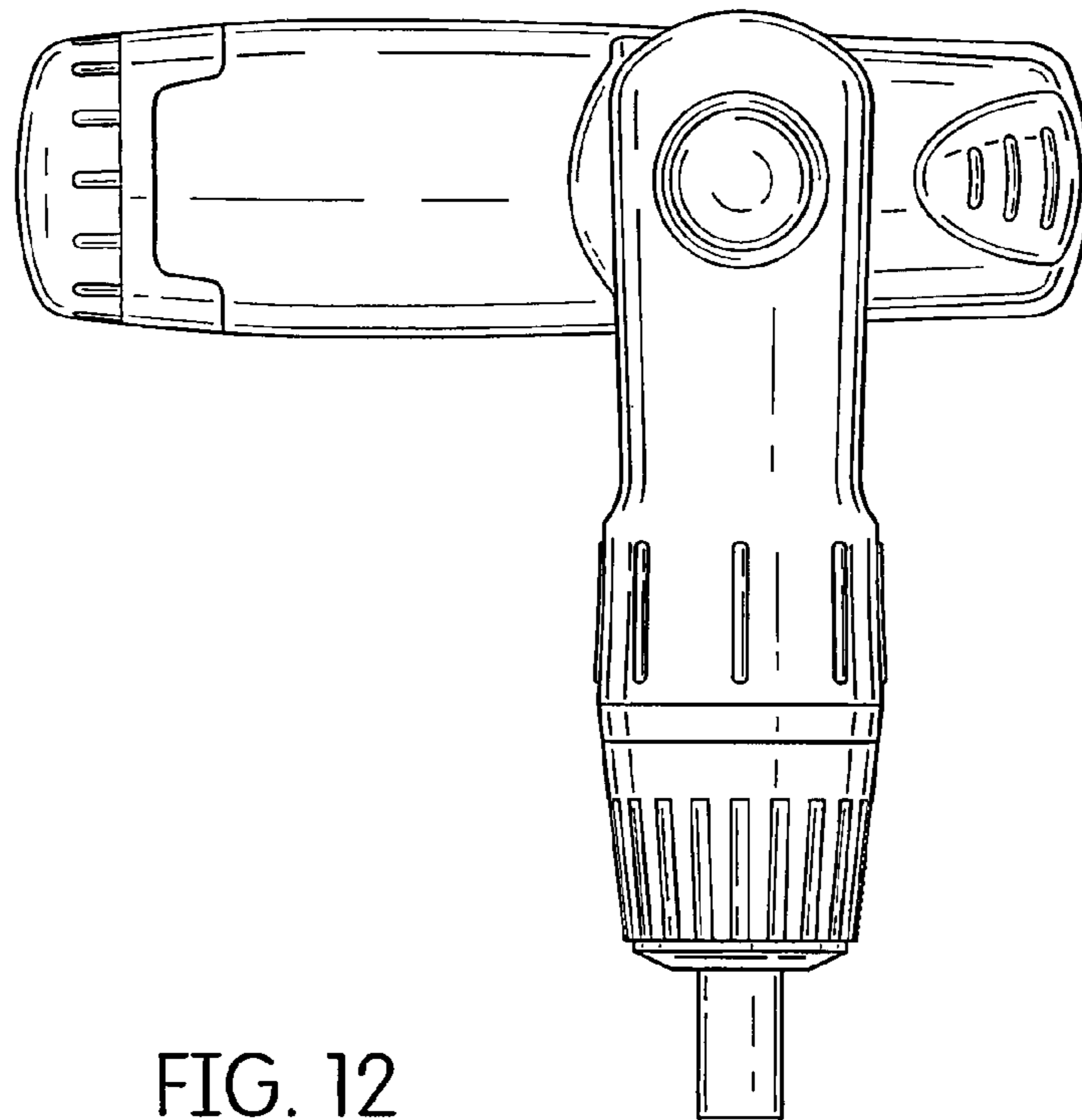


FIG. 12

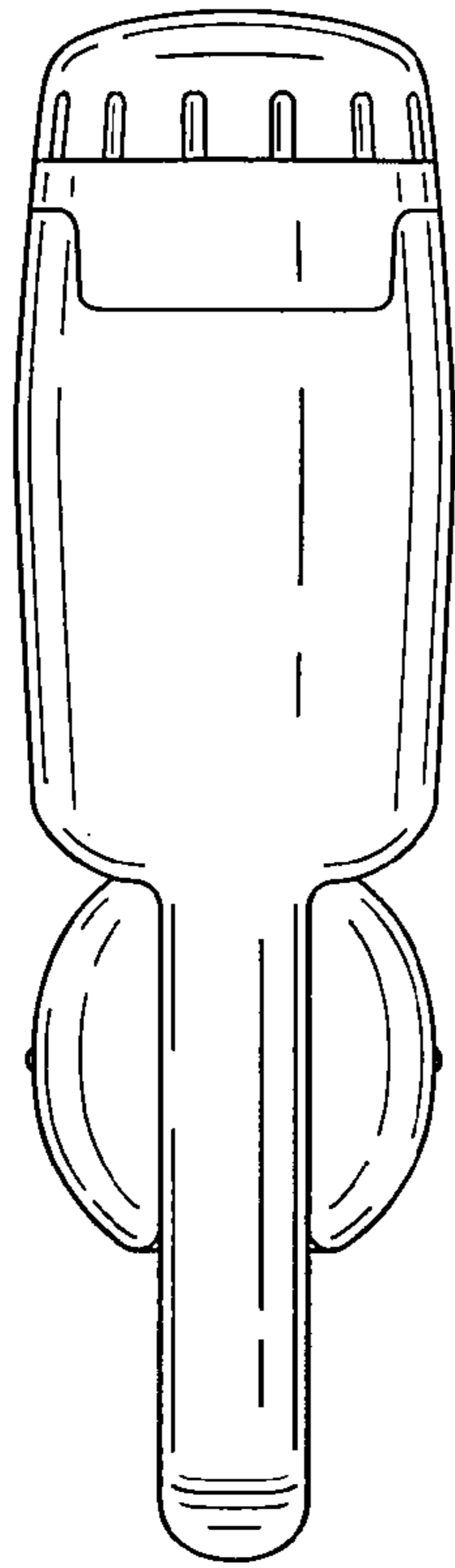


FIG. 13

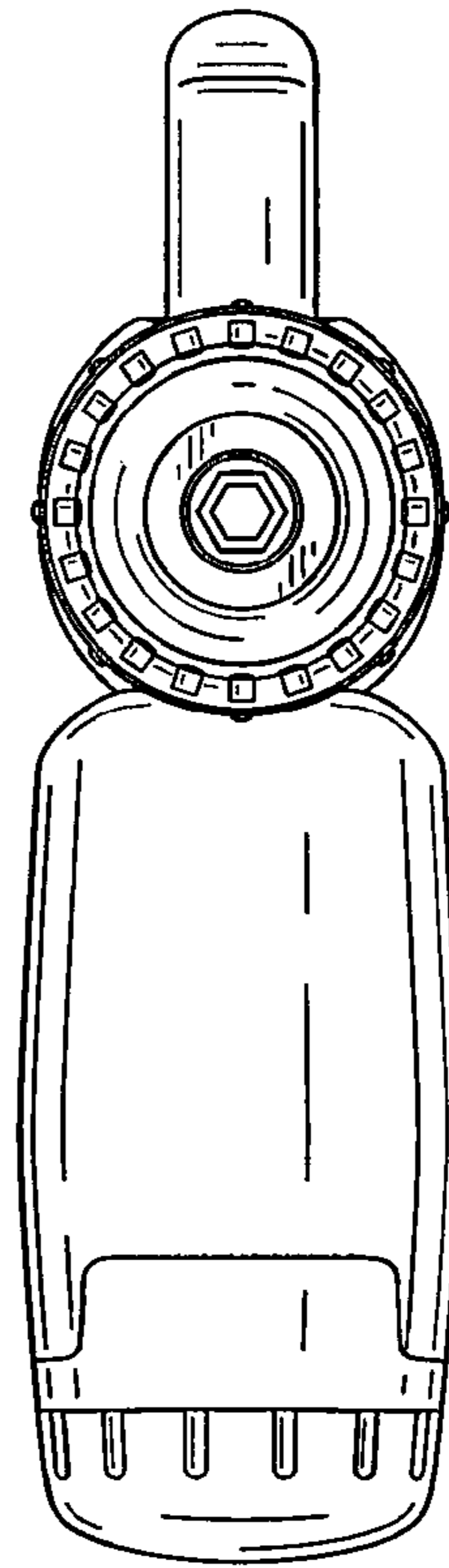


FIG. 14