



US00D688105S

(12) **United States Design Patent**
Paschke et al.

(10) **Patent No.:** **US D688,105 S**

(45) **Date of Patent:** **** Aug. 20, 2013**

(54) **CARD REMOVAL TOOL**

(75) Inventors: **Brian Dennis Paschke**, Toronto (CA);
Todd Andrew Wood, Toronto (CA);
Aaron Michael Szymanski, Mississauga (CA)

(73) Assignee: **Research In Motion Limited**, Waterloo, Ontario (CA)

(**) Term: **14 Years**

(21) Appl. No.: **29/432,189**

(22) Filed: **Sep. 14, 2012**

(51) **LOC (9) Cl.** **08-05**

(52) **U.S. Cl.**
USPC **D8/14**

(58) **Field of Classification Search**
USPC D8/14, 88, 89, 105; 81/484, 490;
439/159, 630
See application file for complete search history.

(56) **References Cited**

U.S. PATENT DOCUMENTS

1,230,724	A *	6/1917	Kluft	81/490
3,955,449	A *	5/1976	Hofmeister et al.	81/484
D290,806	S *	7/1987	Hotchkiss et al.	D8/14
D323,451	S *	1/1992	Preston	D8/98
D374,389	S *	10/1996	Lin	D8/105
D439,127	S *	3/2001	Loudon	D8/98
D470,733	S *	2/2003	Schmitt, Jr.	D8/21
6,678,945	B2 *	1/2004	Eaton et al.	29/762
8,371,866	B1 *	2/2013	Su et al.	439/159
2007/0293092	A1 *	12/2007	Seo	439/630
2009/0049885	A1 *	2/2009	Postma	72/379.2
2012/0195013	A1 *	8/2012	Trzaskos et al.	361/754
2012/0196462	A1 *	8/2012	Henry et al.	439/159
2012/0247301	A1 *	10/2012	de Jong et al.	83/870

OTHER PUBLICATIONS

Sim Card Eject Pin Key Tool for iPhone 5, iPhone 4/4S & iPhone 3GS. Downloaded May 18, 2013 from <http://www.directfix.com/product/IP-2292.html>.*

* cited by examiner

Primary Examiner — Philip S Hyder
Assistant Examiner — Roselynn Cody

(57) **CLAIM**

We claim the ornamental design for a card removal tool, as shown and described.

DESCRIPTION

FIG. 1 is a front perspective view of a card removal tool in a first configuration;
 FIG. 2 is a front elevational view of the card removal tool of FIG. 1;
 FIG. 3 is a back elevational view thereof;
 FIG. 4 is a left elevational view thereof;
 FIG. 5 is a right elevational view thereof;
 FIG. 6 is a top plan view thereof;
 FIG. 7 is a bottom plan view thereof;
 FIG. 8 is a front perspective view of the card removal tool in a second configuration;
 FIG. 9 is a front elevational view of the card removal tool of FIG. 8;
 FIG. 10 is a back elevational view thereof;
 FIG. 11 is a left elevational view thereof;
 FIG. 12 is a right elevational view thereof;
 FIG. 13 is a top plan view thereof;
 FIG. 14 is a bottom plan view thereof;
 FIG. 15 is a front perspective view of the card removal tool in a third configuration;
 FIG. 16 is a front elevational view of the card removal tool of FIG. 15;
 FIG. 17 is a back elevational view thereof;
 FIG. 18 is a right elevational view thereof;
 FIG. 19 is a left elevational view thereof;
 FIG. 20 is a top plan view thereof; and,
 FIG. 21 is a bottom plan view thereof.

1 Claim, 12 Drawing Sheets

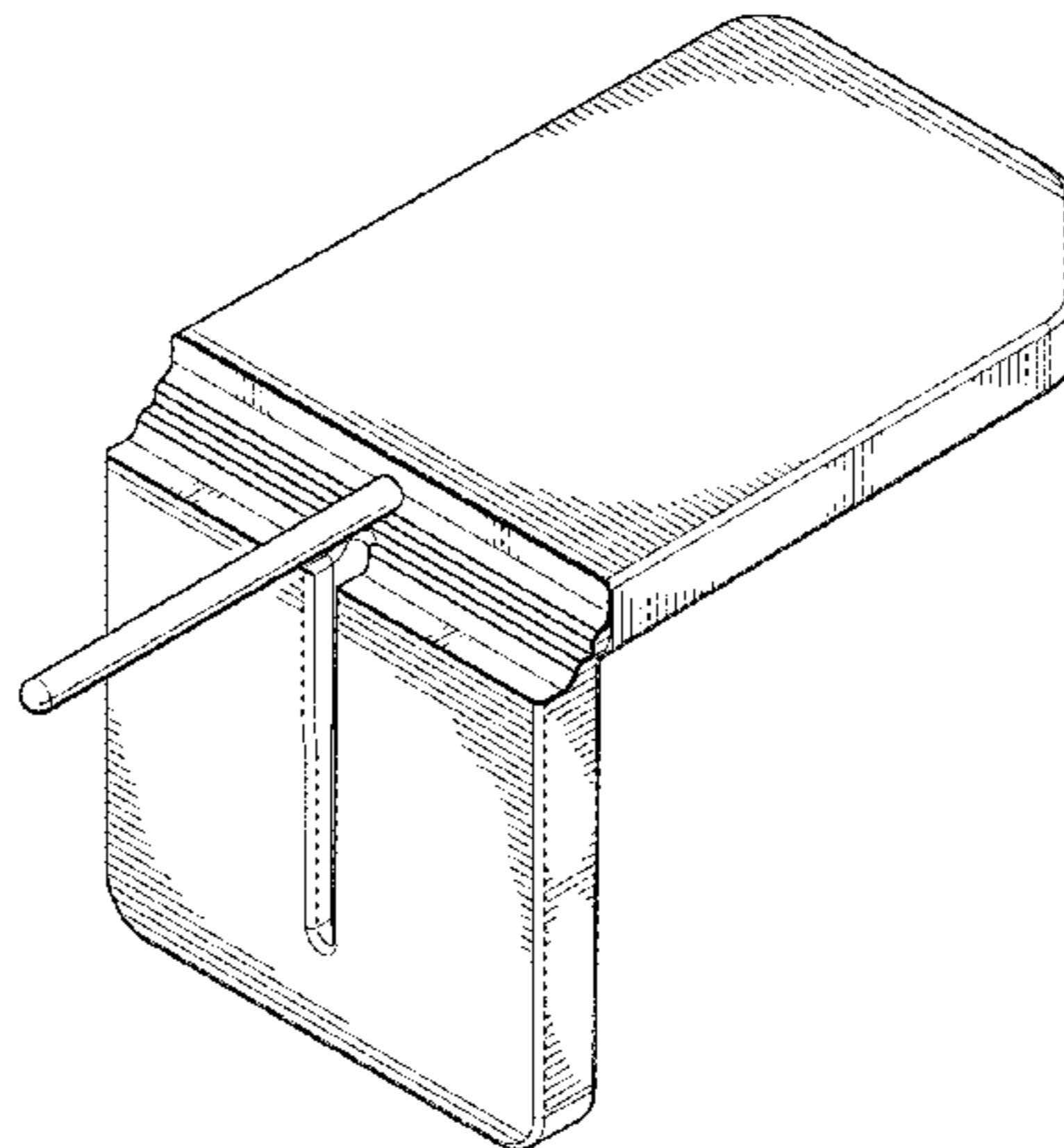


FIG. 1

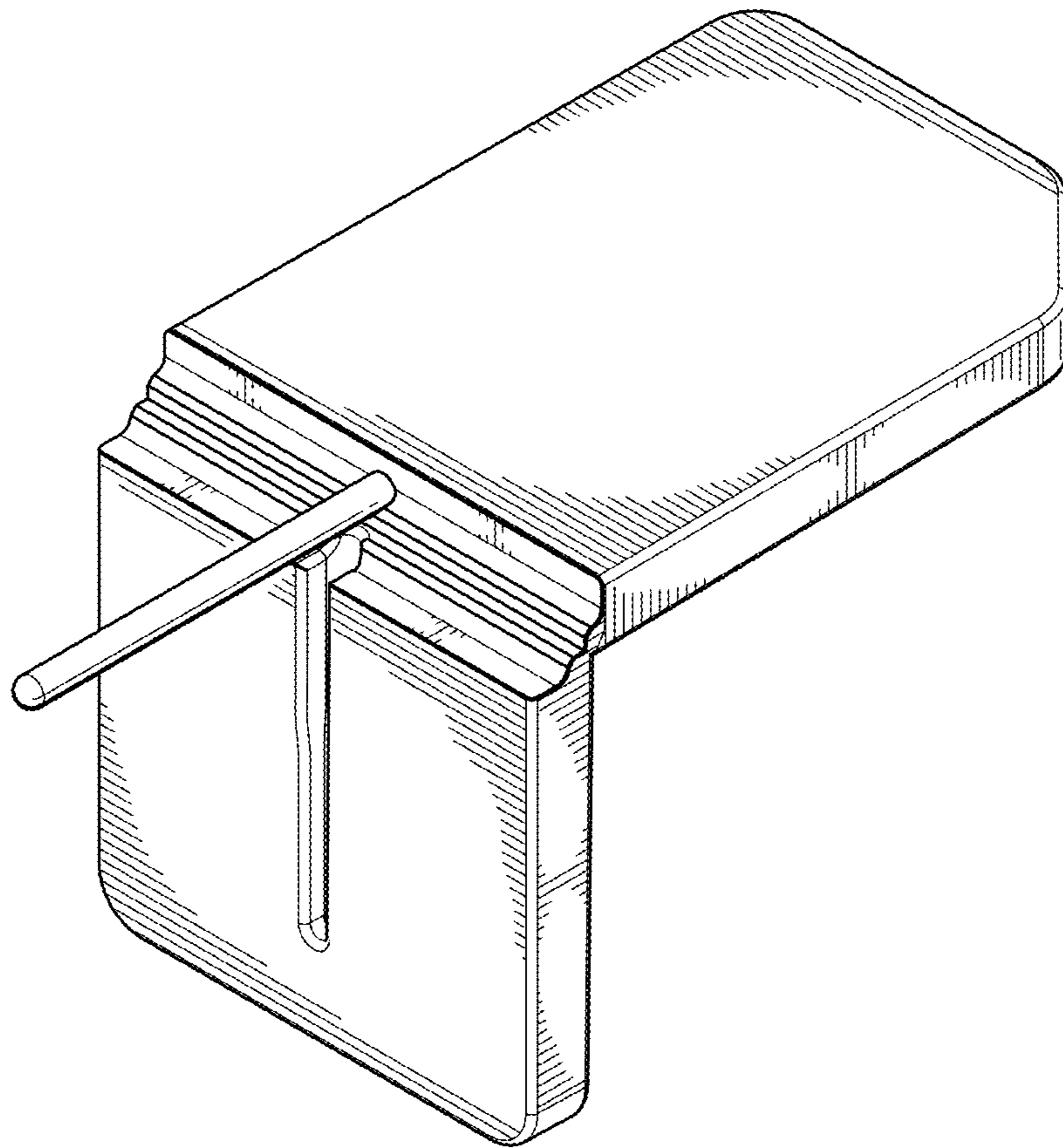


FIG. 2

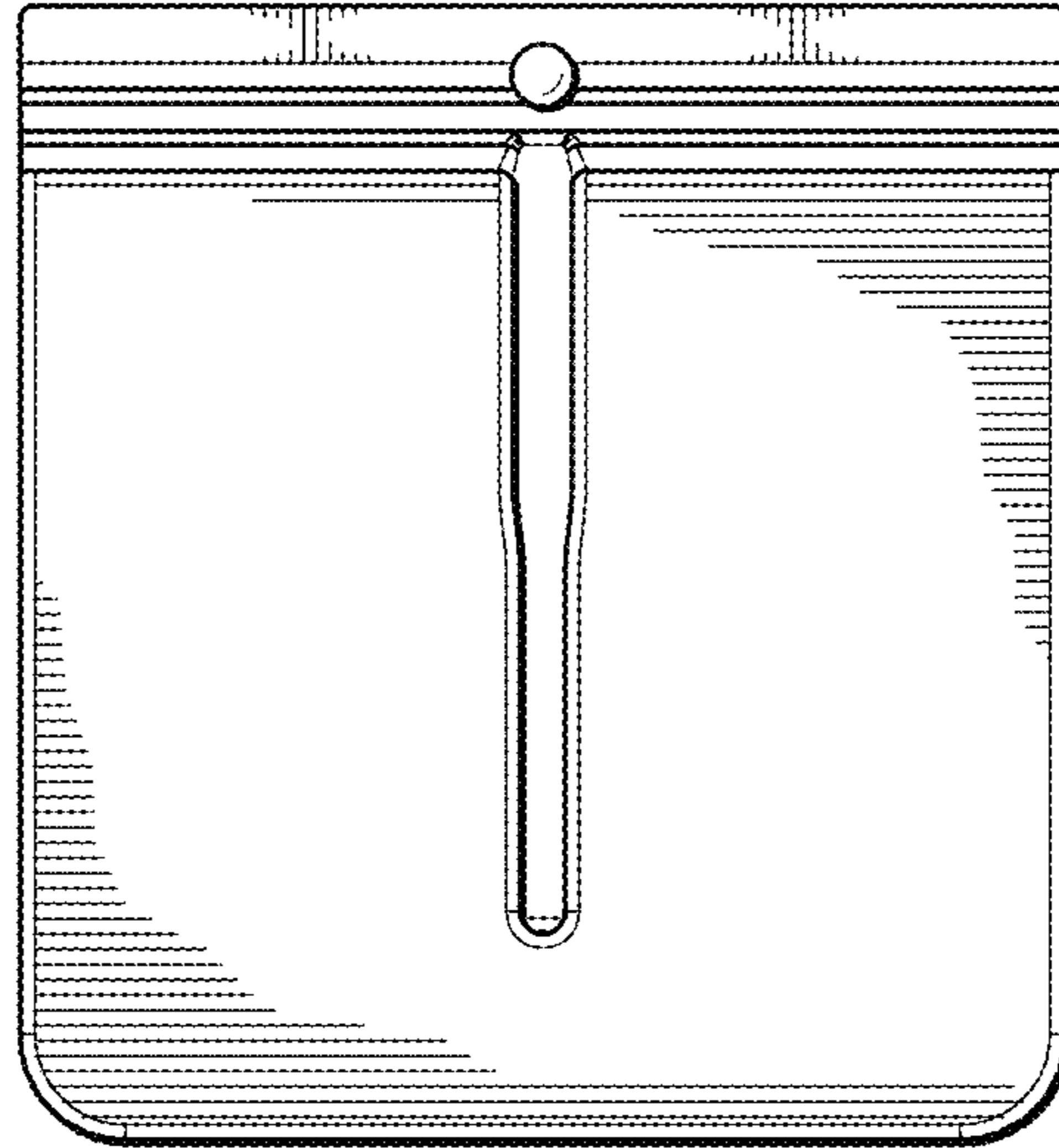


FIG. 3

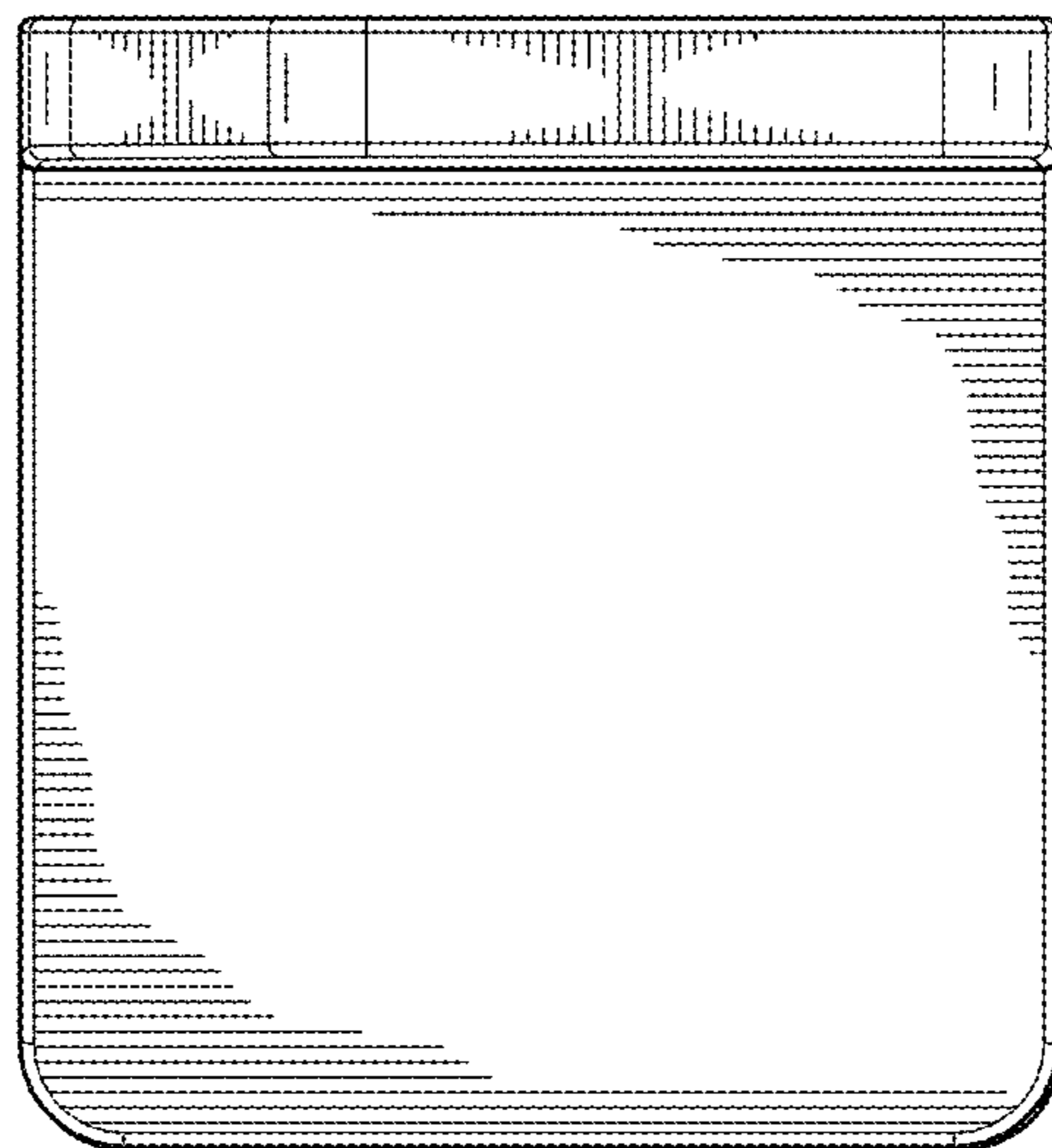


FIG. 4

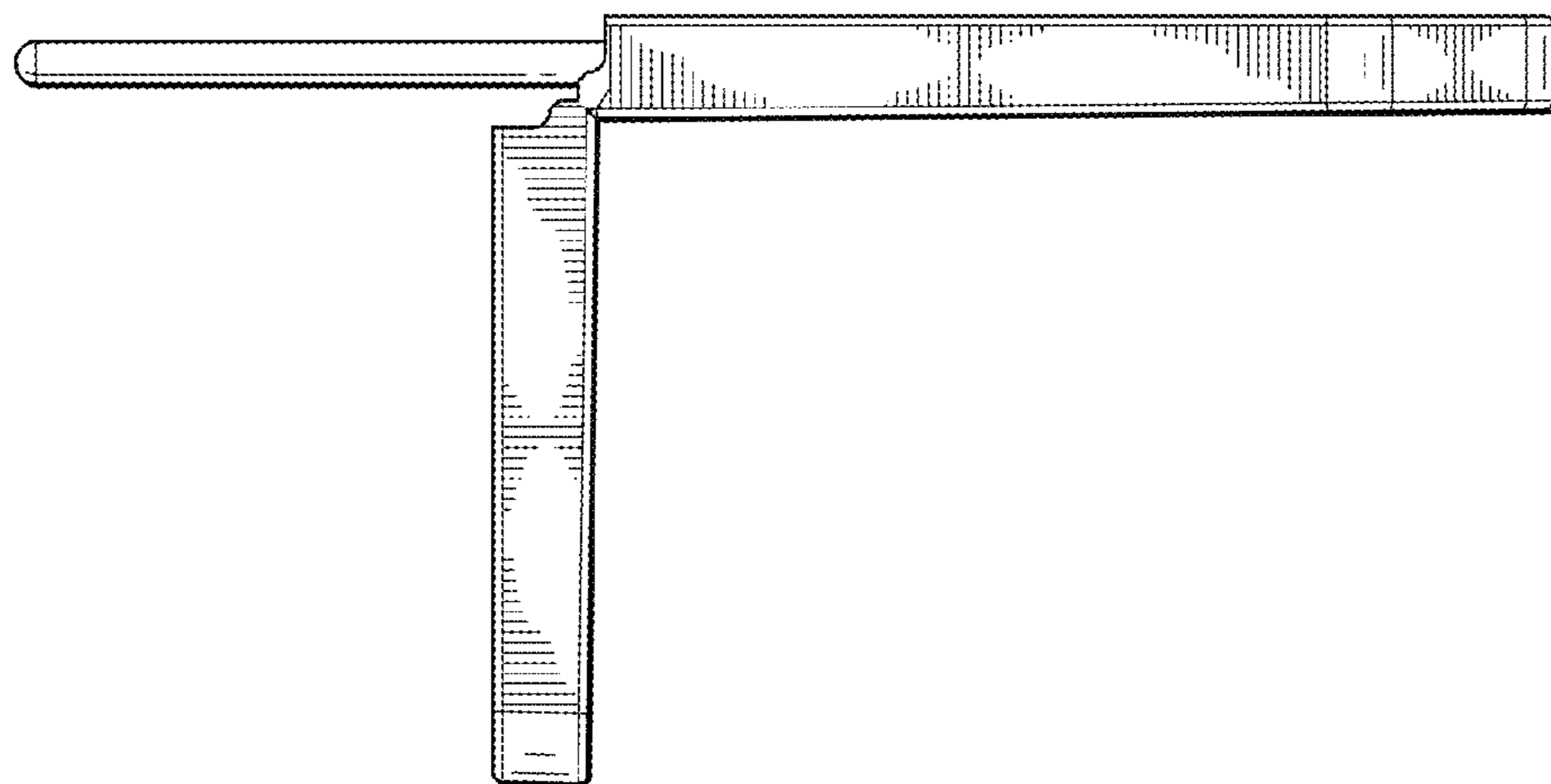


FIG. 5

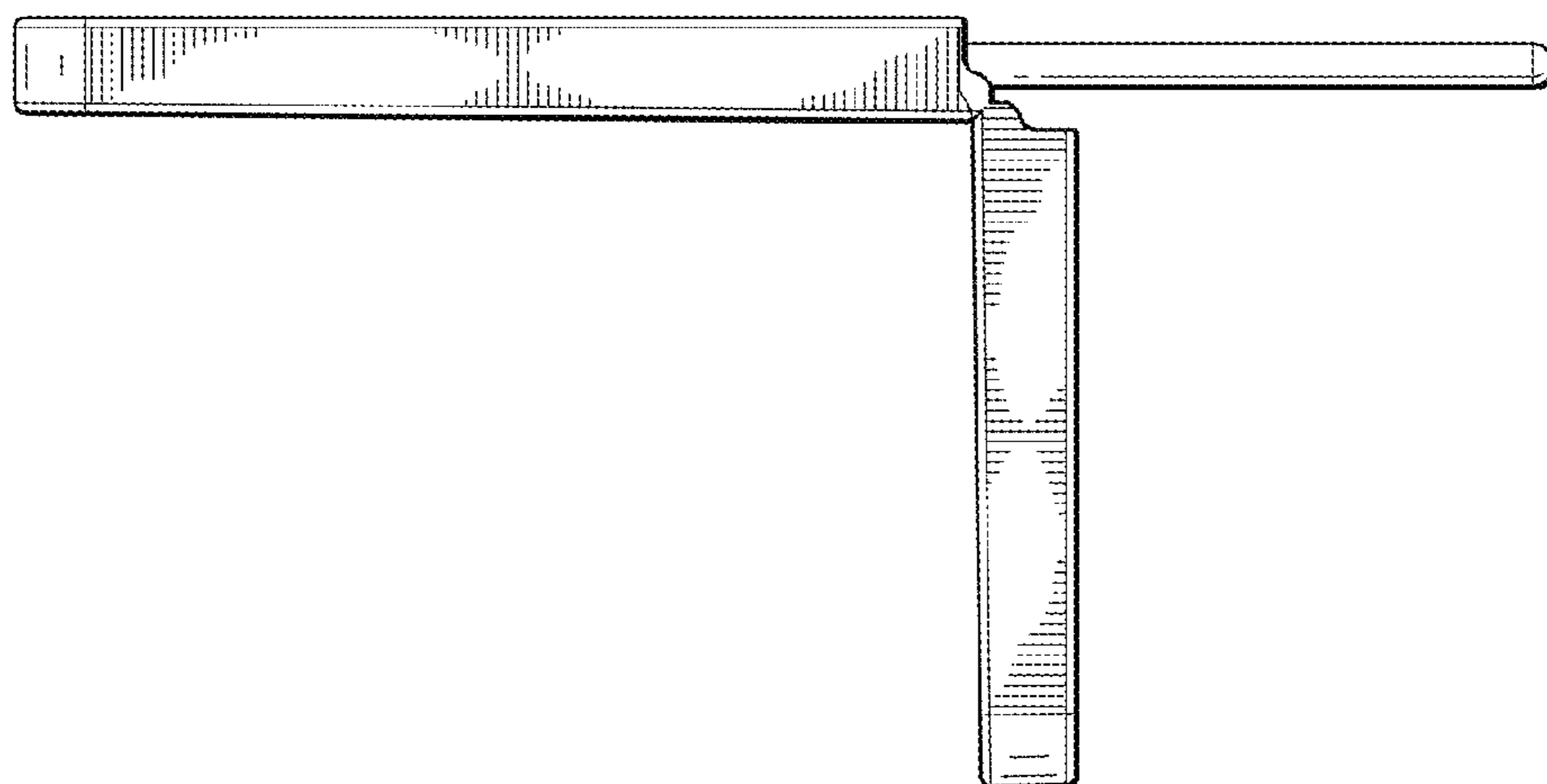


FIG. 6

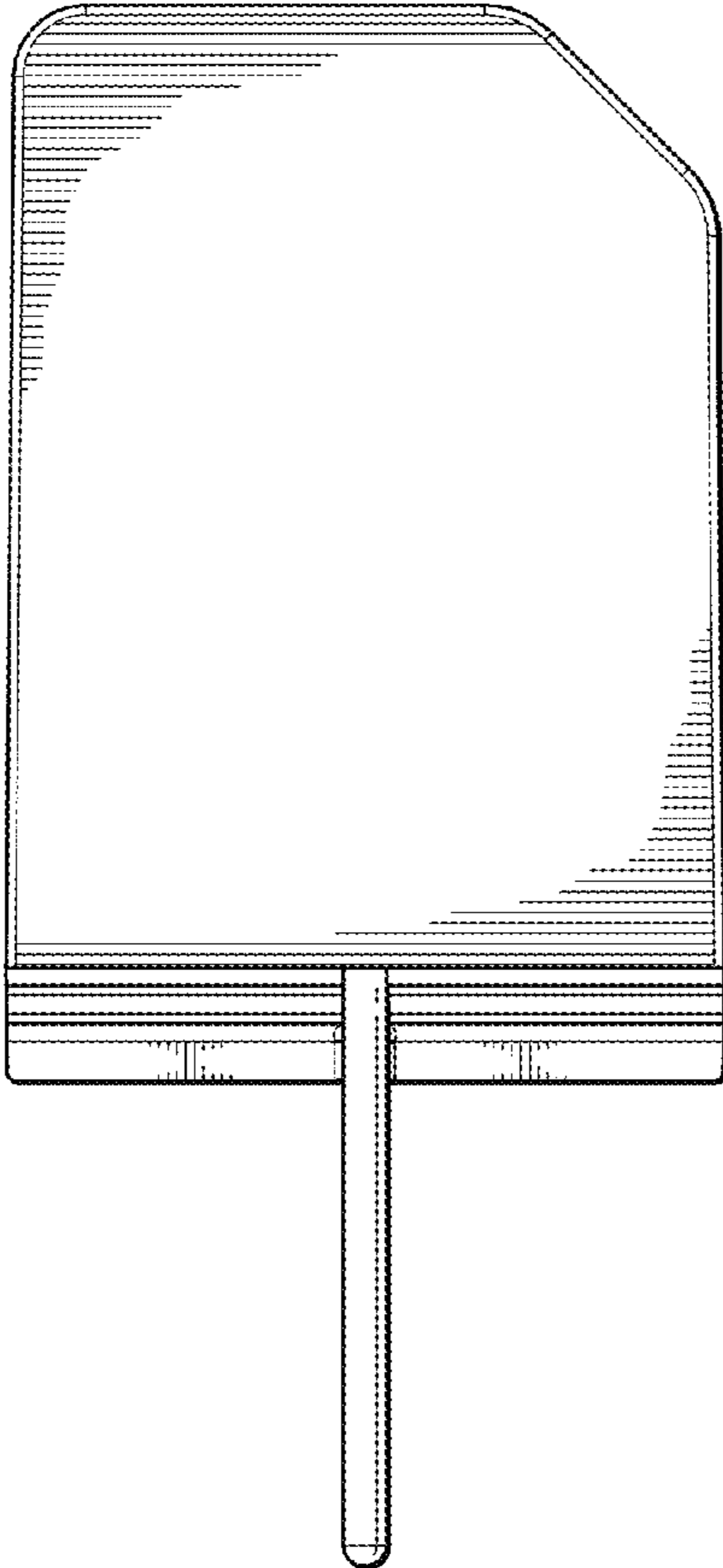
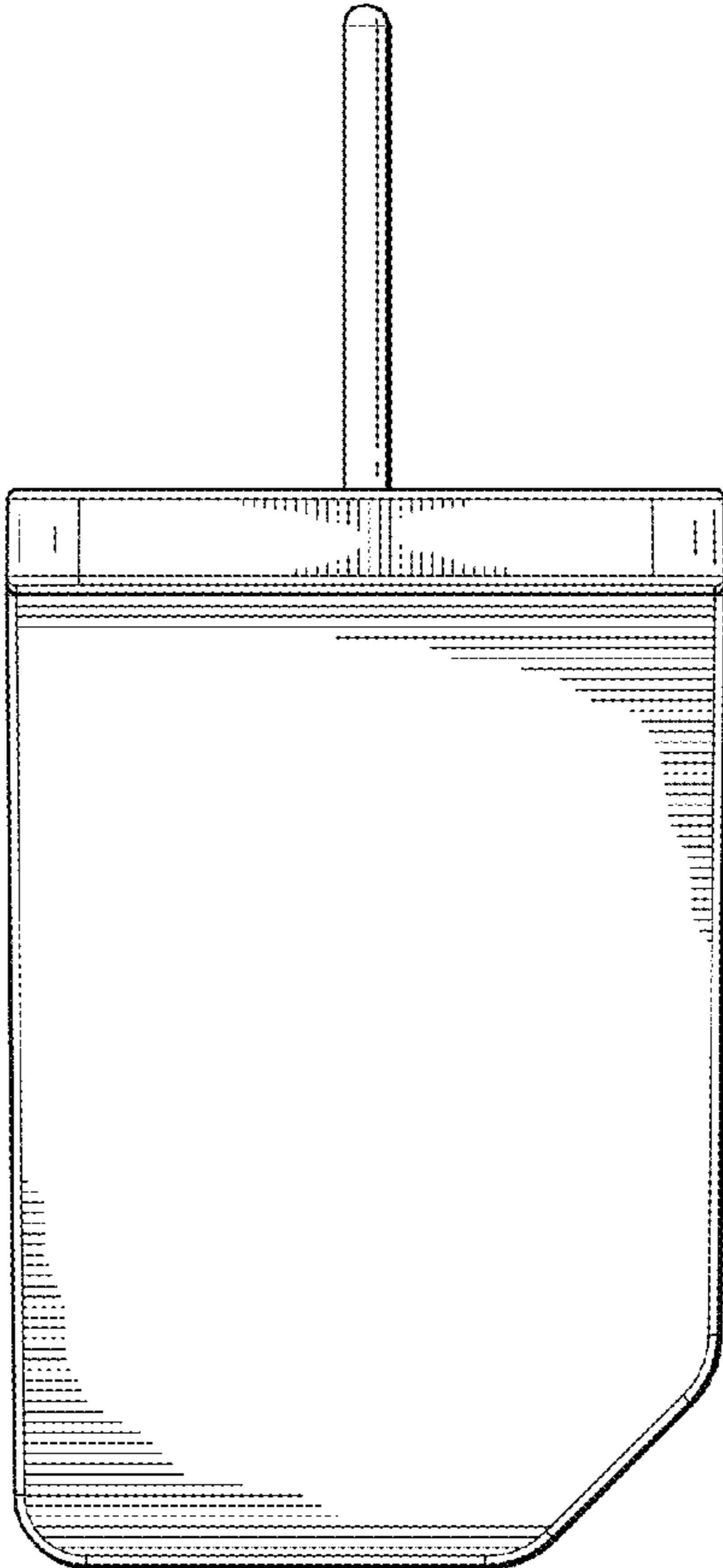


FIG. 7



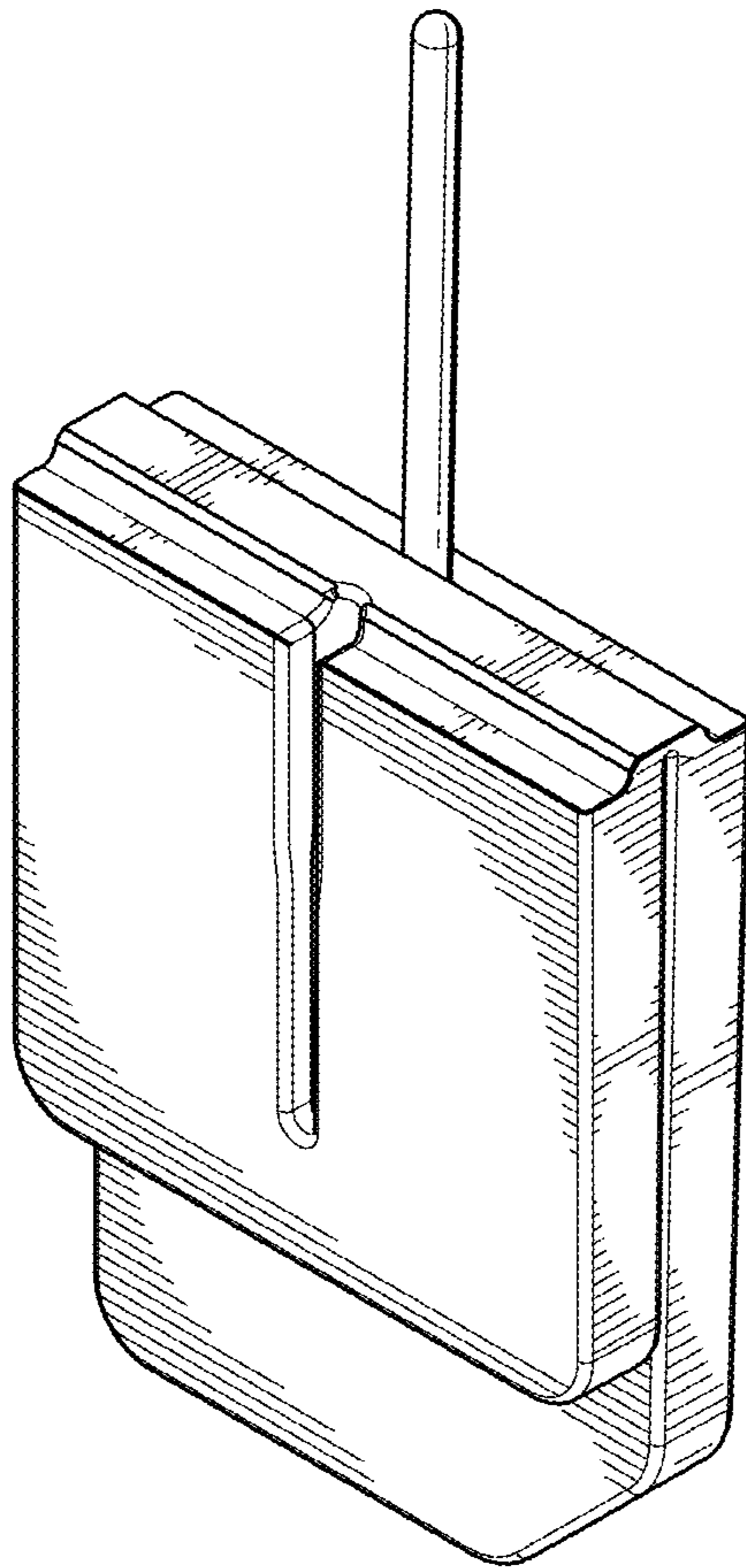


FIG. 8

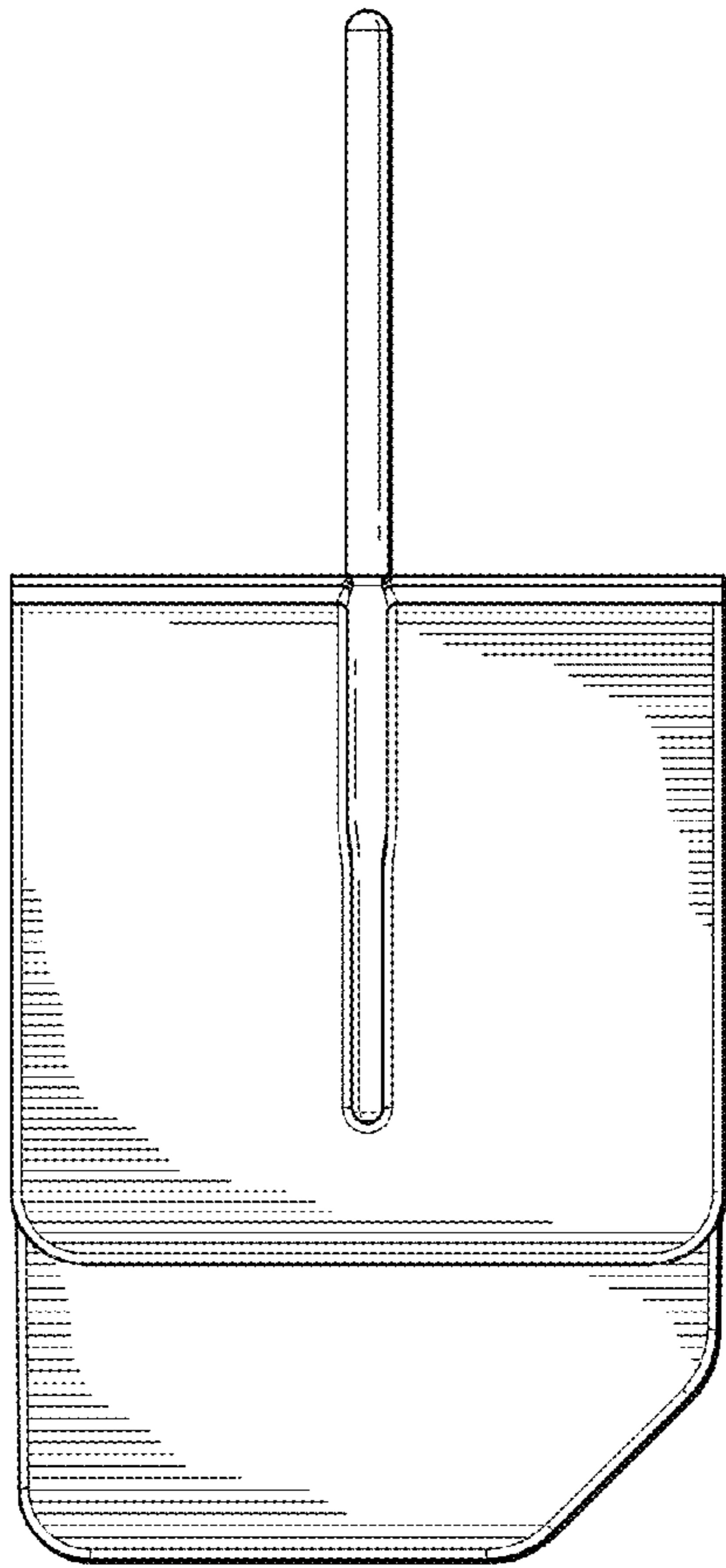


FIG. 9

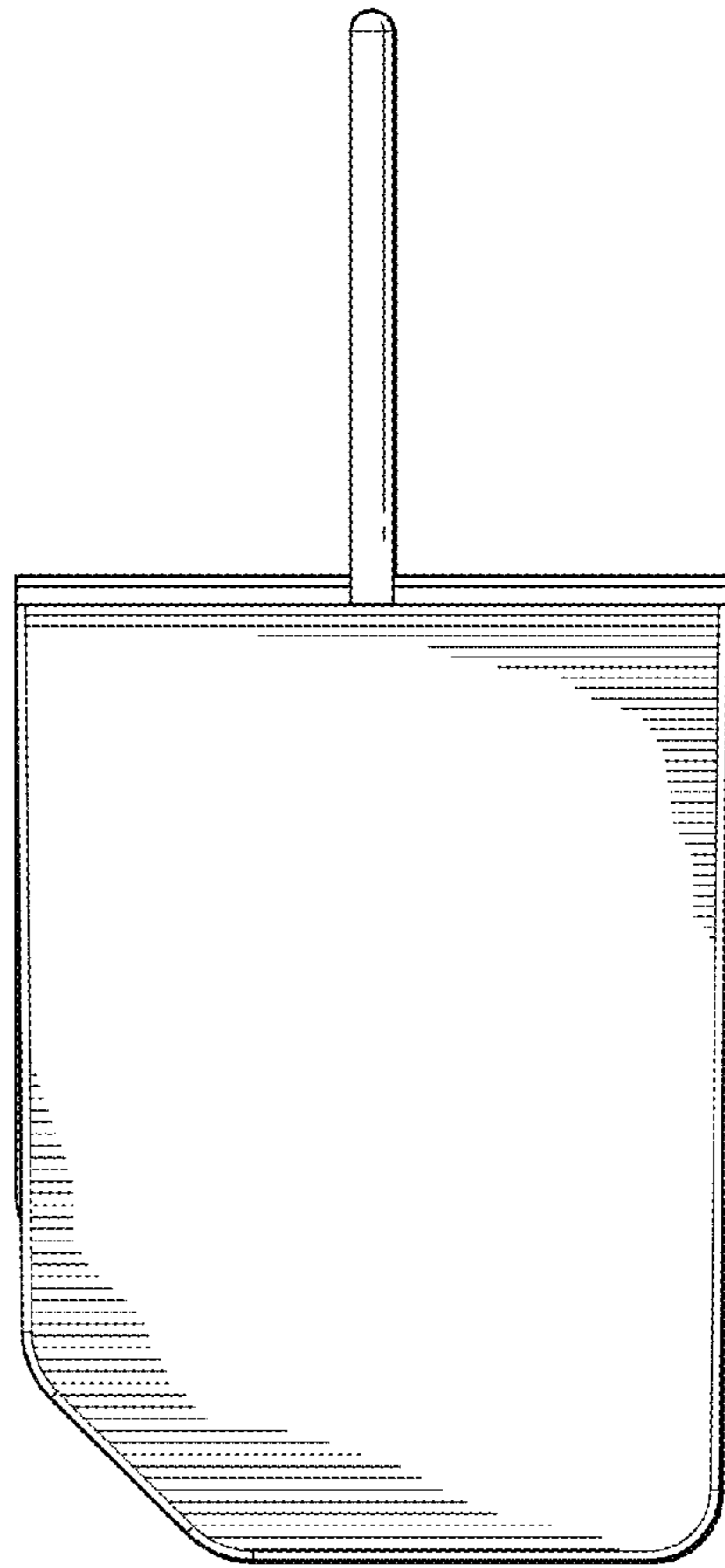


FIG. 10

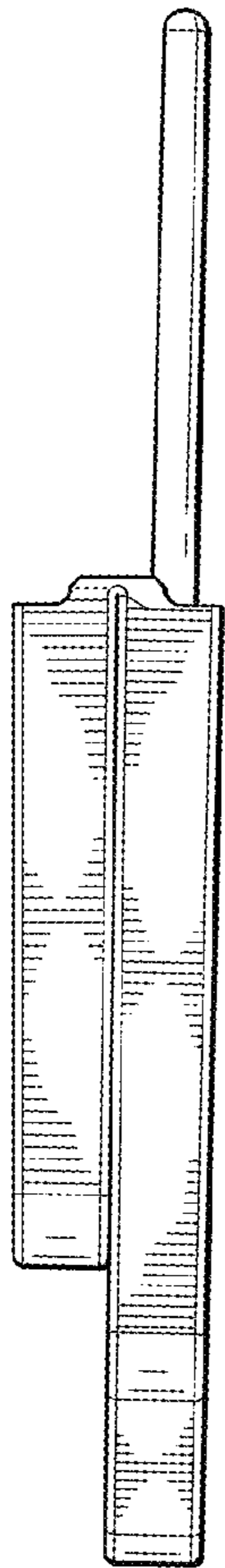


FIG. 11

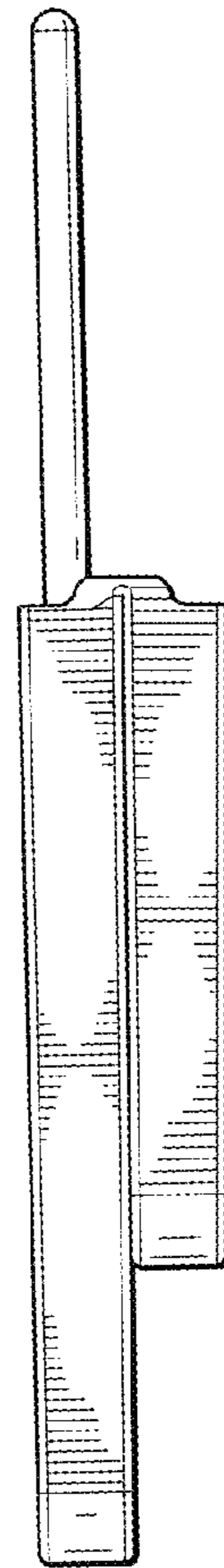


FIG. 12

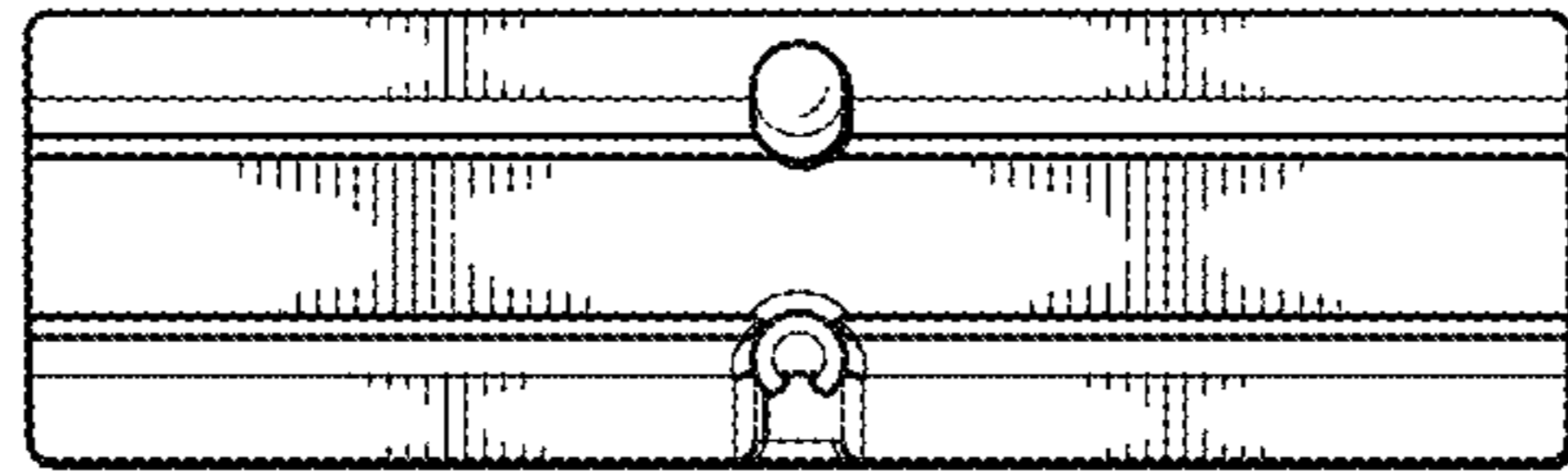


FIG. 13

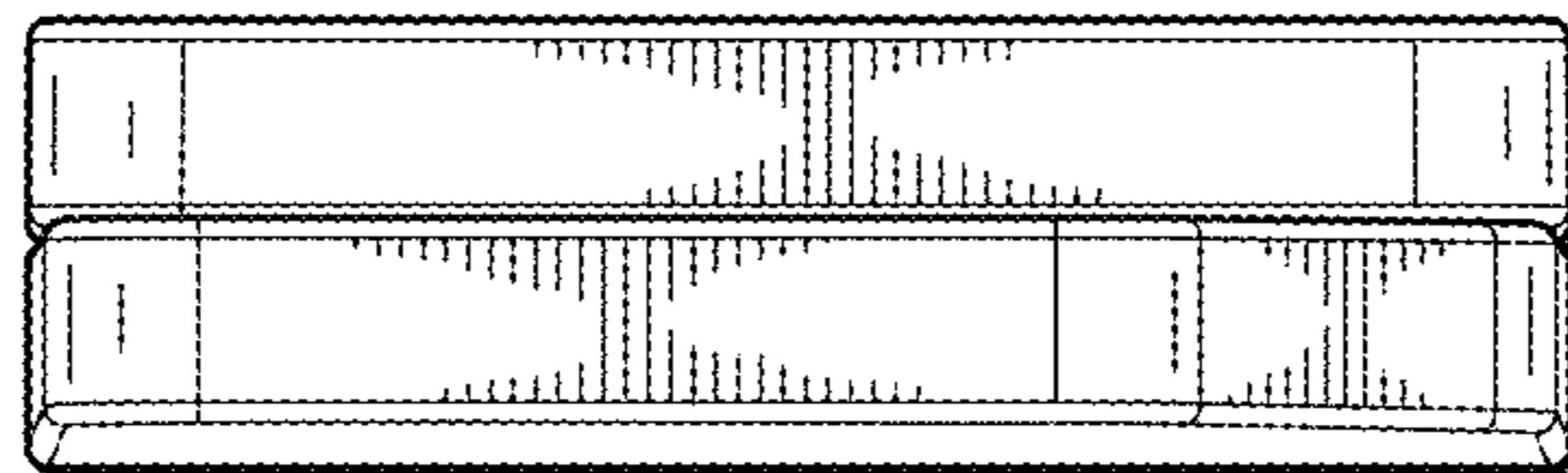


FIG. 14

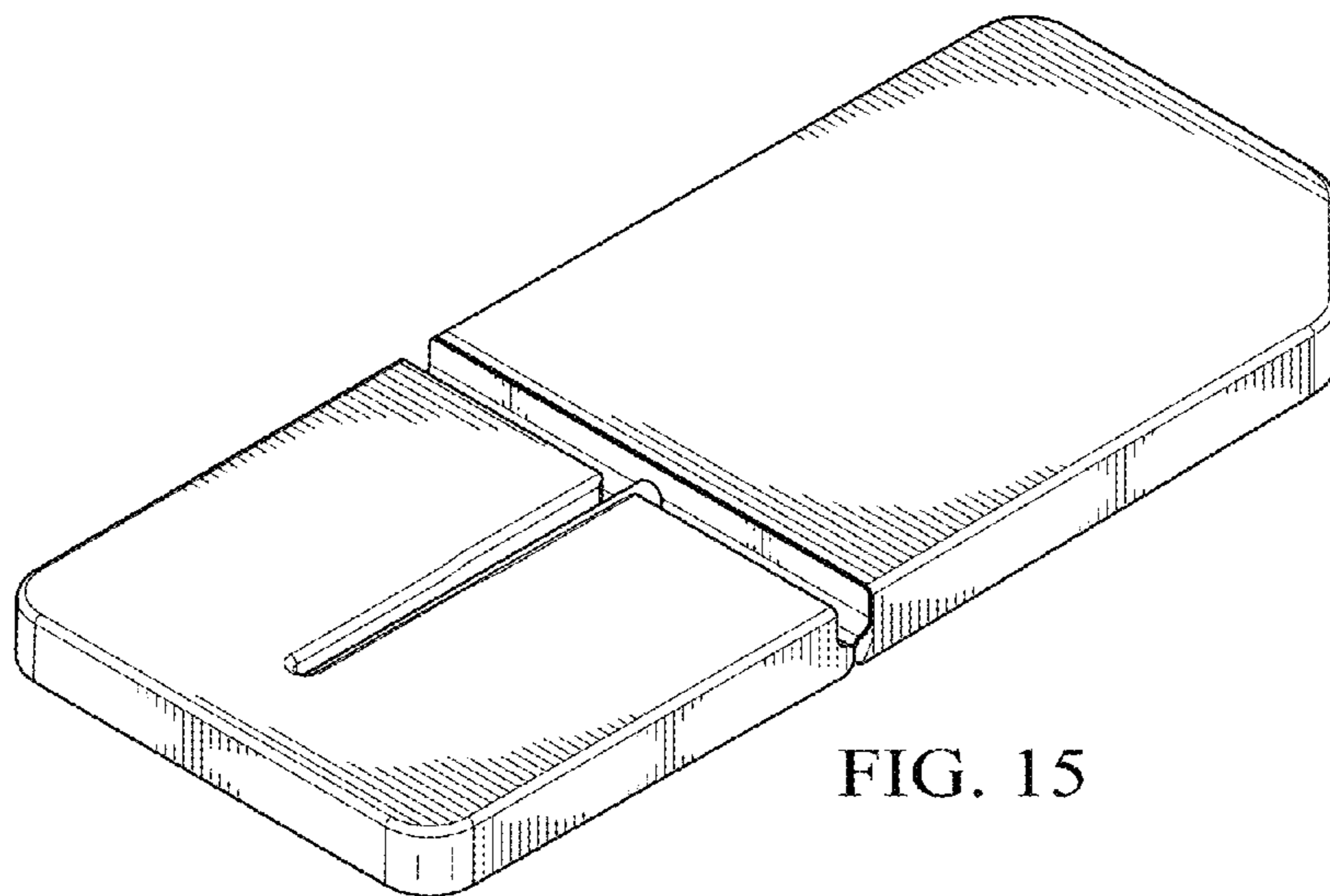


FIG. 15



FIG. 16

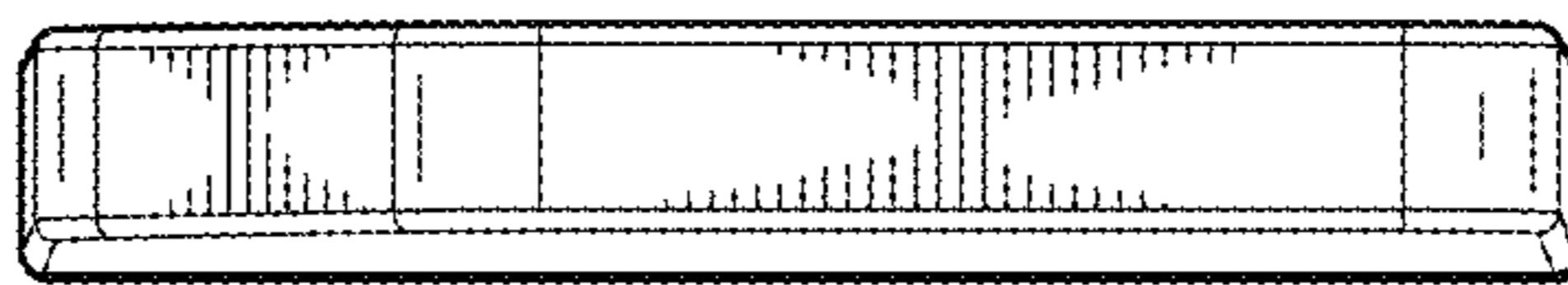


FIG. 17

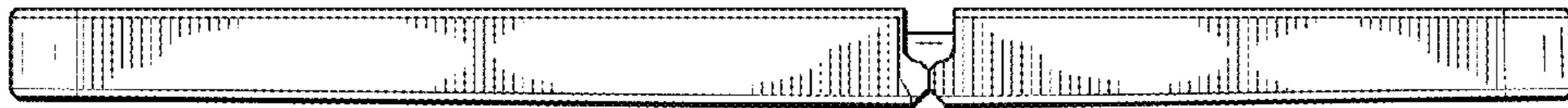


FIG. 18

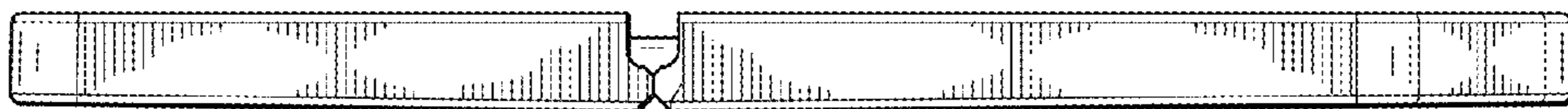


FIG. 19

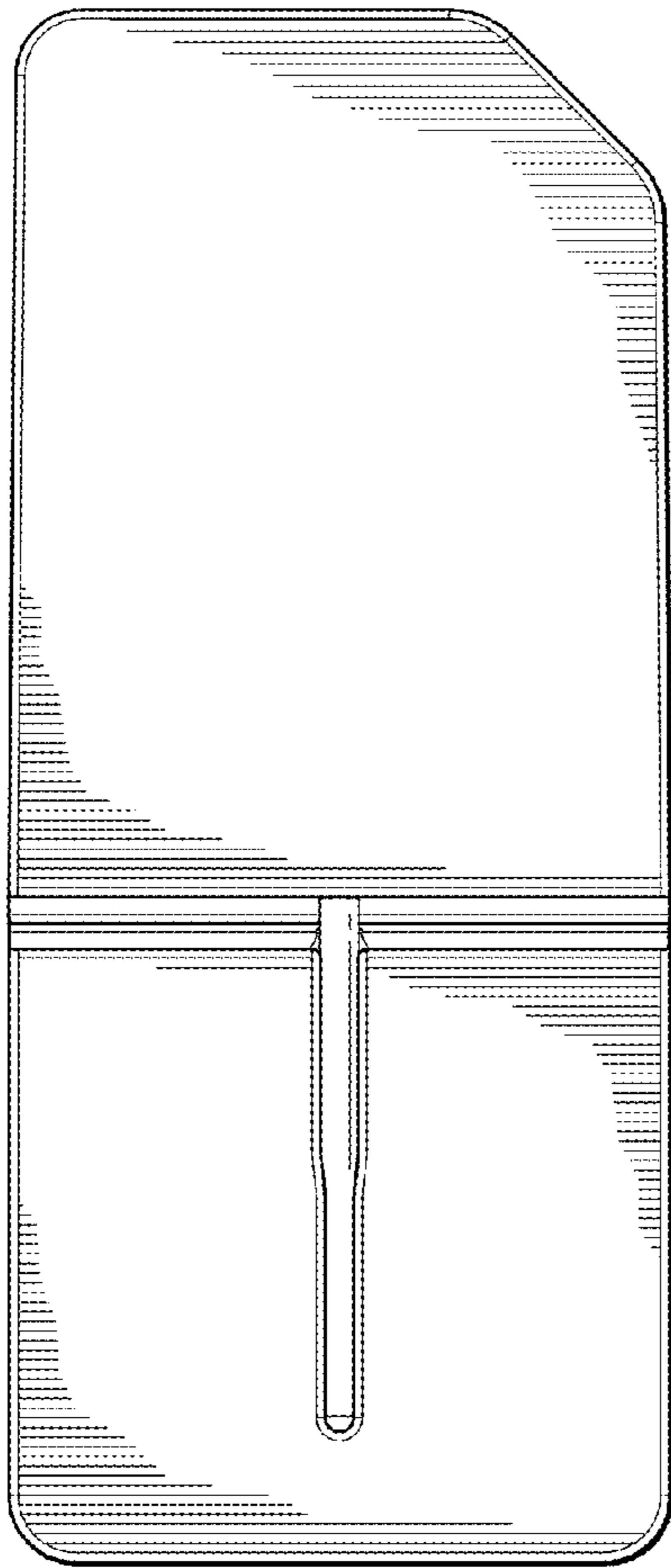


FIG. 20

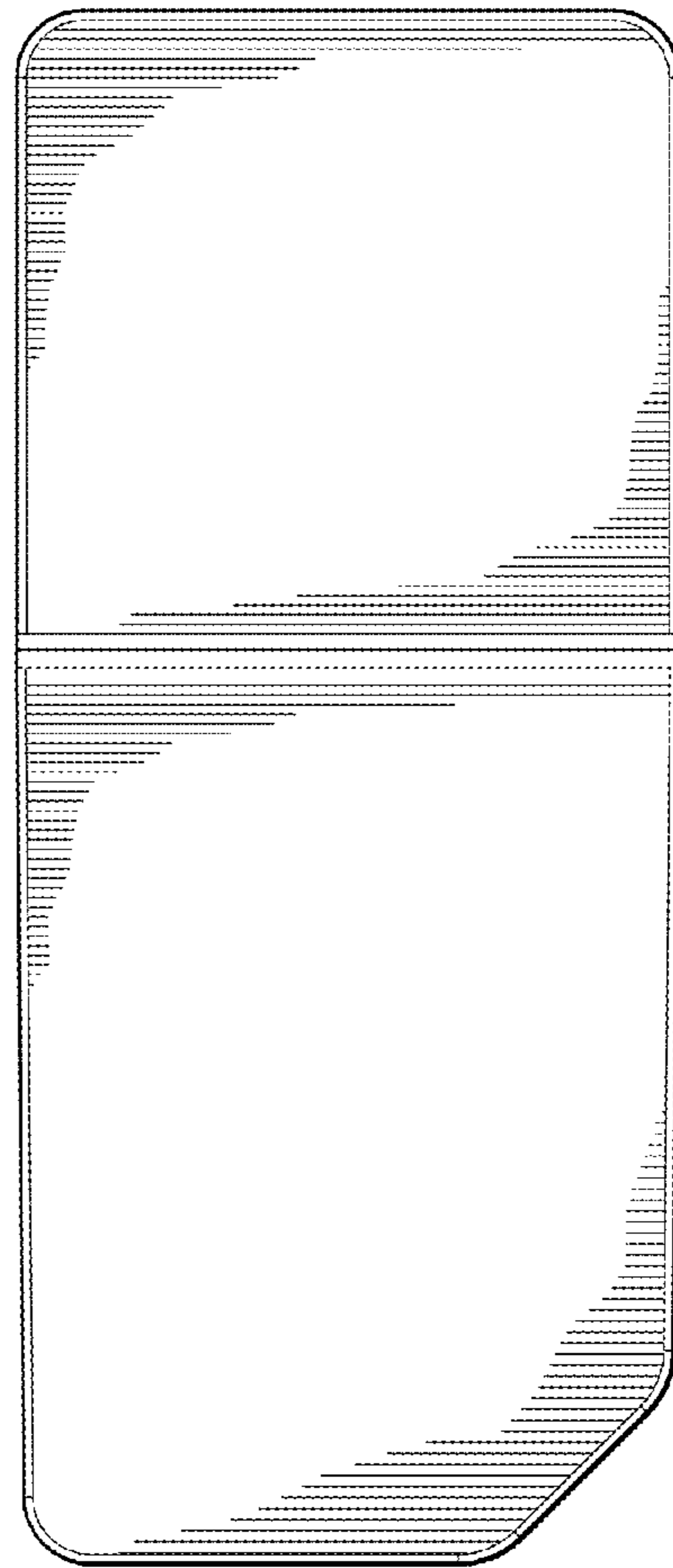


FIG. 21