



US00D688101S

(12) **United States Design Patent**
Angel

(10) **Patent No.:** **US D688,101 S**

(45) **Date of Patent:** **** *Aug. 20, 2013**

(54) **BEVERAGE BUCKET SUPPORT**

(76) Inventor: **Arturo Angel**, Weston, FL (US)

(*) Notice: This patent is subject to a terminal disclaimer.

(**) Term: **14 Years**

(21) Appl. No.: **29/405,775**

(22) Filed: **Nov. 7, 2011**

(51) **LOC (9) Cl.** **07-01**

(52) **U.S. Cl.**
USPC **D7/604**; D7/619.2; D7/702

(58) **Field of Classification Search**
USPC D7/603–608, 619.1–625; D11/149,
D11/150, 157, 160; D6/305, 316, 317, 329,
D6/400, 403–405; 211/41.1, 41.2, 41.4,
211/181.1; 220/485–487
See application file for complete search history.

(56) **References Cited**

U.S. PATENT DOCUMENTS

33,288	A	10/1900	Libenow	
D189,864	S	3/1961	Bloomfield	
D213,406	S	* 2/1969	Davis	D6/453
D345,764	S	4/1994	Duncan et al.	
D426,725	S	6/2000	Baharouzi	
D432,811	S	* 10/2000	Kulkey	D6/404

D444,005	S	6/2001	Walters-Dowding et al.	
D445,356	S	* 7/2001	Glaubitz	D11/128
D445,720	S	* 7/2001	Glaubitz	D11/128
D447,441	S	* 9/2001	Veach	D11/160
D490,747	S	* 6/2004	Banman et al.	D11/160
D517,868	S	3/2006	Hong	
D543,792	S	6/2007	Czerwin	

* cited by examiner

Primary Examiner — Terry Wallace

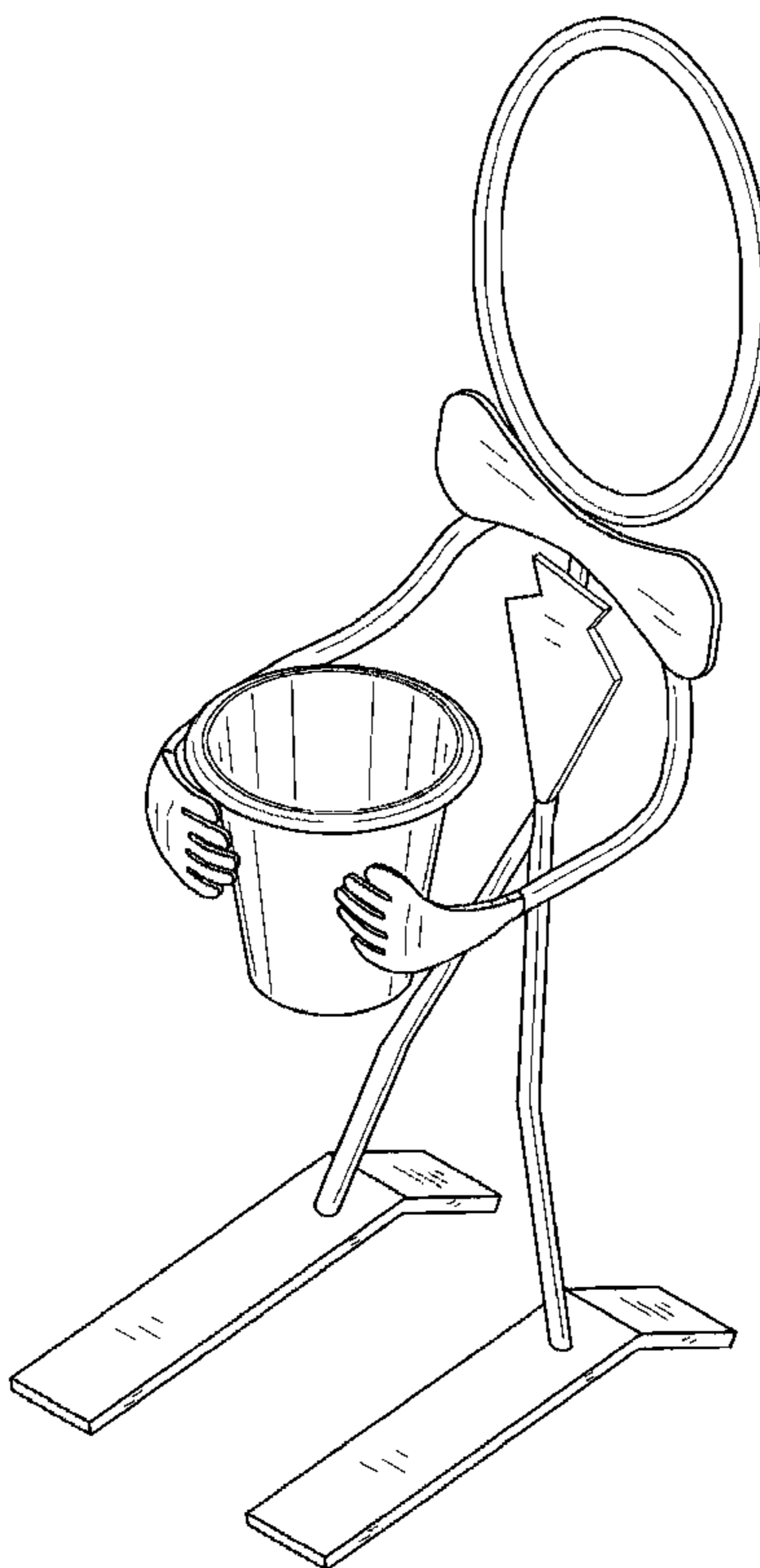
(57) **CLAIM**

The ornamental design for a beverage bucket support, as shown and described.

DESCRIPTION

FIG. 1 is a front elevation view of a beverage bucket support showing my new design;
FIG. 2 is a rear elevation view of the beverage bucket support;
FIG. 3 is a right side elevation view of the beverage bucket support;
FIG. 4 is a left side elevation view of the beverage bucket support; and
FIG. 5 is a top plan view of the beverage bucket support;
FIG. 6 is a bottom plan view of the beverage bucket support; and,
FIG. 7 is a front perspective view of the beverage bucket support.

1 Claim, 6 Drawing Sheets



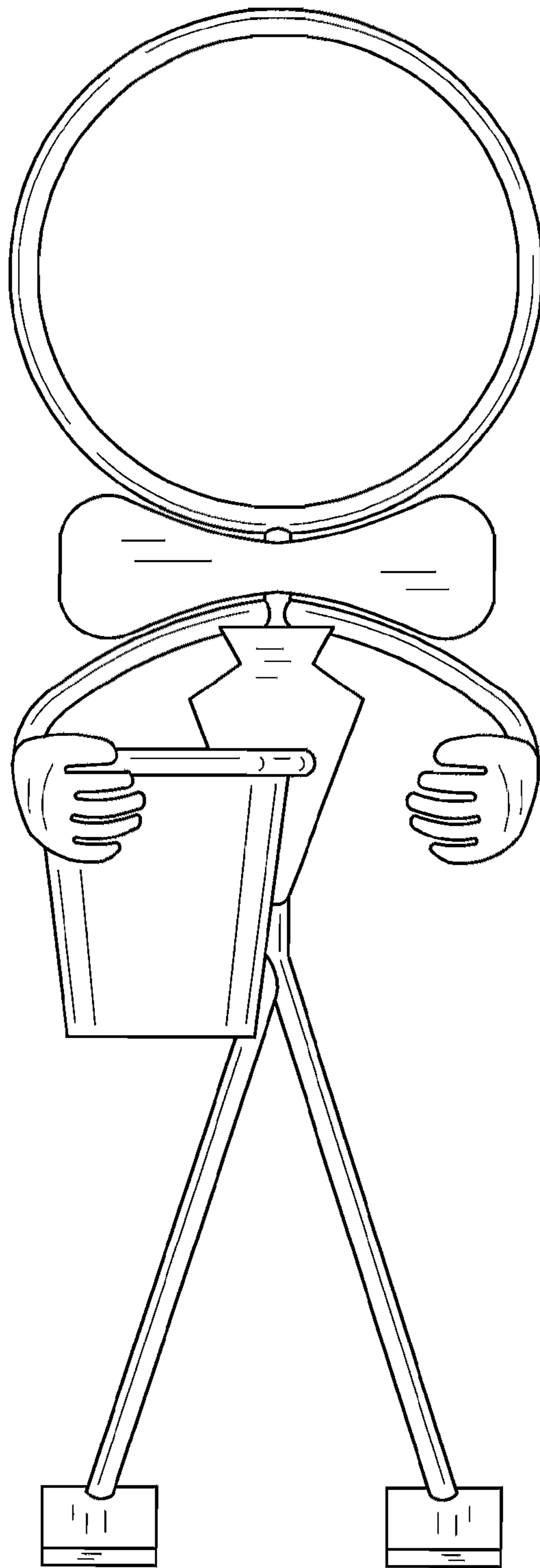


FIG. 1

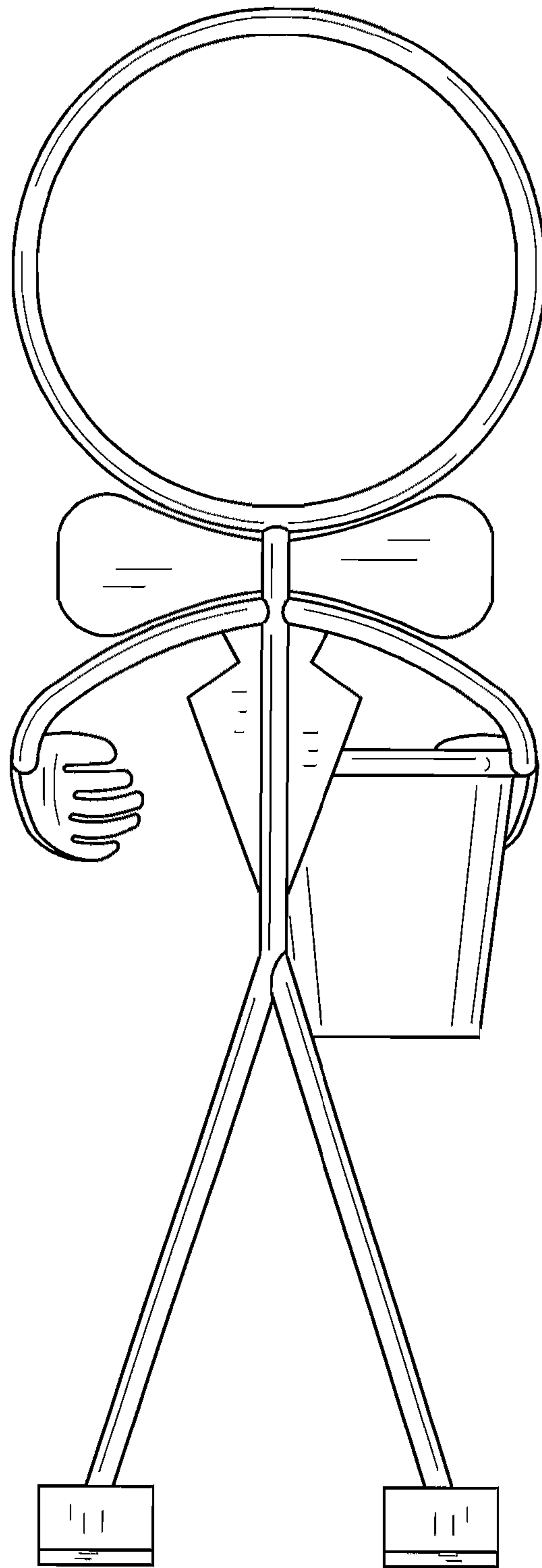


FIG. 2

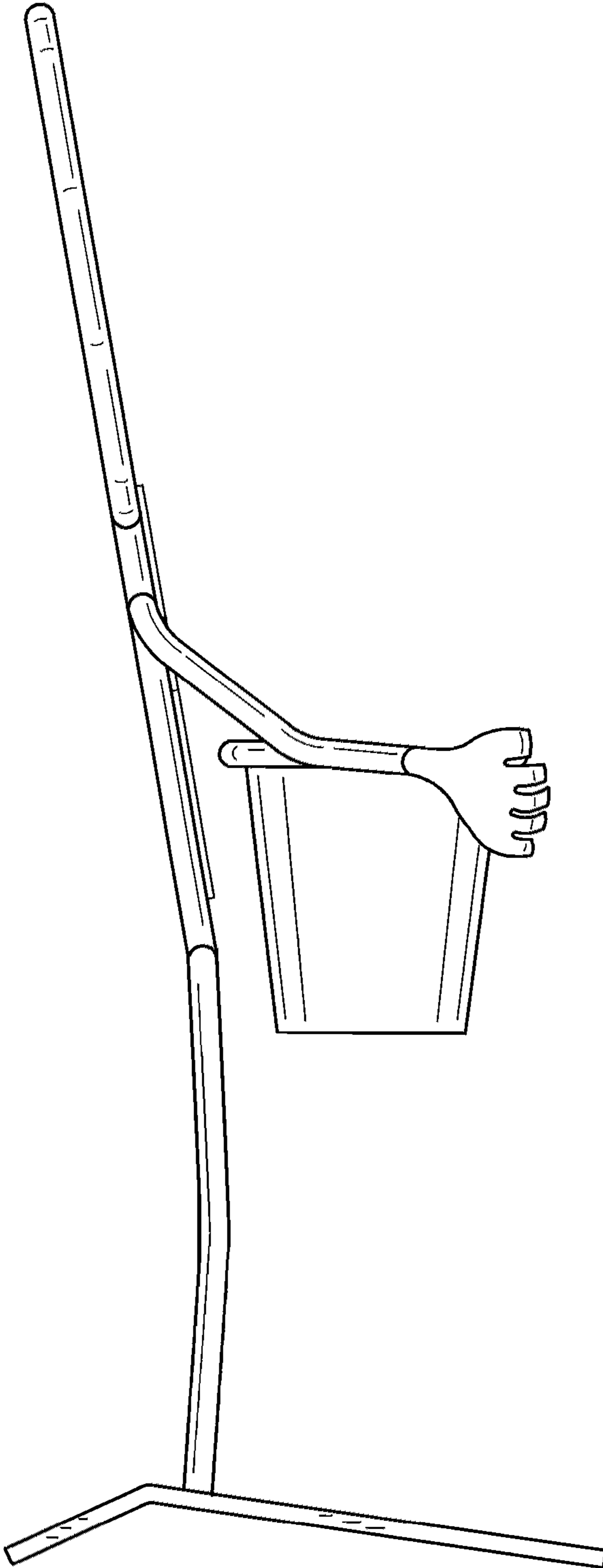


FIG. 3

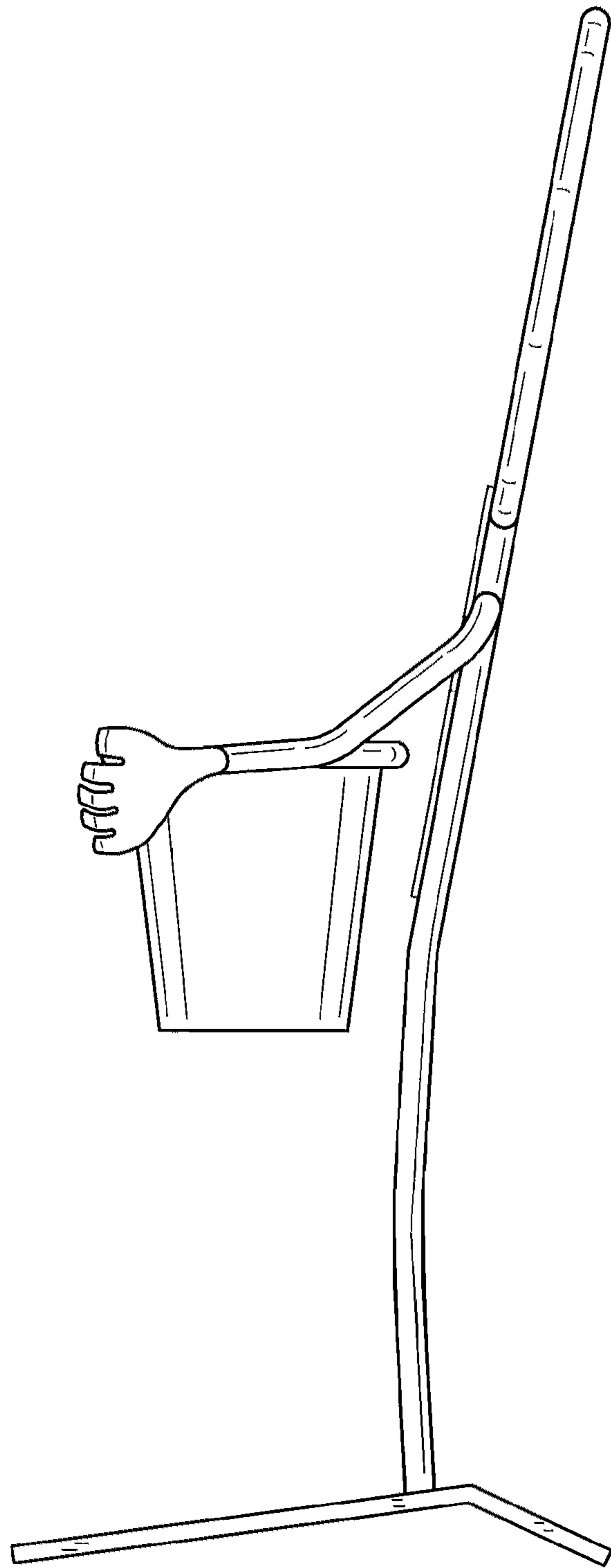


FIG. 4

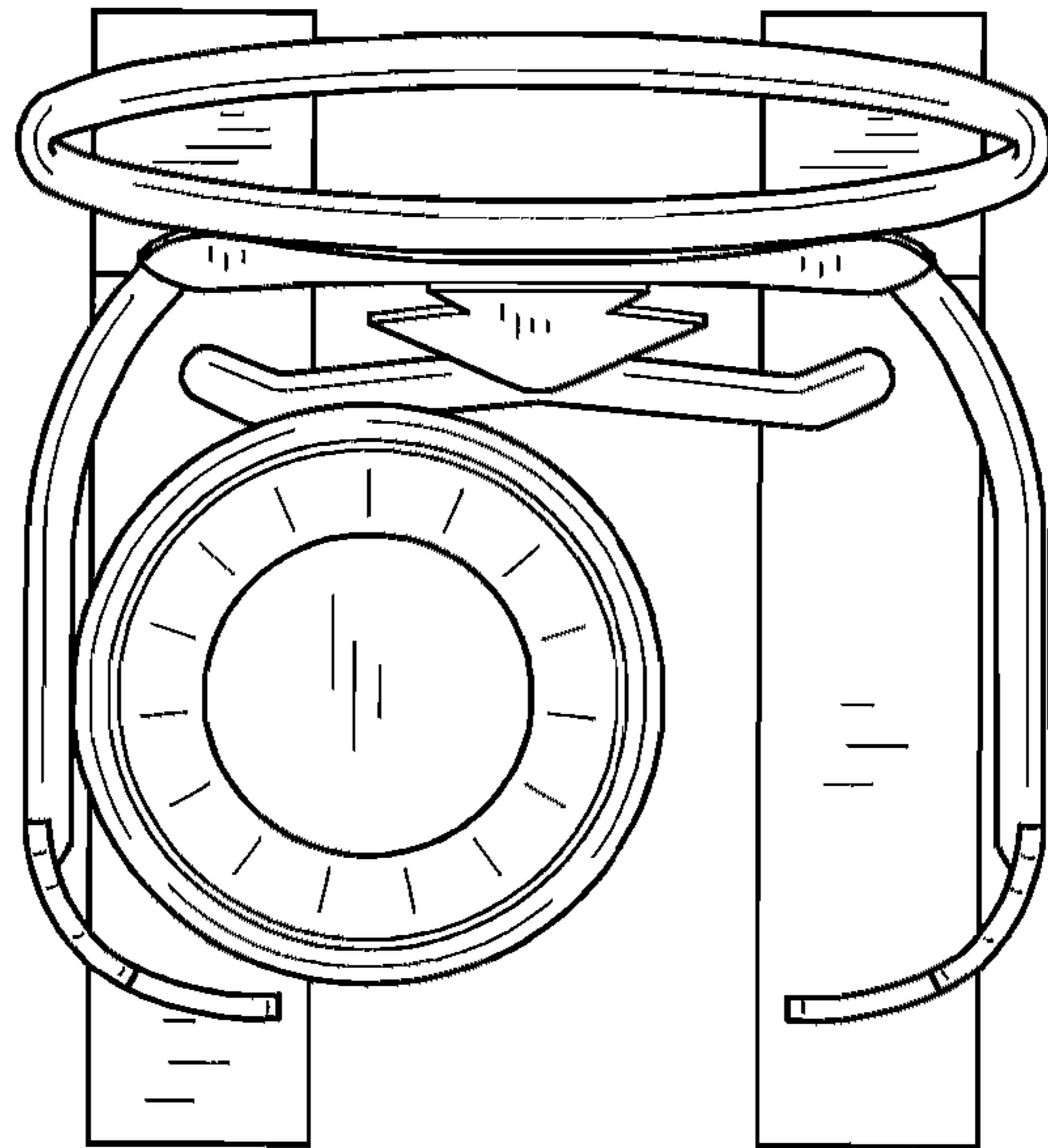


FIG. 5

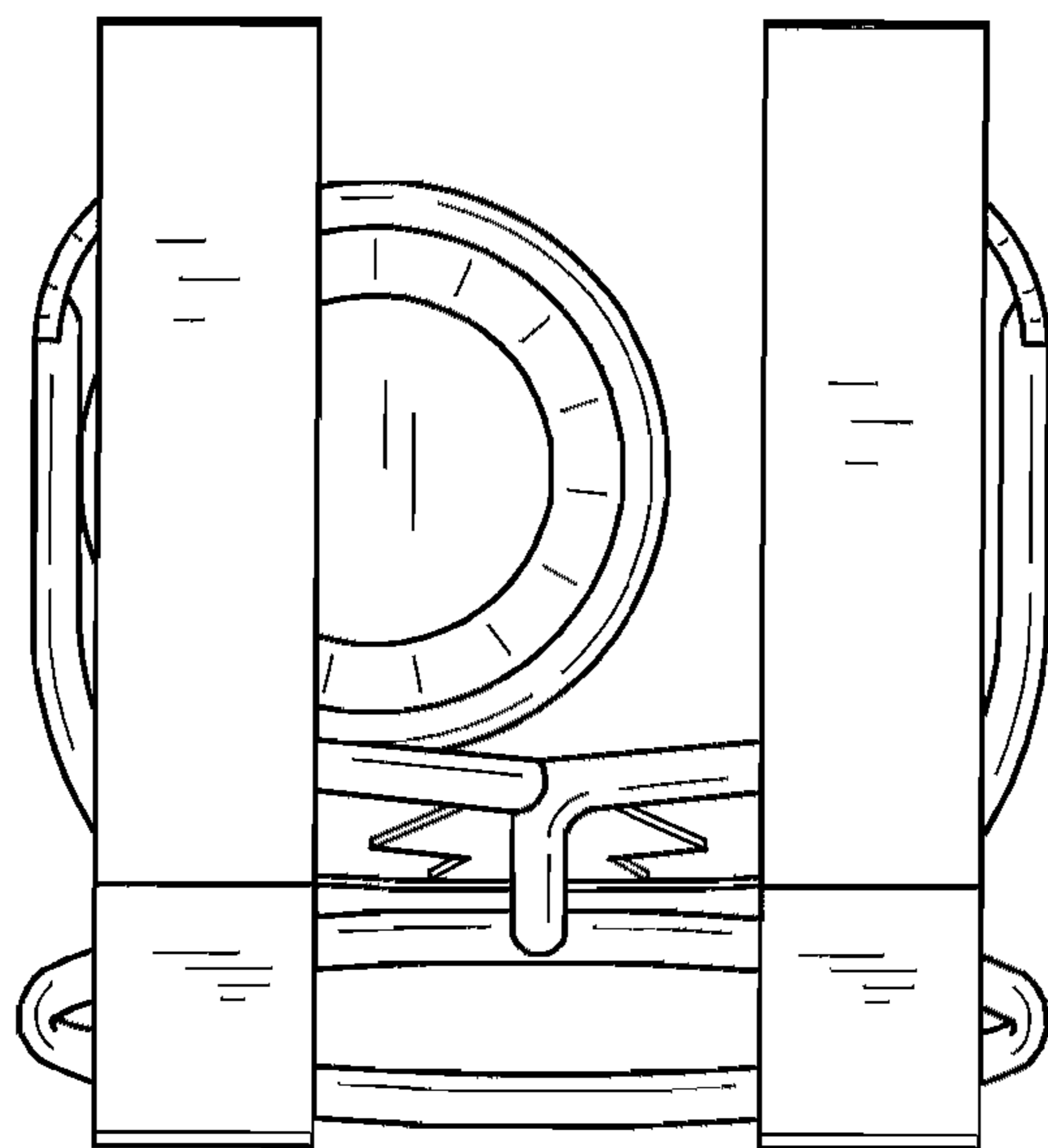


FIG. 6

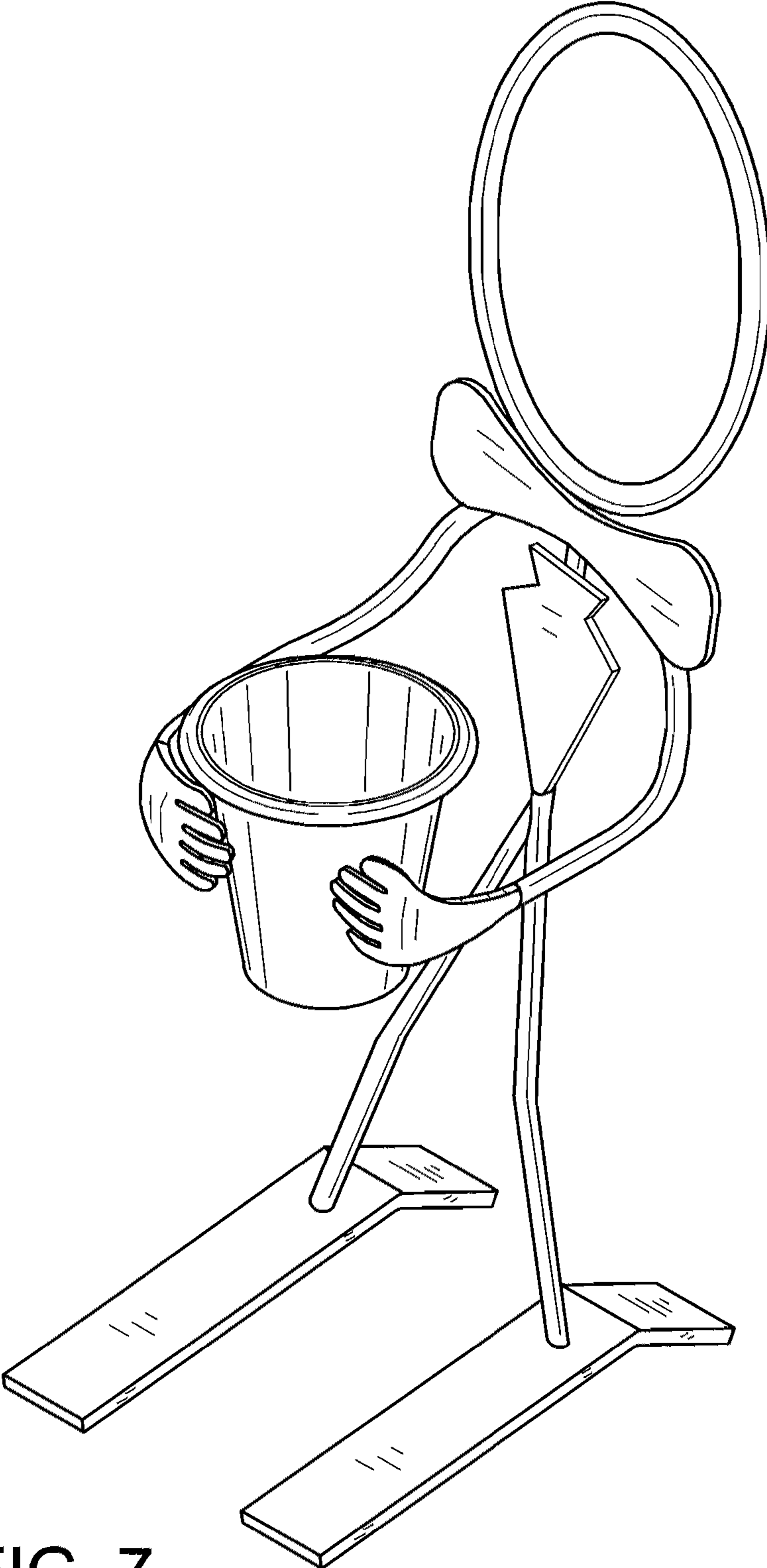


FIG. 7