



US00D688100S

(12) **United States Design Patent**
Lao

(10) **Patent No.:** **US D688,100 S**

(45) **Date of Patent:** **** Aug. 20, 2013**

(54) **TWO-HANDLE CUP**

(75) Inventor: **Marvin Lao**, Burbank, CA (US)

(73) Assignee: **Disney Enterprises, Inc.**, Burbank, CA (US)

(**) Term: **14 Years**

(21) Appl. No.: **29/426,042**

(22) Filed: **Jun. 29, 2012**

(51) **LOC (9) Cl.** **07-01**

(52) **U.S. Cl.**

USPC **D7/534**; D24/197

(58) **Field of Classification Search**

USPC D7/534, 510, 511, 509; 99/495;
215/11.3, 11.5, 396; 220/710.5, 714; D24/197,
D24/198

See application file for complete search history.

(56) **References Cited**

U.S. PATENT DOCUMENTS

D315,213	S	*	3/1991	Ohnuki	D24/197
D322,196	S	*	12/1991	Ohnuki	D7/510
D341,892	S	*	11/1993	Yagi	D24/197
D364,314	S	*	11/1995	Humphrey et al.	D7/510
D368,529	S	*	4/1996	Allegre	D24/197
D425,994	S	*	5/2000	Hakim	D24/197
D433,143	S	*	10/2000	Chomik et al.	D24/197

D551,021	S	*	9/2007	Rouso et al.	D7/510
D579,722	S	*	11/2008	Sakulsacha et al.	D7/510
D642,435	S	*	8/2011	Schofield et al.	D7/510

* cited by examiner

Primary Examiner — Marianne Pandozzi

(74) *Attorney, Agent, or Firm* — Marsh Fischmann & Breyfogle, LLP; Kent A. Lembke

(57) **CLAIM**

The ornamental design for a two-handle cup, as shown and described.

DESCRIPTION

FIG. 1 illustrates a perspective front view of a two-handle cup, which may also be labeled a two-handle sippy cup, of the claimed design;

FIG. 2 is a front view of the two-handle cup shown in FIG. 1;

FIG. 3 is back view of the two-handle cup shown in FIG. 1;

FIG. 4 is a right side view of the two-handle cup shown in FIG. 1;

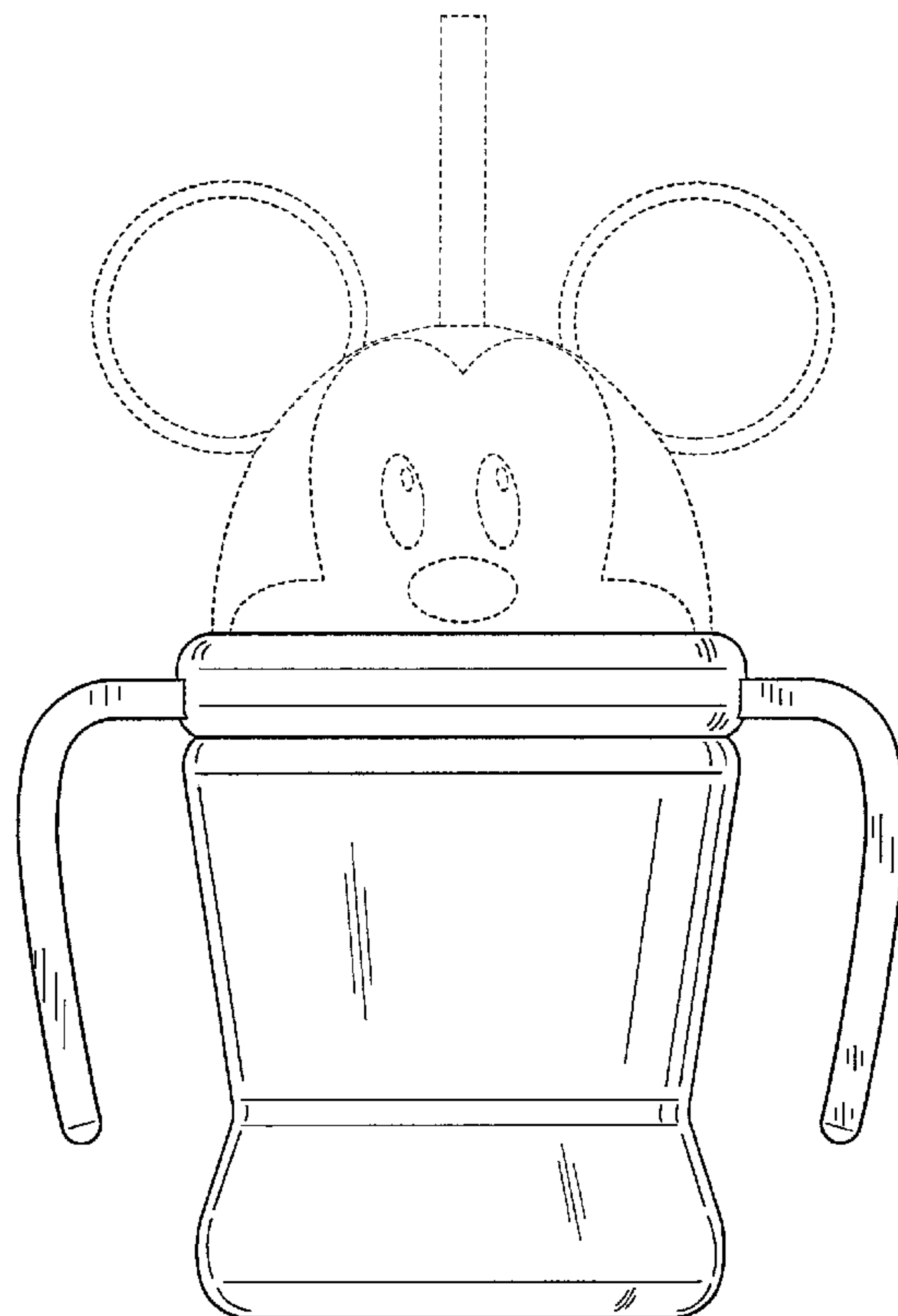
FIG. 5 is a left side view of the two-handle cup shown in FIG. 1;

FIG. 6 is a top view of the two-handle cup shown in FIG. 1; and,

FIG. 7 is a bottom view of the two-handle cup shown in FIG. 1.

The broken line showing of a cap or top portion of a two-handle cup in all views forms no part of the claimed design.

1 Claim, 6 Drawing Sheets



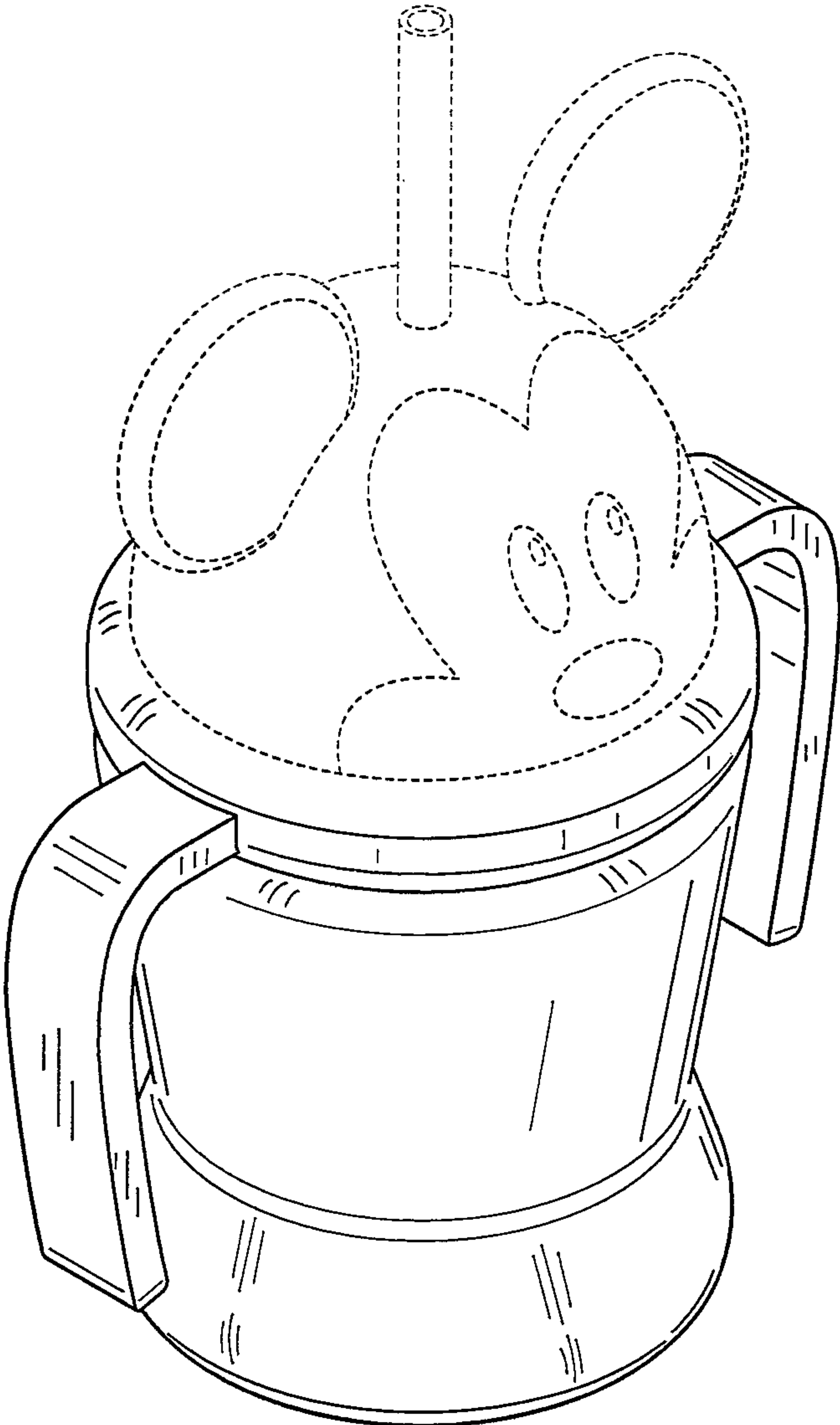


FIG.1

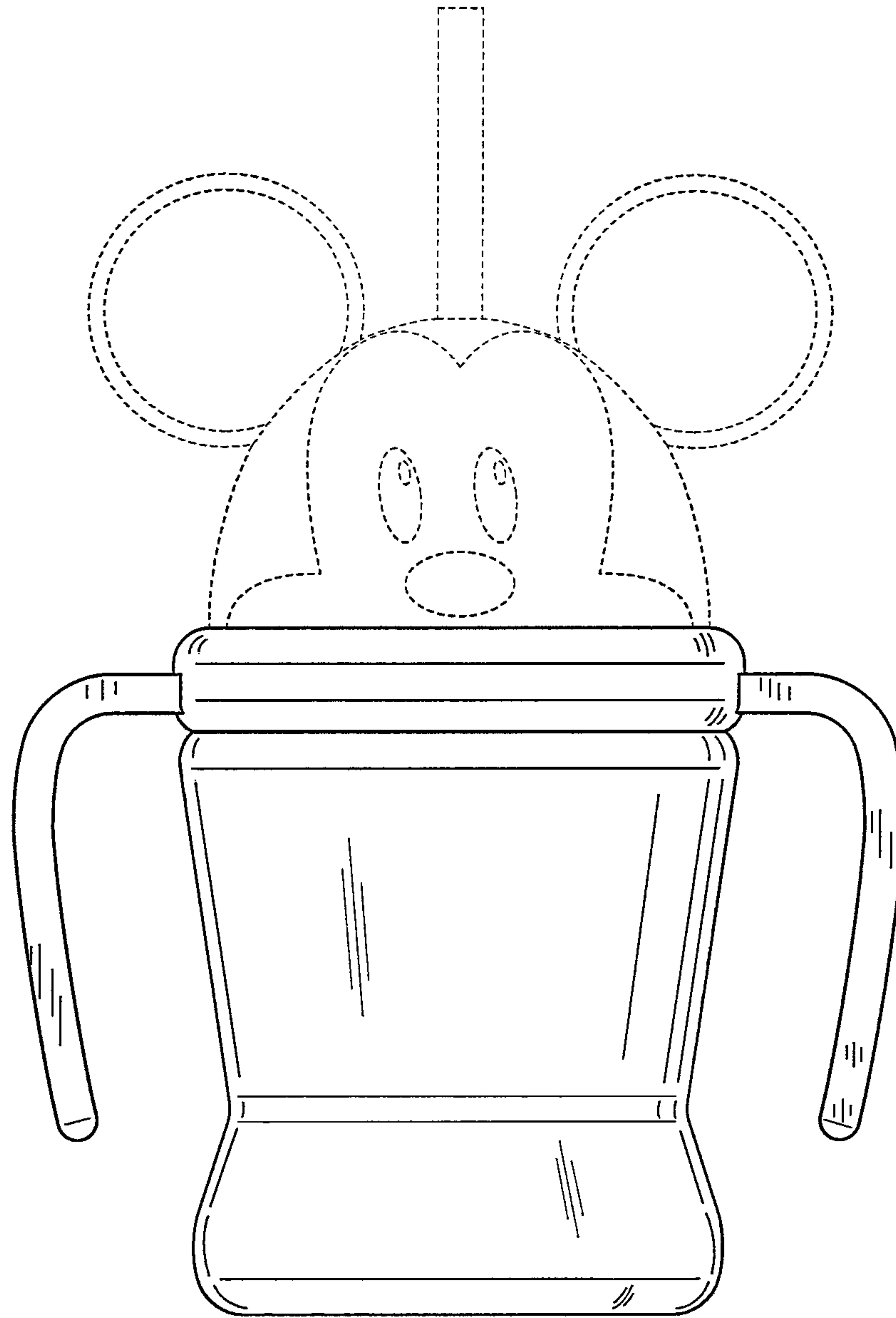


FIG.2

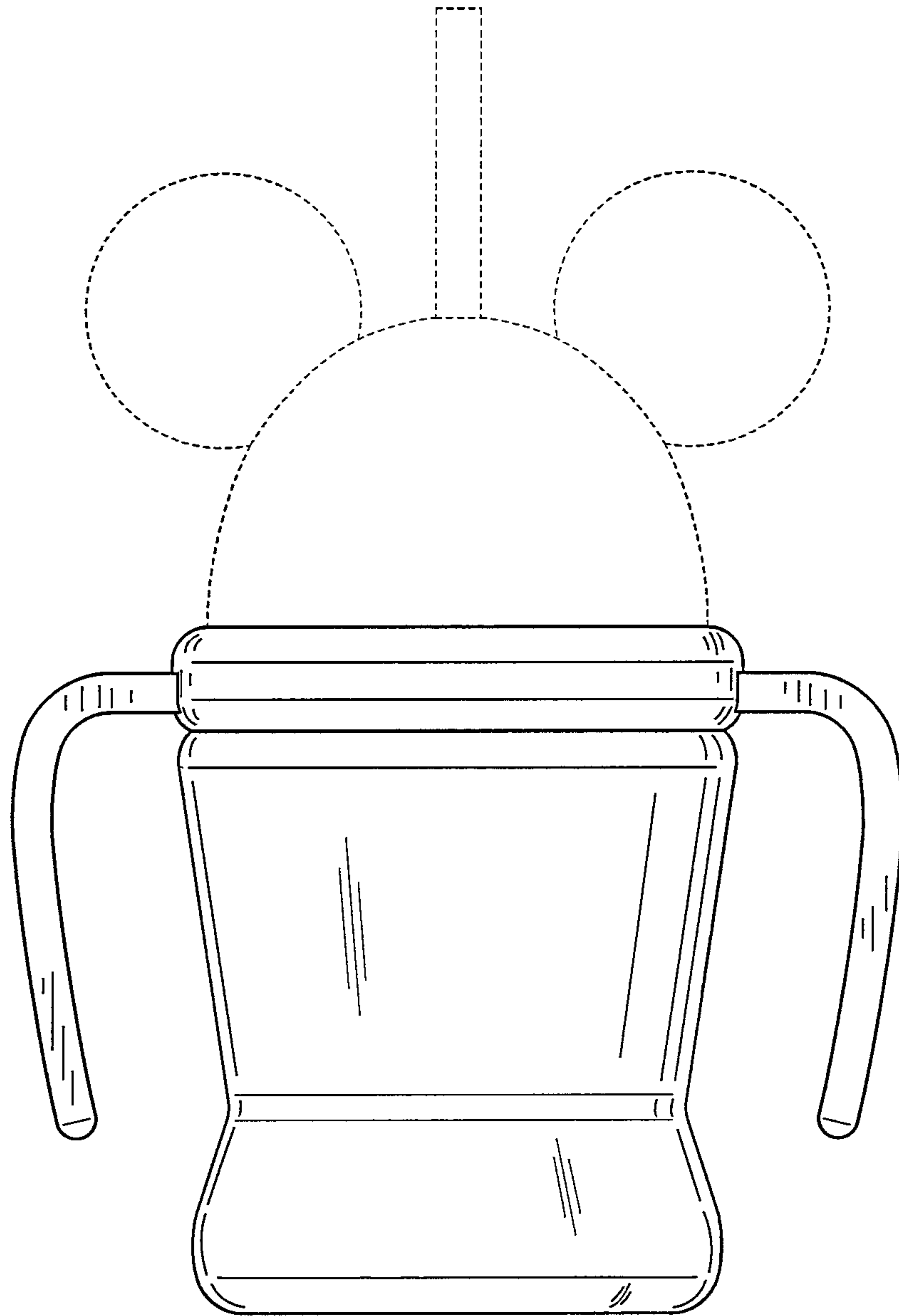


FIG.3

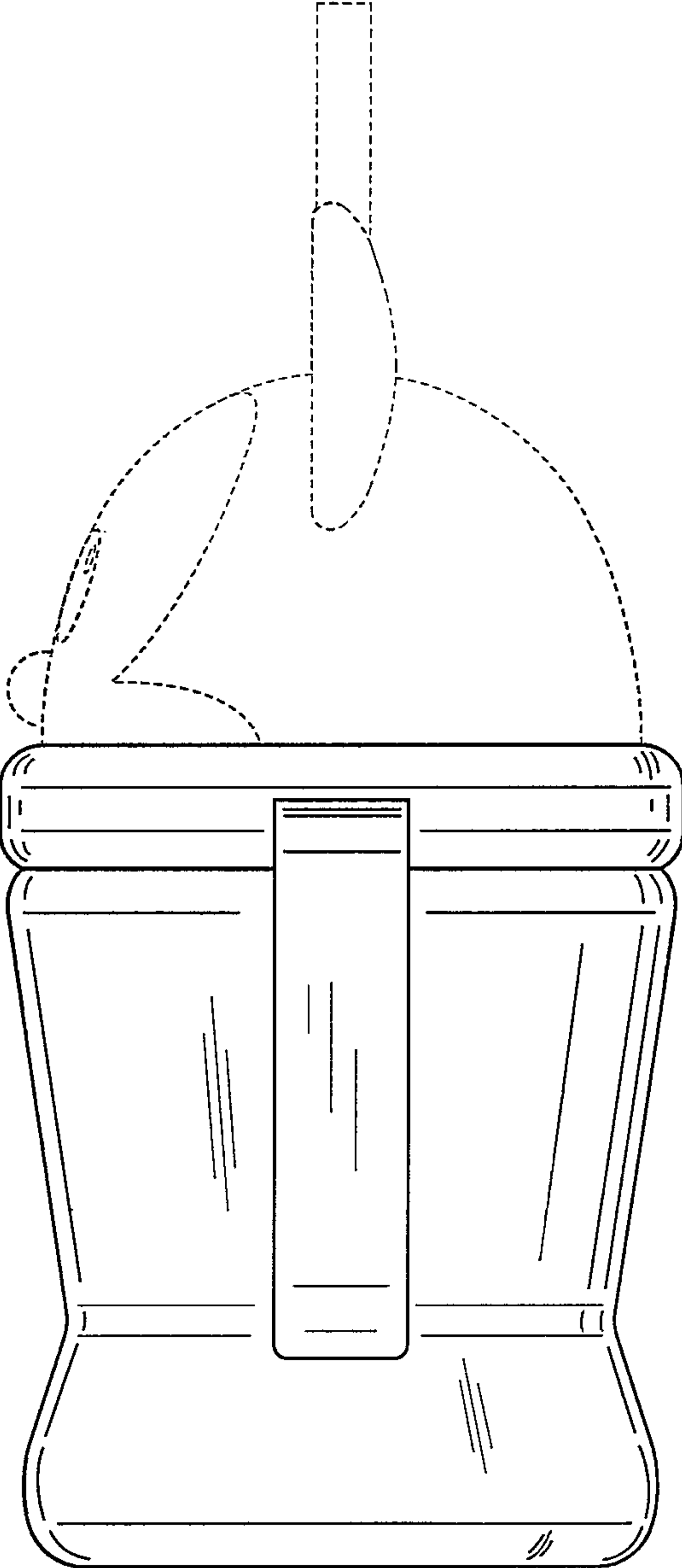


FIG.4

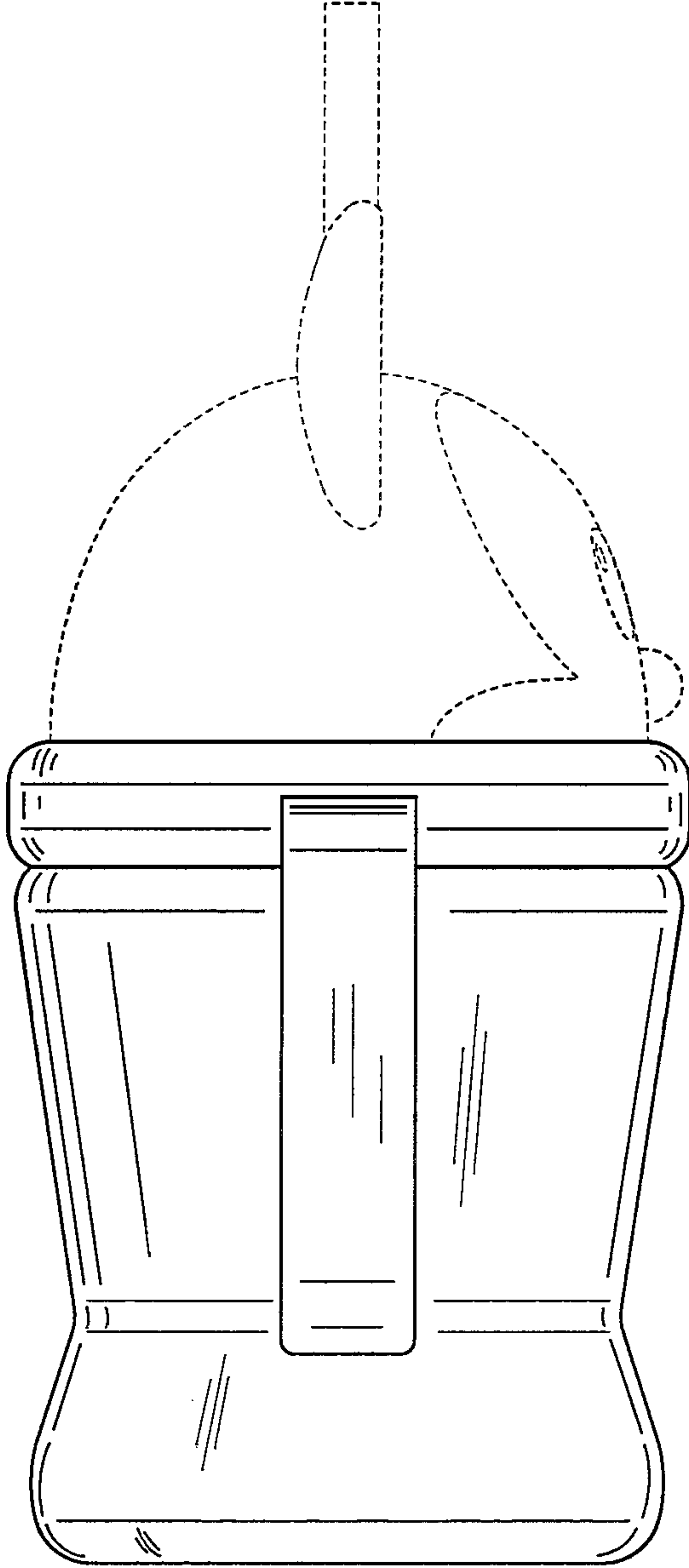


FIG.5

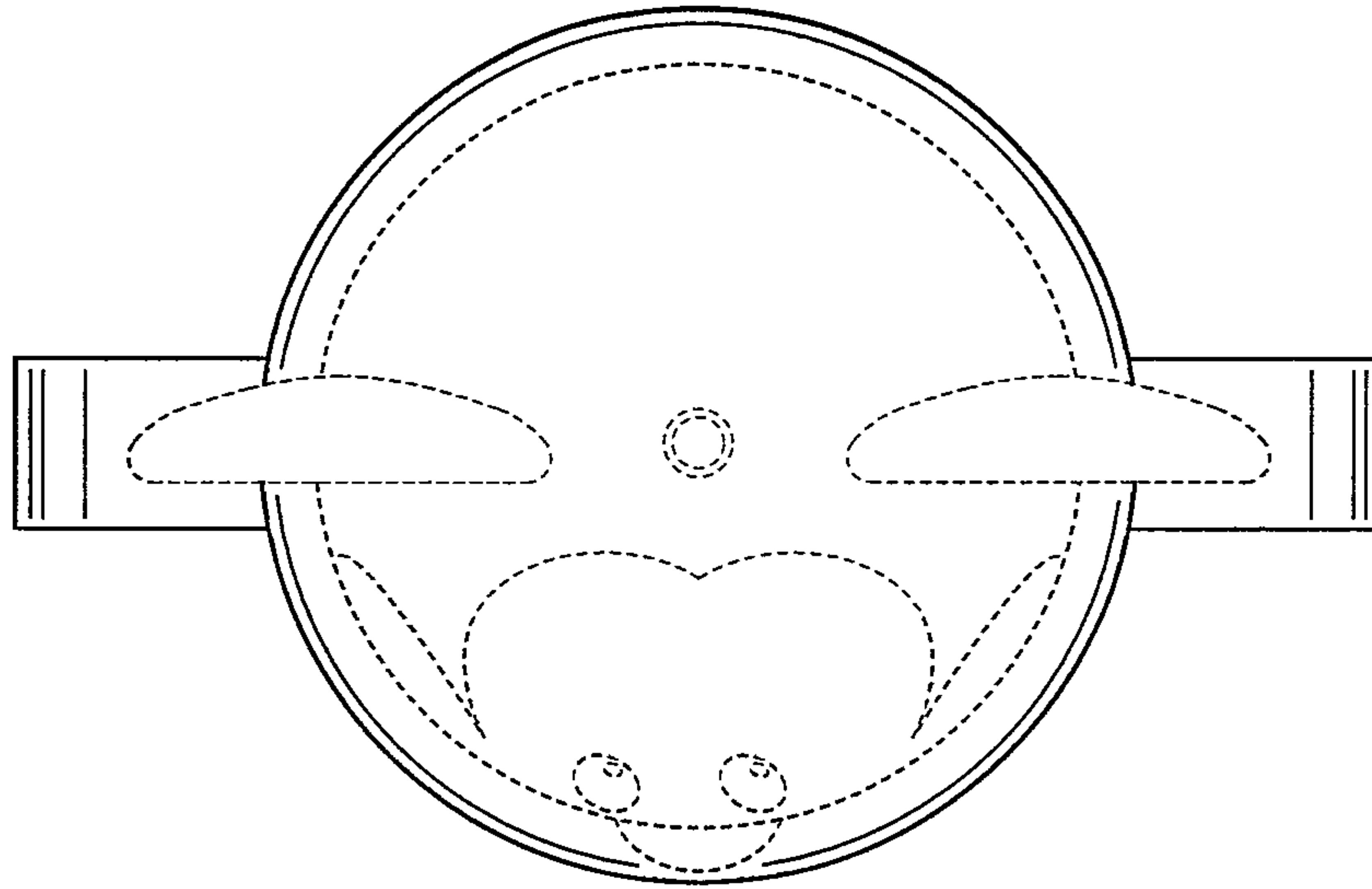


FIG.6

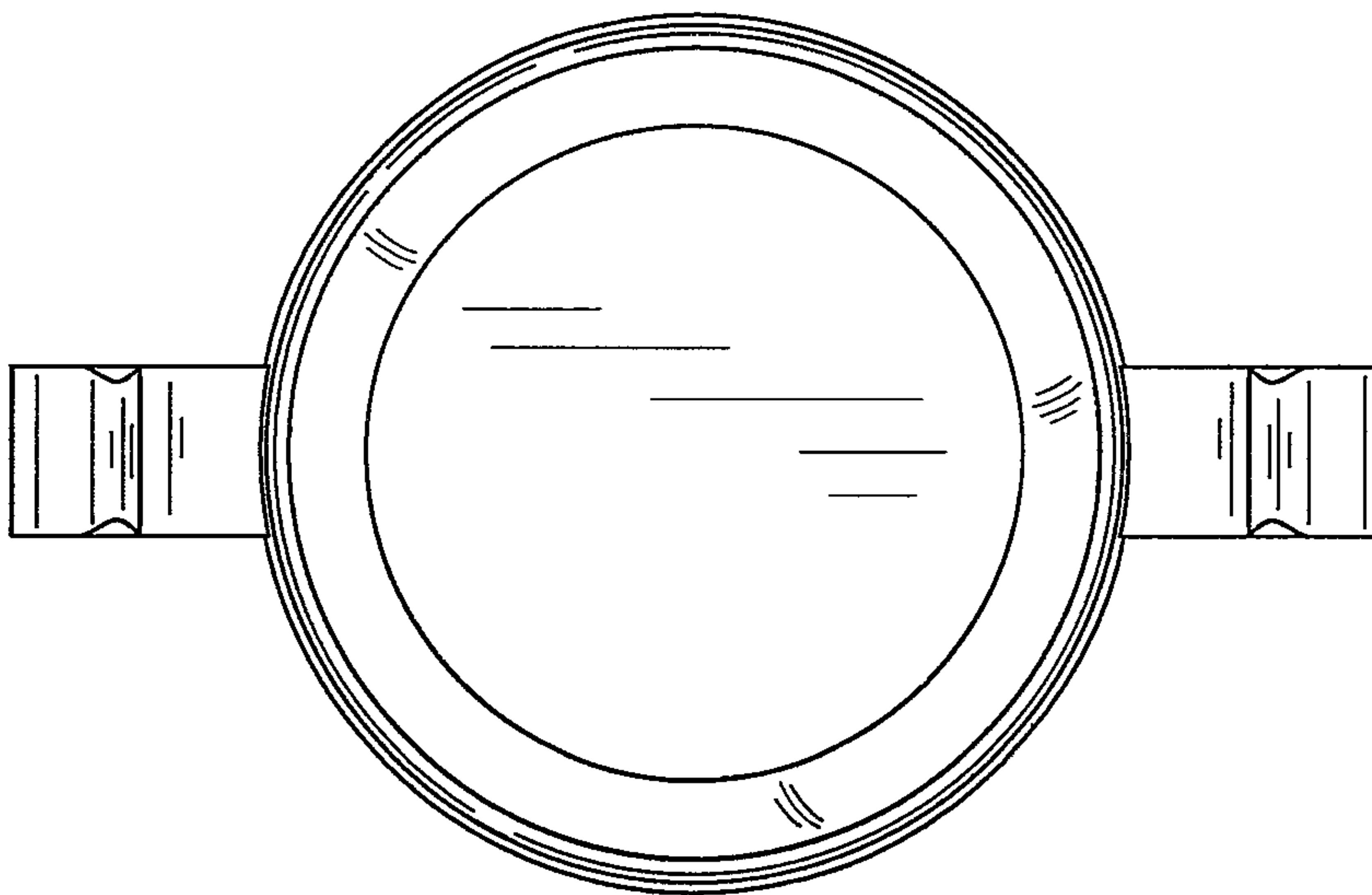


FIG.7