



US00D688097S

(12) **United States Design Patent**  
**Pai**

(10) **Patent No.:** **US D688,097 S**

(45) **Date of Patent:** **\*\* Aug. 20, 2013**

(54) **PEDESTAL FOR A GRILL**

(71) Applicant: **Lucas Pai**, Taichung (TW)

(72) Inventor: **Lucas Pai**, Taichung (TW)

(\*\*) Term: **14 Years**

(21) Appl. No.: **29/441,400**

(22) Filed: **Jan. 4, 2013**

(51) **LOC (9) Cl.** ..... **07-02**

(52) **U.S. Cl.**  
USPC ..... **D7/403**

(58) **Field of Classification Search**  
USPC ..... D7/332, 334-337, 402-404, 406,  
D7/409; 126/25 R, 41 R, 38, 9 R, 9 A, 9 B,  
126/40, 50, 37 R, 304 R, 305; 99/450, 481,  
99/482; 248/163.1, 440.1, 188.1, 127;  
108/157.13

See application file for complete search history.

(56) **References Cited**

U.S. PATENT DOCUMENTS

D428,303 S *	7/2000	Wagner et al.	.....	D7/403
D451,759 S *	12/2001	Joss et al.	.....	D7/402
D501,753 S *	2/2005	Pai	.....	D7/334
D502,357 S *	3/2005	Pai	.....	D7/334

D516,860 S *	3/2006	Nipke	.....	D7/403
D516,861 S *	3/2006	Nipke	.....	D7/403
D517,368 S *	3/2006	Nipke	.....	D7/403
D538,104 S *	3/2007	Nipke	.....	D7/402
D621,212 S *	8/2010	Bruno et al.	.....	D7/402
D631,686 S *	2/2011	Tiller et al.	.....	D7/337
2002/0078944 A1 *	6/2002	Cozzolino et al.	.....	126/41 R

\* cited by examiner

*Primary Examiner* — Ruth McInroy

(74) *Attorney, Agent, or Firm* — Egbert Law Offices, PLLC

(57) **CLAIM**

The ornamental design for a pedestal for a grill, as shown and described.

**DESCRIPTION**

FIG. 1 is an upper perspective view of the pedestal for a grill showing my new design.

FIG. 2 is a front elevation view thereof;

FIG. 3 is a back elevation view thereof;

FIG. 4 is a left side view thereof;

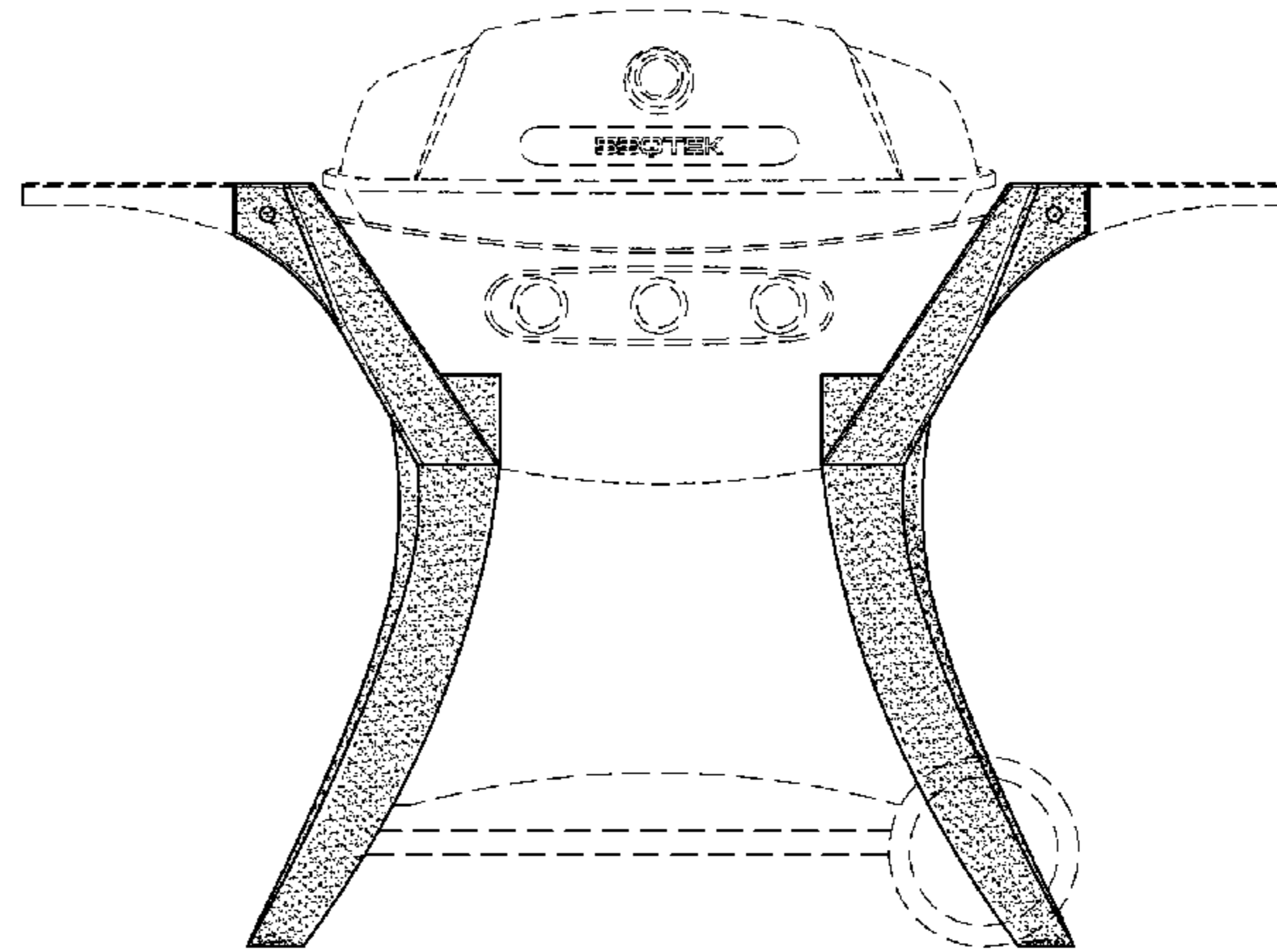
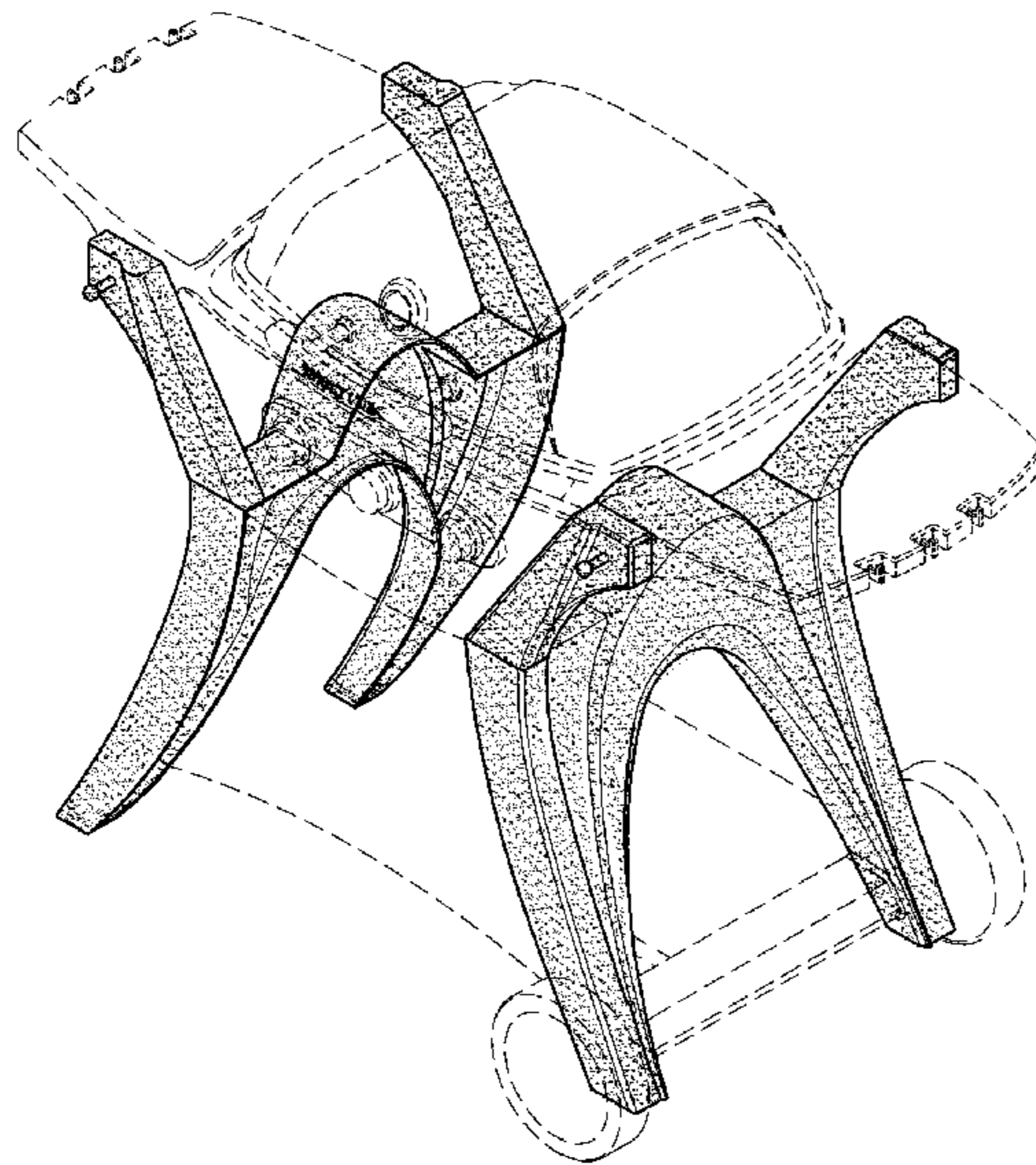
FIG. 5 is a right side view thereof;

FIG. 6 is a top plan view thereof; and,

FIG. 7 is a bottom plan view thereof.

The grill structure presented in broken lines is for environmental purposes only and forms no part of the claimed design.

**1 Claim, 7 Drawing Sheets**



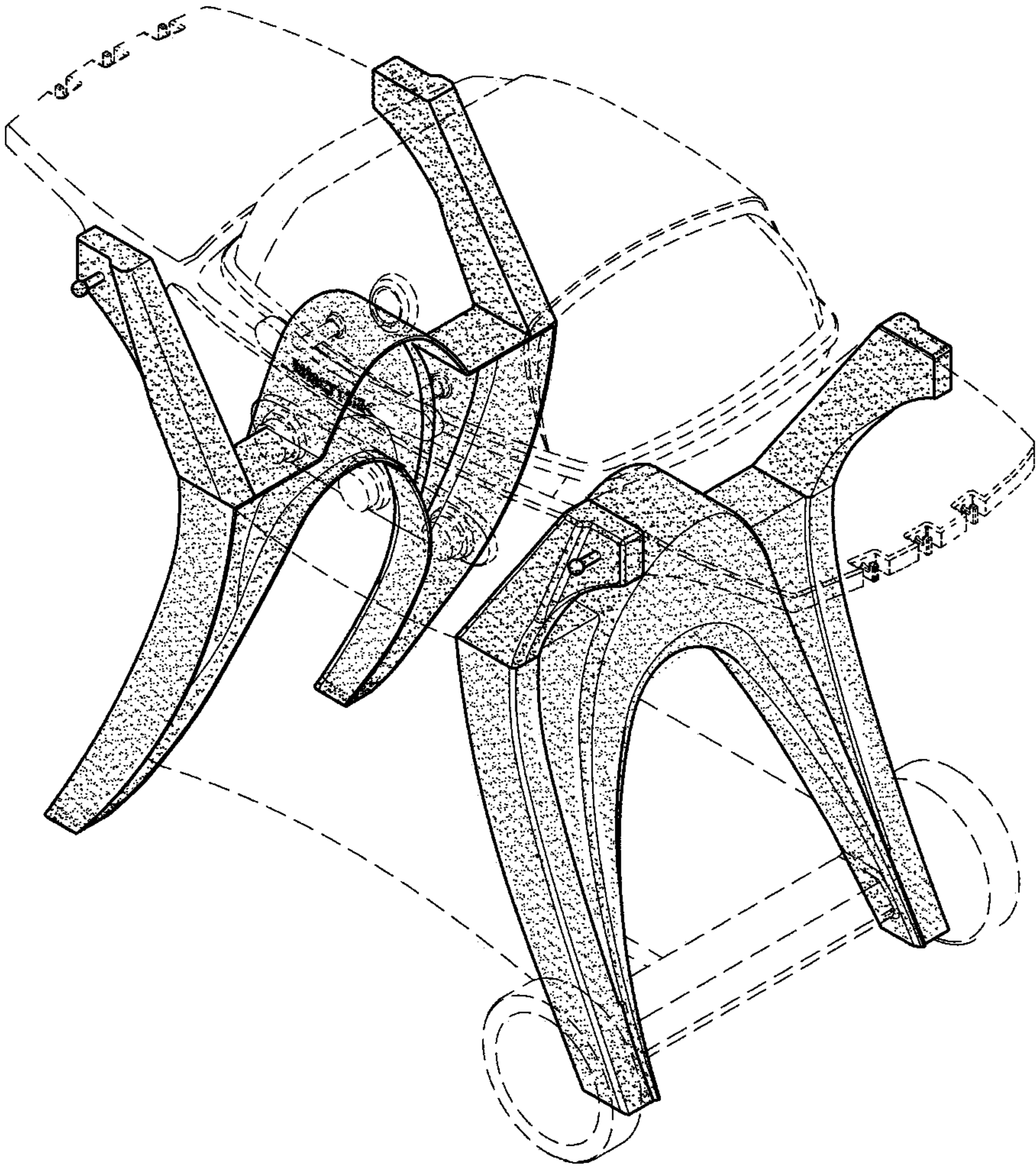


FIG.1

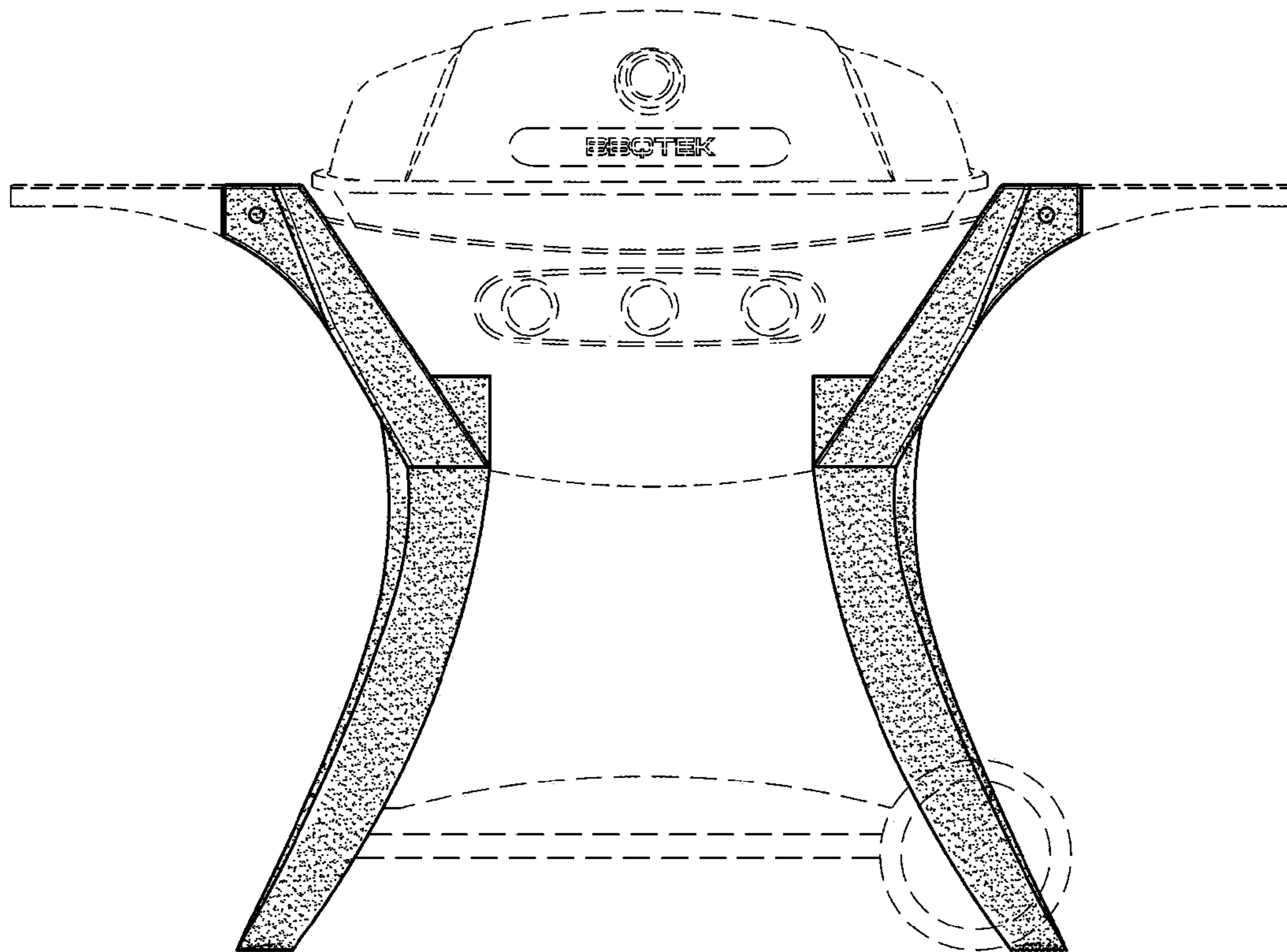


FIG.2

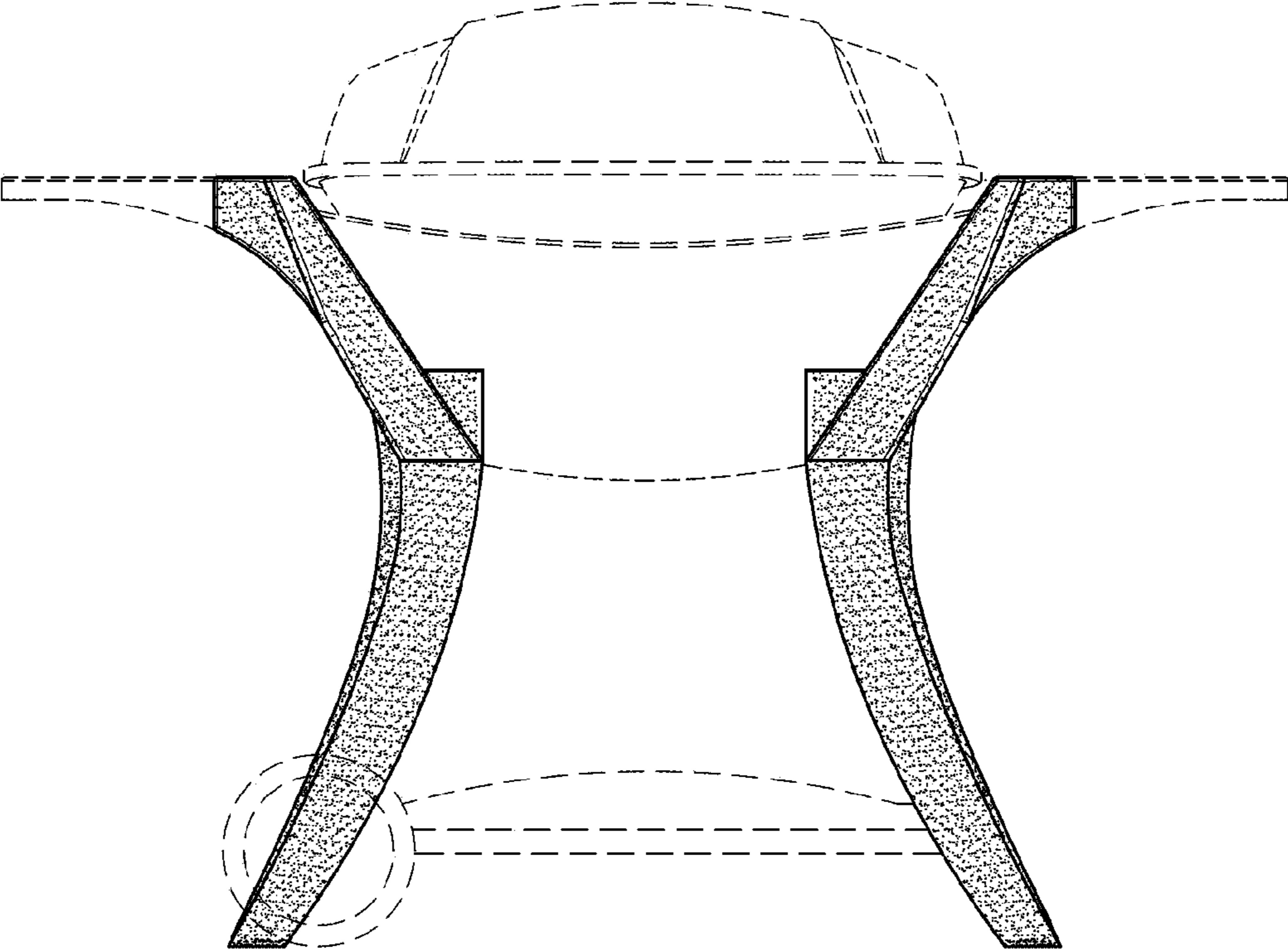


FIG.3

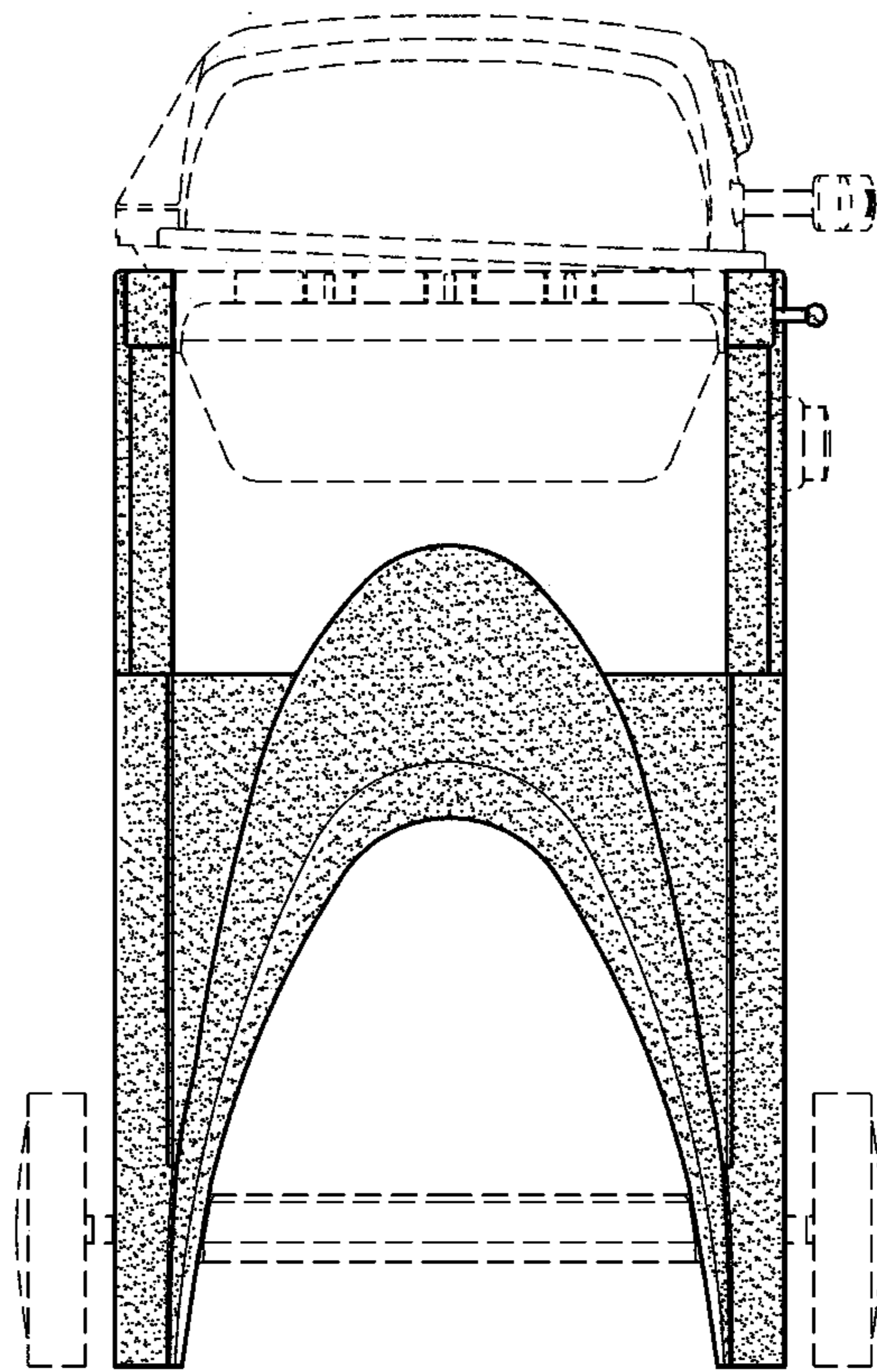


FIG. 4

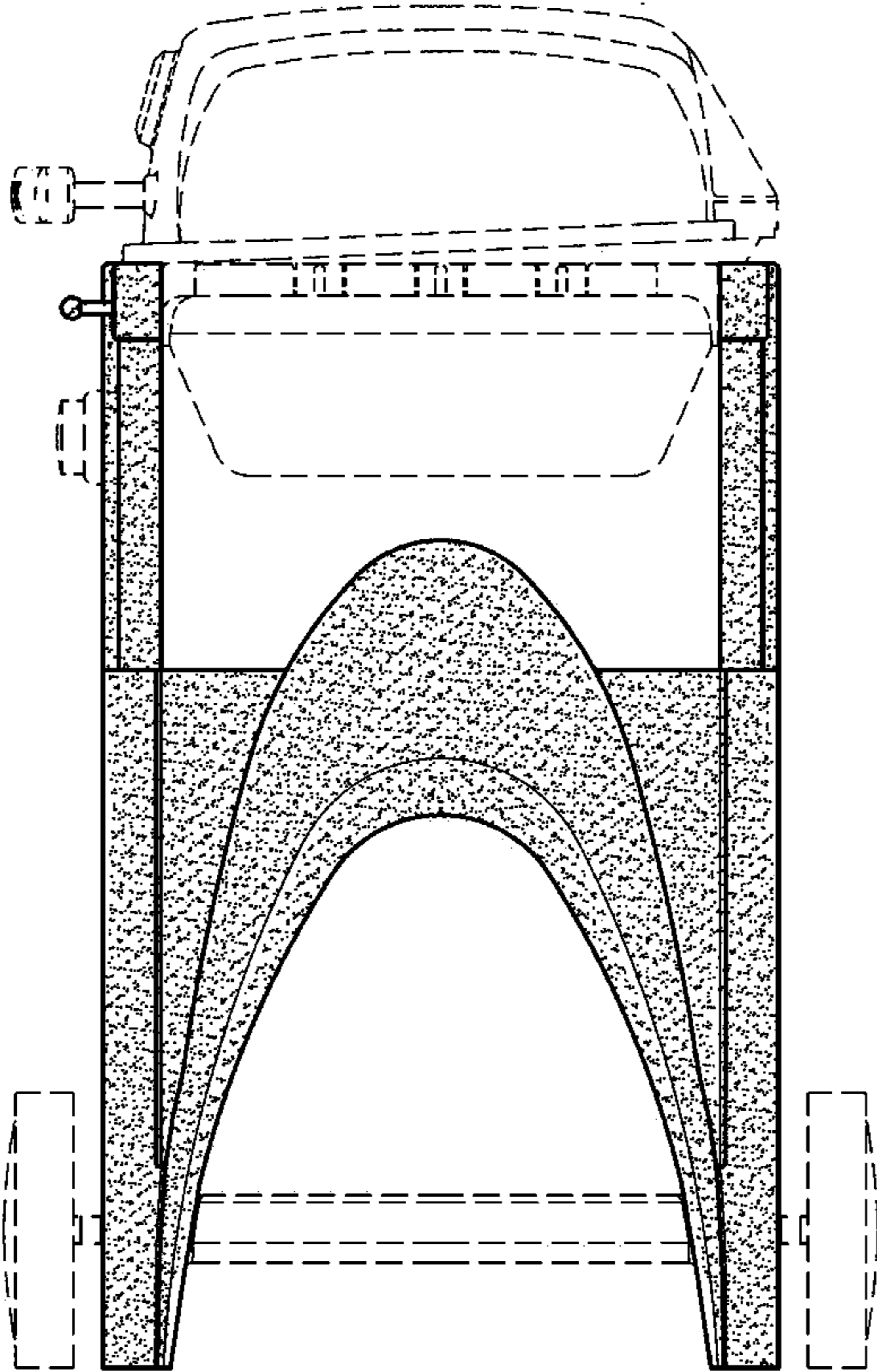


FIG.5

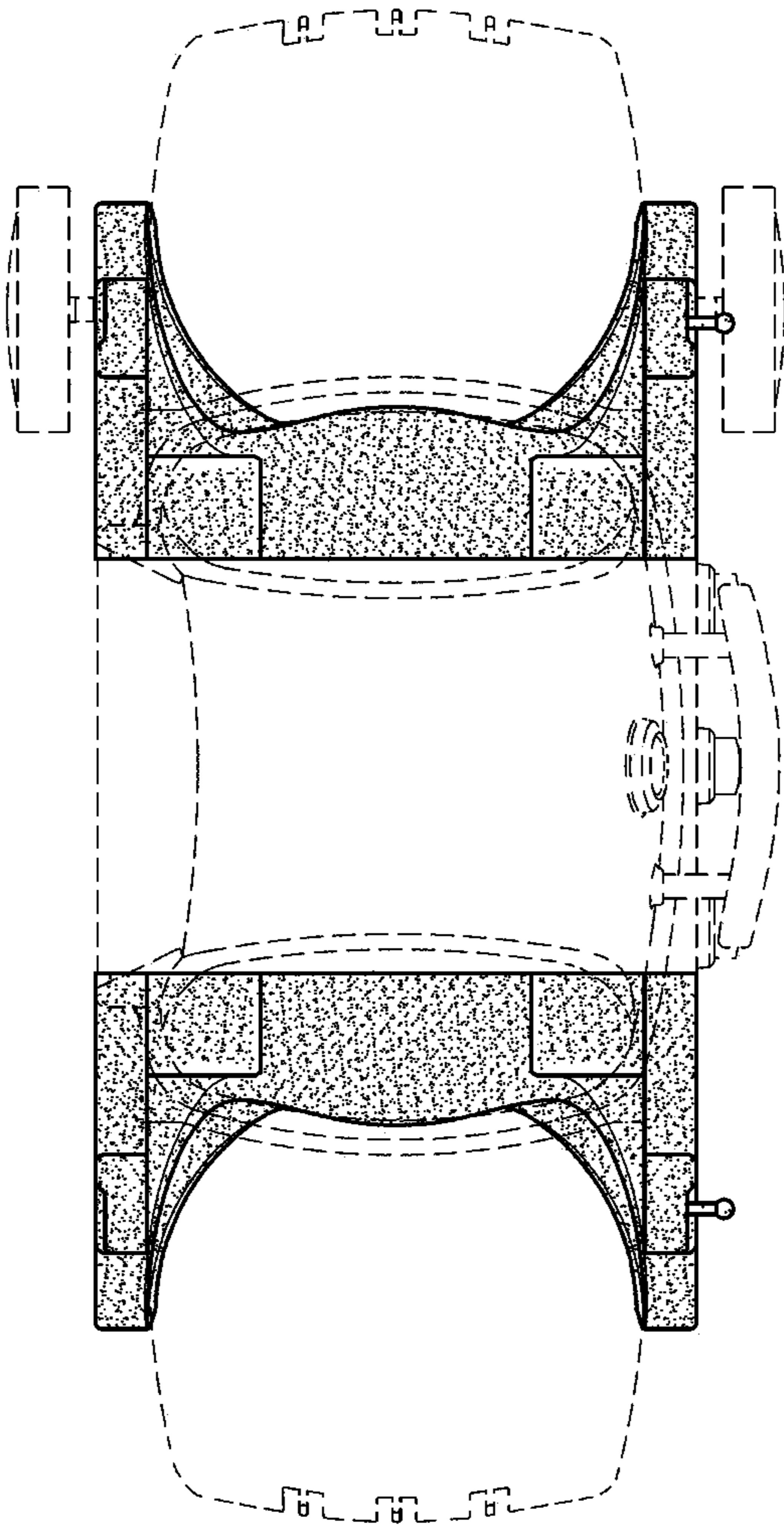


FIG.6

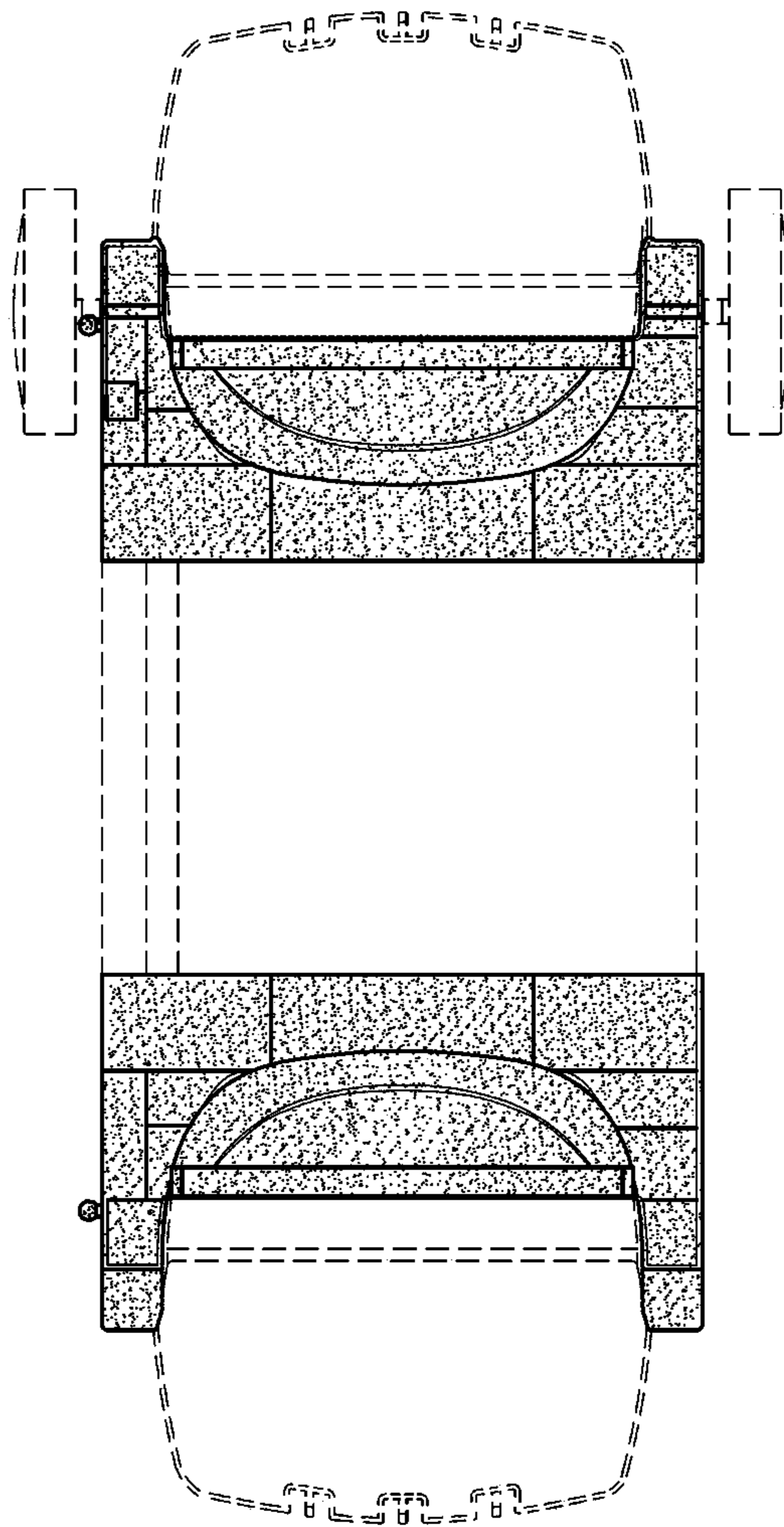


FIG.7