



US00D688095S

(12) **United States Design Patent**
DeMiglio et al.

(10) **Patent No.:** **US D688,095 S**

(45) **Date of Patent:** **** Aug. 20, 2013**

(54) **BEVERAGE BREWING DEVICE**
(75) Inventors: **Ron R. DeMiglio**, Snohomish, WA
(US); **Mark J. Staudacher**, Snohomish,
WA (US); **Randy C. Anderson**,
Stanwood, WA (US)

5,910,205 A * 6/1999 Patel 99/315
D567,021 S * 4/2008 Bach et al. D7/400
D606,363 S * 12/2009 Aardenburg D7/400
7,815,953 B2 * 10/2010 Mastropasqua et al. 426/77
D652,266 S * 1/2012 Smyers D7/630
8,147,887 B2 * 4/2012 Dogan et al. 426/77
D677,120 S * 3/2013 Demiglio et al. D7/400

(73) Assignee: **Eko Brands, LLC**, Woodinville, WA
(US)

* cited by examiner

(**) Term: **14 Years**

Primary Examiner — Marianne Pandozzi

(21) Appl. No.: **29/427,383**

(74) *Attorney, Agent, or Firm* — Christensen O'Connor
Johnson Kindness PLLC

(22) Filed: **Jul. 17, 2012**

(57) **CLAIM**

The ornamental design for a beverage brewing device, as
shown and described.

Related U.S. Application Data

DESCRIPTION

(63) Continuation of application No. 13/467,792, filed on
May 9, 2012, which is a continuation-in-part of
application No. 13/236,549, filed on Sep. 19, 2011.

FIG. 1 is a top perspective view of a beverage brewing device
according to our new design;

(51) **LOC (9) Cl.** **07-01**

FIG. 2 is a bottom perspective view of the beverage brewing
device of FIG. 1;

(52) **U.S. Cl.**
USPC **D7/400**

FIG. 3 is a front elevational view of the beverage brewing
device of FIG. 1;

(58) **Field of Classification Search**
USPC D7/400, 279, 280; 426/79; 206/222;
99/317, 279, 280

FIG. 4 is a side elevational view of the beverage brewing
device of FIG. 1;

See application file for complete search history.

FIG. 5 is a rear elevational view of the beverage brewing
device of FIG. 1;

(56) **References Cited**

FIG. 6 is a top plan view of the beverage brewing device of
FIG. 1; and,

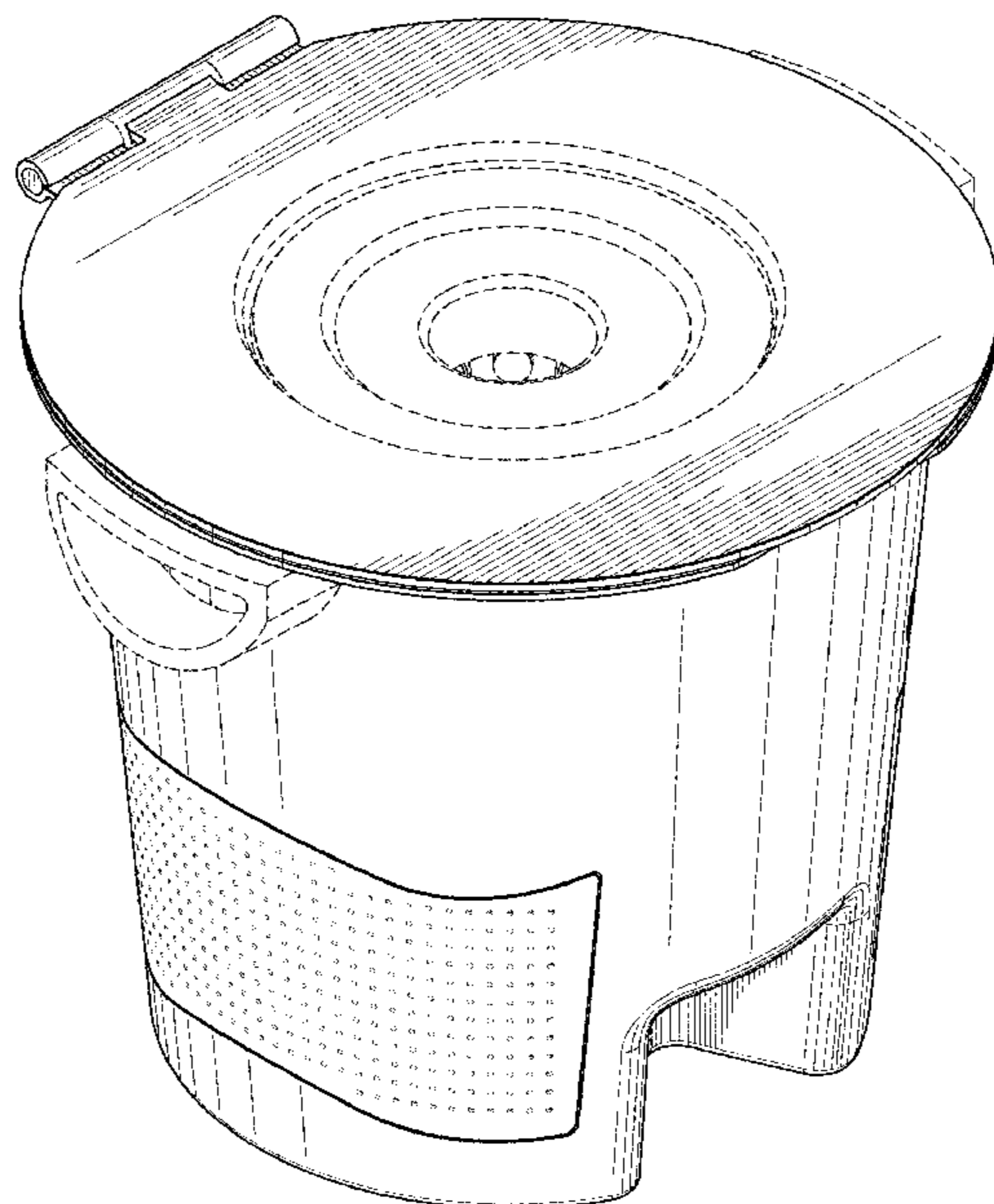
U.S. PATENT DOCUMENTS

FIG. 7 is a bottom plan view of the beverage brewing device
of FIG. 1.

D255,313 S * 6/1980 Elkerbout D7/400
D340,382 S * 10/1993 Bannigan D7/400
D349,211 S * 8/1994 Cerato D7/400
D407,602 S * 4/1999 Patel D7/400

The subject matter shown in phantom lines is hereby dis-
claimed and forms no part of the claimed invention.

1 Claim, 7 Drawing Sheets



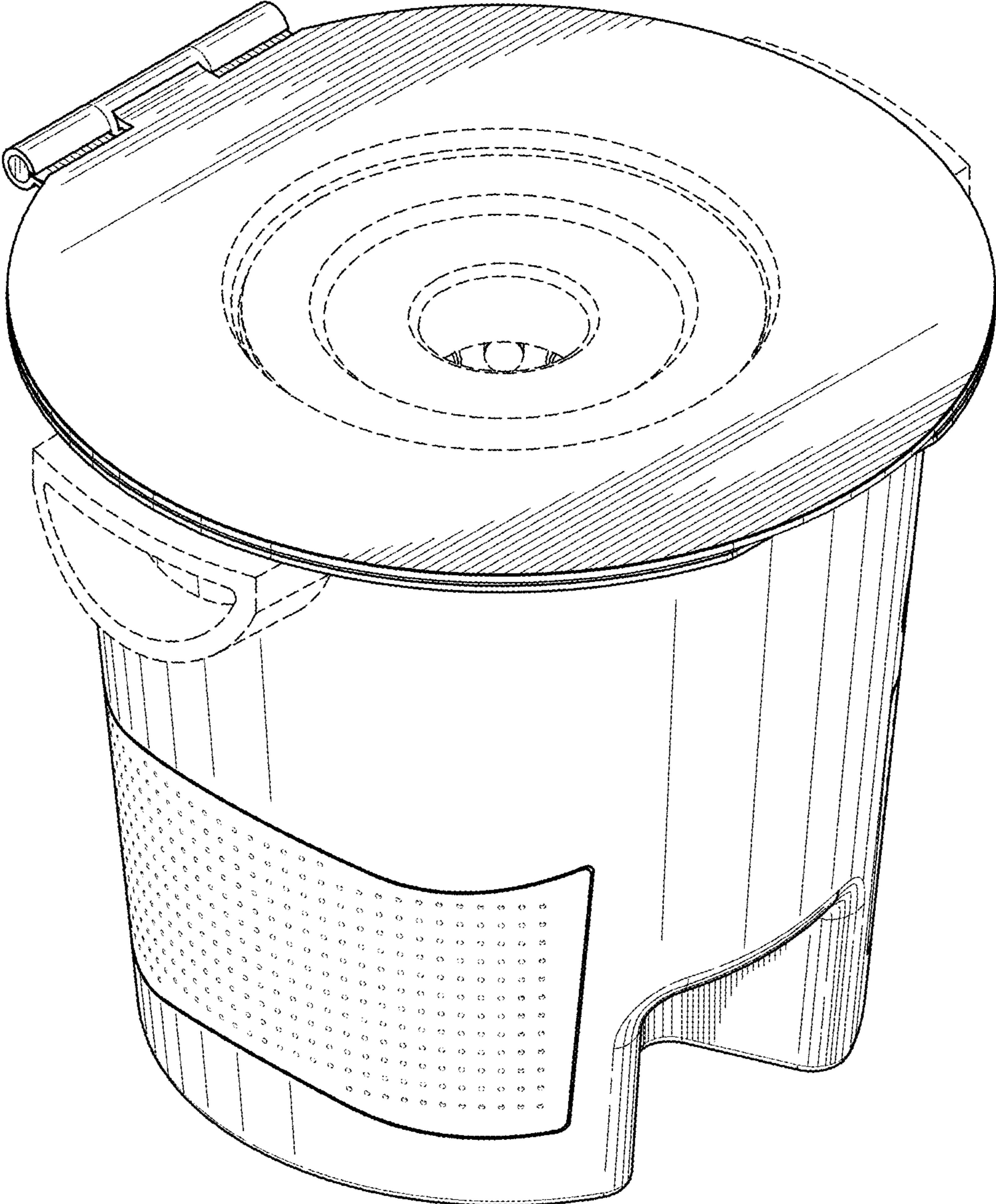


Fig. 1.

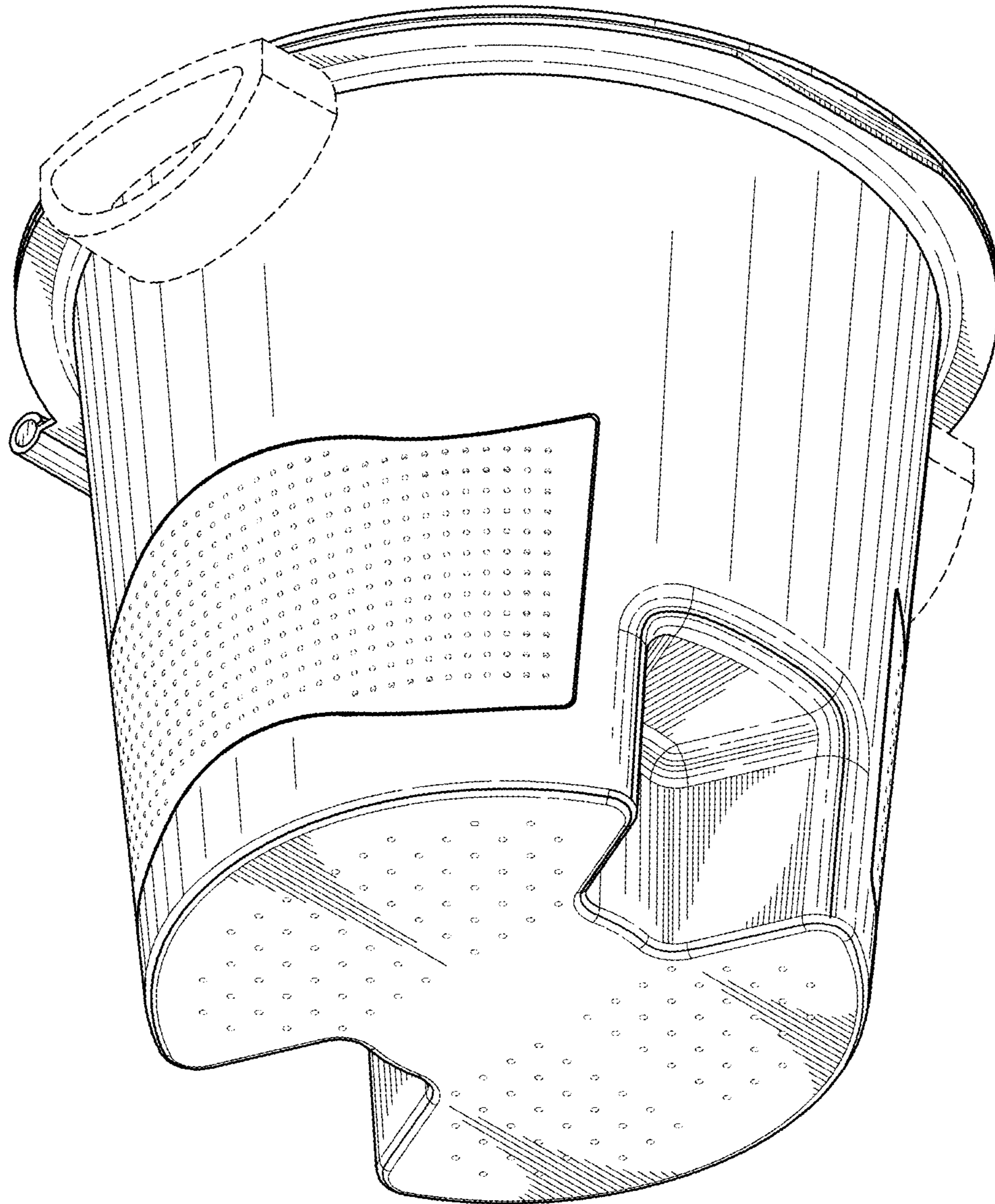


Fig. 2.

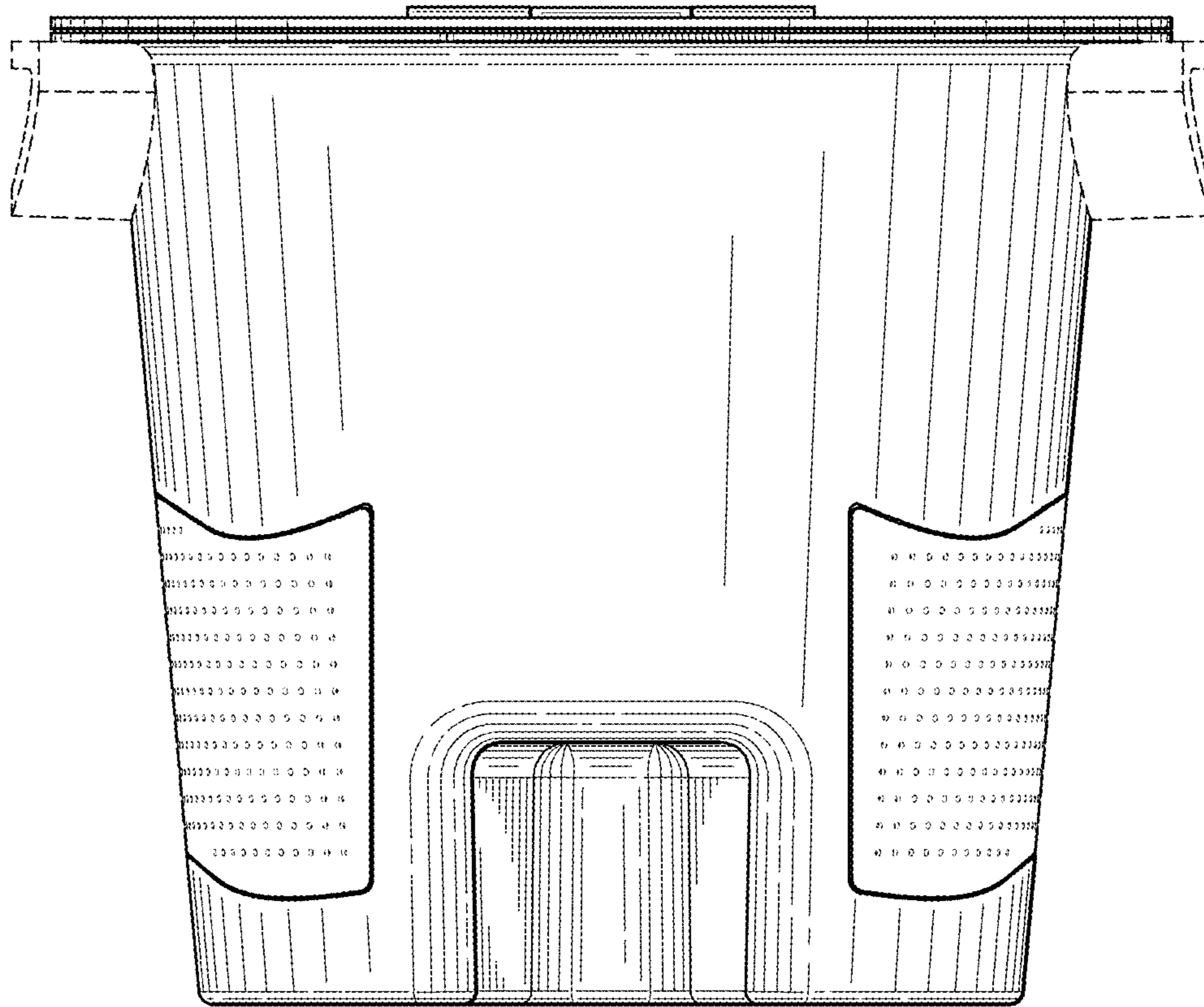


Fig. 3.

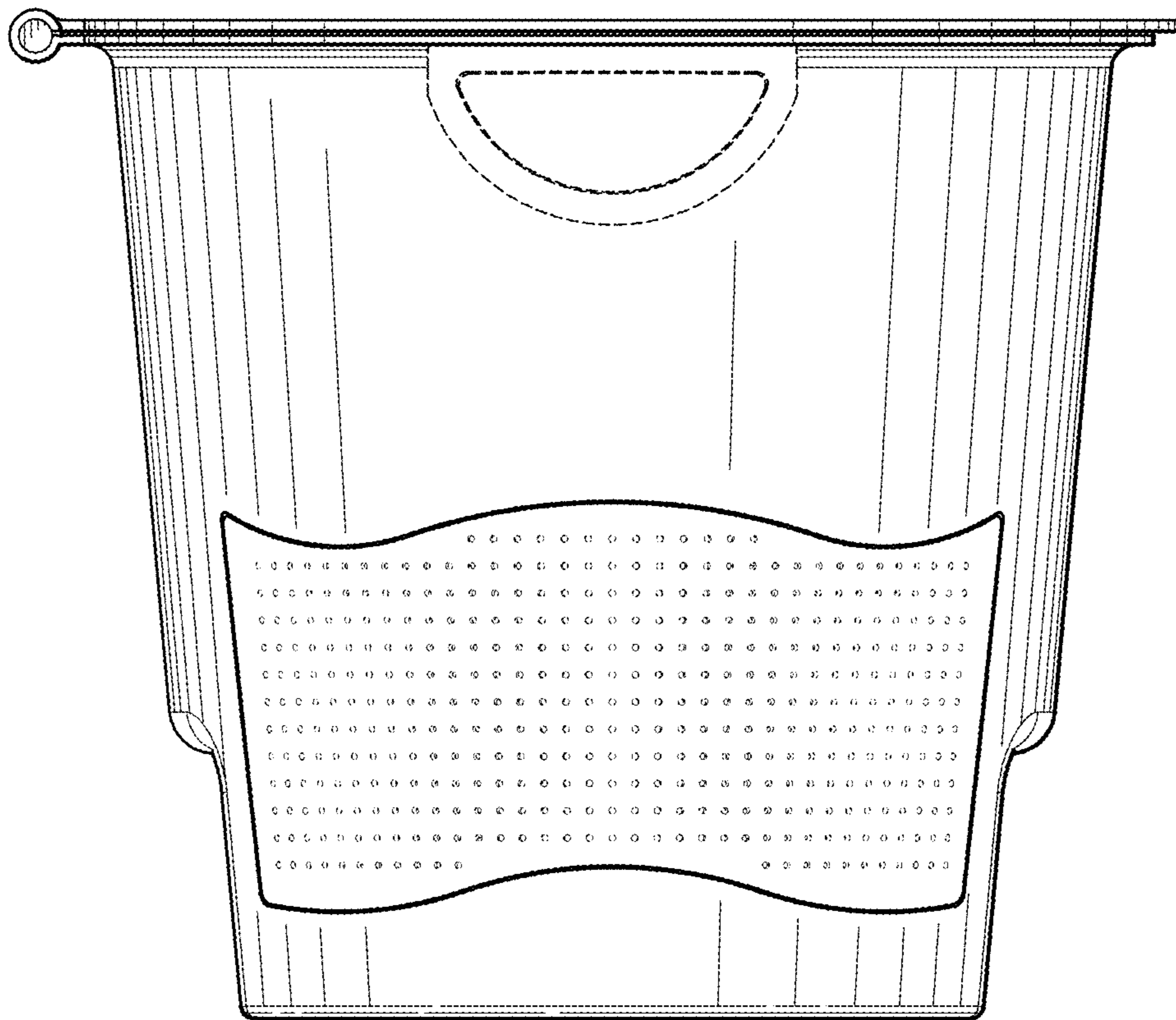


Fig. 4.

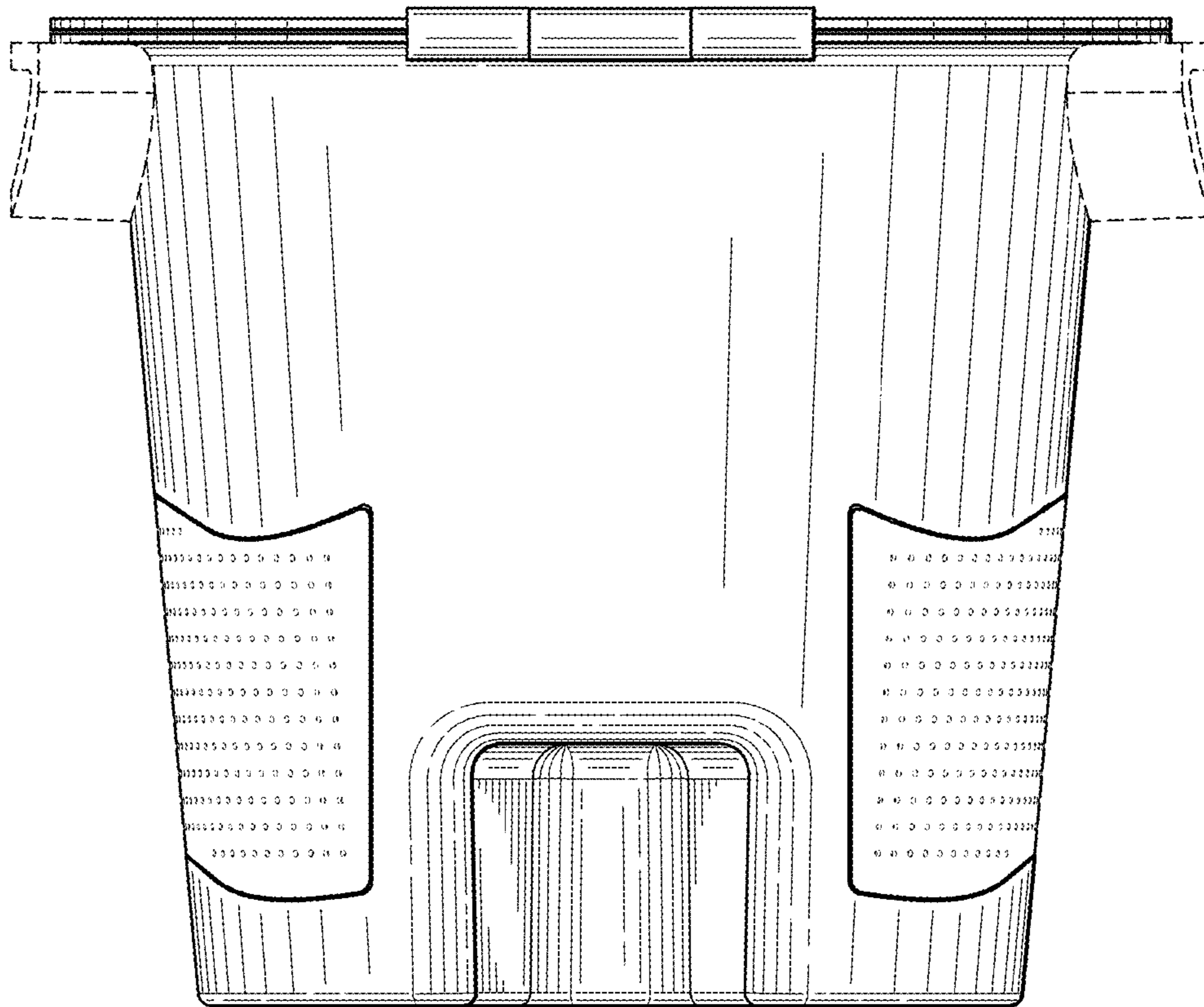


Fig. 5.

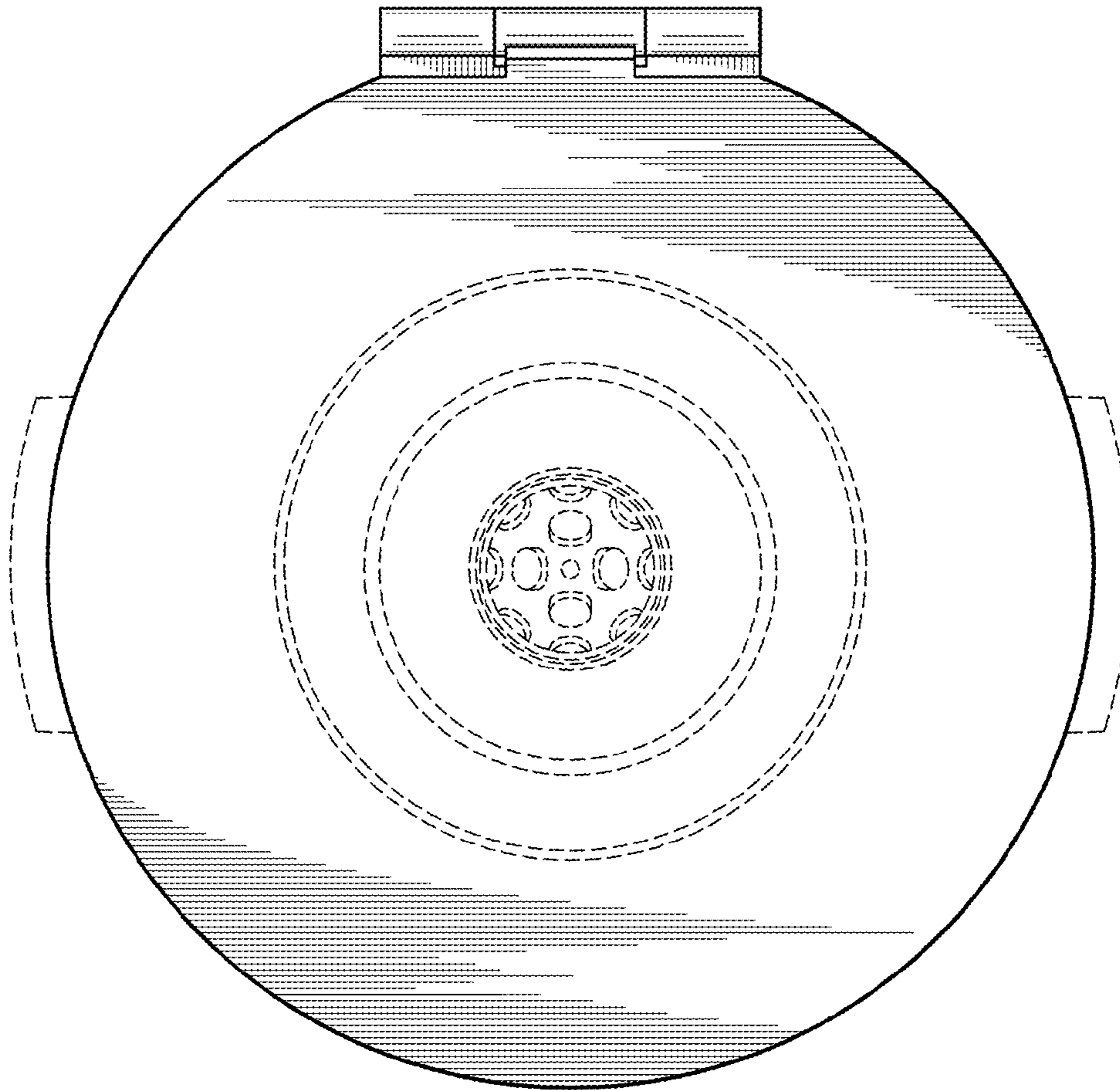


Fig. 6.

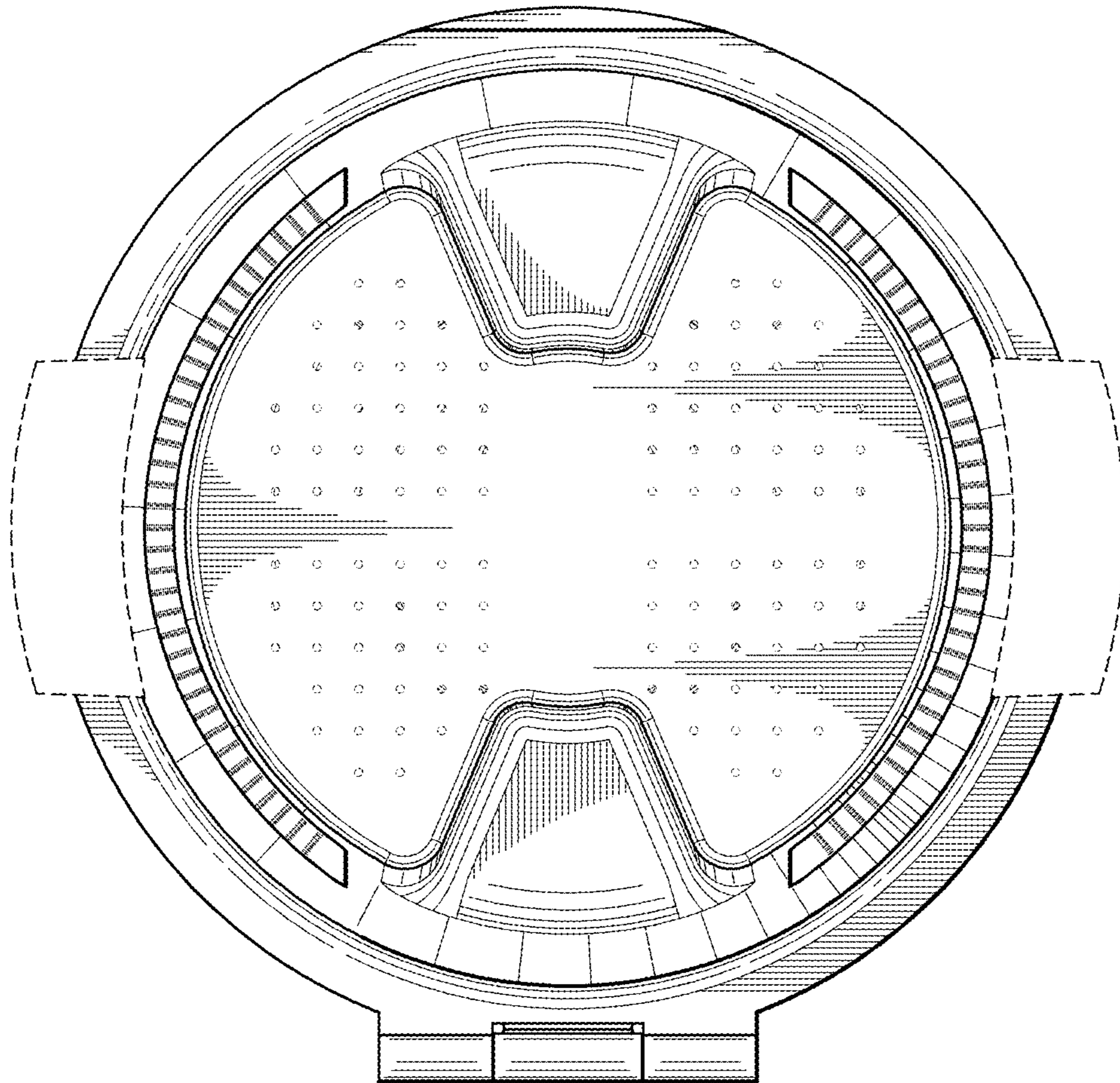


Fig. 7.