



US00D688094S

(12) **United States Design Patent**
Arnold et al.

(10) **Patent No.:** **US D688,094 S**

(45) **Date of Patent:** **** Aug. 20, 2013**

(54) **MUG HANDLE**

(75) Inventors: **Kent M. Arnold**, Cincinnati, OH (US);
Troy Cooksey, Cincinnati, OH (US)

(73) Assignee: **Broodle Brands, LLC**, Cincinnati, OH (US)

(**) Term: **14 Years**

(21) Appl. No.: **29/412,992**

(22) Filed: **Feb. 9, 2012**

(51) **LOC (9) Cl.** **07-02**

(52) **U.S. Cl.**
USPC **D7/393**

(58) **Field of Classification Search**
USPC D7/500, 509–511, 523, 532, 533,
D7/538, 393, 394, 395, 396.2; D9/500;
220/703, 710.5, 711, 592.16, 592.17, 4.01;
215/387, 363

See application file for complete search history.

(56) **References Cited**

U.S. PATENT DOCUMENTS

D155,439	S	*	10/1949	Muller-Munk	D7/393
D202,511	S	*	10/1965	Ziskin	D7/394
3,964,631	A		6/1976	Albert		
3,972,443	A		8/1976	Albert		
5,036,993	A		8/1991	Ramsey		
5,148,936	A		9/1992	DeGrow		
5,294,014	A		3/1994	Wyatt et al.		
5,307,950	A		5/1994	Li		
D398,815	S	*	9/1998	Hatsumoto et al.	D7/533
6,098,834	A		8/2000	Hatsumoto et al.		
D462,875	S	*	9/2002	Norris et al.	D7/533
D481,591	S	*	11/2003	Lin	D7/533
D482,933	S	*	12/2003	Norris et al.	D7/533
D483,615	S	*	12/2003	Norris et al.	D7/533
D526,159	S	*	8/2006	Schmidt	D7/393
D554,435	S	*	11/2007	Carreno et al.	D7/533

D563,168	S	*	3/2008	Gibbons et al.	D7/510
D593,790	S	*	6/2009	Lin	D7/318
D621,208	S	*	8/2010	Gilbert et al.	D7/394
D623,011	S	*	9/2010	Gilbert et al.	D7/394
2006/0283859	A1		12/2006	Lu		
2009/0057324	A1		3/2009	Wu		

OTHER PUBLICATIONS

U.S. Appl. No. 13/227,914, filed Sep. 8, 2011, Kent M. Arnold et al.
U.S. Appl. No. 13/369,926, filed Feb. 9, 2012, Kent M. Arnold et al.
U.S. Appl. No. 29/412,988, filed Feb. 9, 2012, Kent M. Arnold et al.
U.S. Appl. No. 29/412,993, filed Feb. 9, 2012, Kent M. Arnold et al.
U.S. Appl. No. 29/412,996, filed Feb. 9, 2012, Kent M. Arnold et al.
U.S. Appl. No. 13/841,093, filed Mar. 15, 2013, Kent M. Arnold.
U.S. Appl. No. 29/450,011, filed Mar. 15, 2013, Kent M. Arnold.

* cited by examiner

Primary Examiner — Cynthia M Chin

(74) *Attorney, Agent, or Firm* — Hasse & Nesbitt LLC; W. Charles Ehlers; Daniel F. Nesbitt

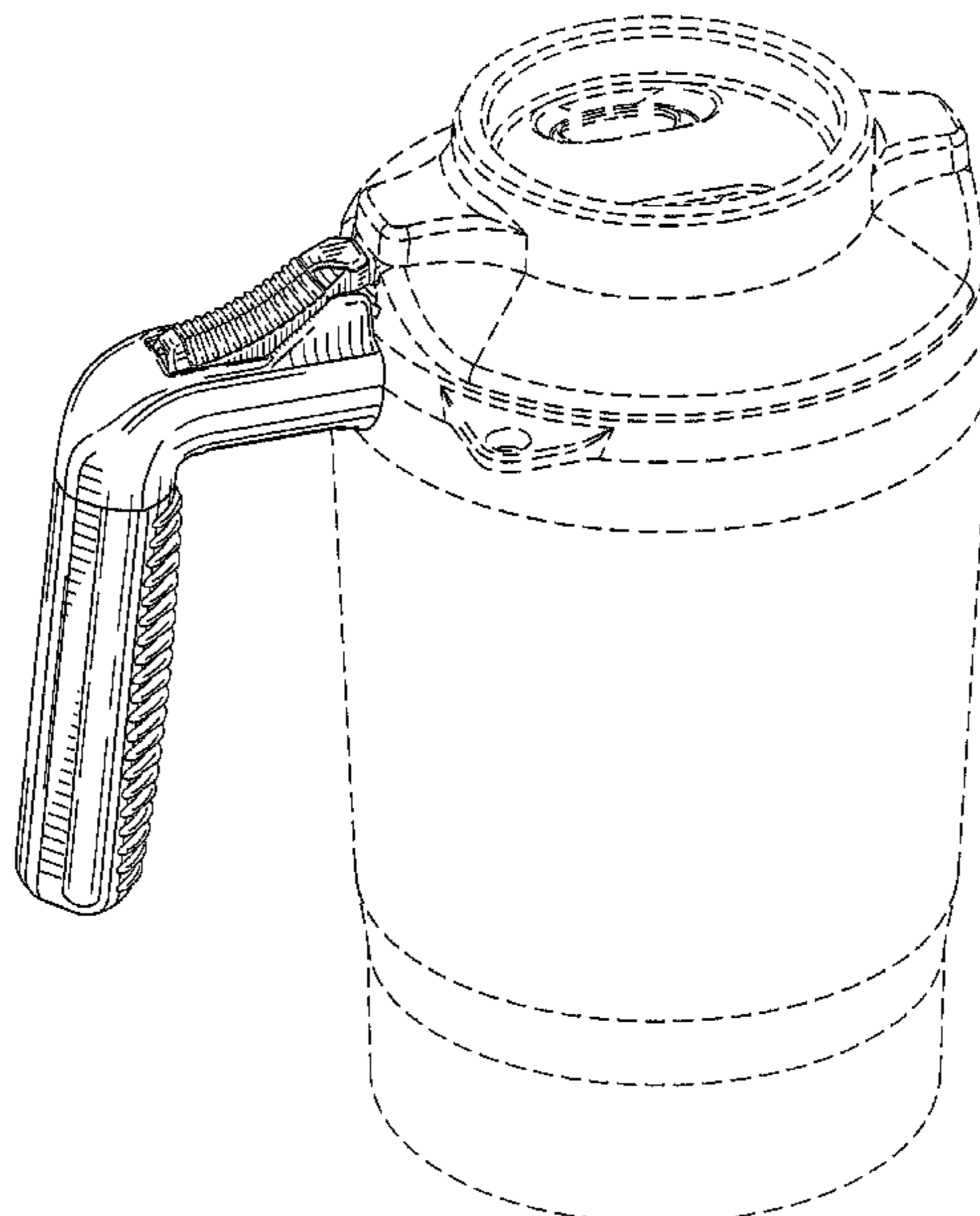
(57) **CLAIM**

We claim the ornamental design for a mug handle, as shown and described.

DESCRIPTION

FIG. 1 is a perspective view of the mug handle;
FIG. 2 is a left side elevation view thereof;
FIG. 3 is a front elevation view thereof;
FIG. 4 is a right side elevation view thereof;
FIG. 5 is a back elevation thereof;
FIG. 6 is a top view thereof; and,
FIG. 7 is a bottom view thereof.
The broken lines shown are included for the purpose of illustrating unclaimed portions of the article and form no part of the claimed design.

1 Claim, 7 Drawing Sheets



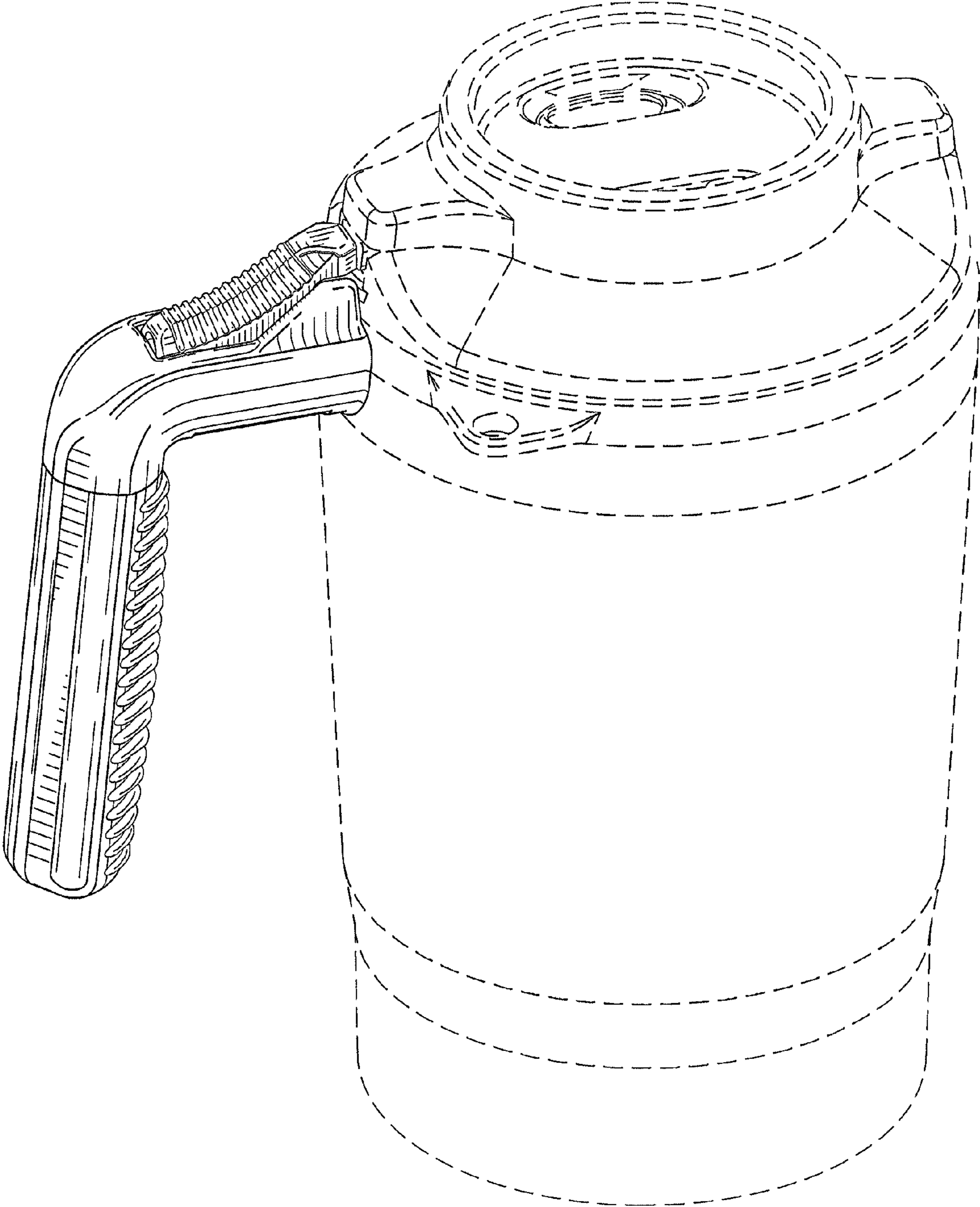


FIG. 1

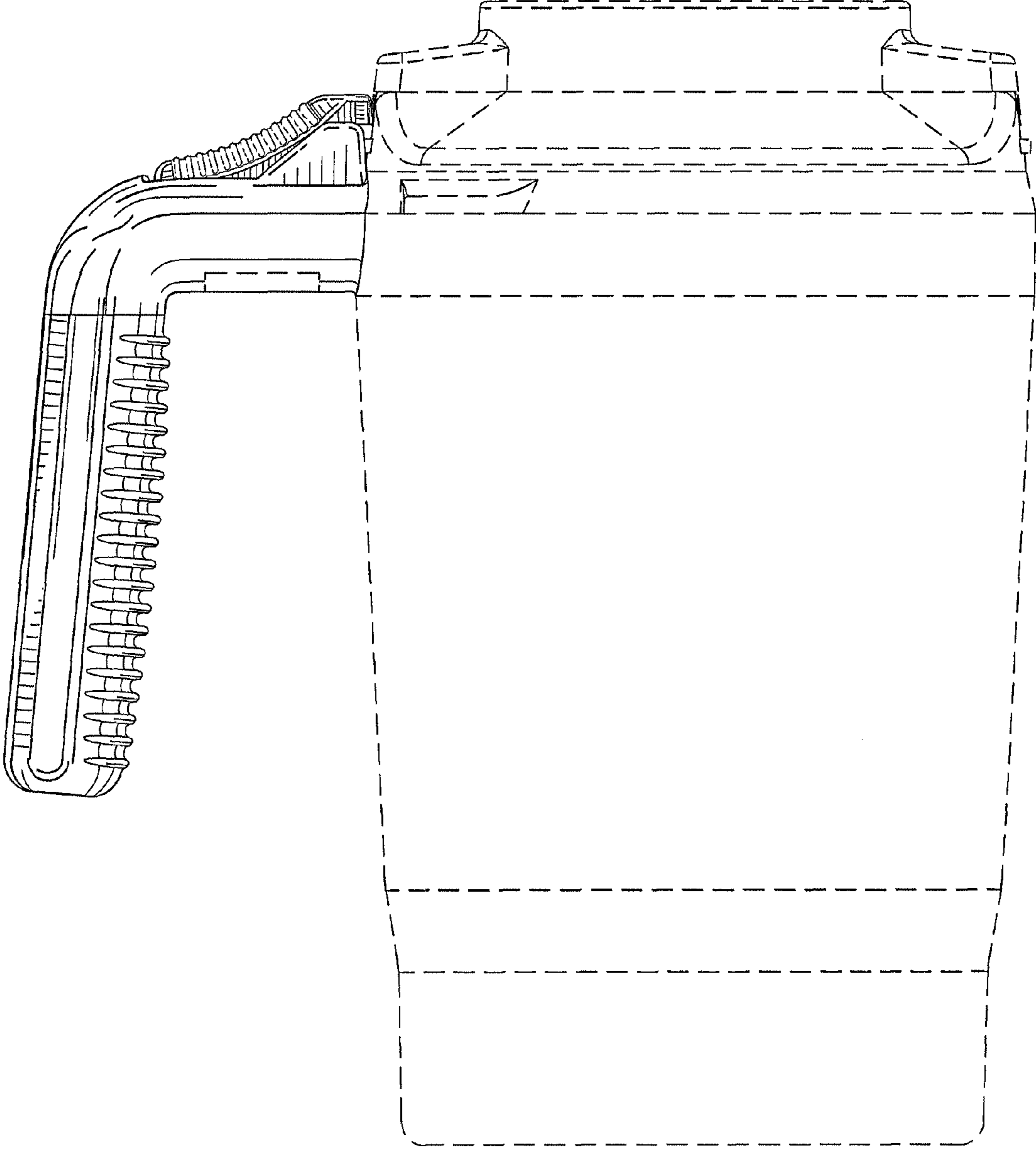


FIG. 2

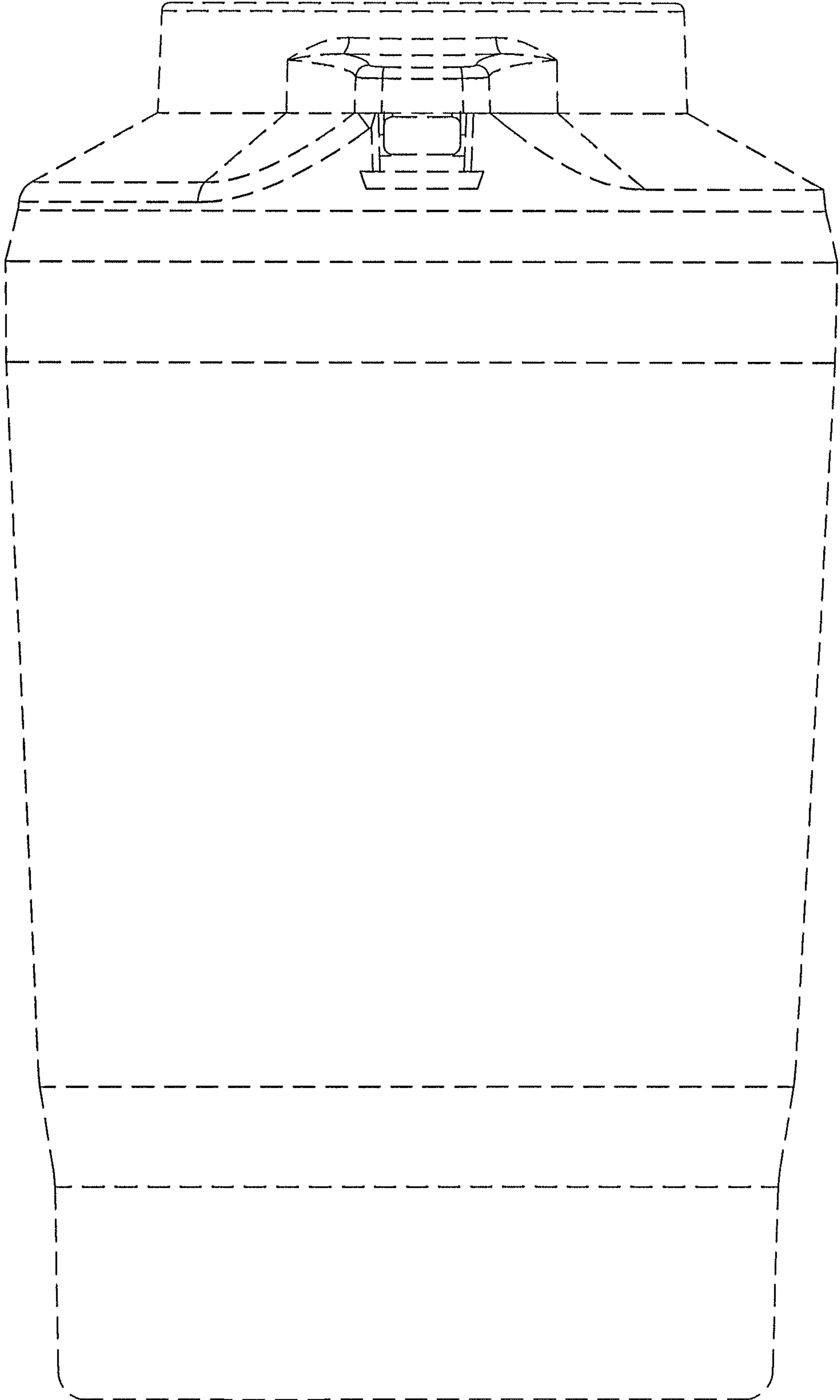


FIG. 3

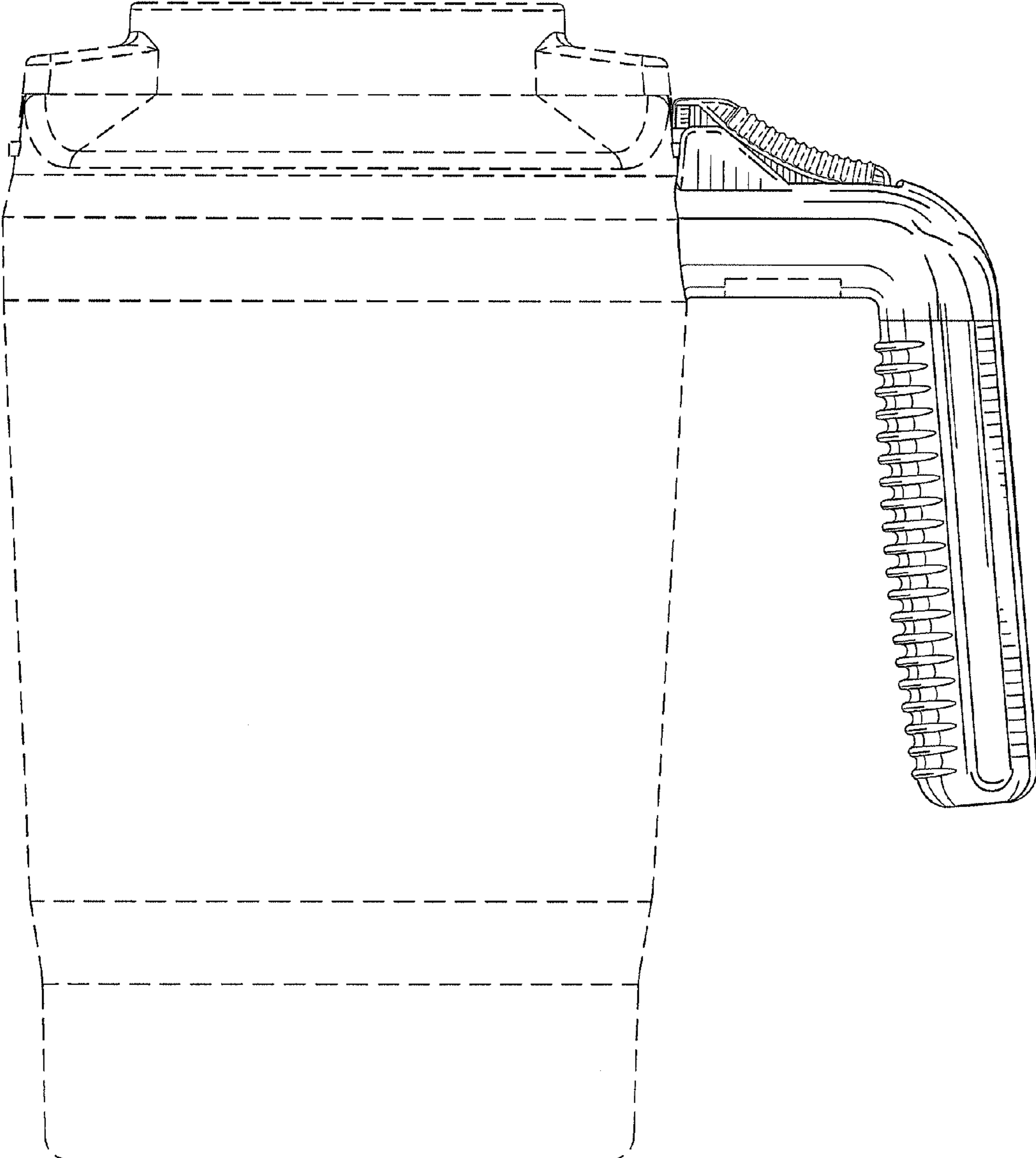


FIG. 4

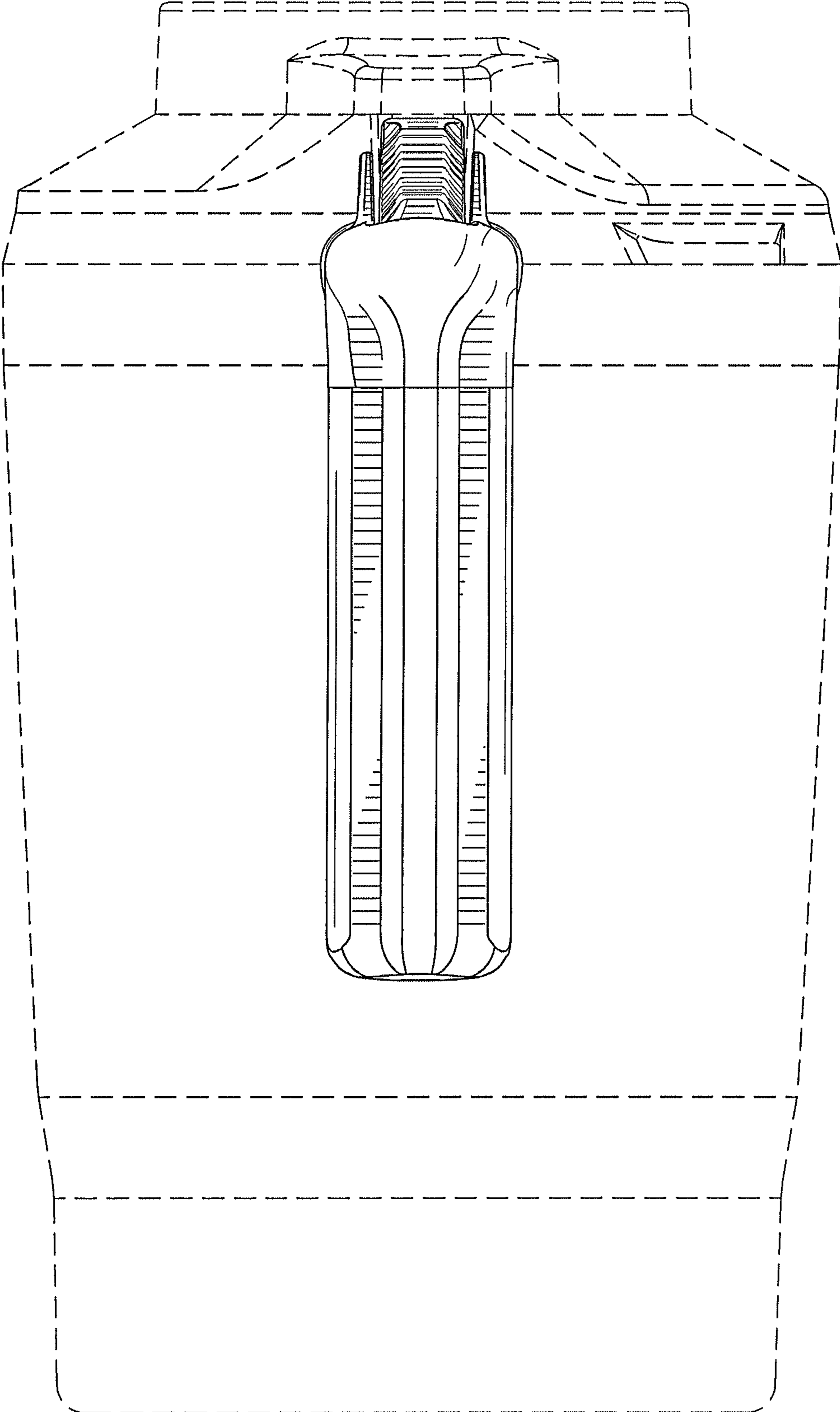


FIG. 5

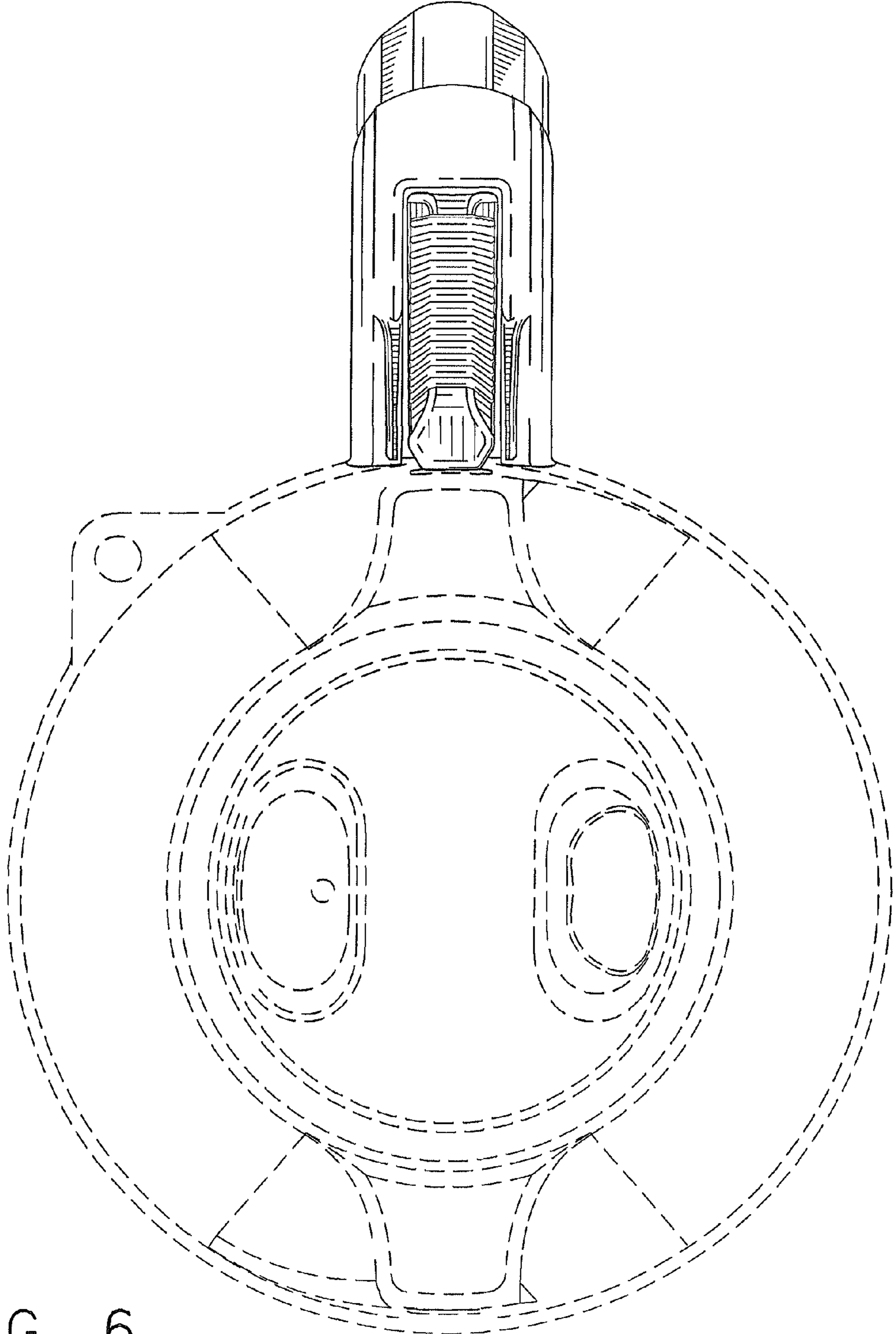


FIG. 6

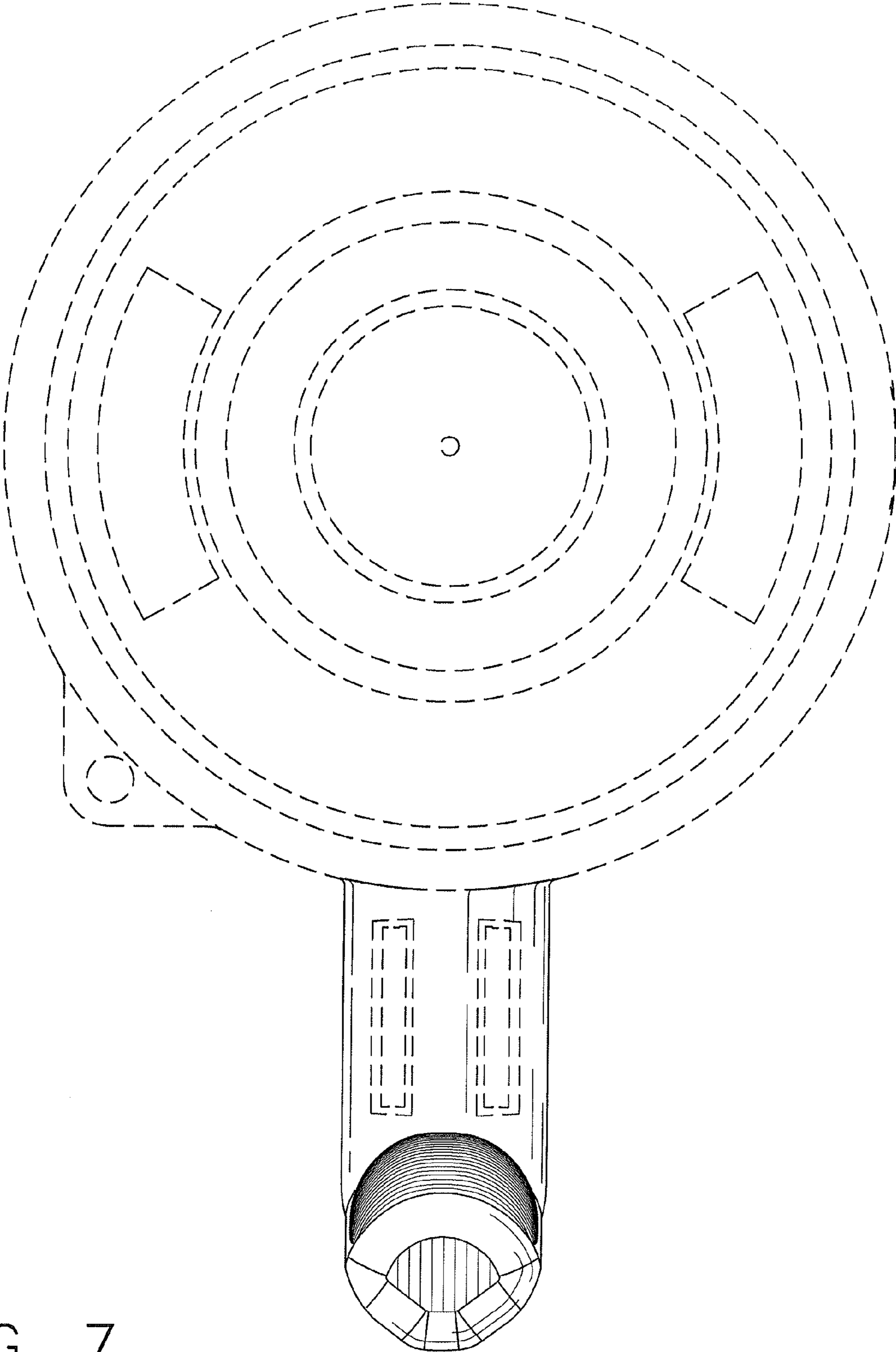


FIG. 7