



US00D688093S

(12) **United States Design Patent**
Roth et al.

(10) **Patent No.:** **US D688,093 S**

(45) **Date of Patent:** **** Aug. 20, 2013**

(54) **LID**

(75) Inventors: **Donna Roth**, Duxbury, MA (US); **John Mason**, Brockton, MA (US)

(73) Assignee: **Cool Gear Interntional, LLC**,
Plymouth, MA (US)

(**) Term: **14 Years**

(21) Appl. No.: **29/414,640**

(22) Filed: **Mar. 1, 2012**

(51) **LOC (9) Cl.** **07-02**

(52) **U.S. Cl.**
USPC **D7/392.1; D9/443; D9/447; D9/449;**
D9/450

(58) **Field of Classification Search**
USPC D7/391, 392, 392.1, 396.2, 509-511,
D7/523, 608, 900; D9/443, 446, 447, 449,
D9/450, 453, 505; 215/11.6, 44, 224, 229,
215/306, 311; 220/3.75, 23.83, 212.5, 292,
220/714, 705; 222/83, 420, 450, 530, 543
See application file for complete search history.

(56) **References Cited**

U.S. PATENT DOCUMENTS

3,907,179	A	*	9/1975	Pehr et al.	222/513
D351,761	S	*	10/1994	Feer	D7/510
D369,943	S	*	5/1996	Dark	D7/392.1
D393,569	S	*	4/1998	Lai et al.	D7/392
D518,335	S	*	4/2006	Naft et al.	D7/608
D543,776	S	*	6/2007	Yelland	D7/392.1
D584,566	S	*	1/2009	Fuller	D7/396.2
D592,905	S	*	5/2009	Pinelli et al.	D7/396.2
D592,913	S	*	5/2009	Pinelli et al.	D7/608
D604,565	S	*	11/2009	Roth et al.	D7/629
D626,837	S	*	11/2010	Meyers et al.	D9/443
D632,522	S	*	2/2011	Wahl et al.	D7/392.1

D634,161	S	*	3/2011	Roth et al.	D7/510
D634,972	S	*	3/2011	Staton	D7/392.1
D652,256	S	*	1/2012	Eyal	D7/510
D653,081	S	*	1/2012	George	D7/510
D657,618	S	*	4/2012	Wahl	D7/392.1
D669,732	S	*	10/2012	Hopkins et al.	D7/392.1
D669,733	S	*	10/2012	Jewett et al.	D7/392.1
D671,359	S	*	11/2012	Windmiller	D7/392.1
2008/0237233	A1	*	10/2008	Choi et al.	220/212.5

* cited by examiner

Primary Examiner — Susan E Krakower

(74) *Attorney, Agent, or Firm* — Edwards Wildman Palmer
LLP; Brian R. Landry; Alicia J. Esposito

(57) **CLAIM**

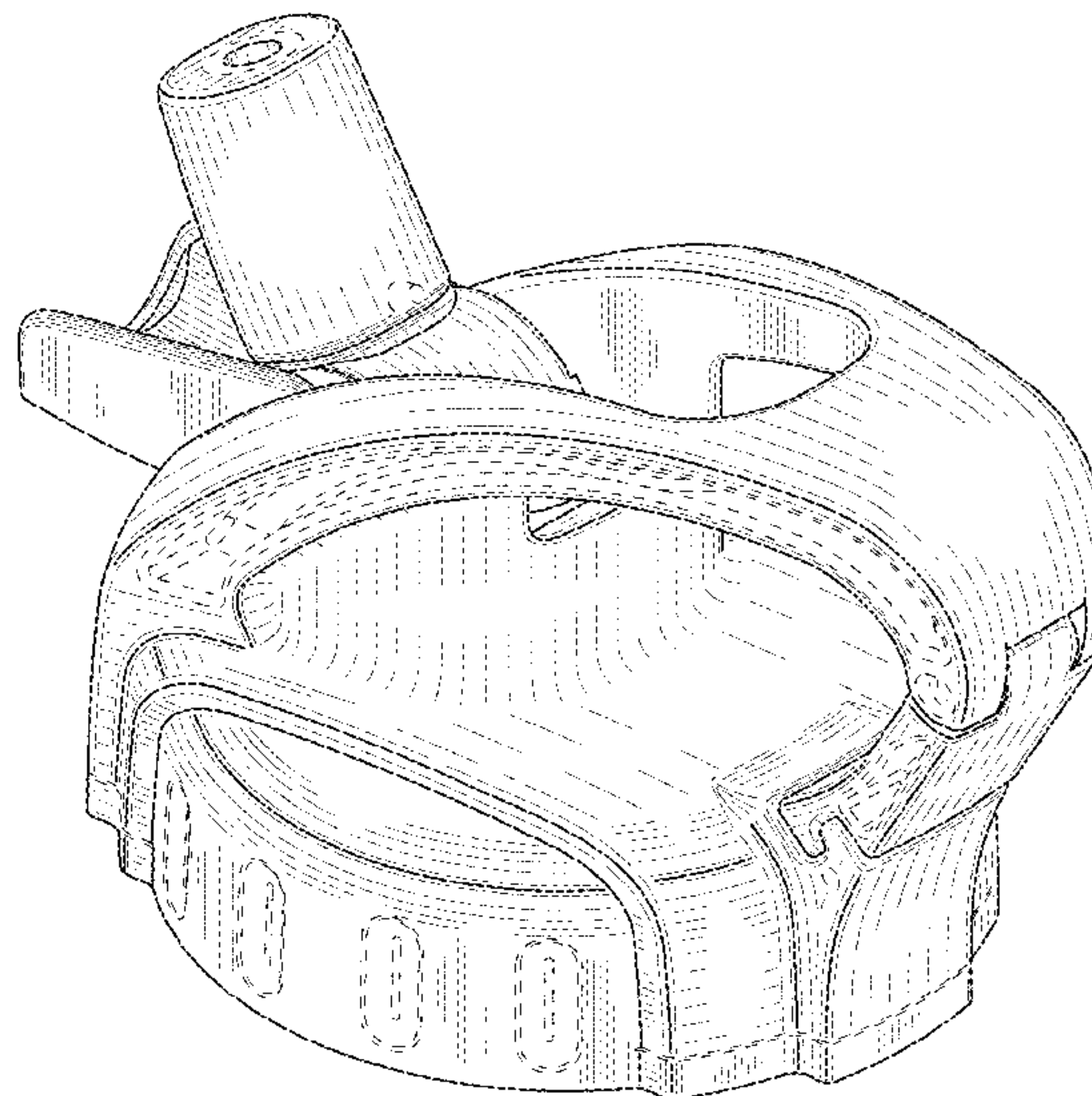
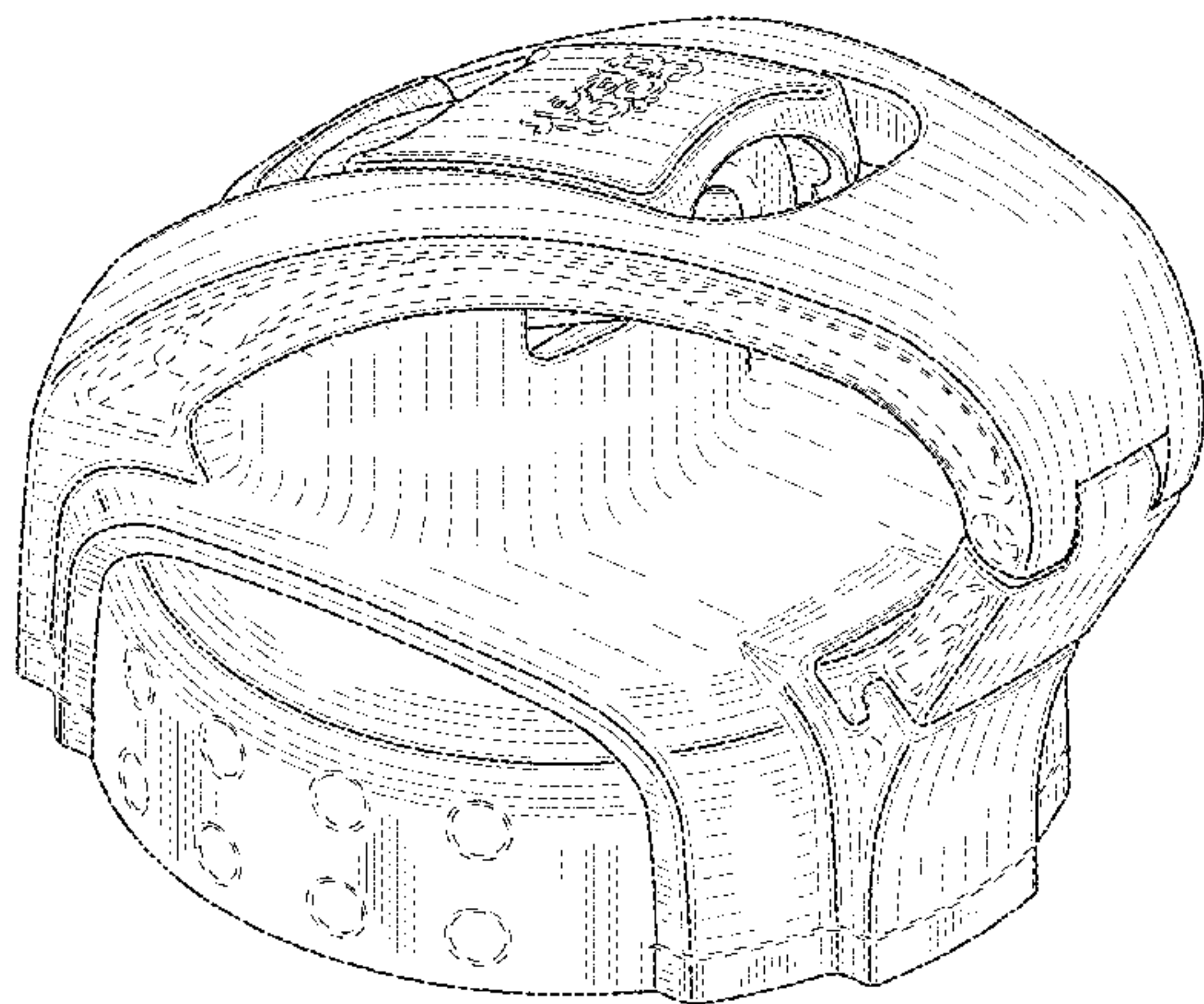
The ornamental design for a lid, as shown a and described.

DESCRIPTION

FIG. 1 is a perspective view of the top, front, and left side of a lid in a closed position;
 FIG. 2 is a back view thereof;
 FIG. 3 is a front view thereof;
 FIG. 4 is a right side view thereof;
 FIG. 5 is a left side view thereof;
 FIG. 6 is a bottom view thereof;
 FIG. 7 is a top view thereof;
 FIG. 8 is a perspective view of the top, front, and left side of the lid in an open position;
 FIG. 9 is a back view thereof;
 FIG. 10 is a front view thereof;
 FIG. 11 is a right side view thereof;
 FIG. 12 is a left side view thereof;
 FIG. 13 is a bottom view thereof; and,
 FIG. 14 is a top view thereof.

The broken lines shown in the drawings illustrate unclaimed portions of lid and form no part of the claimed design.

1 Claim, 8 Drawing Sheets



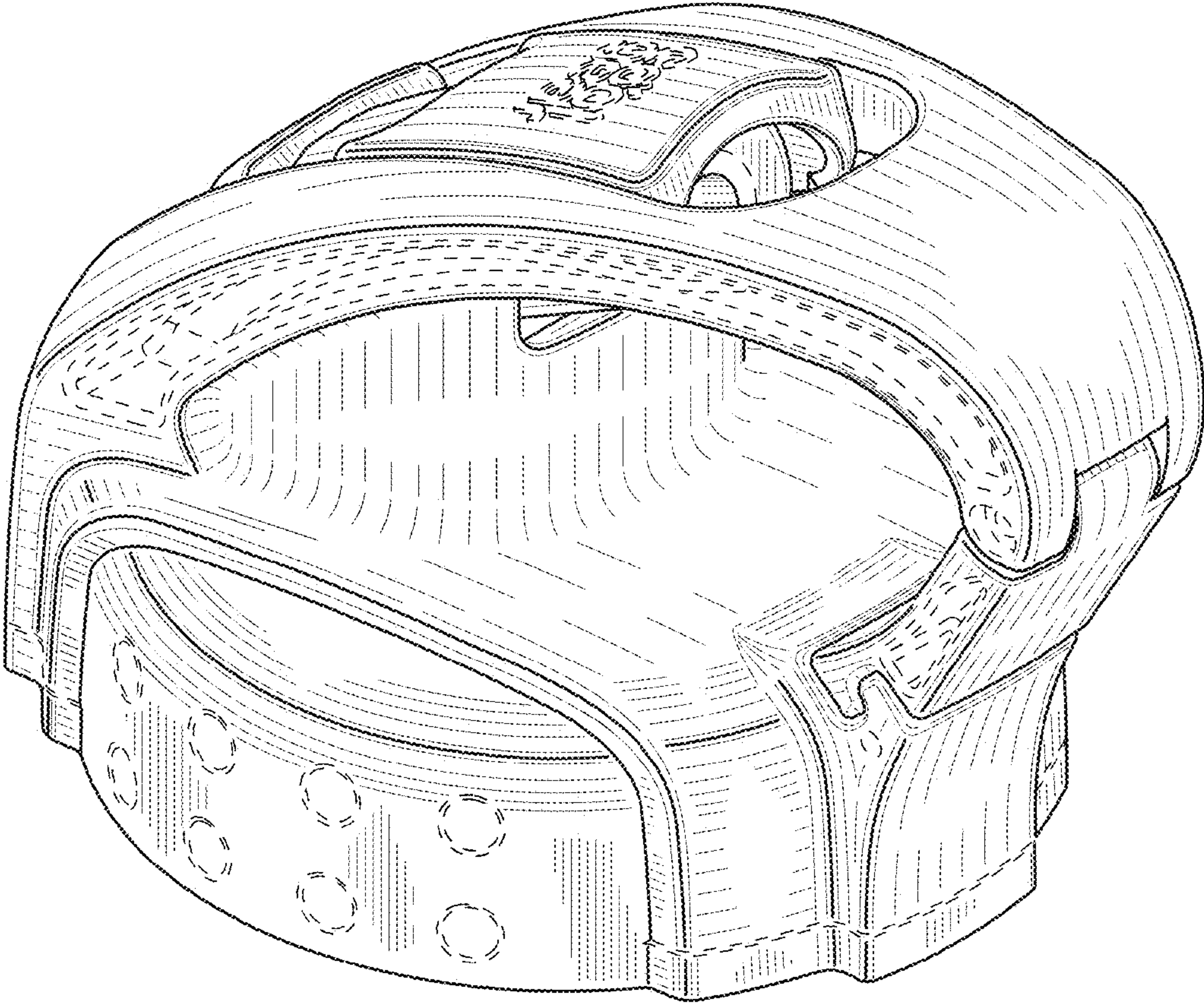


FIG. 1

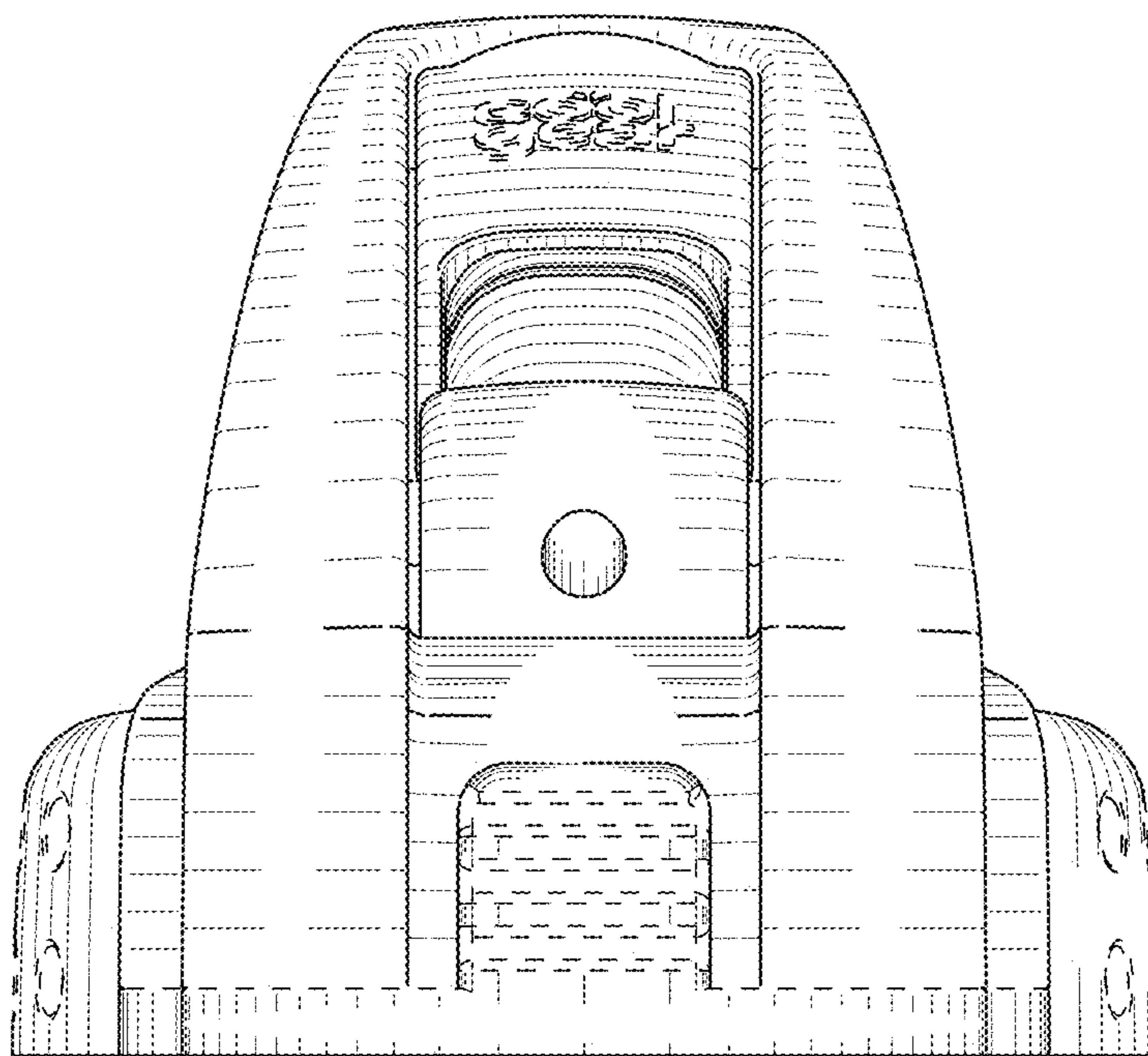


FIG. 2

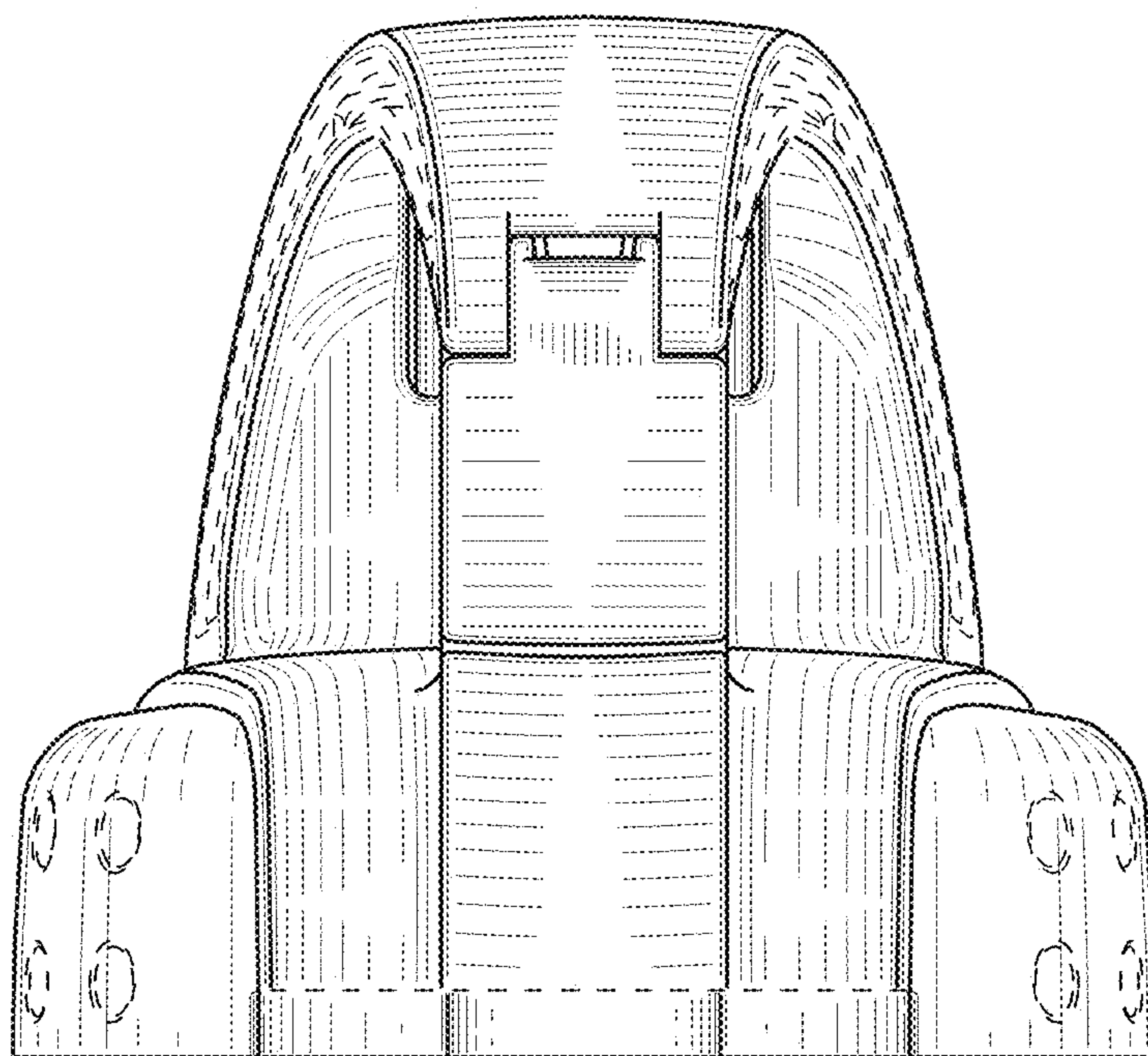


FIG. 3

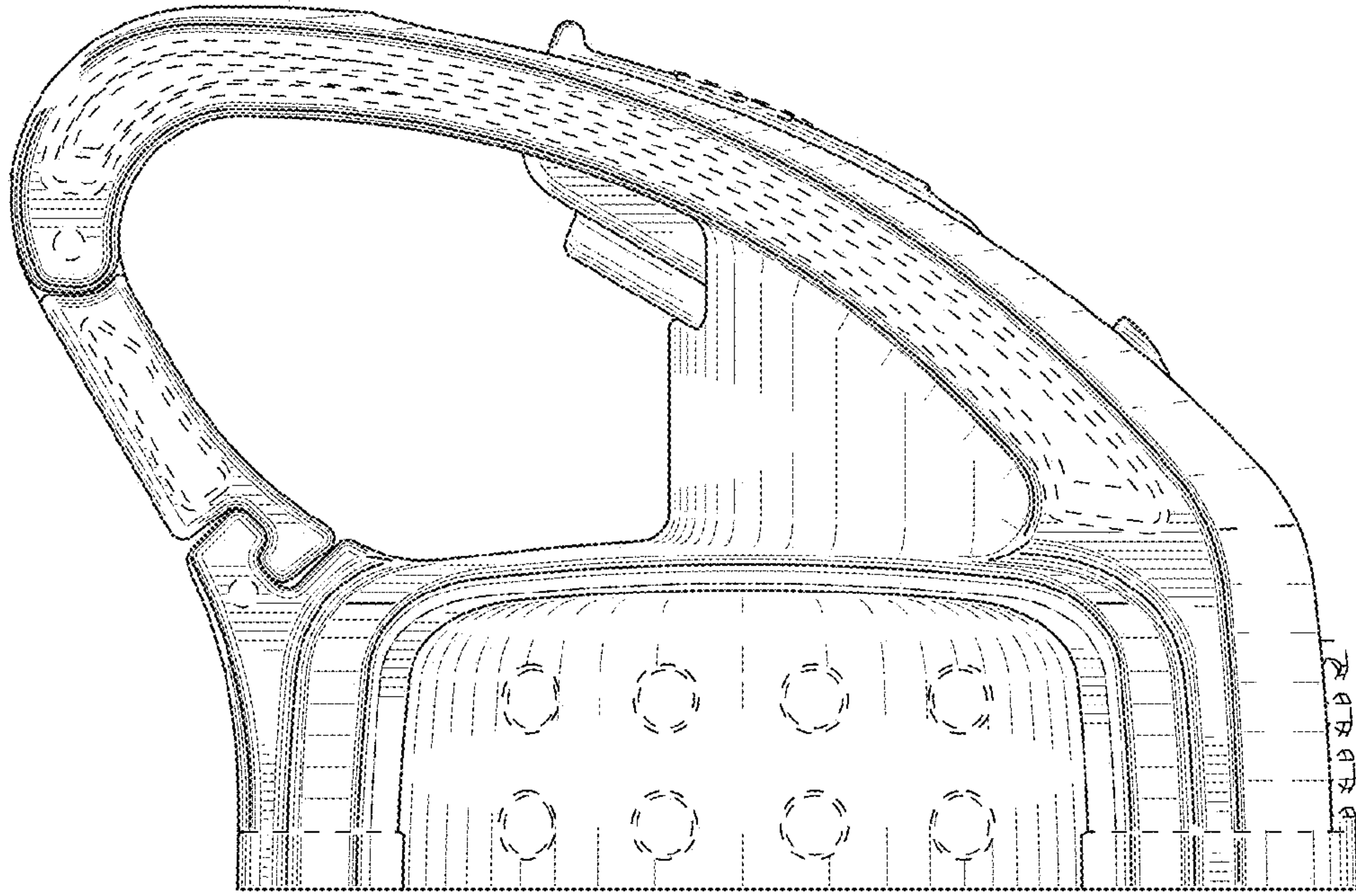


FIG. 4

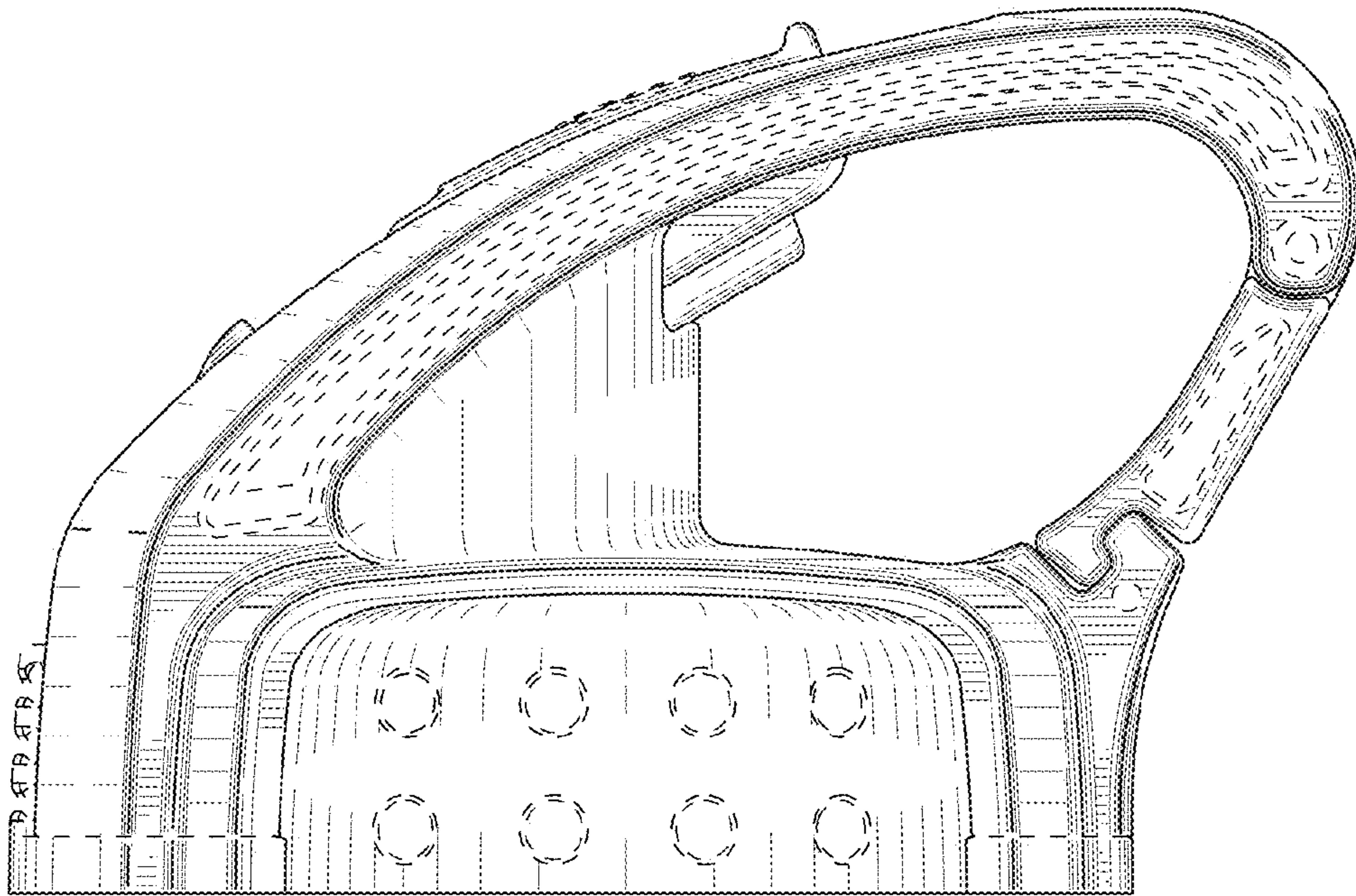


FIG. 5

FIG. 6

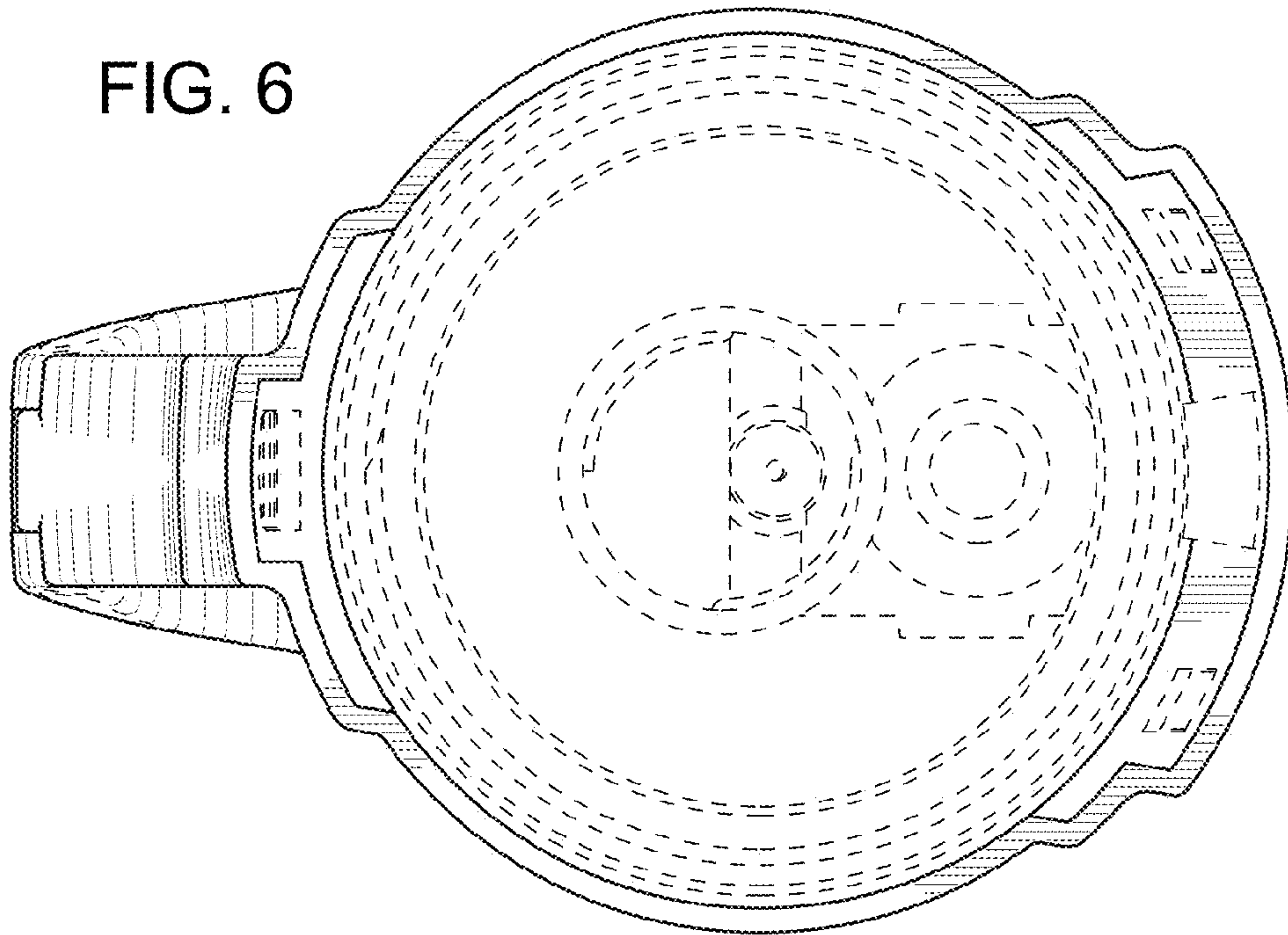
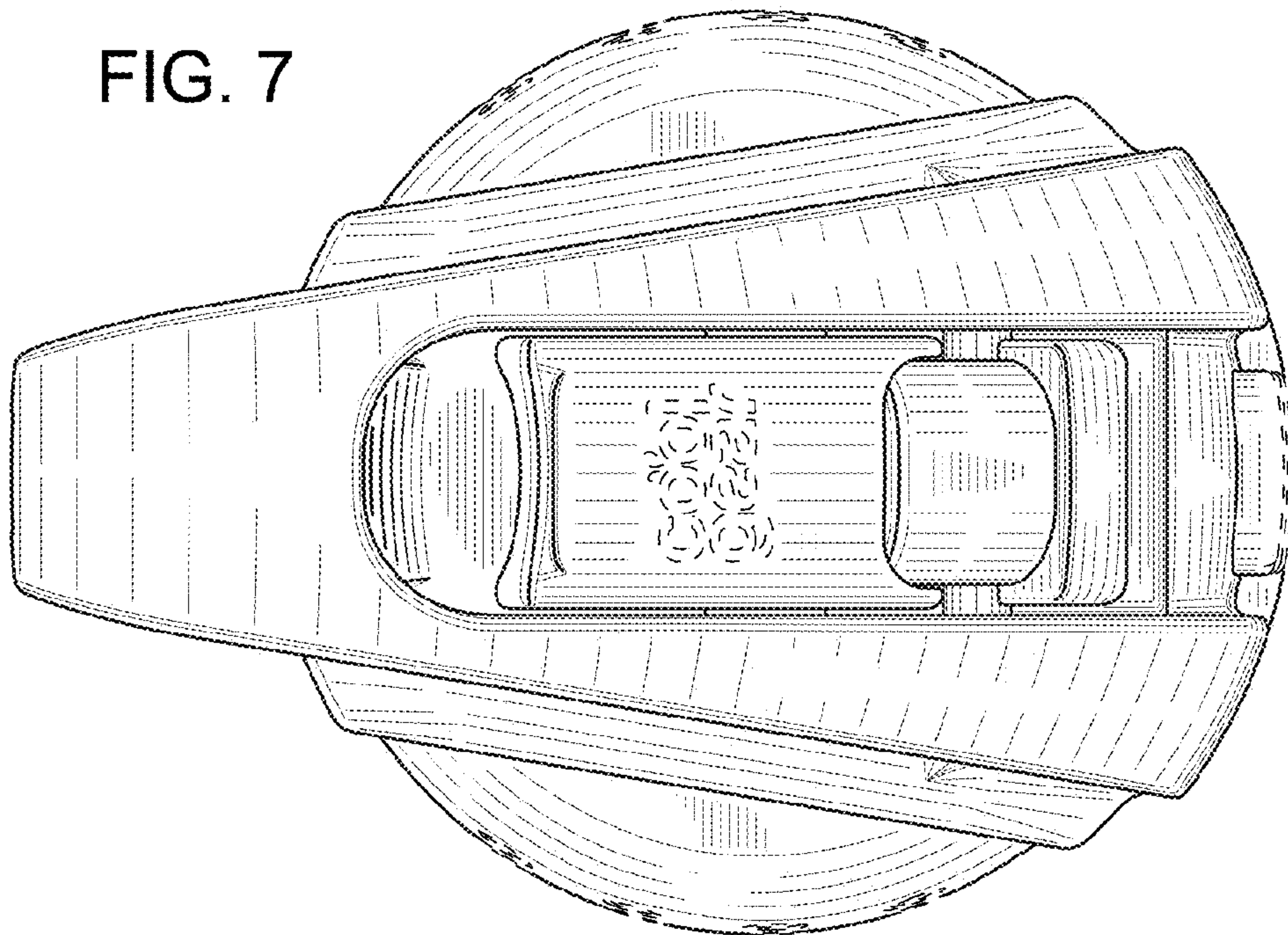


FIG. 7



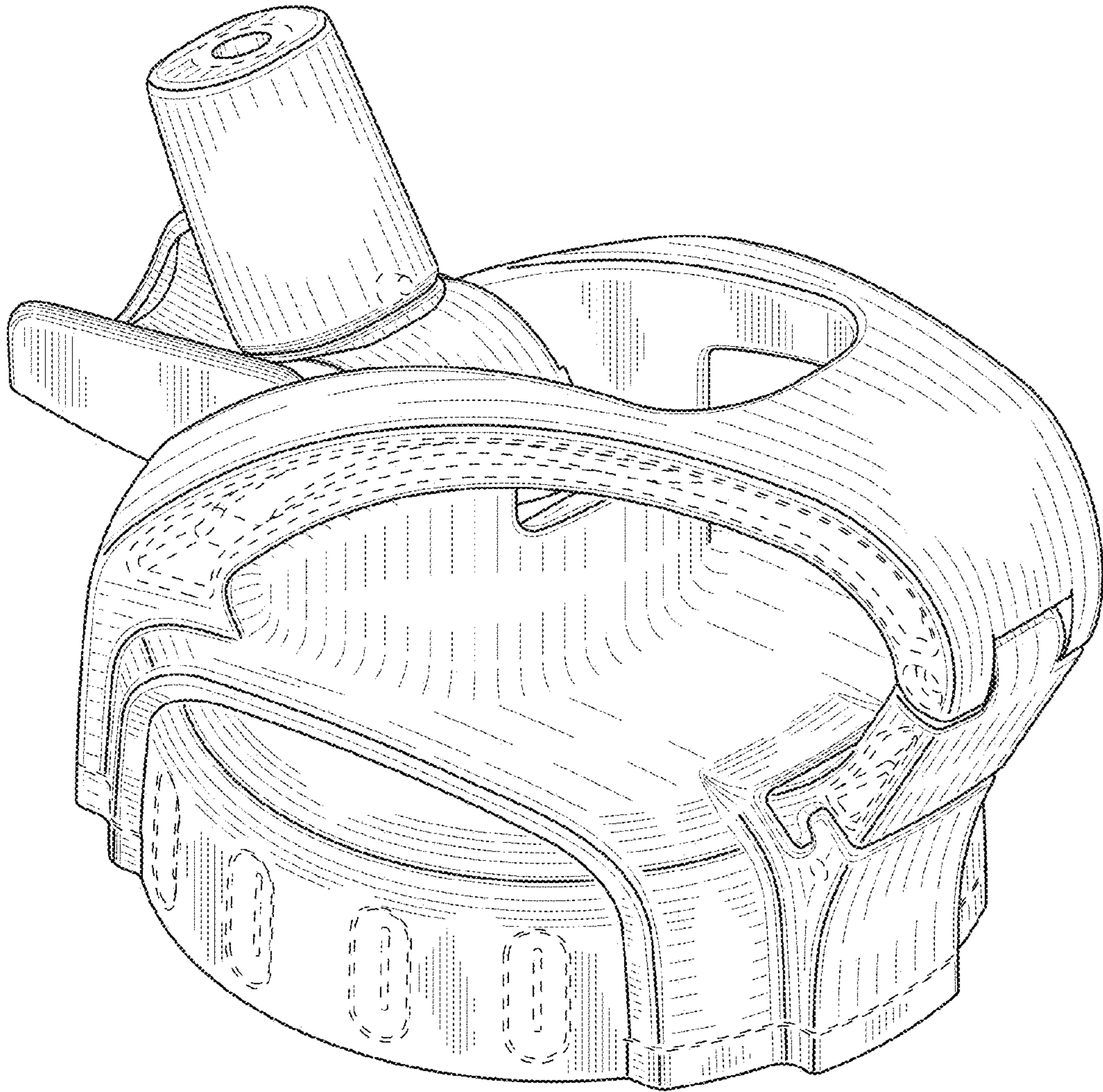


FIG. 8

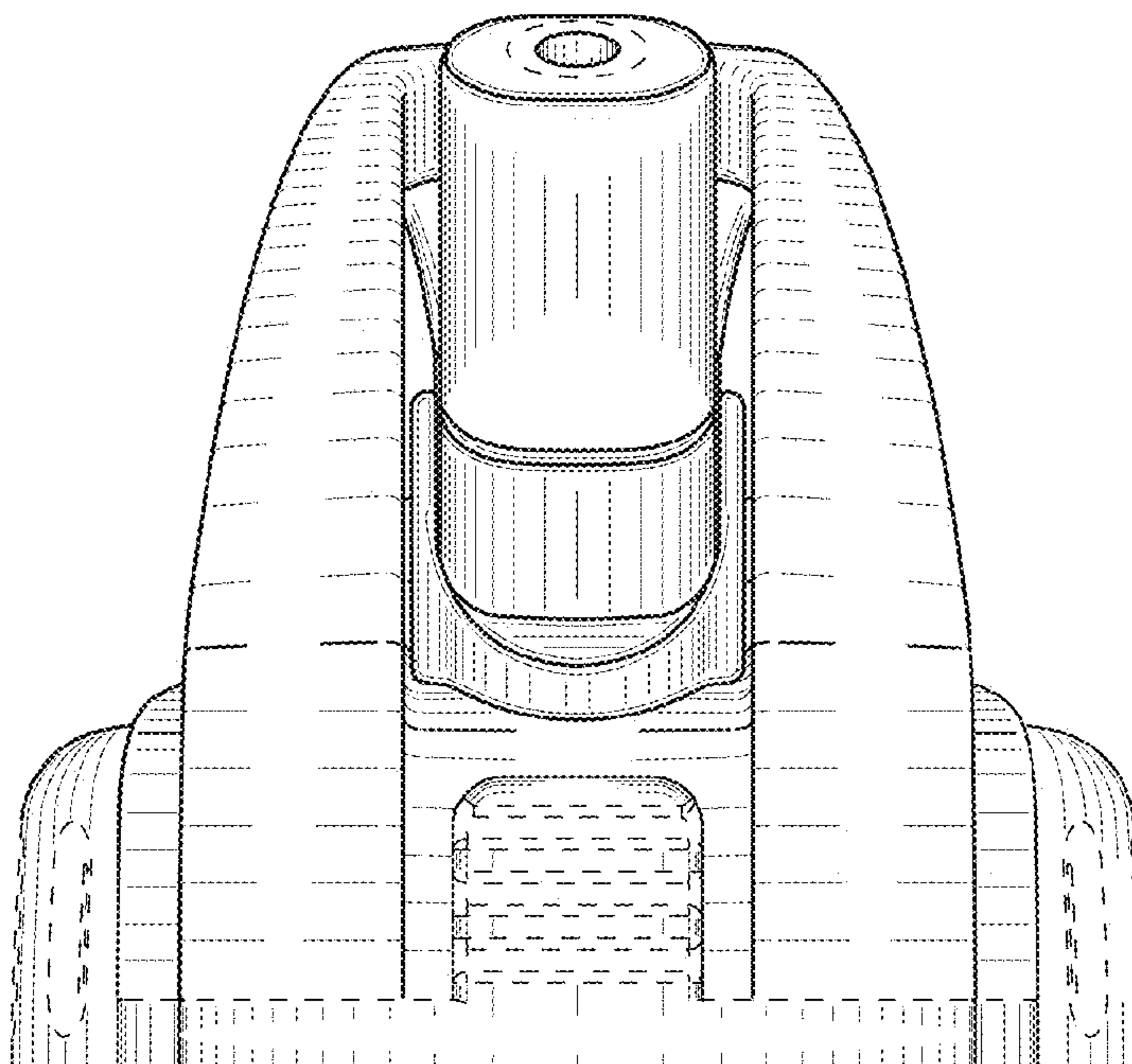


FIG. 9

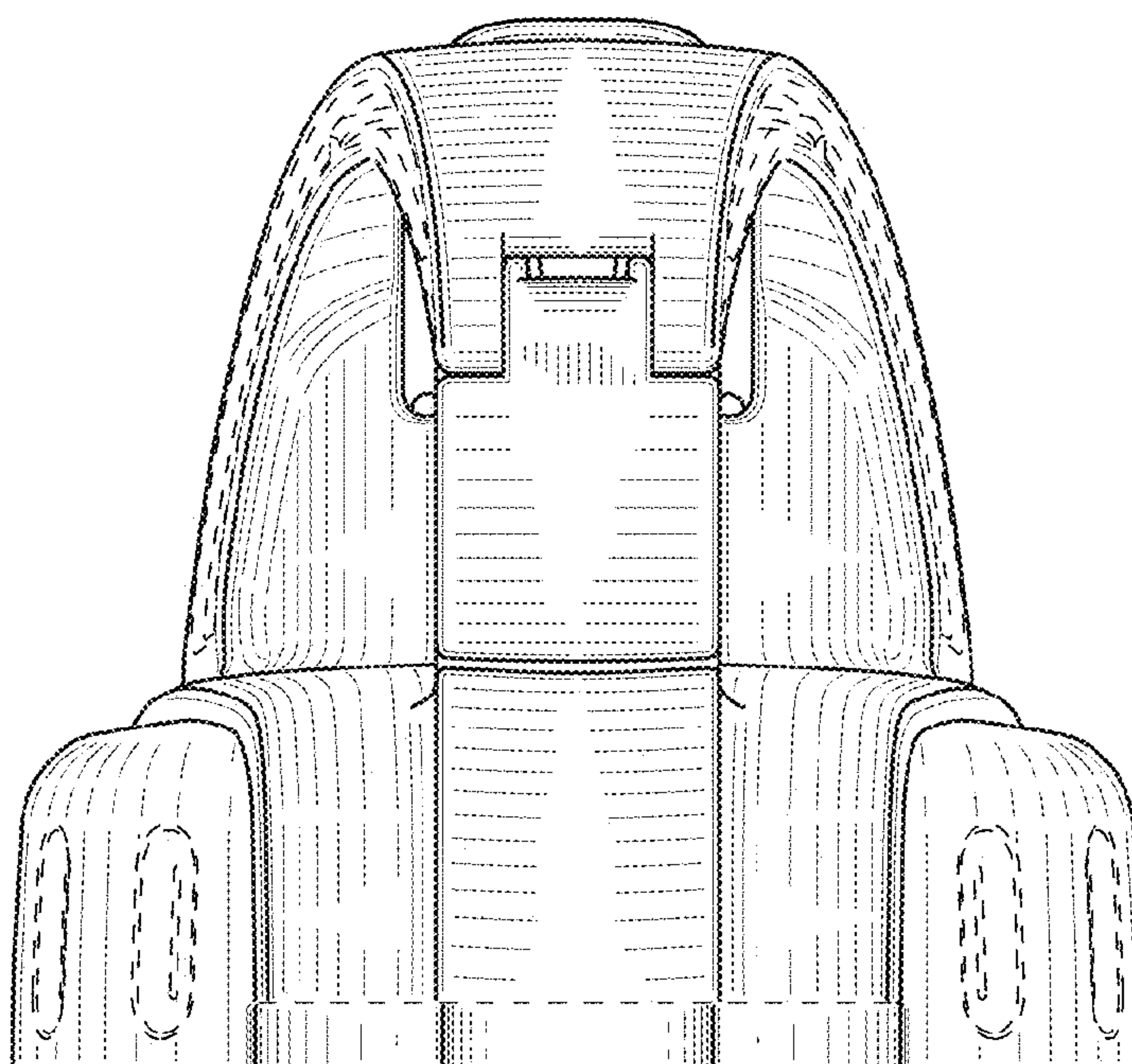


FIG. 10

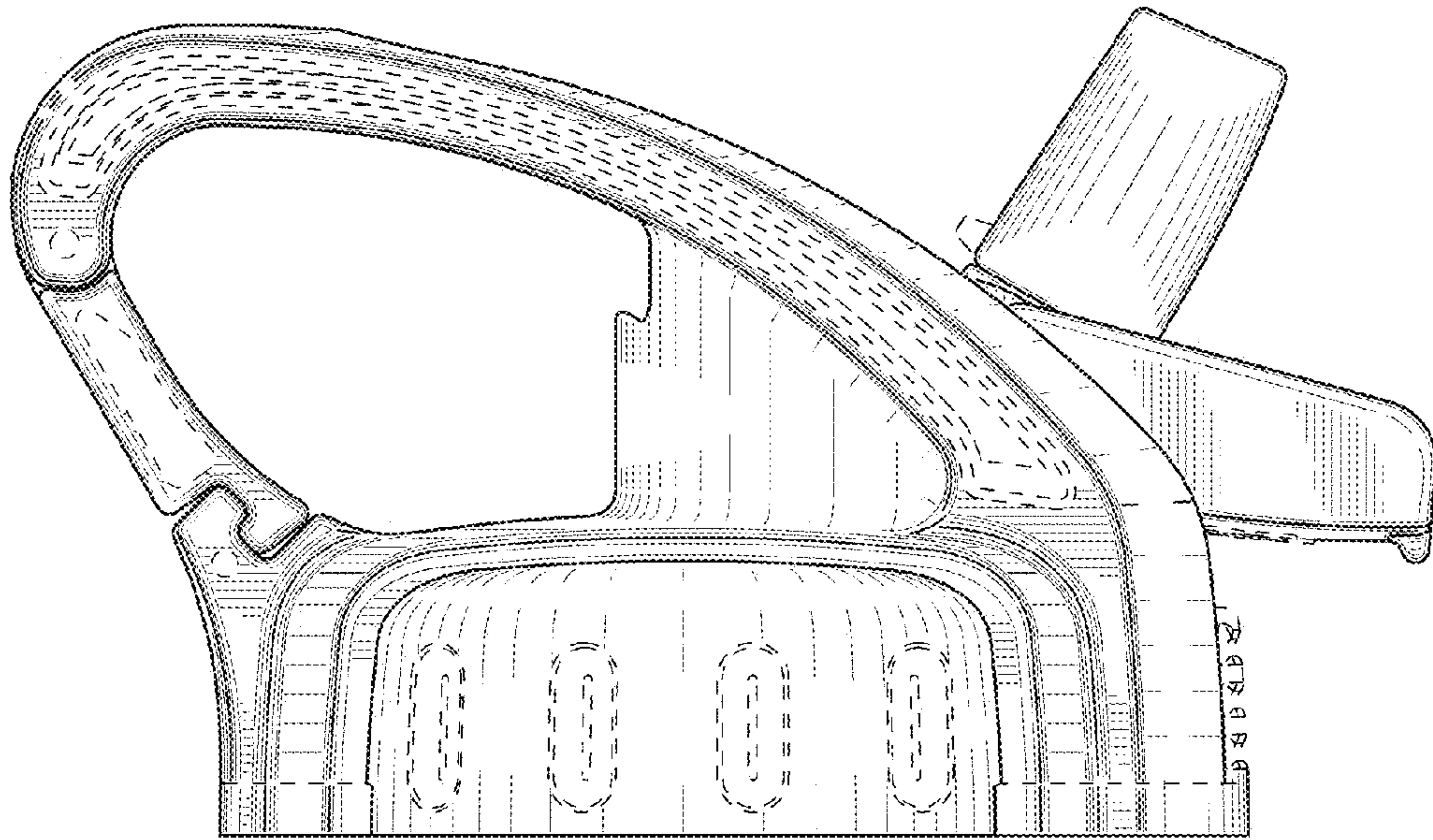


FIG. 11

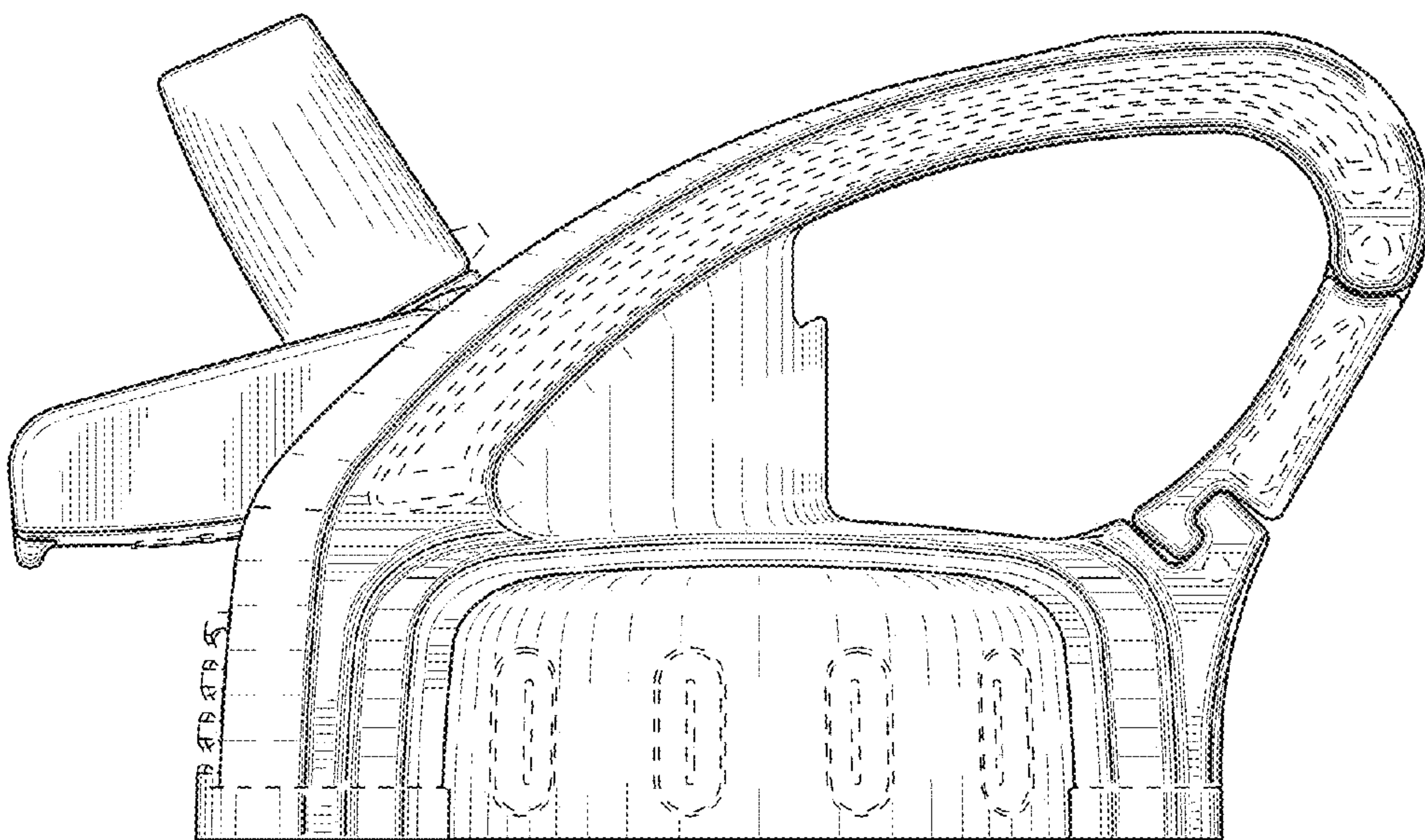


FIG. 12

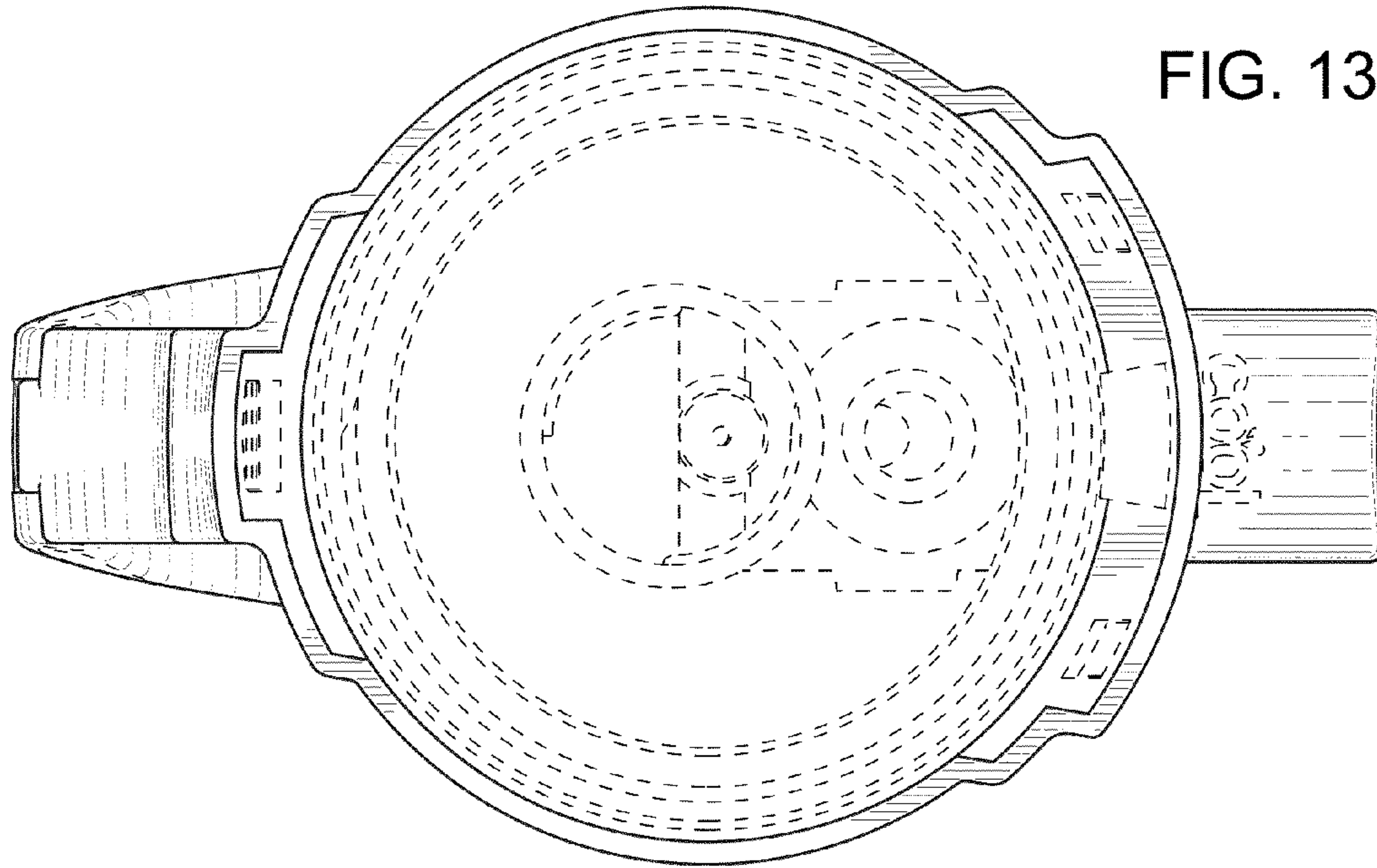


FIG. 13

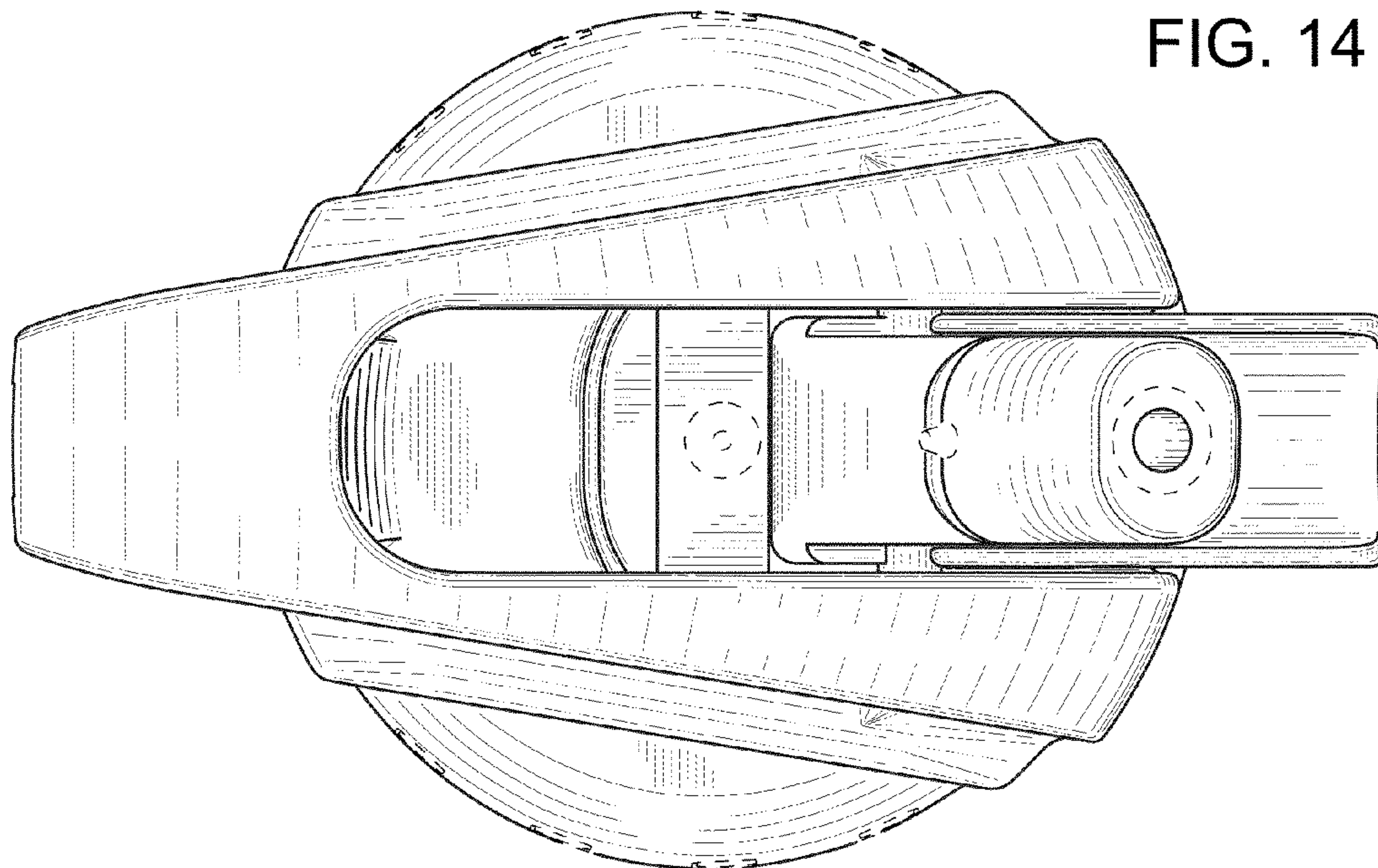


FIG. 14